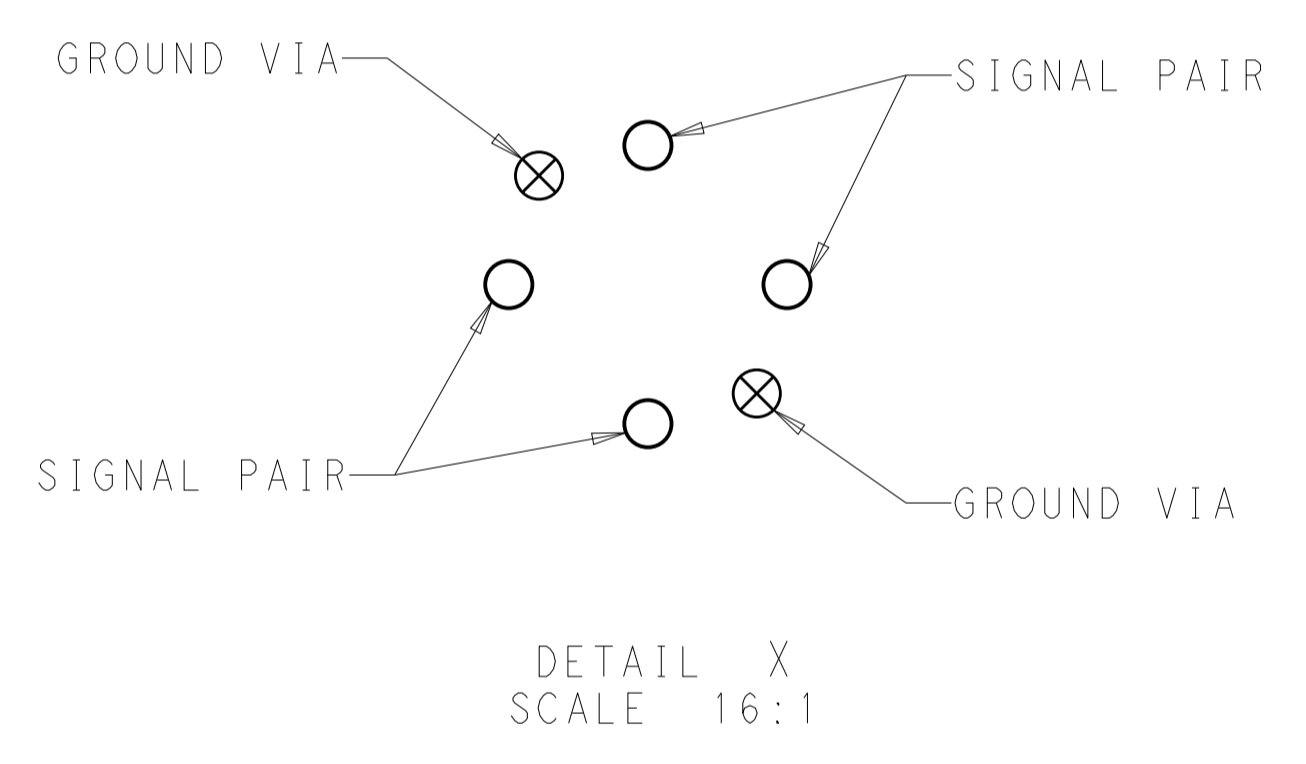
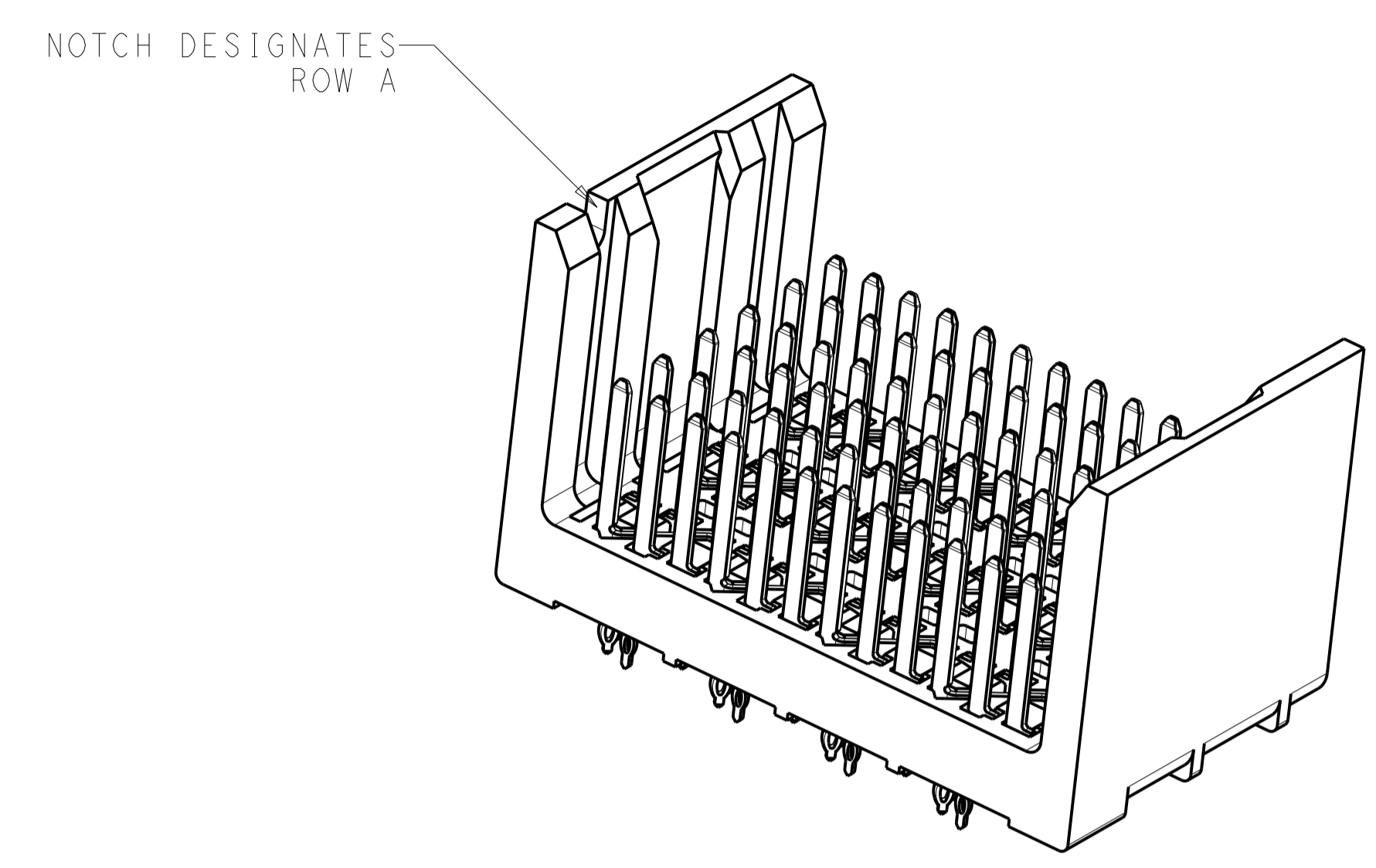
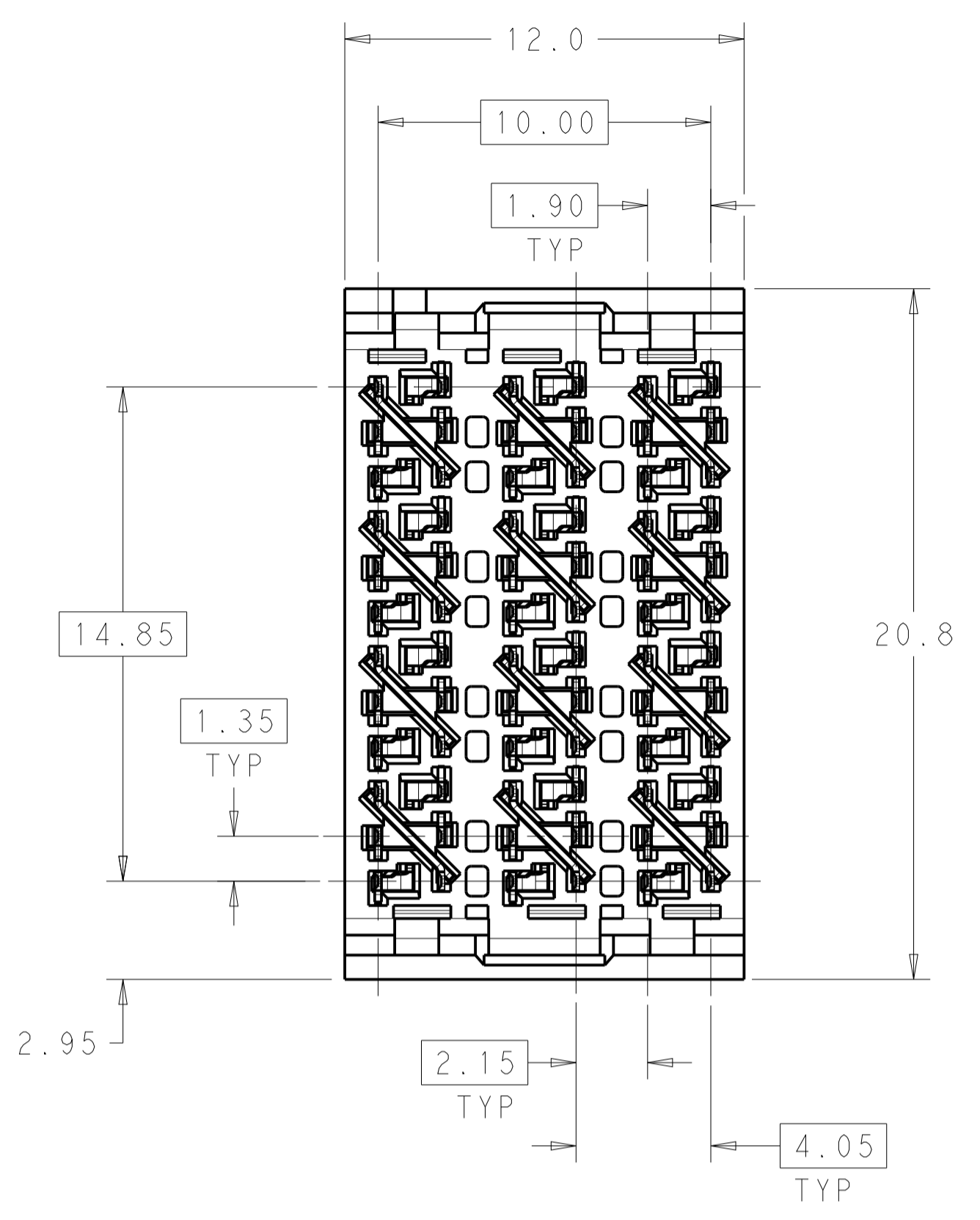
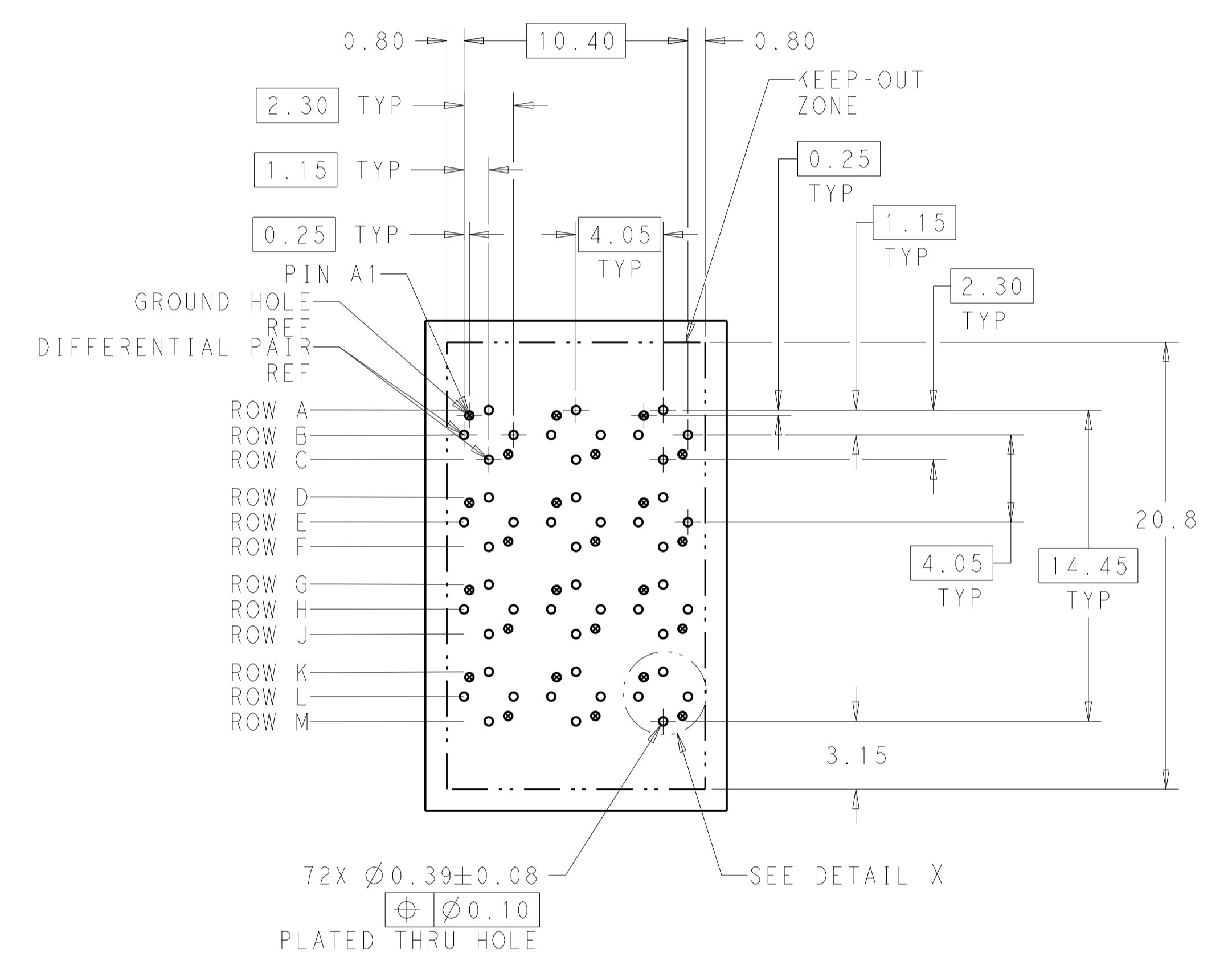


REVISIONS				
P.	LTM	DESCRIPTION	DATE	DWN APVD
C		REVISED PER ECO-14-013271	06SEP2014	AP DD



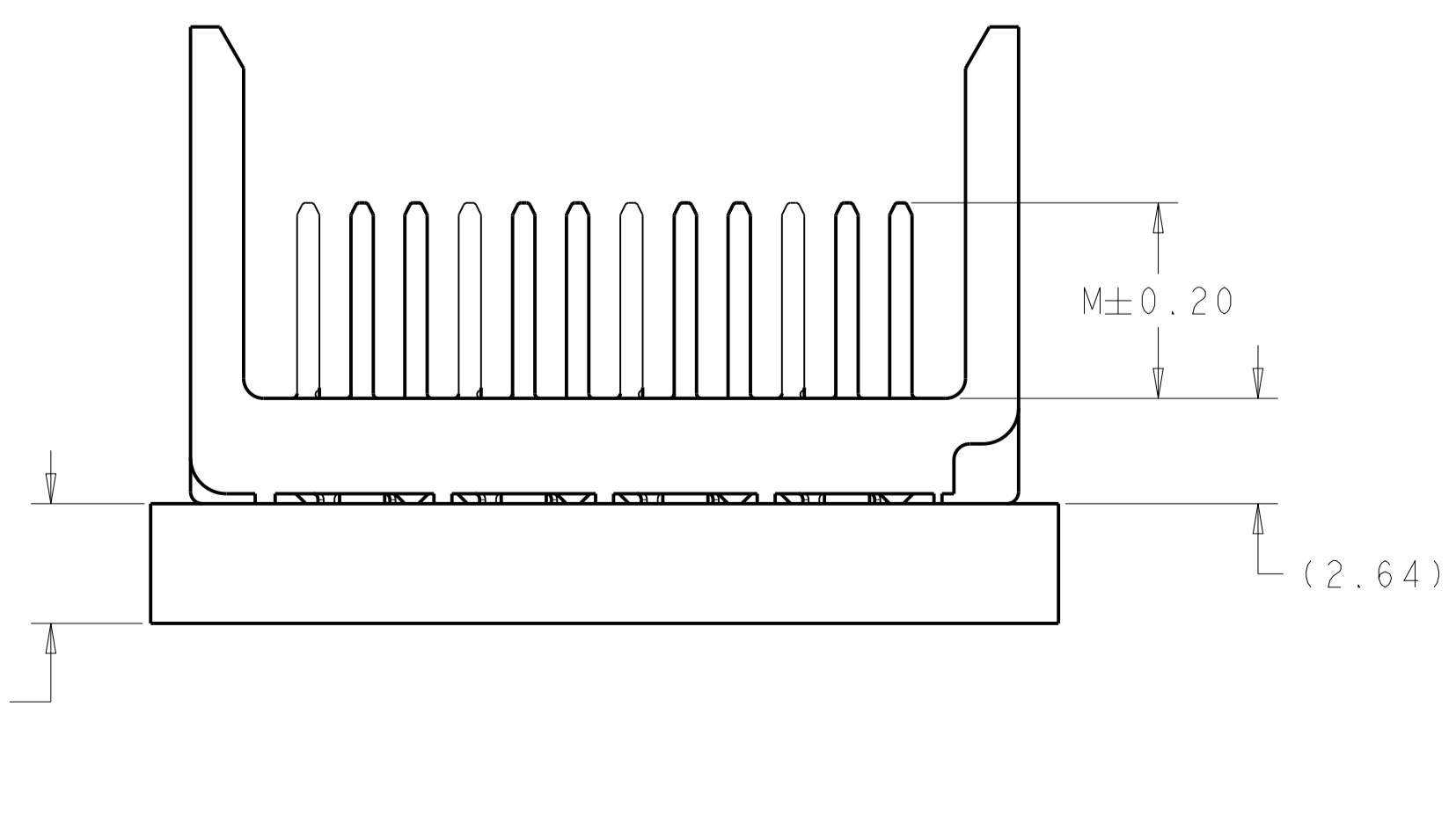
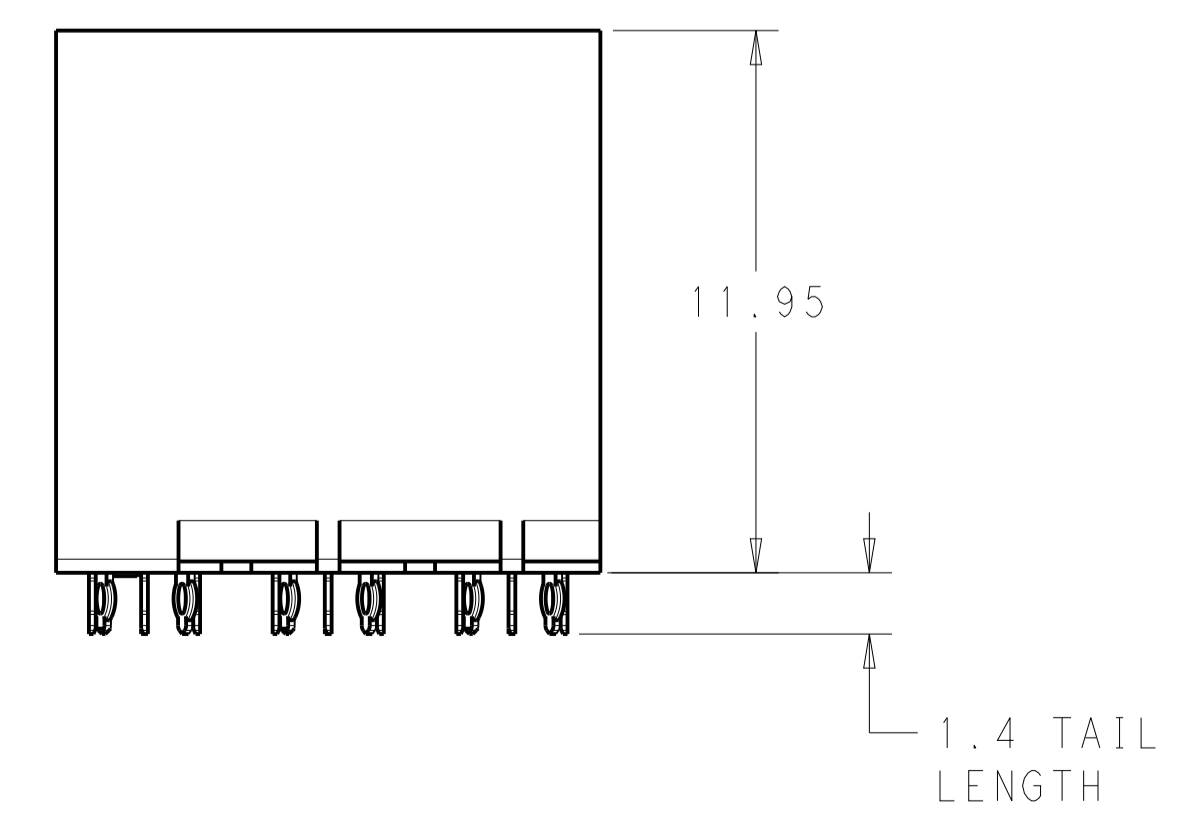
1 MATERIAL:  
HOUSING: LCP, GLASS FILLED, UL94V-0.  
TERMINALS: HIGH PERFORMANCE COPPER ALLOY.

2 FINISH:  
30μ" MIN GOLD IN CONTACT AREA. SELECTIVE TIN  
ON PCB TAILS, NICKEL OVERALL.



UNGUIDED  
BACKPLANE HOLE PATTERN  
(CONNECTOR SIDE)

REFER TO WWW.TE.COM  
FOR PRODUCT AVAILABILITY



2	5.5	PART_NO: 1-2
2	4.9	PART_NO: 1-1
FINISH	DIM M	PART NUMBER

THIS DRAWING IS A CONTROLLED DOCUMENT.		DWN: KIRAN HOLAL 18OCT2012	NAME: IMPACT, ORTHOGONAL, 4 PAIR, 6 COLUMN HEADER, UNGUIDED, OPEN END WALL SIGNAL MODULE, 0.39 PTH
DIMENSIONS: mm		CHK: DIXON DIRK 18OCT2012	
TOLERANCES UNLESS OTHERWISE SPECIFIED:		APVD: DIXON DIRK 18OCT2012	SIZE: CAGE CODE: DRAWING NO: A100779C=2132597
0 PLC ±0.25		PRODUCT SPEC	RESTRICTED TO
2 PLC ±0.13		APPLICATION SPEC	
3 PLC ±0.10		WEIGHT	
4 PLC ±0.08		CUSTOMER DRAWING	SCALE: 6:1 SHEET 1 OF 1 REV C
ANGLES ±0.5			
FINISH: SEE TABLE			

# Mouser Electronics

Authorized Distributor

Click to View Pricing, Inventory, Delivery & Lifecycle Information:

[TE Connectivity:](#)

[2132597-1](#)