

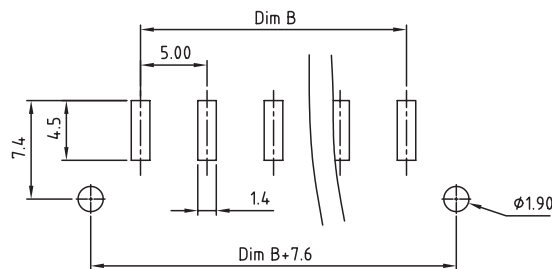
1

2

3

4

5



PCB LAYOUT - COMPONENT VIEW

TECHNICAL CHARACTERISTICS

MATERIAL

INSULATOR: HI TEMP PA46  
 FLAMMABILITY RATING: UL94-V0  
 COLOR: BLACK  
 METAL HOUSING: BRASS (CuZn)  
 TERMINAL SCREW: STEEL ZINC PLATING "-" SLOT TYPE  
 WIRE GUARD: STAINLESS STEEL  
 SURFACE OF SOLDER TAIL PLATING: TIN

ENVIRONMENTAL

OPERATING TEMPERATURE: -40 UP TO 130°C  
 COMPLIANCE: LEAD FREE AND ROHS

ELECTRICAL

CURRENT RATING: 6 A  
 WORKING VOLTAGE: 300 VAC  
 WITHSTANDING VOLTAGE: 1.6 KV  
 CONTACT RESISTANCE: 20 mOhm MAX

STANDARD

UL CERTIFIED E315414

MECHANICAL

SOLID WIRE: 30-14 AWG / 0.0508-2.08 MM<sup>2</sup>  
 STRANDED WIRE: 30-14 AWG / 0.0508-2.08 MM<sup>2</sup>  
 TORQUE: 3.5 Lb.In / 0.4 Nm

WIRE STRIPE LENGTH: 7-8 MM

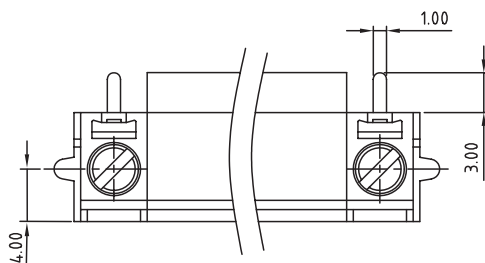
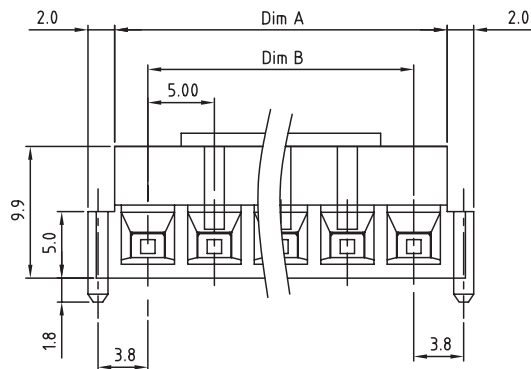
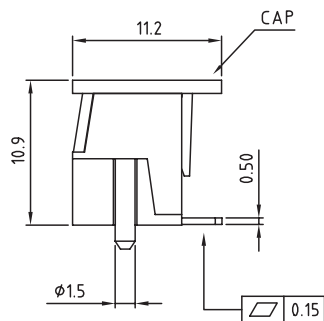
SCREW: M3  
 PITCH: 5.0 MM

SOLDERING

JEDEC LEAD FREE REFLOW SOLDERING PROCESS

PACKAGING

TAPE & REEL WITH CAP



N = Number of poles

Dim A = N x 5.0

Dim B = (N-1) x 5.0

	Dim A	Dim B
2-4p	±0.15	±0.10
5-7p	±0.20	±0.20

RoHS Compliant

G				PROJECTION: 
F				
E				
D				
C	30-MAY-16	TPK	AK	
B	17-AUG-10	DIMENSION	GG	APPROVAL: FBr
A	21-JUN-10	PDF	JP	
REV	DATE	FILE	BY	

GENERAL TOLERANCE

.X = +/- 0.2

.XX = +/- 0.15



UNIT: MM

SCALE:

SHEET: 1/3

DRAW: MARVIN

DESCRIPTION: SERIE 7097 -SMD 5.0MM HORIZONTAL ENTRY MODULAR  
 WITH PRESSURE CLAMP - WR-TBL

WERI PART NO: 691 709 710 3xx

SIZE

A4

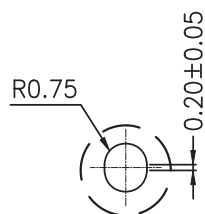
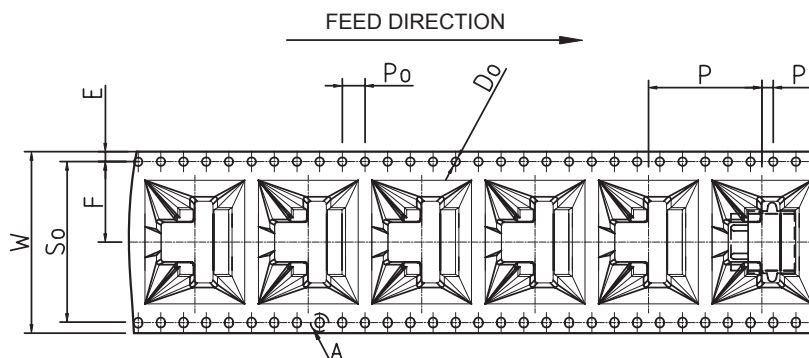
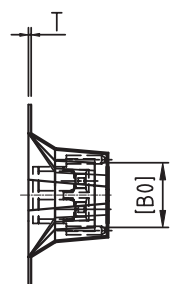
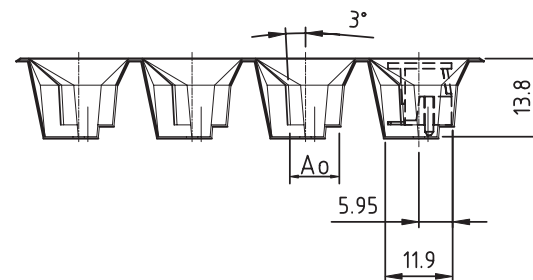
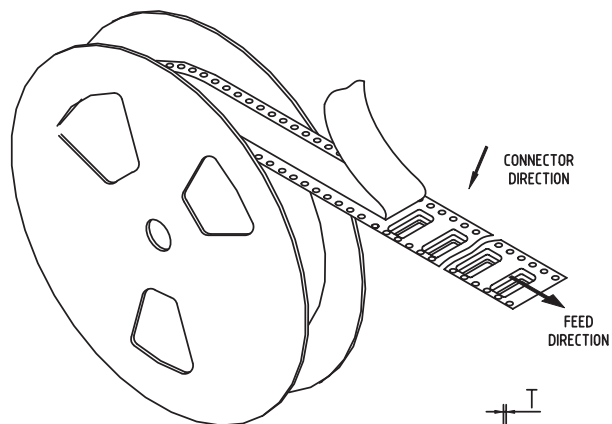
1

2

3

4

5



DETAIL: "A"

EIA DIMENSIONS	
W	32.0±0.3
E	1.75±0.10
F	14.2±0.10
So	28.4±0.10
P	20.0±0.10
Po	4.0±0.10
P2	2.0±0.10
Do	∅1.5 <sup>+0.10</sup> <sub>-0.00</sub>
D1	
T	0.50±0.05
Ao	8.60±0.10
Bo	11.40±0.10
Ko	13.80±0.10

RoHS Compliant

G			
F			
E			
D			
C			
B			
A			
REV	DATE	FILE	BY

PROJECTION:



APPROVAL: FBr

GENERAL TOLERANCE

.X =  $\pm$  0.2.XX =  $\pm$  0.15

UNIT: MM

SCALE:

SHEET: 2/3

DRAW: AK

DESCRIPTION: SERIE 7097 -SMD 5.0MM HORIZONTAL ENTRY MODULAR WITH PRESSURE CLAMP - 2.0MM<sup>2</sup> WIRES WR-TBL

WERI PART NO: 691 709 710 3xx

SIZE

**A4**

1

2

3

4

5

## Cautions and Warnings:

This electronic component is designed and developed with the intention for use in general electronics equipments.

Before incorporating the components into any equipments in the field such as aerospace, aviation, nuclear control, submarine, transportation, (automotive control, train control, ship control), transportation signal, disaster prevention, medical, public information network etc. where higher safety and reliability are especially required or if there is possibility of direct damage or injury to human body, Würth Elektronik must be asked for a written approval.

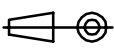

In addition, even electronic component in general electronic equipments, when used in electrical circuits that require high safety, reliability functions or performance, the sufficient reliability evaluation-check for the safety must be performed before by the user before usage.

A

B

C

RoHS Compliant

G				PROJECTION: 	GENERAL TOLERANCE .X = +/- 0.2 .XX = +/- 0.15		
F							
E							
D							
C				APPROVAL: JC	UNIT: MM	DESCRIPTION: DISCLAIMER	SIZE <b>A4</b>
B					SCALE:		
A	10-SEP-14	PDF	QL		SHEET: 3/3	WERI PART NO: DISCLAIMER	
REV	DATE	FILE	BY		DRAW: QL		

D

# Mouser Electronics

Authorized Distributor

Click to View Pricing, Inventory, Delivery & Lifecycle Information:

[Wurth Electronics:](#)

[691709710305](#) [691709710304](#) [691709710303](#) [691709710306](#) [691709710308](#) [691709710302](#)