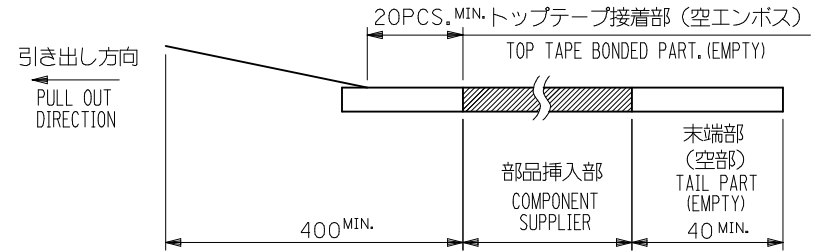


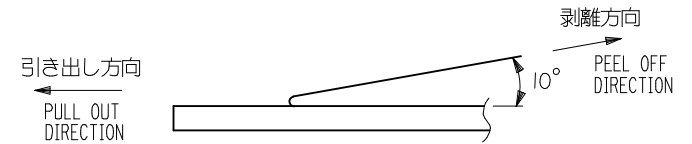
NOTES

1. 梱包数量：1000個/リール
NUMBER OF CONNECTORS : 1000PCS/REEL
2. リードテープ長さ LEAD TAPE LENGTH



3. トップテープの剥離強度：0.1N ~ 0.7N(10.2gf ~ 71.4gf)
(剥離方向は下図参照)

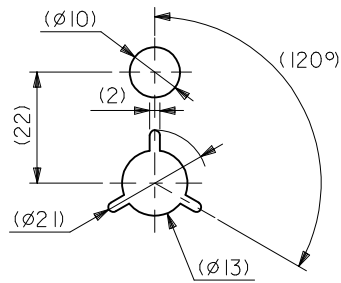
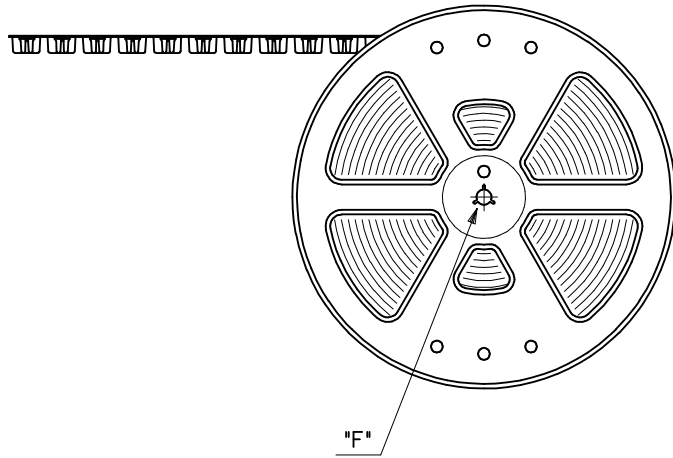
尚、本規格値は出荷時に適用。(但し、輸送時に剥離が発生しないこと。)
PEELING OFF FORCE OF TOP TAPE : 0.1N ~ 0.7N(10.2gf ~ 71.4gf)
(PEELING DIRECTION AS SHOWN IN FOLLOWING FIG,)
THIS REQUIREMENT SHOULD BE APPLIED AT SHIPMENT.
PEEL OFF SHOULD NOT BE ALLOWED , DURING TRANSPORTATION.



4. 52610-**-17のアクチュエータはハウジング内に押し下げた状態とする。
詳細寸法については図面 SD-52610-055 を参照下さい。
ACTUATOR OF PART NO. 52610-**-17 SHULD BE LOCKED.
RE DETAILED DIMENSIONS , SEE SD-52610-055

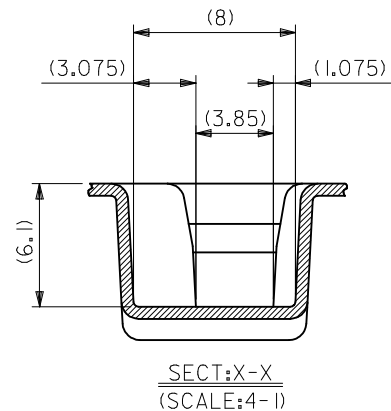
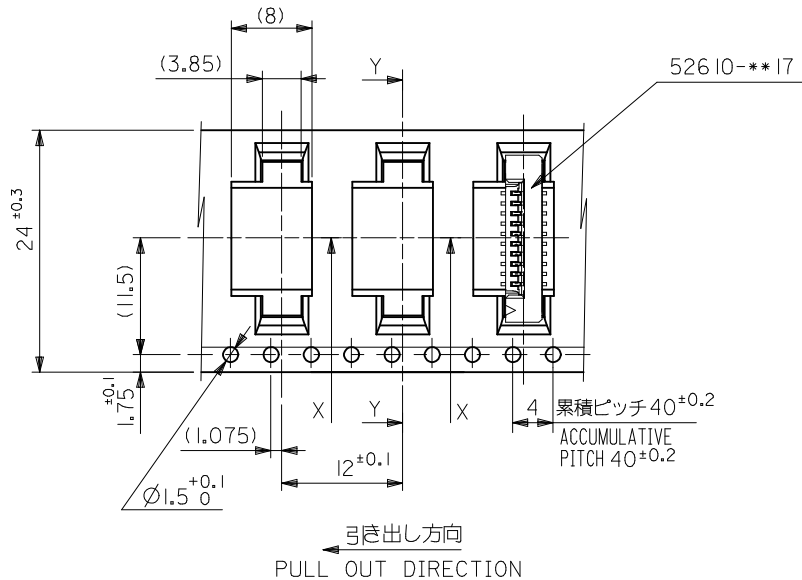
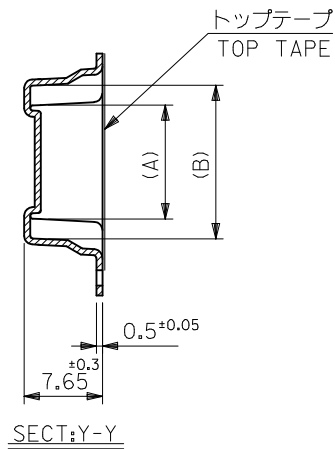
5. 材料(MATERIAL)
キャリアテープ(CARRIER TAPE) : ポリプロピレン(POLYPROPYLENE)
トップテープ(TOPTAPE) : PET , PE , PEF
リール(REEL) : ポリスチレン (PS) <リサイクル材を含む>
POLYSTYREN(PS) <RECYCLE MATERIAL CONTAINED>

引き出し方向
PULL OUT
DIRECTION



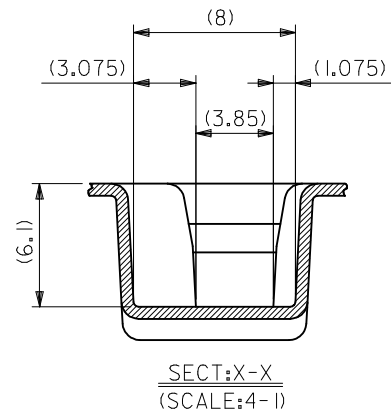
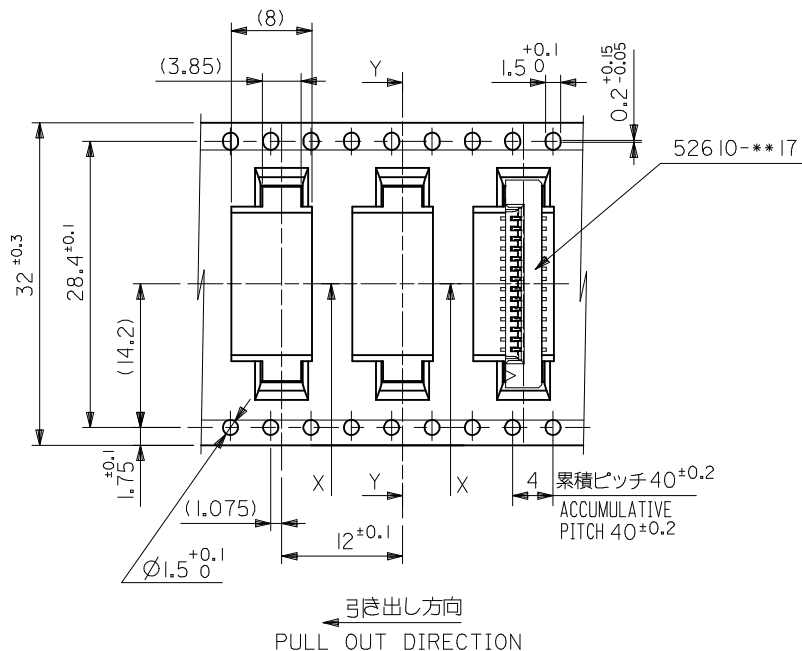
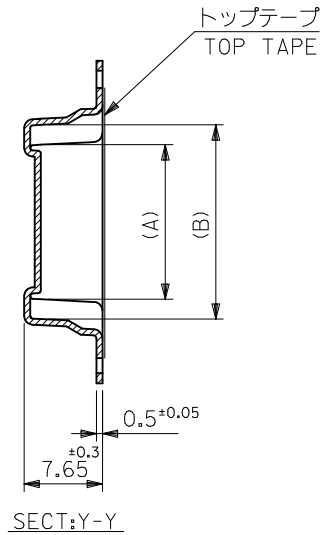
DETAIL "F"

| GENERAL TOLERANCES (UNLESS SPECIFIED) | | | DIMENSION STYLE MM ONLY | | SCALE --- | DESIGN UNITS METRIC | THIRD ANGLE PROJECTION |
|------------------------------------------------------------|-----------|--------|----------------------------|--------------------------------------------------------------------------------------------------------------------------------------------------|----------------------------------------------------|------------------------|---------------------------|
| 0.25 UNDER | UNDER | ± 0.03 | DRAWN BY | DATE | TITLE | | |
| 0.25 OVER | 0.5 UNDER | ± 0.05 | MTAKAHASHI | 104 2013/06/03 | 1.0 FPC CONN SMT ZIF EMBSTP PKG SHEET 1 OF 5 | | |
| 0.5 OVER | 1.0 UNDER | ± 0.1 | CHECKED BY | DATE | | | |
| 1.0 OVER | 30 UNDER | ± 0.2 | KTAKAHASHI | 2013/06/03 | molex | | |
| 10 OVER | 30 UNDER | ± 0.25 | APPROVED BY | DATE | | | |
| 30 OVER | | ± 0.3 | YNOGAWA | 2013/07/30 | SD-52610-052 | | |
| ANGULAR | ± 3 ° | | MATERIAL NO. | DOCUMENT NO. | | | |
| DRAFT WHERE APPLICABLE MUST REMAIN WITHIN DIMENSIONS | | | SIZE A3 | THIS DRAWING CONTAINS INFORMATION THAT IS PROPRIETARY TO MOLEX ELECTRONIC TECHNOLOGIES, LLC AND SHOULD NOT BE USED WITHOUT WRITTEN PERMISSION | | | |



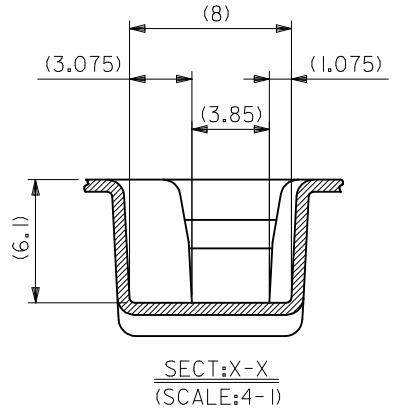
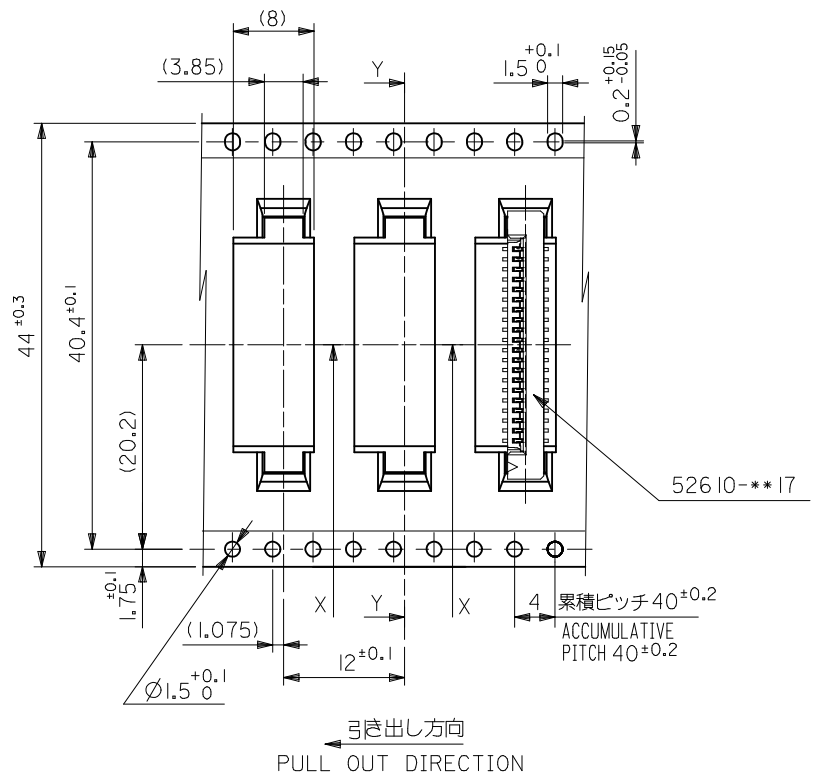
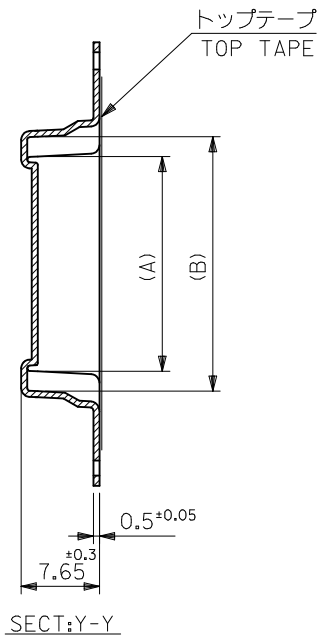
| | | | | | |
|--------------------------------|------|-------|-------|------------|------------|
| 24 | 25.5 | 15.25 | 11.32 | 52610-1090 | 10 |
| | | 13.25 | 9.32 | 52610-0890 | 8 |
| | | 12.25 | 8.32 | 52610-0790 | 7 |
| | | 11.25 | 7.32 | 52610-0690 | 6 |
| キャリアテープ幅 CARRIER TAPE WIDTH | C | (B) | (A) | ENG. NO. | 極数 CKT. |

| | | | | | | | | | |
|------------------------------------------------------------------------------------------------------------------------|------------------------------------------------------|-----------|--------------|----------------------------|-----------------------------------------------------------------------------------------------------------------------------------------------|----------------------------------------------------|------------------------|------------------------|--|
| SEE SHEET 1 OF 5 EC NO: J2016-0434 DRWN:KONDO 2015/10/28 CHKD:KATAHASHI 2015/10/28 APPR:YNOGAWA 2015/11/17 | GENERAL TOLERANCES (UNLESS SPECIFIED) | | | DIMENSION STYLE MM ONLY | | SCALE --- | DESIGN UNITS METRIC | THIRD ANGLE PROJECTION | |
| | 0.25 UNDER | UNDER | ± 0.03 | DRAWN BY | DATE | TITLE | | | |
| | 0.25 OVER | 0.5 UNDER | ± 0.05 | MTAKAHASHI | 04 2013/06/03 | 1.0 FPC CONN SMT ZIF EMBSTP PKG SHEET 2 OF 5 | | | |
| | 0.5 OVER | 1.0 UNDER | ± 0.1 | KTAKAHASHI | 2013/06/03 | | | | |
| | 1.0 OVER | 10 UNDER | ± 0.2 | APPROVED BY | DATE | molex | | | |
| 10 OVER | 30 UNDER | ± 0.25 | YNOGAWA | 2013/07/30 | | | | | |
| 30 OVER | | ± 0.3 | MATERIAL NO. | | DOCUMENT NO. | SHEET NO. | | | |
| | ANGULAR | ± 3 ° | SEE CHART | | SD-52610-052 | | 2 OF 5 | | |
| | DRAFT WHERE APPLICABLE MUST REMAIN WITHIN DIMENSIONS | | | SIZE A3 | THIS DRAWING CONTAINS INFORMATION THAT IS PROPRIETARY TO MOLEX ELECTRONIC TECHNOLOGIES, LLC AND SHOULD NOT BE USED WITHOUT WRITTEN PERMISSION | | | | |



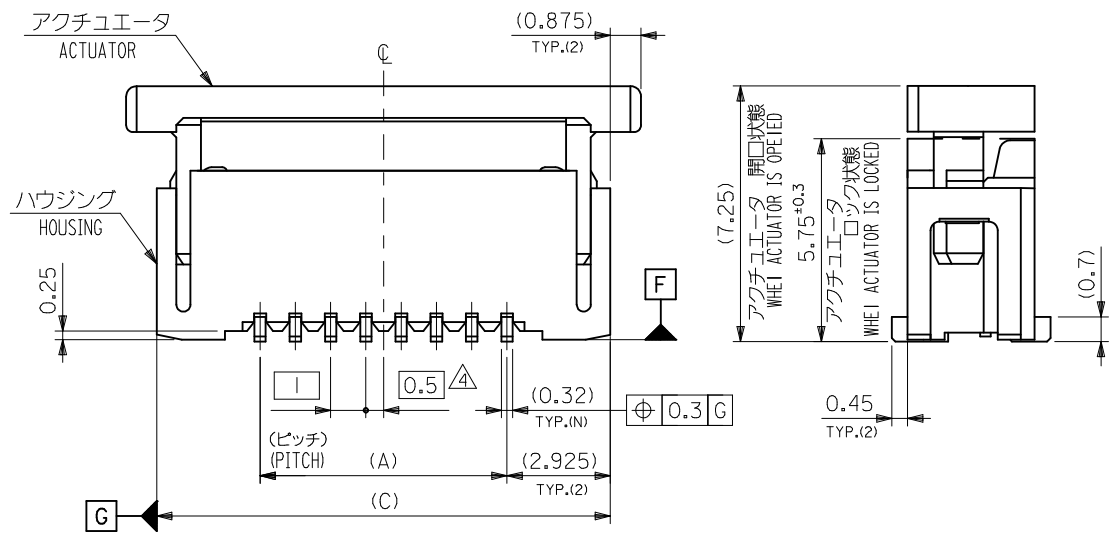
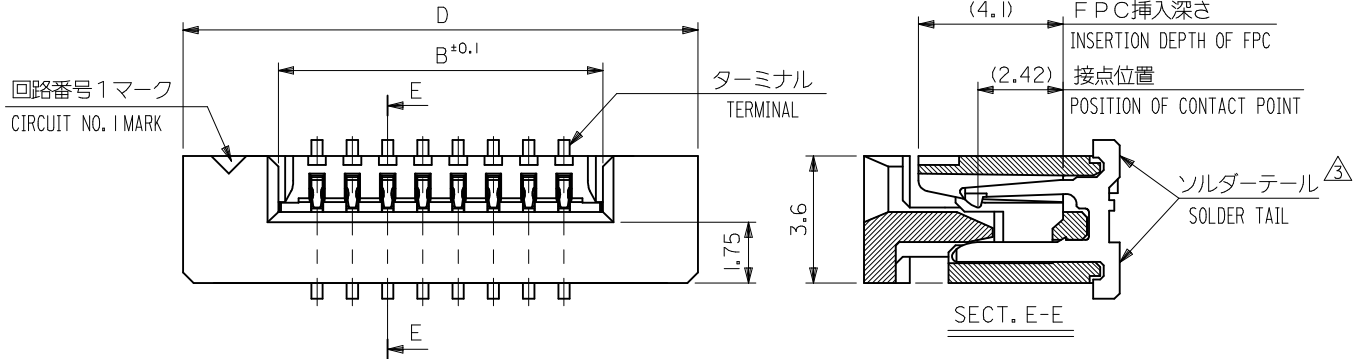
| | | | | | |
|--------------------------------|------|-------|-------|------------|------------|
| 32 | 33.5 | 20.25 | 16.32 | 52610-1590 | 15 |
| キャリアテープ幅 CARRIER TAPE WIDTH | C | (B) | (A) | ENG. NO. | 極数 CKT. |

| | | | | | | | |
|---------------------------------------------------------------------------------------------------------------------------|---------------------------------------|-----------|----------------------------|-----------------------------------------------------------------------------------------------------------------------------------------------|---------------|---------------------------------------------------------------|------------------------|
| SEE SHEET 1 OF 5 EC NO.: J2016-04/34 DRWN:KONDO 2015/10/28 CHK'D:KATAHASHI 2015/10/28 APPR:YNOGAWA 2015/11/17 | GENERAL TOLERANCES (UNLESS SPECIFIED) | | DIMENSION STYLE MM ONLY | | SCALE --- | DESIGN UNITS METRIC | THIRD ANGLE PROJECTION |
| | 0.25 UNDER | UNDER | ±0.03 | DRAWN BY | DATE | TITLE | |
| | 0.25 OVER | 0.5 UNDER | ±0.05 | MTAKAHASHI | 04 2013/06/03 | 1.0 FPC CONN SMT ZIF EMBSTP PKG SHEET 3 OF 5 | |
| | 0.5 OVER | 1.0 UNDER | ±0.1 | CHECKED BY | DATE | molex DOCUMENT NO. SD-52610-052 SHEET NO. 3 OF 5 | |
| | 1.0 OVER | 10 UNDER | ±0.2 | KATAHASHI | 2013/06/03 | | |
| 10 OVER | 30 UNDER | ±0.25 | APPROVED BY | DATE | | | |
| 30 OVER | | ±0.3 | YNOGAWA | 2013/07/30 | | | |
| ANGULAR | ±3 ° | | MATERIAL NO. | SEE CHART | | | |
| DRAFT WHERE APPLICABLE MUST REMAIN WITHIN DIMENSIONS | | | SIZE A3 | THIS DRAWING CONTAINS INFORMATION THAT IS PROPRIETARY TO MOLEX ELECTRONIC TECHNOLOGIES, LLC AND SHOULD NOT BE USED WITHOUT WRITTEN PERMISSION | | | |



| | | | | | |
|--------------------------------|------|-------|-------|------------|------------|
| 44 | 45.5 | 28.25 | 24.32 | 52610-2390 | 23 |
| | | 27.25 | 23.32 | 52610-2290 | 22 |
| キャリアテープ幅 CARRIER TAPE WIDTH | C | (B) | (A) | ENG. NO. | 極数 CKT. |

| | | | | | | | |
|------------------------------------------------------------------------------------------------------------------------|---------------------------------------|-----------|----------------------------|-----------------------------------------------------------------------------------------------------------------------------------------------|---------------|----------------------------------------------------|------------------------|
| SEE SHEET 1 OF 5 EC NO: J2016-0434 DRWN:KONDO 2015/10/28 CHKD:KATAHASHI 2015/10/28 APPR:YNOGAWA 2015/11/17 | GENERAL TOLERANCES (UNLESS SPECIFIED) | | DIMENSION STYLE MM ONLY | | SCALE --- | DESIGN UNITS METRIC | THIRD ANGLE PROJECTION |
| | 0.25 UNDER | UNDER | ±0.03 | DRAWN BY | DATE | TITLE | |
| | 0.25 OVER | 0.5 UNDER | ±0.05 | MTAKAHASHI | 04 2013/06/03 | 1.0 FPC CONN SMT ZIF EMBSTP PKG SHEET 4 OF 5 | |
| | 0.5 OVER | 1.0 UNDER | ±0.1 | CHECKED BY | DATE | molex | |
| | 1.0 OVER | 10 UNDER | ±0.2 | KTAKAHASHI | 2013/06/03 | | |
| 10 OVER | 30 UNDER | ±0.25 | APPROVED BY | DATE | DOCUMENT NO. | SHEET NO. | |
| 30 OVER | | ±0.3 | YNOGAWA | 2013/07/30 | SD-52610-052 | 4 OF 5 | |
| ANGULAR | ±3 ° | | MATERIAL NO. | | SEE CHART | | |
| DRAFT WHERE APPLICABLE MUST REMAIN WITHIN DIMENSIONS | | | SIZE A3 | THIS DRAWING CONTAINS INFORMATION THAT IS PROPRIETARY TO MOLEX ELECTRONIC TECHNOLOGIES, LLC AND SHOULD NOT BE USED WITHOUT WRITTEN PERMISSION | | | |



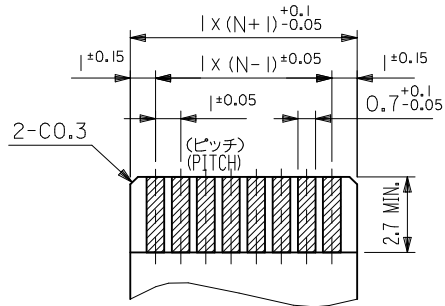
注記(NOTES):

- 材料(MATERIAL)
 ハウジング (HOUSING): 46NYLON , UL94V-0
 アクチュエータ(ACTUATOR): PPS , UL94V-0
 ターミナル (TERMINAL): リン青銅、錫メッキ (tO. 32)
 PHOS-BRO. TIN-PLATED
- エンボステープ梱包時は、アクチュエータがロックした状態とする。
 IN THE PACKAGE , ACTUATOR OF PART NO.52610-**17 SHOULD BE LOCKED.

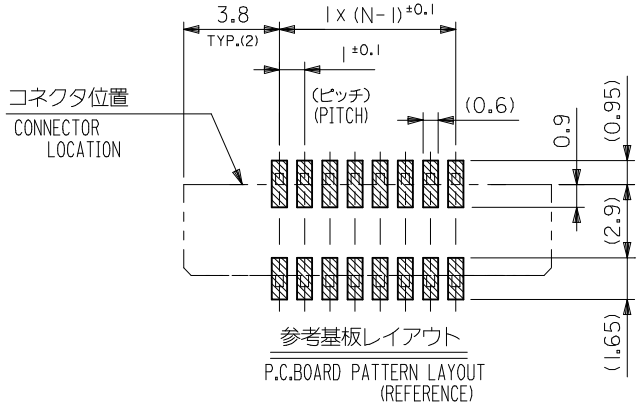
△ ソルダータール半田付け面のズレ量は、基準面 [F] に対し上方向 0.05 MAX. 下方向 0.15 MAX. とする。
 MISALIGNMENT OF SOLDER TAILS FROM [F] UPPER DIRECTION : 0.05 MAX., LOWER DIRECTION : 0.15 MAX.

△ 偶数極に適用。
 APPLY FOR EVEN CIRCUIT.

| | | | | | | | | |
|---------------------------------------------------------------------------------------------------------------|---------------------------------------|-----------|------------------------------------------------------|----------------------------|------------------|-----------------------------------------------------------------------------------------------------------------------------------------------|------------------------|------------------------|
| REVISED EC NO: J2016-0434 DRWN:KONDO 2015/10/28 CHKD:KAKAHASHI 2015/10/28 APPR:YNOGAWA 2015/11/17 | GENERAL TOLERANCES (UNLESS SPECIFIED) | | | DIMENSION STYLE MM ONLY | | SCALE --- | DESIGN UNITS METRIC | THIRD ANGLE PROJECTION |
| | 0.25 UNDER | UNDER | ±0.03 | DRAWN BY | DATE | TITLE | | |
| | 0.25 OVER | 0.5 UNDER | ±0.05 | MTAKAHASHI04 | 2014/02/24 | 1.0 FPC ZIF FOR SMT ST | | |
| | 0.5 OVER | 1.0 UNDER | ±0.1 | CHECKED BY | DATE | SHEET 1 OF 2 | | |
| | 1.0 OVER | 10 UNDER | ±0.2 | KTAKAHASHI | 2014/02/25 | | | |
| 10 OVER | 30 UNDER | ±0.25 | APPROVED BY | DATE | DOCUMENT NO. | | | |
| 30 OVER | | ±0.3 | YNOGAWA | 2014/03/11 | SEE SHEET 2 OF 2 | SD-52610-055 | 1 OF 2 | |
| ANGULAR | ±3 ° | | DRAFT WHERE APPLICABLE MUST REMAIN WITHIN DIMENSIONS | | SIZE A3 | THIS DRAWING CONTAINS INFORMATION THAT IS PROPRIETARY TO MOLEX ELECTRONIC TECHNOLOGIES, LLC AND SHOULD NOT BE USED WITHOUT WRITTEN PERMISSION | | |



適合FPC推奨寸法
 APPLICABLE FPC RECOMMENDED DIM.
 仕上がり厚さ(THICKNESS): 0.3±0.05



参考基板レイアウト
 P.C.BOARD PATTERN LAYOUT
 (REFERENCE)

| | | | | | |
|------|-------|------|-----|--------------------------------------|------|
| 34.6 | 32.85 | 29.2 | 27 | 52610-2817 | 28 |
| 29.6 | 27.85 | 24.2 | 22 | -2317 | 23 |
| 28.6 | 26.85 | 23.2 | 21 | -2217 | 22 |
| 21.6 | 19.85 | 16.2 | 14 | -1517 | 15 |
| 16.6 | 14.85 | 11.2 | 9 | -1017 | 10 |
| 14.6 | 12.85 | 9.2 | 7 | -0817 | 8 |
| 13.6 | 11.85 | 8.2 | 6 | -0717 | 7 |
| 12.6 | 10.85 | 7.2 | 5 | 52610-0617 | 6 |
| D | (C) | B | (A) | EMBOSSED PACKAGE オーダー番号 ORDER NO. | CKT. |
| | | | | CONNECTOR SERIES NO. 52610-**17 | |

| | | | | | | | | | |
|------------------------------------------------------------------------------------------------------------------------|---------------------------------------|-----------|-------------|----------------------------|-----------------------------------------------------------------------------------------------------------------------------------------------|---------------------------------------|------------------------|------------------------|--|
| SEE SHEET 1 OF 2 EC NO: J2016-0434 DRWN:KONDO 2015/10/28 CHKD:KATAHASHI 2015/10/28 APPR:YNOGAWA 2015/11/17 | GENERAL TOLERANCES (UNLESS SPECIFIED) | | | DIMENSION STYLE MM ONLY | | SCALE --- | DESIGN UNITS METRIC | THIRD ANGLE PROJECTION | |
| | 0.25 UNDER | UNDER | ±0.03 | DRAWN BY | DATE | TITLE | | | |
| | 0.25 OVER | 0.5 UNDER | ±0.05 | MTAKAHASHI | 104 2014/02/24 | 1.0 FPC CONN ZIF FOR SMT SHEET 2 OF 2 | | | |
| | 0.5 OVER | 1.0 UNDER | ±0.1 | CHECKED BY | DATE | | | | |
| | 1.0 OVER | 10 UNDER | ±0.2 | KTAKAHASHI | 2014/02/25 | | | | |
| 10 OVER | 30 UNDER | ±0.25 | APPROVED BY | DATE | DOCUMENT NO. | | SHEET NO. | | |
| 30 OVER | | ±0.3 | YNOGAWA | 2014/03/11 | SD-52610-055 | | 2 OF 2 | | |
| ANGULAR ±3 ° | | | SEE CHART | | THIS DRAWING CONTAINS INFORMATION THAT IS PROPRIETARY TO MOLEX ELECTRONIC TECHNOLOGIES, LLC AND SHOULD NOT BE USED WITHOUT WRITTEN PERMISSION | | | | |
| DRAFT WHERE APPLICABLE MUST REMAIN WITHIN DIMENSIONS | | | | | | | | | |