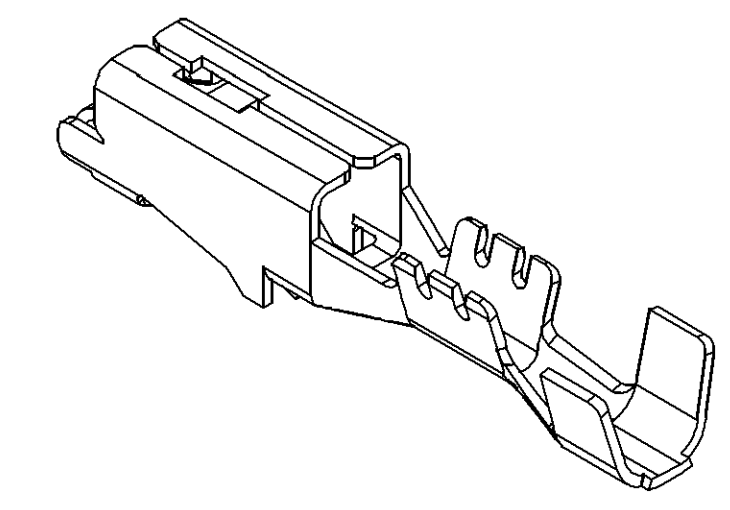
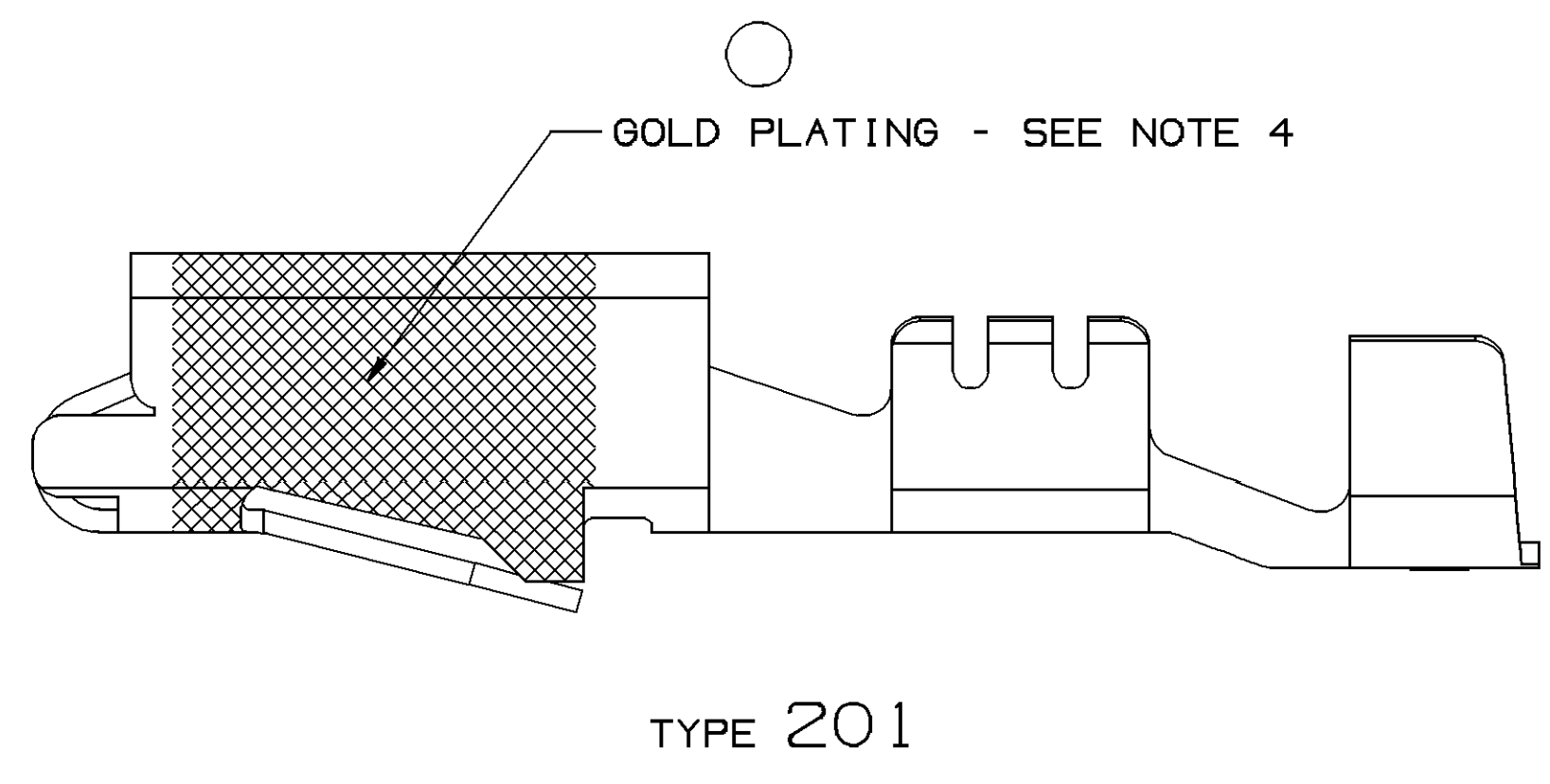
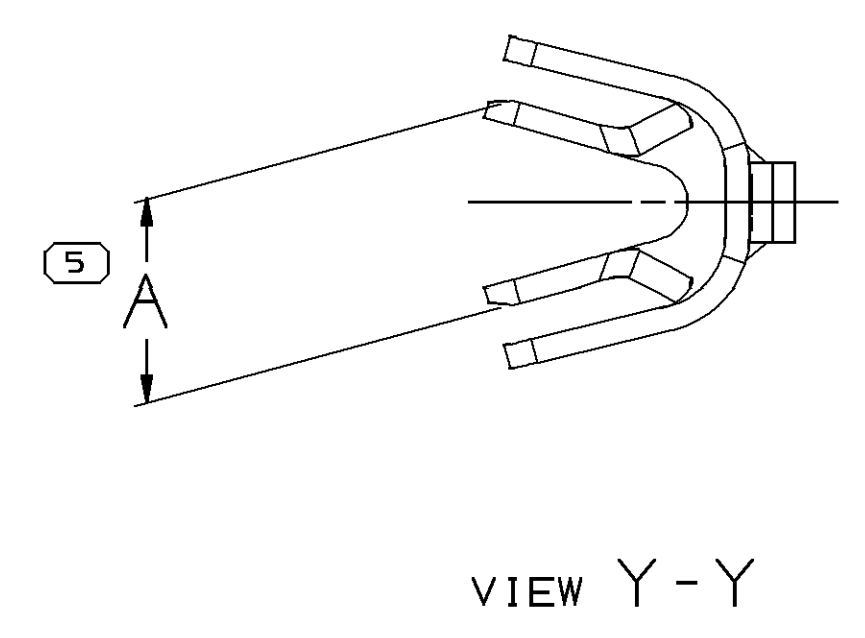
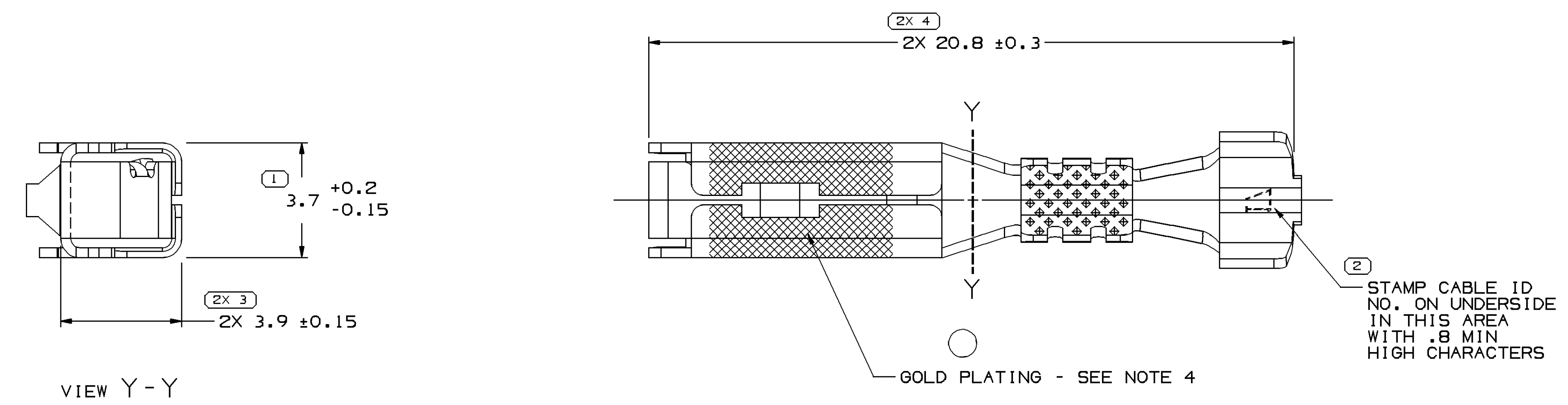


SYMBOL DEFINITION		TOTAL NO OF INSPECTIONS REQUIRED	7
A DIMENSION WITHOUT AN INSPECTION REPORT SYMBOL DOES NOT REQUIRE INSPECTION. IT MAY BE CONTROLLED ON THE INDIVIDUAL COMPONENT DRAWING.		LAST NO. USED	5

MISSING SYMBOLS				NO MISSING SYMBOL NUMBER	
DATE	STG	REV	N/P	CHG	ZONE
04NO03	R	01	-	-	-
12JA04	R	02	-	-	-
10JUN05	R	03	-	-	-
27APO6	R	04	-	-	-

REVISION HISTORY		AUTH	DR	APVD
15484100 AND 15479524 RELEASED		248289	LMB	LMB
ALL PARTS - REVISED DIMENSIONS		250063	LMB	LMB
ADDED "SHT 1 OF 2": ALL PARTS - ADDED NOTE #3		269172	JBD	FRG
ALL PARTS - ADDED GOLD PLATING AREA ON THE OUTSIDE SURFACE VIEWS, NOTE #4 AND PROCESS SENSITIVE DIMENSION		279420	JBD	JAA



VIEW SCALE DOES NOT REFLECT ACTUAL PART SIZE

- NOTES
- UNLESS OTHERWISE SPECIFIED AND/OR INDICATED: DIMENSIONS ARE TO FACE OF VIEW SHOWN AND AUTOMATICALLY ROUNDED BY COMPUTER FOR INSPECTION. (SEE MATH MODEL FOR PRECISE DIMENSIONS.) FOR ALL OTHER DIMENSIONS NOT SHOWN BUT REQUIRED FOR TOOL BUILD, SEE MATH MODEL FOR PRECISE TOOL PATH DATA.
 - MATING TERMINAL 12048159 OR EQUIVALENT.
 - DO NOT PROBE, TEST OR OTHERWISE CONTACT THE INTERIOR REGION (THE SPRING OR ANY MOVING PART) OF THIS TERMINAL. SEVERE DAMAGE CAN OCCUR, COMPROMISING THE PERFORMANCE OF THE ELECTRICAL INTERFACE.
 - OUTSIDE OF TERMINAL BOX IS GOLD PLATED.

PART NO	REV	N/P	STATUS	MAT'L SIZE	MAT'L SPEC	SIZE (MM²)	ID	DIA	TYPE	A ±0.4
15484100	02	AB	-	0.320 X 31.75	M3650BN4 METL NO-FERROUS CDA 42500 EX HARD	0.5-0.35	21	2.19-1.47	201	2.2
15479524	02	AB	-	0.320 X 31.75	M3650BN4 METL NO-FERROUS CDA 42500 EX HARD	1.0-0.8	17	2.64-1.96	201	2.7

Dwg TYPE PART DRAWING	
STYLE	DISTR CODE
VOLUME 10/1	D
UNLESS OTHERWISE SPECIFIED THIS DOCUMENT IS IN ACCORDANCE WITH ASME Y14.5M-1994 AS MODIFIED BY THE M SCHEM. DIMENSIONING AND TOLERANCE ADDENDUMS. SEPARATE NOTATIONS OF FEATURES MAY BE BASED SEPARATELY PER DELPHI DRAWING REFERENCES.	
ALL DIMENSIONS ARE IN MILLIMETERS	
THIRD ANGLE PROJECTION	DO NOT SCALE
USE MATH DATA	UNIGRAPHICS

DELPHI
DELPHI PACKARD ELECTRIC SYSTEMS
WYOMING, OH

DR	DATE
L.M. BASKIN	04NO03
L.M. BASKIN	04NO03
L.M. BASKIN	04NO03
TOM MADDEN	04NO03

APVD1
APVD2
APVD3
APVD4
APVD5

SUBSTANCES OF CONCERN AND RECYCLED CONTENT PER DELPHI 10949001

MATERIALS SEE CHART

DRAWING NAME
TAXI TERM F M/P 280 TANG

DRAWING NUMBER
12186554

SIZE A0 SCALE 10:1 FRM NO 1 OF 1 SHEET NO 2 OF 2 STG REV N/P R 04 -

Mouser Electronics

Authorized Distributor

Click to View Pricing, Inventory, Delivery & Lifecycle Information:

[Aptiv:](#)

[15484100](#)