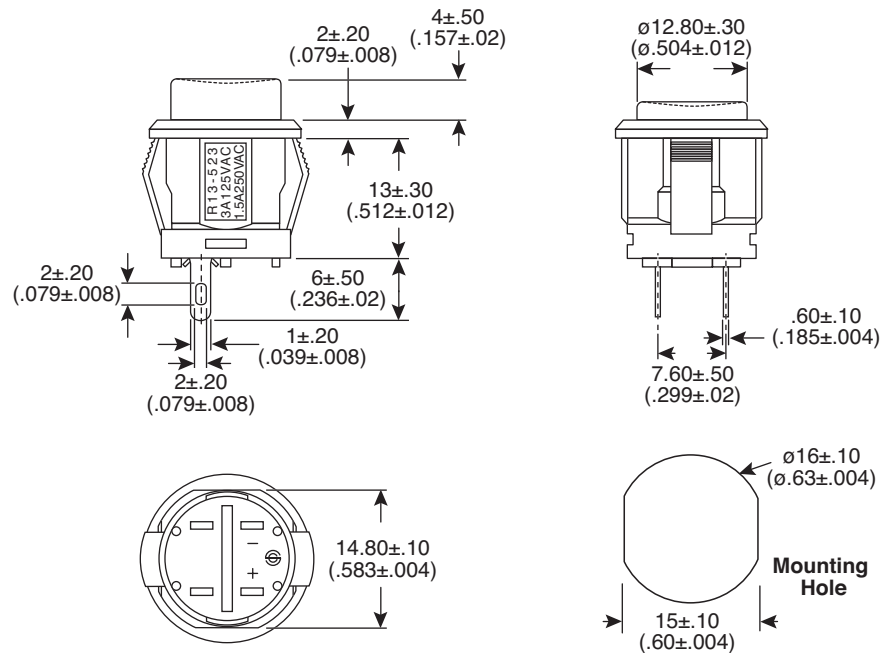
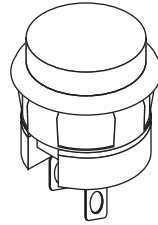


Dimensions: mm (In.)



Electrical Specifications:

- Rating: 3A/125VAC, 1.5A/250VAC
- Contact Resistance: 50mΩ max.
- Insulation Resistance: 500VDC @100MΩ min.
- Dielectric Strength: 1500VAC for 1 minute

Mechanical Specifications:

- Operating Temperature: -20°C ~ 85°C
- Circuit: 2P SPST (ON)-OFF

Note:

- RoHS Compliant

Mouser Stock No.	Button Color
107-3044-EV	Red
107-3046-EV	Black

Pushbutton Switches
107-3044-EV, 107-3046-EV



Mouser Electronics

Authorized Distributor

Click to View Pricing, Inventory, Delivery & Lifecycle Information:

[Mountain Switch:](#)

[107-3046-EV](#) [107-3044-EV](#)