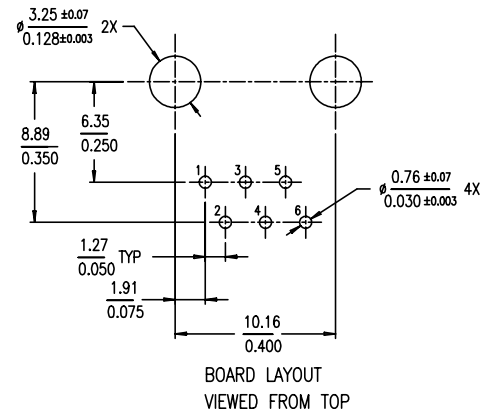
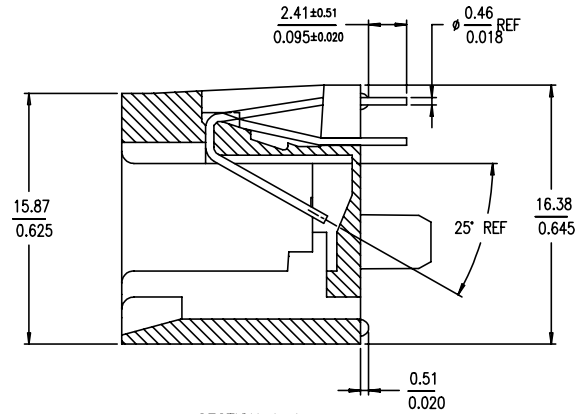
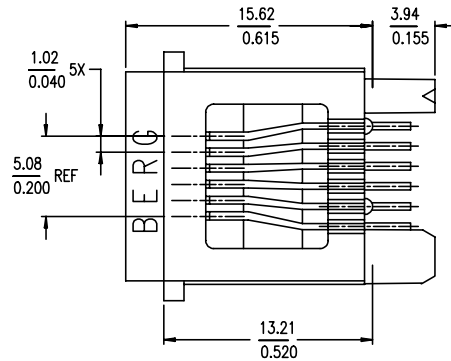
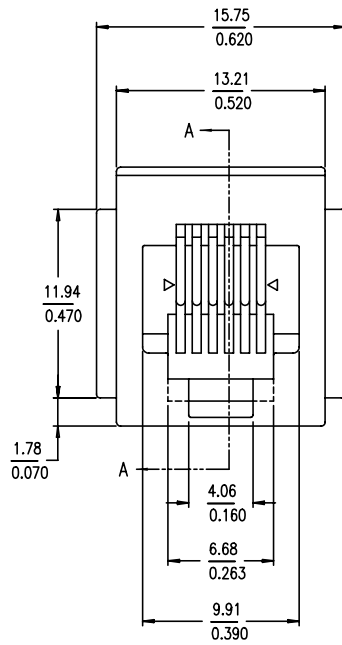


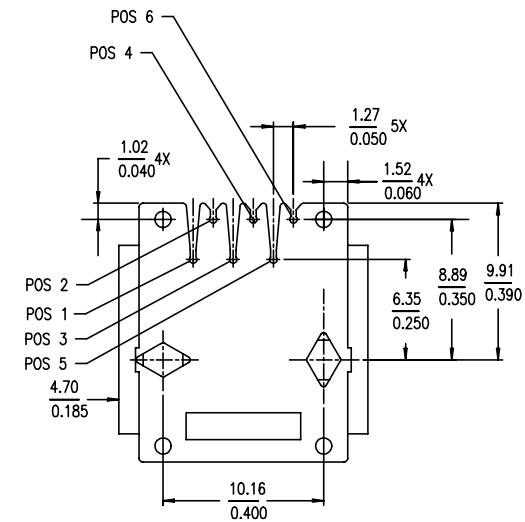
PRODUCT NO.	POSITIONS LOADED	CONTACT PLATING	HSG COLOR	NOTES
90520-001-001LF	ALL	5u" Au + high performance lubricant	BLACK	NOTE 1
90520-002-002LF	2,3,4,5			NOTE 1
90520-003-003LF	ALL			-
90520-004-004LF	2,3,4,5			-

LEAD FREE PRODUCT NO.



## NOTES :

- SPECIAL PACKAGING.
- GXT IS 0.76um / 30u" MIN GXT WITH Au FLASH OVER 1.27um / 50u" MIN Ni.
- THIS PRODUCT MEETS EUROPEAN UNION DIRECTIVE AND OTHER COUNTRY REGULATIONS AS DESCRIBED IN GS-22-008
- THE HOUSING WILL WITHSTAND EXPOSURE TO 260°C PEAK TEMPERATURE FOR 10 SECONDS IN A WAVE SOLDER APPLICATION WITH A 1.57mm MINIMUM THICK CIRCUIT BOARD
- IF LF P/N PACKAGING MEETS GS-14-920 SPECIFICATION



mat'l. code	surface	tolerance	projection	product family
ISO1302	ISO1101 ISO406	tolerances unless otherwise specified	mm	MOD JACK
l t r e c n n o d r	date	angle	scale	title
C T70458	CL 10/21/97	0° ± 0.3	2.0	SP/SW 6 POS VERTICAL
D N04-0102	YS 11/23/04	0° ± 0.15		PCB MOD JACK ASSY
E N08-0064	SH 05/05/08	0° ± 0.05		
F ELX-N-010976	SH MM 3/14/12			
dr	CATHY LIN	10/21/97		dwg no
engr	TONY CHIEN	10/21/97		sheet 1 of 1
chr	TONY CHIEN	10/21/97		size
appd	JENN TSAO	10/21/97		A4
sheet	revision	F		type
index	sheet	1		Product Customer Drawing



# Mouser Electronics

Authorized Distributor

Click to View Pricing, Inventory, Delivery & Lifecycle Information:

[FCI / Amphenol:](#)

[90520-002](#) [90520-003](#) [90520-004](#) [90520-002LF](#) [90520-003LF](#) [90520-004LF](#)