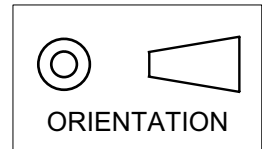


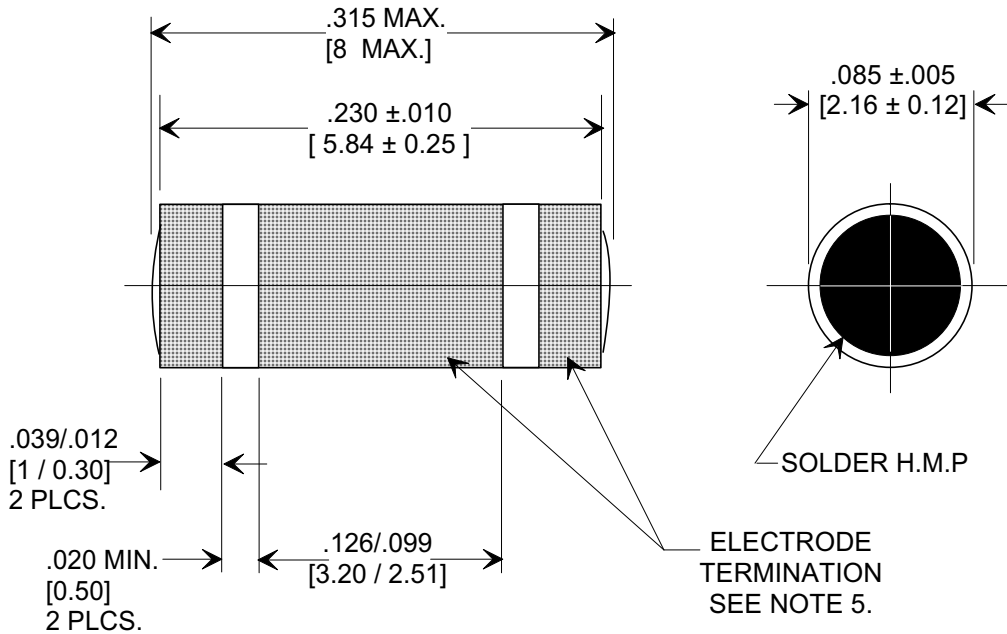
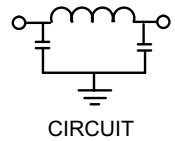
**MARKETING SALES DRAWING**

DIMENSIONS IN INCHES - DO NOT SCALE THIS DRAWING  
DIMENSIONS IN METRIC [ ]

This drawing is the property of Tusonix, Inc., and may not be used, reproduced, published or disclosed to others without expressed authorization by Tusonix Inc.

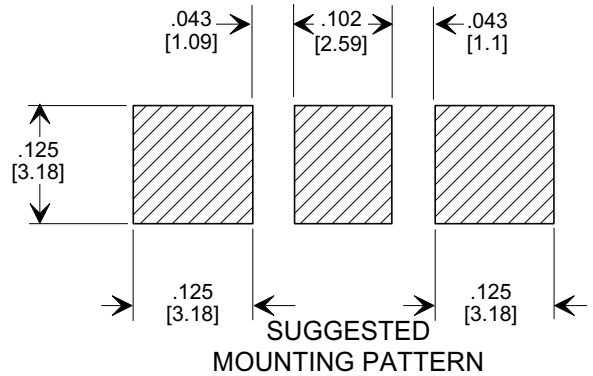


**Electrical Testing  
per Tusonix standard  
test plans and Mil-Std-202  
Test Methods.**



**NOTES:**

- INDUCTANCE TO BE 0.1 μH MINIMUM.
- PACKAGE: BULK OR BLISTER TAPE TO IEC-60286-3 TYPE II AND EIA-481-A.
- TUSONIX STANDARD PART NUMBER: 4700-056.  
TUSONIX RoHS COMPLIANT PART NUMBER: 4700-056 LF.  
CUSTOMER MUST SPECIFY STANDARD OR RoHS PART NUMBER WHEN ORDERING.
- PART MARKING - STANDARD PART: NO MARKING.  
RoHS PART: LABELED ON PACKAGING ONLY.
- TERMINATION: STANDARD PART: SOLDER  
RoHS COMPLIANT PART: MATTE TIN.



X-2015 Rev-0

| CAP.    | TOLERANCE   | WVDC<br>+125°C | TEST<br>VOLTAGE | I.R.MIN. @<br>100 (VDC.) | IDC  | TYPICAL NO LOAD INSERTION LOSS dB AT 25°C PER MIL-STD-220 |         |       |
|---------|-------------|----------------|-----------------|--------------------------|------|---|---------|-------|
|         |             |                |                 |                          |      | 10 MHZ  | 100 MHZ | 1 GHZ |
| 5000 pF | -20% / +80% | 100 @+85°C     | 300 VDC         | 10 G Ω                   | 10 A | 15  | 55      | 70    |

|                 |                                       |   |    |               |    |               |   |  |
|-----------------|---------------------------------------|---|----|---------------|----|---------------|---|--|
| REVISION RECORD | 0                                     | ADDED PROPERTY NOTE.<br>REVISED NOTES 2.<br>S.M. 03-09-07 | 14 | 20050607-6-02 | 15 | 20070301-1-19 | --TOLERANCES--<br>Unless Otherwise Specified<br>DECIMAL ± .005 [0.12]<br>ANGLES ± | Title <b>SURFACE MOUNT ROUND STYLE PI FILTER</b><br>Drawn FG 9-9-94 Scale 10 X<br>Approved NV 9-9-94 |
|                 | Original Release C.O.                 |   |    |               |    |               |   |  |
|                 | ADDED NOTES 3,4 & 5.<br>S.M. 06-09-05 |   |    |               |    |               |   |  |
|                 | 20050607-6-02                         |   |    |               |    |               |   |  |
|                 |                                       |   |    |               |    |               | <b>A</b>  | <b>4700-056</b>  |

# Mouser Electronics

Authorized Distributor

Click to View Pricing, Inventory, Delivery & Lifecycle Information:

[Tusonix:](#)

[4700-056](#) [4700-056MLF](#)