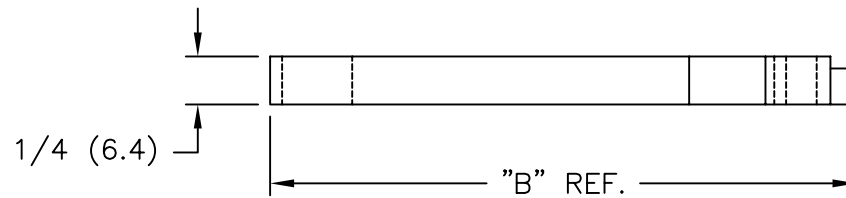
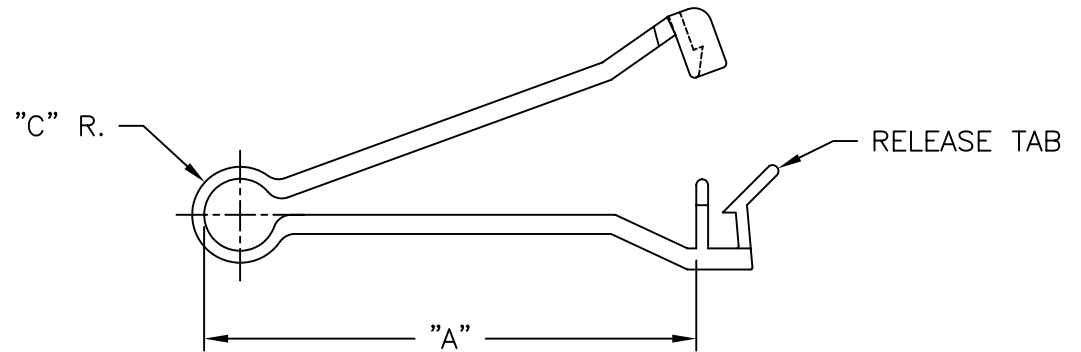


PART NO.	"A" MAX CABLE WIDTH	"B" REF.	"C" REF.
FCLCS	1.50 (38.1)	2.00 (50.8)	.23 (5.8)
FCLC	2.50 (63.5)	3.00 (76.2)	.25 (6.4)



NOTES:

1. MATERIAL: NYLON 6/6 (RMS-01)
2. COLOR: NATURAL.

TITLE: FLAT CABLE LOOP CLIPS			DWG IN IN (MM)		FINAL		
TOLERANCES UNLESS NOTED .XX=±.010 .XXX=±.005 FRAC=±1/64 ANG=±1°			FILE # FCLC	DWN: J.B.	APP:	PART # SEE TABLE	PRINT TYPE CA
A			MAT'L: SEE NOTES	DT: 04-30-97	DT:		
CHANGED FILE NO.	SM 12.04.01	ENGR DATE	RE: RICHCO, INC.	RICHCO INC. PO BOX 804238, CHICAGO, 60680 (773) 539-4060			
REV	DESCRIPTION						