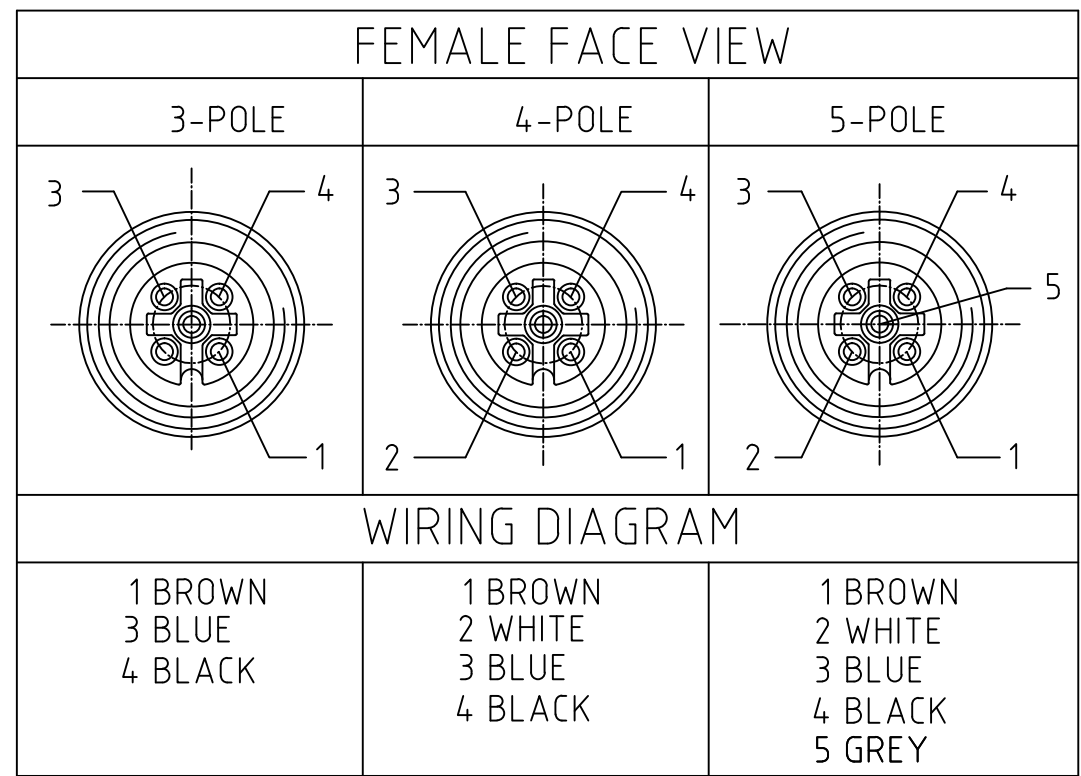


805001A09M020

no poles
3-5 pole

cable type
#22/3-5
PVC YELLOW

020----2 Meters
100----10 Meters



CONNECTOR SPECIFICATION:

| | |
|-----------------------|---------------------------------|
| VOLTAGE RATING | 250 VAC/VDC |
| AMPERAGE RATING | max. 4 AMPS |
| PROTECTION | IP67 |
| OPERATING TEMPERATURE | -20°C TO 105°C |
| UL CERTIFICATIONS | UL RECOGNIZED, FILE NO. E152210 |
| ASSEMBLY | RoHS COMPLIANT |

| COMPONENT | MATERIAL | FINISH |
|---|--------------|------------------|
| LABEL | MYLAR | BLACK/YELLOW |
| O-RING | VITON | RED |
| COUPLER | BRASS | NICKEL PLATED |
| PIN CONTACT | COPPER ALLOY | GOLD OVER NICKEL |
| INSERT | NYLON | BLACK |
| OVERMOLD | PUR | YELLOW |
| CABLE- 22/3-5 (TINNED COPPER STRANDING) 3/4/5 CONDUCT. 300V | JACKET: PVC | JACKET: YELLOW |

| MATERIAL NUMBER | ENGINEERING NUMBER | FINISHED LENGTH |
|-----------------|--------------------|----------------------------------|
| 1200651444 | 803001A09M020 | 6.56' +3.5" -0 [2.0M +89 -0] |
| 1200651551 | 804001A09M020 | 6.56' +3.5" -0 [2.0M +89 -0] |
| 1200651697 | 805001A09M020 | 6.56' +3.5" -0 [2.0M +89 -0] |
| 1200651567 | 804001A09M100 | 32.81' +12.5" -0 [10.0M +318 -0] |

| UPDATED COMPONENT EC NO.: IPG2018-0382 DRWN: CCHRASKY 2018/02/09 CHKD: MZIELINS 2018/02/09 APPR: BWOODMAN 2010/01/25 | QUALITY SYMBOLS ▽ = 0 ▽ = 0 | GENERAL TOLERANCES (UNLESS SPECIFIED) <table border="1"> <tr> <th></th> <th>mm</th> <th>INCH</th> </tr> <tr> <td>4 PLACES</td> <td>±---</td> <td>±---</td> </tr> <tr> <td>3 PLACES</td> <td>±---</td> <td>±.005</td> </tr> <tr> <td>2 PLACES</td> <td>±.13</td> <td>±.010</td> </tr> <tr> <td>1 PLACE</td> <td>±.25</td> <td>±.020</td> </tr> <tr> <td colspan="3">ANGULAR ± .5°</td> </tr> </table> | | mm | INCH | 4 PLACES | ±--- | ±--- | 3 PLACES | ±--- | ±.005 | 2 PLACES | ±.13 | ±.010 | 1 PLACE | ±.25 | ±.020 | ANGULAR ± .5° | | | DIMENSION STYLE IN/MM DRAWN BY: GGUSTAFS DATE: 2013/11/26 CHECKED BY: RE DATE: 2010/01/21 APPROVED BY: NSTAUDIG DATE: 2010/01/25 | SCALE: NTS DESIGN UNITS: INCH THIRD ANGLE PROJECTION |
|--|--|--|---|-------------------|------|----------|------|------|----------|------|-------|----------|------|-------|---------|------|-------|---------------|--|--|--|--|
| | | mm | INCH | | | | | | | | | | | | | | | | | | | |
| | 4 PLACES | ±--- | ±--- | | | | | | | | | | | | | | | | | | | |
| | 3 PLACES | ±--- | ±.005 | | | | | | | | | | | | | | | | | | | |
| | 2 PLACES | ±.13 | ±.010 | | | | | | | | | | | | | | | | | | | |
| 1 PLACE | ±.25 | ±.020 | | | | | | | | | | | | | | | | | | | | |
| ANGULAR ± .5° | | | | | | | | | | | | | | | | | | | | | | |
| B | DRAFT WHERE APPLICABLE MUST REMAIN WITHIN DIMENSIONS | SEE CHART | MICRO-CHANGE CORDSET 3-5 POLE FEMALE 90D 22/AWG YELLOW PVC CABLE | | | | | | | | | | | | | | | | | | | |
| | | | MOLEX INCORPORATED | | | | | | | | | | | | | | | | | | | |
| | | | DOCUMENT NO.: SD-120065-027 | SHEET NO.: 1 OF 1 | | | | | | | | | | | | | | | | | | |
| SIZE A3 | | THIS DRAWING CONTAINS INFORMATION THAT IS PROPRIETARY TO MOLEX INCORPORATED AND SHOULD NOT BE USED WITHOUT WRITTEN PERMISSION | | | | | | | | | | | | | | | | | | | | |

Mouser Electronics

Authorized Distributor

Click to View Pricing, Inventory, Delivery & Lifecycle Information:

[Molex:](#)

[1200651551](#)