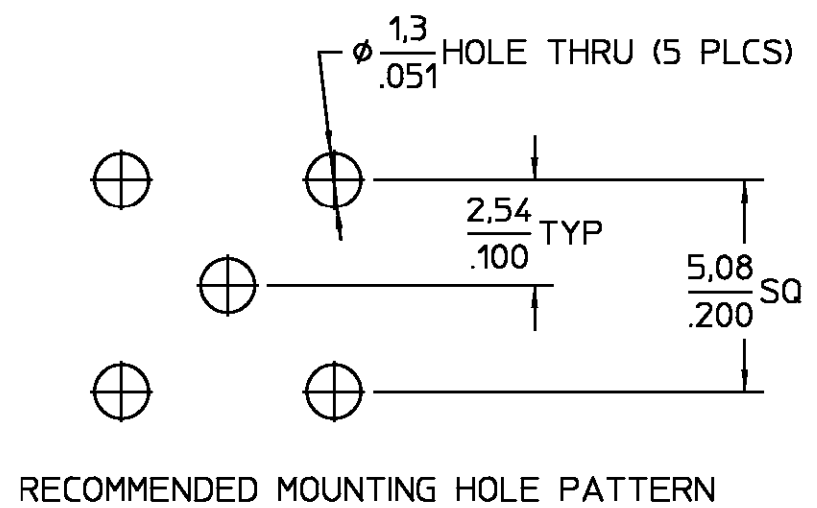


REVISIONS			
REV	DESCRIPTION	DATE	APPROVED
01 ₃	REVISED DATA TABLE PER ECN 95-0262	6/21/95	S. Mody
01 ₄	REVISED	DM 3/15/99	Wlog 3/16/99



ELECTRICAL	
Nominal Impedance (Ohms)	50
Frequency Range (GHz) DC to	6.0
Volt Rating (VRMS MAX)	
@ Sea Level	335
VSWR	N/A
Insertion Loss	N/A
Corona, 70,000 Ft (VRMS MIN)	250
Dielectric Withstanding Voltage (VRMS MIN) @ Sea Level	1000
Contact Resistance (Milliohms MAX)	
Center Contact	5.0
Outer Contact	1.0
Cable to Housing	1.0
RF High Potential @ Sea Level (VRMS MIN @ 5 MHz)	670
I.R.(Megohms MIN)	10,000

MECHANICAL	
Force to Engage: (Lbs)	3.4 MAX
& Disengage (Lbs)	1.77 MIN - 4.5 MAX
Center Contact Captivation Axial (Lbs) 4.5 @ 1 minute with .006" Displacement	

XX.XX = mm
.XXX = in

ENVIRONMENTAL	
Temperature Rating	-65° to +165°C
Vibration MIL-STD-202, Method 204, Condition B	
Thermal Shock MIL-STD-202, Method 107, Condition B	
Moisture Resistance MIL-STD-202, Method 106	
Corrosion - MIL-STD-202, Method 101, Condition B, 48 Hrs	

HOUSING CAP	BRASS PER ASTM-B-16 HALF HARD
DIELECTRIC	TFE FLUOROCARBON PER ASTM-D-1457
CENTER CONTACT	BERYLLIUM COPPER PER ASTM B 196, ALLOY C 17300, CONDITION H
COMPONENT	MATERIAL
UNLESS OTHERWISE SPECIFIED DIMENSIONS ARE IN MILLIMETERS TOLERANCE ON DEC. ANGLES ±0.13 ± 1°	
These drawings and specifications are the property of AMP incorporated and shall not be reproduced or copied or used in whole or in part as the basis for the manufacture or sale of item(s) without written permission.	

USE ASSY PROCEDURE	
NO. AP. N/A	
DRAWN BY E.F.HOYLE	DATE 10/1/90
CHECKED BY K.C.MAHER	10/6/90
APPD BY [Signature]	10/8/90
AMP Incorporated 140 Fourth Avenue Waltham, MA 02451-7599	

FINISH	
GOLD PLATE PER MIL-G-45204	
N/A	
GOLD PLATE PER MIL-G-45204	
TITLE OSX PRINTED WIRING BOARD RIGHT ANGLE JACK RECEPTACLE STRAIGHT TERMINAL	
SIZE B	CODE IDENT NO. 26805
SCALE 6:1	5864-5001-09
	REV 01 ₄
SHEET 1 OF 1	

CUSTOMER DRAWING

AMP PART # 1061022-1
SHEET 1 OF 1 REV A

Mouser Electronics

Authorized Distributor

Click to View Pricing, Inventory, Delivery & Lifecycle Information:

[TE Connectivity:](#)

[5864-5001-09](#)