


THIS DRAWING IS UNPUBLISHED. RELEASED FOR PUBLICATION  
 © COPYRIGHT - By - ALL RIGHTS RESERVED.

| LOC |    | DIST |     | REVISIONS                 |  |         |     |      |
|-----|----|------|-----|---------------------------|--|---------|-----|------|
| AD  | 39 | P    | LTR | DESCRIPTION               |  | DATE    | DWN | APVD |
|     |    | U3   |     | REVISED PER ECO-11-004587 |  | 11MAR11 | RK  | HMR  |

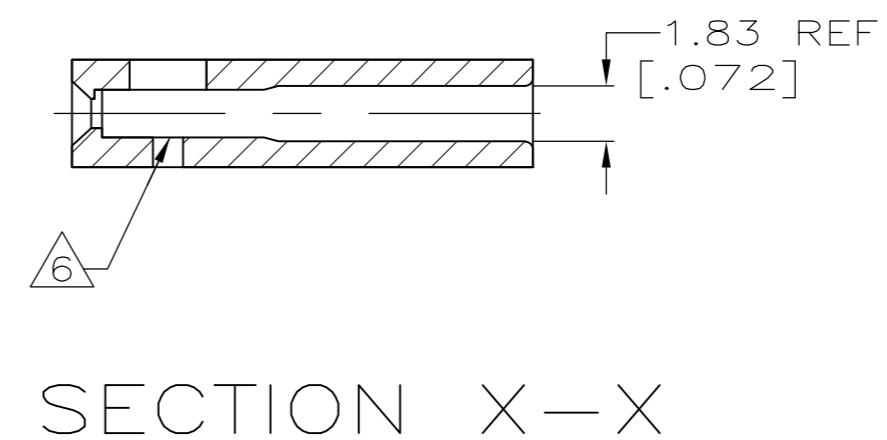
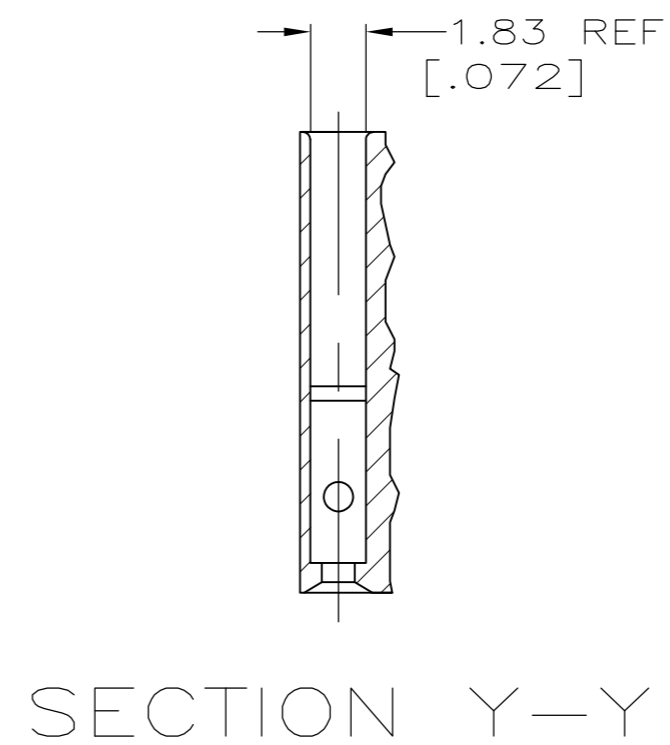
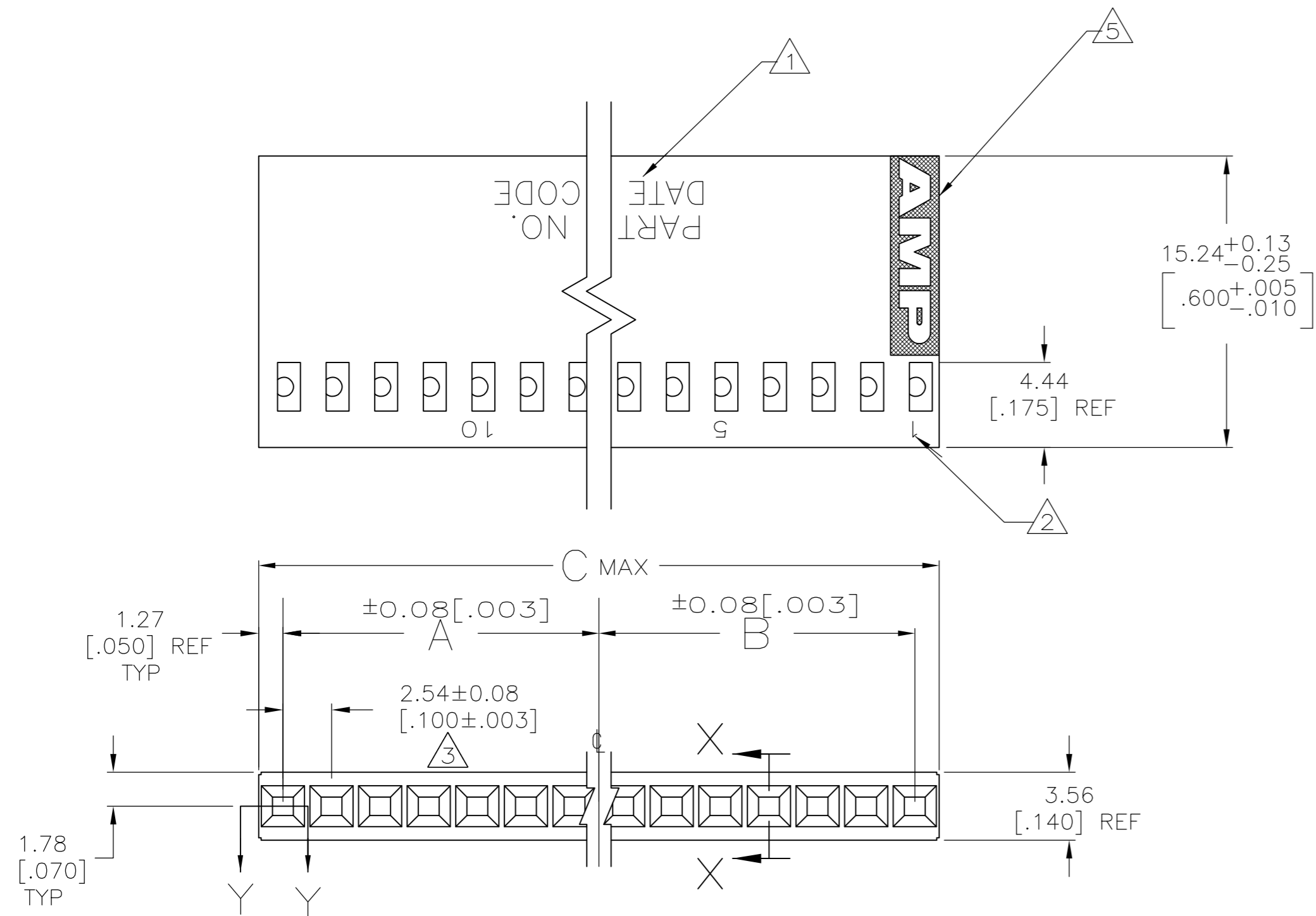
| NOTES                   | MARKING | C   | B             | A             | NO OF POSN    | PART NUMBER  |
|-------------------------|---------|-----|---------------|---------------|---------------|--------------|
| SUPERSEDED BY 3-87499-4 | △5      | -   | 45.85 [1.805] | 20.32 [.800]  | 22.86 [.900]  | 18 8-87499-9 |
| SUPERSEDED BY 3-87499-2 | △5      | -   | 43.31 [1.705] | 20.32 [.800]  | 20.32 [.800]  | 17 8-87499-8 |
| SUPERSEDED BY 3-87499-0 | △5      | -   | 40.77 [1.605] | 17.78 [.700]  | 20.32 [.800]  | 16 8-87499-7 |
| SUPERSEDED BY 2-87499-8 | △5      | -   | 38.23 [1.505] | 17.78 [.700]  | 17.78 [.700]  | 15 8-87499-6 |
| SUPERSEDED BY 2-87499-6 | △5      | -   | 35.69 [1.405] | 15.24 [.600]  | 17.78 [.700]  | 14 8-87499-5 |
| SUPERSEDED BY 2-87499-4 | △5      | -   | 33.15 [1.305] | 15.24 [.600]  | 15.24 [.600]  | 13 8-87499-4 |
| SUPERSEDED BY 2-87499-2 | △5      | -   | 30.61 [1.205] | 12.70 [.500]  | 15.24 [.600]  | 12 8-87499-3 |
| SUPERSEDED BY 2-87499-0 | △5      | -   | 28.07 [1.105] | 12.70 [.500]  | 12.70 [.500]  | 11 8-87499-2 |
| SUPERSEDED BY 1-87499-8 | △5      | -   | 25.53 [1.005] | 10.16 [.400]  | 12.70 [.500]  | 10 8-87499-1 |
| SUPERSEDED BY 1-87499-6 | △5      | -   | 22.99 [.905]  | 10.16 [.400]  | 10.16 [.400]  | 9 8-87499-0  |
| OBSOLETE                | △5      | -   | 20.45 [.805]  | 7.62 [.300]   | 10.16 [.400]  | 8 7-87499-9  |
| SUPERSEDED BY 87499-2   | △5      | -   | 17.91 [.705]  | 7.62 [.300]   | 7.62 [.300]   | 7 7-87499-8  |
| SUPERSEDED BY 1-87499-2 | △5      | -   | 15.37 [.605]  | 5.08 [.200]   | 7.62 [.300]   | 6 7-87499-7  |
| SUPERSEDED BY 1-87499-0 | △5      | -   | 12.83 [.505]  | 5.08 [.200]   | 5.08 [.200]   | 5 7-87499-6  |
| SUPERSEDED BY 87499-8   | △5      | -   | 10.29 [.405]  | 2.54 [.100]   | 5.08 [.200]   | 4 7-87499-5  |
| SUPERSEDED BY 87499-6   | △5      | -   | 7.75 [.305]   | 2.54 [.100]   | 2.54 [.100]   | 3 7-87499-4  |
| SUPERSEDED BY 87499-4   | △5      | -   | 5.21 [.205]   | -             | 2.54 [.100]   | 2 7-87499-3  |
|                         |         | -   | 2.67 [.105]   | -             | -             | 1 7-87499-2  |
| SUPERSEDED BY 7-87499-2 | -       | ALL | 2.67 [.105]   | -             | -             | 1 7-87499-1  |
|                         |         | -   | 91.57 [3.605] | 43.18 [1.700] | 45.72 [1.800] | 36 7-87499-0 |
| OBSOLETE                | -       | ALL | 91.57 [3.605] | 43.18 [1.700] | 45.72 [1.800] | 36 6-87499-9 |
| OBSOLETE                | -       | -   | 89.03 [3.505] | 43.18 [1.700] | 43.18 [1.700] | 35 6-87499-8 |
| OBSOLETE                | -       | ALL | 89.03 [3.505] | 43.18 [1.700] | 43.18 [1.700] | 35 6-87499-7 |
| OBSOLETE                | -       | -   | 86.49 [3.405] | 40.64 [1.600] | 43.18 [1.700] | 34 6-87499-6 |
| OBSOLETE                | -       | ALL | 86.49 [3.405] | 40.64 [1.600] | 43.18 [1.700] | 34 6-87499-5 |
| OBSOLETE                | -       | -   | 83.95 [3.305] | 40.64 [1.600] | 40.64 [1.600] | 33 6-87499-4 |
| OBSOLETE                | -       | ALL | 83.95 [3.305] | 40.64 [1.600] | 40.64 [1.600] | 33 6-87499-3 |
| OBSOLETE                | -       | -   | 81.41 [3.205] | 38.10 [1.500] | 40.64 [1.600] | 32 6-87499-2 |
| OBSOLETE                | -       | ALL | 81.41 [3.205] | 38.10 [1.500] | 40.64 [1.600] | 32 6-87499-1 |
| OBSOLETE                | -       | -   | 78.87 [3.105] | 38.10 [1.500] | 38.10 [1.500] | 31 6-87499-0 |
| OBSOLETE                | -       | ALL | 78.87 [3.105] | 38.10 [1.500] | 38.10 [1.500] | 31 5-87499-9 |
|                         |         | -   | 76.33 [3.005] | 35.56 [1.400] | 38.10 [1.500] | 30 5-87499-8 |
| OBSOLETE                | -       | ALL | 76.33 [3.005] | 35.56 [1.400] | 38.10 [1.500] | 30 5-87499-7 |
| OBSOLETE                | -       | -   | 73.79 [2.905] | 35.56 [1.400] | 35.56 [1.400] | 29 5-87499-6 |
| OBSOLETE                | -       | ALL | 73.79 [2.905] | 35.56 [1.400] | 35.56 [1.400] | 29 5-87499-5 |
|                         |         | -   | 71.25 [2.805] | 33.02 [1.300] | 35.56 [1.400] | 28 5-87499-4 |
| OBSOLETE                | -       | ALL | 71.25 [2.805] | 33.02 [1.300] | 35.56 [1.400] | 28 5-87499-3 |
| OBSOLETE                | -       | -   | 68.71 [2.705] | 33.02 [1.300] | 33.02 [1.300] | 27 5-87499-2 |
| OBSOLETE                | -       | ALL | 68.71 [2.705] | 33.02 [1.300] | 33.02 [1.300] | 27 5-87499-1 |
| OBSOLETE                | -       | -   | 66.17 [2.605] | 30.48 [1.200] | 33.02 [1.300] | 26 5-87499-0 |
| OBSOLETE                | -       | ALL | 66.17 [2.605] | 30.48 [1.200] | 33.02 [1.300] | 26 4-87499-9 |
| OBSOLETE                | -       | -   | 63.63 [2.505] | 30.48 [1.200] | 30.48 [1.200] | 25 4-87499-8 |

| MARKING                 | C        | B             | A             | NO OF POSN    | PART NUMBER                |
|-------------------------|----------|---------------|---------------|---------------|----------------------------|
| △7                      | OBSOLETE | ALL           | 63.63 [2.505] | 30.48 [1.200] | 30.48 [1.200] 25 4-87499-7 |
| △7                      | OBSOLETE | -             | 61.09 [2.405] | 27.94 [1.100] | 30.48 [1.200] 24 4-87499-6 |
| △7                      | OBSOLETE | ALL           | 61.09 [2.405] | 27.94 [1.100] | 30.48 [1.200] 24 4-87499-5 |
| △7                      | OBSOLETE | -             | 58.55 [2.305] | 27.94 [1.100] | 27.94 [1.100] 23 4-87499-4 |
| △7                      | OBSOLETE | ALL           | 58.55 [2.305] | 27.94 [1.100] | 27.94 [1.100] 23 4-87499-3 |
|                         |          | -             | 56.01 [2.205] | 25.40 [1.000] | 27.94 [1.100] 22 4-87499-2 |
| SUPERSEDED BY 4-87499-2 | ALL      | 56.01 [2.205] | 25.40 [1.000] | 27.94 [1.100] | 22 4-87499-1               |
|                         |          | -             | 53.47 [2.105] | 25.40 [1.000] | 25.40 [1.000] 21 4-87499-0 |
| OBSOLETE                | ALL      | 53.47 [2.105] | 25.40 [1.000] | 25.40 [1.000] | 21 3-87499-9               |
|                         |          | -             | 50.93 [2.005] | 22.86 [.900]  | 25.40 [1.000] 20 3-87499-8 |
|                         | ALL      | 50.93 [2.005] | 22.86 [.900]  | 25.40 [1.000] | 20 3-87499-7               |
| △7                      | OBSOLETE | -             | 48.39 [1.905] | 22.86 [.900]  | 22.86 [.900] 19 3-87499-6  |
| OBSOLETE                | ALL      | 48.39 [1.905] | 22.86 [.900]  | 22.86 [.900]  | 19 3-87499-5               |
|                         |          | -             | 45.85 [1.805] | 20.32 [.800]  | 22.86 [.900] 18 3-87499-4  |
| SUPERSEDED BY 3-87499-4 | ALL      | 45.85 [1.805] | 20.32 [.800]  | 22.86 [.900]  | 18 3-87499-3               |
|                         |          | -             | 43.31 [1.705] | 20.32 [.800]  | 20.32 [.800] 17 3-87499-2  |
| OBSOLETE                | ALL      | 43.31 [1.705] | 20.32 [.800]  | 20.32 [.800]  | 17 3-87499-1               |
|                         |          | -             | 40.77 [1.605] | 17.78 [.700]  | 20.32 [.800] 16 3-87499-0  |
|                         | ALL      | 40.77 [1.605] | 17.78 [.700]  | 20.32 [.800]  | 16 2-87499-9               |
|                         |          | -             | 38.23 [1.505] | 17.78 [.700]  | 17.78 [.700] 15 2-87499-8  |
|                         | ALL      | 38.23 [1.505] | 17.78 [.700]  | 17.78 [.700]  | 15 2-87499-7               |
|                         |          | -             | 35.69 [1.405] | 15.24 [.600]  | 17.78 [.700] 14 2-87499-6  |
|                         | ALL      | 35.69 [1.405] | 15.24 [.600]  | 17.78 [.700]  | 14 2-87499-5               |
|                         |          | -             | 33.15 [1.305] | 15.24 [.600]  | 15.24 [.600] 13 2-87499-4  |
|                         | ALL      | 33.15 [1.305] | 15.24 [.600]  | 15.24 [.600]  | 13 2-87499-3               |
|                         |          | -             | 30.61 [1.205] | 12.70 [.500]  | 15.24 [.600] 12 2-87499-2  |
|                         | ALL      | 30.61 [1.205] | 12.70 [.500]  | 15.24 [.600]  | 12 2-87499-1               |
|                         |          | -             | 28.07 [1.105] | 12.70 [.500]  | 12.70 [.500] 11 2-87499-0  |
|                         | ALL      | 28.07 [1.105] | 12.70 [.500]  | 12.70 [.500]  | 11 1-87499-9               |
|                         |          | -             | 25.53 [1.005] | 10.16 [.400]  | 12.70 [.500] 10 1-87499-8  |
|                         | ALL      | 25.53 [1.005] | 10.16 [.400]  | 12.70 [.500]  | 10 1-87499-7               |
|                         |          | -             | 22.99 [.905]  | 10.16 [.400]  | 10.16 [.400] 9 1-87499-6   |
|                         | ALL      | 22.99 [.905]  | 10.16 [.400]  | 10.16 [.400]  | 9 1-87499-5                |
|                         |          | -             | 20.45 [.805]  | 7.62 [.300]   | 10.16 [.400] 8 1-87499-4   |
|                         | ALL      | 20.45 [.805]  | 7.62 [.300]   | 10.16 [.400]  | 8 1-87499-3                |
|                         |          | -             | 15.37 [.605]  | 5.08 [.200]   | 7.62 [.300] 6 1-87499-2    |
|                         | ALL      | 15.37 [.605]  | 5.08 [.200]   | 7.62 [.300]   | 6 1-87499-1                |
|                         |          | -             | 12.83 [.505]  | 5.08 [.200]   | 5.08 [.200] 5 1-87499-0    |
|                         | ALL      | 12.83 [.505]  | 5.08 [.200]   | 5.08 [.200]   | 5 87499-9                  |
|                         |          | -             | 10.29 [.405]  | 2.54 [.100]   | 5.08 [.200] 4 87499-8      |
|                         | ALL      | 10.29 [.405]  | 2.54 [.100]   | 5.08 [.200]   | 4 87499-7                  |
|                         |          | -             | 7.75 [.305]   | 2.54 [.100]   | 2.54 [.100] 3 87499-6      |
|                         | ALL      | 7.75 [.305]   | 2.54 [.100]   | 2.54 [.100]   | 3 87499-5                  |
|                         |          | -             | 5.21 [.205]   | -             | 2.54 [.100] 2 87499-4      |
|                         | ALL      | 5.21 [.205]   | -             | 2.54 [.100]   | 2 87499-3                  |
|                         |          | -             | 17.91 [.705]  | 7.62 [.300]   | 7.62 [.300] 7 87499-2      |
|                         | ALL      | 17.91 [.705]  | 7.62 [.300]   | 7.62 [.300]   | 7 87499-1                  |

|  |  |                                  |   |                    |                       |                    |
|--|--|----------------------------------|---|--------------------|-----------------------|--------------------|
| THIS DRAWING IS A CONTROLLED DOCUMENT.   |  | DWN<br>E. BRANDBERG<br>21-JUN-95 |  TE Connectivity |                    |                       |                    |
| DIMENSIONS: mm   |  | CHK<br>S. SHUEY<br>21-JUN-95     |   |                    |                       |                    |
| TOLERANCES UNLESS OTHERWISE SPECIFIED:   |  | APVD<br>D. DUPLER<br>21-JUN-95   | NAME<br>HOUSING, MOD IV, SINGLE ROW, .100 CL, CRIMP SNAP-IN   |                    |                       |                    |
| 0 PLC ± -<br>1 PLC ± -<br>2 PLC ± 0.13[.005]<br>3 PLC ± -<br>4 PLC ± -<br>ANGLES ± - |  | PRODUCT SPEC<br>-                | SIZE<br>A2  | CAGE CODE<br>00779 | DRAWING NO<br>C=87499 | RESTRICTED TO<br>- |
| MATERIAL<br>FLAME RETARDANT  |  | FINISH<br>-                      | WEIGHT<br>-   | SCALE<br>4:1       | SHEET<br>1 of 2       | REV<br>U3          |
| CUSTOMER DRAWING   |  |                                  |   |                    |                       |                    |

THIS DRAWING IS UNPUBLISHED. RELEASED FOR PUBLICATION  
 © COPYRIGHT - By - ALL RIGHTS RESERVED.

| LOC | DIST | REVISIONS   |      |     |      |
|-----|------|-------------|------|-----|------|
| P   | LTR  | DESCRIPTION | DATE | DWN | APVD |
| AD  | 39   | SEE SHEET 1 | -    | -   | -    |



- ① PART NO & DATE CODE MARKED (WHITE), .062±.015 HIGH CHARS. IN APPROX. AREA SHOWN WHEN HOUSING SIZE PERMITS.
- ② CAVITY IDENT. MARKED (WHITE), .046±.015 HIGH CHARS., FIRST & EVERY FIFTH CAVITY, ONE SIDE AS SHOWN.
- ③ TOLERANCE NON-CUMULATIVE.
- 4. USE EXTRACTION TOOL 91052-1 TO REMOVE RECEPTACLE CONTACTS.
- ⑤ AMP LOGO MOLDED IN TEXTURED AREA AS SHOWN.
- ⑥ FLASH ALLOWED TO BE .015 IN THIS AREA.
- ⑦ OBSOLETE PARTS: OBSOLETE CIS STREAMLINING PER D.RENAUD/D.SINISI

|   |   |                                  |   |                       |       |   |   |       |   |            |       |   |   |       |   |   |        |   |   |                   |            |                    |
|---|---|----------------------------------|---|-----------------------|-------|---|---|-------|---|------------|-------|---|---|-------|---|---|--------|---|---|-------------------|------------|--------------------|
| THIS DRAWING IS A CONTROLLED DOCUMENT.  |   | DWN<br>E. BRANDBERG<br>21-JUN-95 |   |                       |       |   |   |       |   |            |       |   |   |       |   |   |        |   |   |                   |            |                    |
| DIMENSIONS: mm  |   | CHK<br>S. SHUEY<br>21-JUN-95     |   |                       |       |   |   |       |   |            |       |   |   |       |   |   |        |   |   |                   |            |                    |
| TOLERANCES UNLESS OTHERWISE SPECIFIED:  |   | APVD<br>D. DUPLER<br>21-JUN-95   | NAME<br>HOUSING, MOD IV, SINGLE ROW, .100 CL, CRIMP SNAP-IN |                       |       |   |   |       |   |            |       |   |   |       |   |   |        |   |   |                   |            |                    |
| <table border="1"> <tr><td>0 PLC</td><td>±</td><td>-</td></tr> <tr><td>1 PLC</td><td>±</td><td>-</td></tr> <tr><td>2 PLC</td><td>±</td><td>0.13[.005]</td></tr> <tr><td>3 PLC</td><td>±</td><td>-</td></tr> <tr><td>4 PLC</td><td>±</td><td>-</td></tr> <tr><td>ANGLES</td><td>±</td><td>-</td></tr> </table> |   | 0 PLC                            | ±   | -                     | 1 PLC | ± | - | 2 PLC | ± | 0.13[.005] | 3 PLC | ± | - | 4 PLC | ± | - | ANGLES | ± | - | PRODUCT SPEC<br>- | SIZE<br>A2 | CAGE CODE<br>00779 |
| 0 PLC   | ± | -                                |   |                       |       |   |   |       |   |            |       |   |   |       |   |   |        |   |   |                   |            |                    |
| 1 PLC   | ± | -                                |   |                       |       |   |   |       |   |            |       |   |   |       |   |   |        |   |   |                   |            |                    |
| 2 PLC   | ± | 0.13[.005]                       |   |                       |       |   |   |       |   |            |       |   |   |       |   |   |        |   |   |                   |            |                    |
| 3 PLC   | ± | -                                |   |                       |       |   |   |       |   |            |       |   |   |       |   |   |        |   |   |                   |            |                    |
| 4 PLC   | ± | -                                |   |                       |       |   |   |       |   |            |       |   |   |       |   |   |        |   |   |                   |            |                    |
| ANGLES  | ± | -                                |   |                       |       |   |   |       |   |            |       |   |   |       |   |   |        |   |   |                   |            |                    |
| MATERIAL<br>FLAME RETARDANT   |   | FINISH<br>-                      | WEIGHT<br>-   | DRAWING NO<br>C=87499 |       |   |   |       |   |            |       |   |   |       |   |   |        |   |   |                   |            |                    |
| CUSTOMER DRAWING  |   |                                  | SCALE<br>4:1  | SHEET<br>2 OF 2       |       |   |   |       |   |            |       |   |   |       |   |   |        |   |   |                   |            |                    |
|   |   |                                  | RESTRICTED TO<br>-  | REV<br>U3             |       |   |   |       |   |            |       |   |   |       |   |   |        |   |   |                   |            |                    |

# Mouser Electronics

Authorized Distributor

Click to View Pricing, Inventory, Delivery & Lifecycle Information:

[TE Connectivity:](#)

[1-87499-3](#)