



Rabbit 2000[®] Microprocessor

User's Manual

019-0069 • 070831-P

Rabbit 2000 Microprocessor User's Manual

Part Number 019-0069 • 070831-P • Printed in U.S.A.

©2002–2007 Rabbit Semiconductor Inc. • All rights reserved.

No part of the contents of this manual may be reproduced or transmitted in any form or by any means without the express written permission of Rabbit Semiconductor.

Permission is granted to make one or more copies as long as the copyright page contained therein is included. These copies of the manuals may not be let or sold for any reason without the express written permission of Rabbit Semiconductor.

Rabbit Semiconductor reserves the right to make changes and improvements to its products without providing notice.

Trademarks

Rabbit and Dynamic C are registered trademarks of Rabbit Semiconductor Inc.

Rabbit 2000 is a trademark of Rabbit Semiconductor Inc.

The latest revision of this manual is available on the Rabbit Semiconductor Web site, www.rabbit.com, for free, unregistered download.

Rabbit Semiconductor Inc.

www.rabbit.com

TABLE OF CONTENTS

Chapter 1. Introduction	1
1.1 Features and Specifications	1
1.2 Summary of Rabbit Advantages	5
Chapter 2. Rabbit Design Features	7
2.1 The Rabbit 8-bit Processor vs. 16-bit and 32-bit Processors	8
2.2 Overview of On-Chip Peripherals.....	8
2.2.1 Serial Ports	8
2.2.2 System Clock	8
2.2.3 Time/Date Oscillator	9
2.2.4 Parallel I/O	9
2.2.5 Slave Port	10
2.2.6 Timers	10
2.3 Design Standards	12
2.3.1 Programming Port	12
2.3.2 Standard BIOS	12
2.4 Dynamic C Support for the Rabbit.....	12
Chapter 3. Details on Rabbit	
Microprocessor Features	13
3.1 Processor Registers	13
3.2 Memory Mapping	15
3.2.1 Extended Code Space	18
3.2.2 Extending Data Memory	19
3.2.3 Practical Memory Considerations	21
3.3 Instruction Set Outline	22
3.3.1 Load Immediate Data To a Register	23
3.3.2 Load or Store Data from or to a Constant Address	23
3.3.3 Load or Store Data Using an Index Register	24
3.3.4 Register to Register Move	25
3.3.5 Register Exchanges	25
3.3.6 Push and Pop Instructions	26
3.3.7 16-bit Arithmetic and Logical Ops	26
3.3.8 Input/Output Instructions	29
3.4 How to Do It in Assembly Language—Tips and Tricks	31
3.4.1 Zero HL in 4 Clocks	31
3.4.2 Exchanges Not Directly Implemented	31
3.4.3 Manipulation of Boolean Variables	31
3.4.4 Comparisons of Integers	32
3.4.5 Atomic Moves from Memory to I/O Space	34
3.5 Interrupt Structure	35
3.5.1 Interrupt Priority	35
3.5.2 Multiple External Interrupting Devices	37
3.5.3 Privileged Instructions, Critical Sections and Semaphores	37
3.5.4 Critical Sections	38
3.5.5 Semaphores Using Bit B,(HL)	38
3.5.6 Computed Long Calls and Jumps	39

Chapter 4. Rabbit Capabilities	41
4.1 Precisely Timed Output Pulses	41
4.1.1 Pulse Width Modulation to Reduce Relay Power	43
4.2 Open-Drain Outputs Used for Key Scan	44
4.3 Cold Boot	45
4.4 The Slave Port	46
4.4.1 Slave Rabbit As A Protocol UART	47
Chapter 5. Pin Assignments and Functions	49
5.1 Package Schematic and Pinout	49
5.2 Package Mechanical Dimensions	50
5.3 Rabbit Pin Descriptions	52
5.4 Bus Timing	58
5.5 Description of Pins with Alternate Functions	59
5.6 DC Characteristics	61
5.6.1 5.0 Volts	62
5.6.2 3.3 Volts	63
5.7 I/O Buffer Sourcing and Sinking Limit	64
Chapter 6. Rabbit Internal I/O Registers	65
6.1 Default Values for all the Peripheral Control Registers	65
Chapter 7. Miscellaneous I/O Functions	71
7.1 Processor Identification	71
7.2 Rabbit Oscillators and Clocks	72
7.3 Clock Doubler	74
7.4 Controlling Power Consumption	76
7.5 Output Pins CLK, STATUS, /WDTOUT, /BUFEN	77
7.6 Time/Date Clock (Real-Time Clock)	78
7.7 Watchdog Timer	80
7.8 System Reset	82
7.9 Rabbit Interrupt Structure	84
7.9.1 External Interrupts	86
7.9.2 Interrupt Vectors: INT0 - EIR,0x00/INT1 - EIR,0x08	87
7.10 Bootstrap Operation	88
Chapter 8. Memory Mapping and Interface	91
8.1 Memory-Mapping Unit	91
8.2 Memory Interface Unit	93
8.3 Memory Control Unit Registers	94
8.3.1 Memory Bank Control Registers	94
8.3.2 MMU Instruction/Data Register	95
8.3.3 Memory Timing Control Register	95
8.4 Allocation of Extended Code and Data	96
8.5 How Compiler Compiles to Memory	97
Chapter 9. Parallel Ports	99
9.1 Parallel Port A	100
9.2 Parallel Port B	101
9.3 Parallel Port C	102
9.4 Parallel Port D	103
9.5 Parallel Port E	106
Chapter 10. I/O Bank Control Registers	109

Chapter 11. Timers	111
11.1 Timer A.....	112
11.1.1 Timer A I/O Registers	113
11.1.2 Practical Use of Timer A	114
11.2 Timer B.....	115
11.2.1 Using Timer B	117
Chapter 12. Rabbit Serial Ports	119
12.1 Serial Port Register Layout.....	120
12.2 Serial Port Interrupt	123
12.3 Transmit Serial Data Timing.....	124
12.4 Receive Serial Data Timing.....	124
12.5 Clocked Serial Ports.....	125
12.6 Clocked Serial Timing.....	128
12.6.1 Clocked Serial Timing With Internal Clock	128
12.6.2 Clocked Serial Timing with External Clock	128
12.7 Serial Port Software Suggestions	129
12.7.1 Controlling an RS-485 Driver and Receiver	131
12.7.2 Transmitting Dummy Characters	131
12.7.3 Transmitting and Detecting a Break	131
12.7.4 Using A Serial Port to Generate a Periodic Interrupt	131
12.7.5 Extra Stop Bits, Sending Parity, 9th Bit Communication Schemes	132
12.7.6 Supporting 9th Bit Communication Protocols	134
12.7.7 Rabbit-Only Master/Slave Protocol	135
12.7.8 Data Framing/Modbus	135
Chapter 13. Rabbit Slave Port	137
13.1 Hardware Design of Slave Port Interconnection.....	143
13.2 Slave Port Registers	143
13.3 Applications and Communications Protocols for Slaves	145
13.3.1 Slave Applications	145
13.3.2 Master-Slave Messaging Protocol	146
Chapter 14. Rabbit 2000 Clocks	149
14.1 Low-Power Design	150
14.2 Clock Spectrum Spreader Module.....	150
Chapter 15. AC Timing Specifications	151
15.1 Memory Access and I/O Read/Write Times	154
15.2 Current Consumption	162
Chapter 16. Rabbit BIOS and Virtual Driver	165
16.1 The BIOS	165
16.1.1 BIOS Services	165
16.1.2 BIOS Assumptions	166
16.2 Virtual Driver	166
16.2.1 Periodic Interrupt	166
16.2.2 Watchdog Timer Support	166
Chapter 17. Other Rabbit Software	169
17.1 Power Management Support.....	169
17.2 Reading and Writing I/O Registers.....	170
17.2.1 Using Assembly Language	170
17.2.2 Using Library Functions	170
17.3 Shadow Registers	171
17.3.1 Updating Shadow Registers	171

17.3.2	Interrupt While Updating Registers	171
17.3.3	Write-only Registers Without Shadow Registers	172
17.4	Timer and Clock Usage	172
Chapter 18.	Rabbit Instructions	175
18.1	Load Immediate Data	178
18.2	Load & Store to Immediate Address.....	178
18.3	8-bit Indexed Load and Store	178
18.4	16-bit Indexed Loads and Stores.....	178
18.5	16-bit Load and Store 20-bit Address	179
18.6	Register to Register Moves.....	179
18.7	Exchange Instructions	180
18.8	Stack Manipulation Instructions	180
18.9	16-bit Arithmetic and Logical Ops.....	180
18.10	8-bit Arithmetic and Logical Ops.....	181
18.11	8-bit Bit Set, Reset and Test.....	182
18.12	8-bit Increment and Decrement.....	182
18.13	8-bit Fast A register Operations	183
18.14	8-bit Shifts and Rotates	183
18.15	Instruction Prefixes	184
18.16	Block Move Instructions	184
18.17	Control Instructions - Jumps and Calls	185
18.18	Miscellaneous Instructions	185
18.19	Privileged Instructions	186
Chapter 19.	Differences Rabbit vs. Z80/Z180 Instructions	187
Chapter 20.	Instructions in Alphabetical Order With Binary Encoding	189
Appendix A.	The Rabbit Programming Port	197
A.1	The Rabbit Programming Port	197
A.2	Use of the Programming Port as a Diagnostic/Setup Port.....	198
A.3	Alternate Programming Port	198
A.4	Suggested Rabbit Crystal Frequencies	199
Appendix B.	Rabbit 2000 Revisions	201
B.1	Rabbit 2000 Revisions.....	201
B.2	Discussion of Fixes and Improvements	203
B.2.1	Rabbit Internal I/O Registers	204
B.2.2	Revision-Level ID Register	205
B.2.3	Serial Port Changes	207
B.2.4	Improved Battery-Backup Circuit	209
B.2.5	Added Support for Instruction/Data Split	211
B.2.6	Write Inhibit (/WE0) After Reset	213
B.2.7	Chip Selects Inactive During Internal I/O	213
B.2.8	External Interrupt Input Bug Fix	213
B.2.9	IOI/IOE Prefix Bug Fix	213
B.2.10	DDCB/FDCB Instruction Page and Wait State Bug Fixes	214
B.2.11	LDIR/LDDR Instruction/Data Split Bug Fix	214
B.2.12	Clock Spectrum Spreader Module	215
B.2.13	Early Memory Output-Enable Feature	218
Index		219

1. INTRODUCTION

Rabbit Semiconductor was formed expressly to design a better microprocessor for use in small and medium-scale controllers. The first product is the *Rabbit 2000* microprocessor. The Rabbit 2000 designers have had years of experience using Z80, Z180 and HD64180 microprocessors in small controllers. The Rabbit shares a similar architecture and a high degree of compatibility with these microprocessors, but it is a vast improvement.

The Rabbit has been designed in close cooperation with Z-World, Inc., a long-time manufacturer of low-cost single-board computers. Z-World and Rabbit Semiconductor products are supported by an innovative C-language development system (Dynamic C).

The Rabbit 2000 is easy to use. Hardware and software interfaces are as uncluttered and are as foolproof as possible. The Rabbit 2000 has outstanding computation speed for a microprocessor with an 8-bit bus. This is because the Z80-derived instruction set is very compact and the design of the memory interface allows maximum utilization of the memory bandwidth. The Rabbit races through instructions.

Traditional microprocessor hardware and software development is simplified for Rabbit users. In-circuit emulators are not needed and will not be missed by the Rabbit developer. Software development is accomplished by connecting a simple interface cable from a PC serial port to the Rabbit-based target system.

1.1 Features and Specifications

- 100-pin PQFP package. Operating voltage 2.7 V to 5 V. Clock speed to 30 MHz. All specifications are given for both industrial and commercial temperature and voltage ranges. Rabbit microprocessors cost under \$10 in moderate quantities.
- Industrial specifications are for a voltage variation of 10% and a temperature range from -40°C to $+85^{\circ}\text{C}$. Commercial specifications are for a voltage variation of 5% and a temperature range from 0°C to 70°C .
- 1-megabyte code space allows C programs with up to 50,000+ lines of code. The extended Z80-style instruction set is C-friendly, with short and fast instructions for most common C operations.
- Four levels of interrupt priority make a fast interrupt response practical for critical applications. The maximum time to the first instruction of an interrupt routine is about 1 μs at a clock speed of 25 MHz.

- Access to I/O devices is accomplished by using memory access instructions with an I/O prefix. Access to I/O devices is thus faster and easier compared to processors with a restricted I/O instruction set.
- The hardware design rules are simple. Up to six static memory chips (such as RAM and flash EPROM) connect directly to the microprocessor with no glue logic. Even larger amounts of memory can be handled by using parallel I/O lines as high-order address lines. The Rabbit runs with no wait states at 24 MHz with a memory having an access time of 70 ns. There are two clocks per memory access. Most I/O devices may be connected without glue logic.

The memory cycle is two clocks long. A clean memory and I/O cycle completely avoid the possibility of tri-state fights. Peripheral I/O devices can usually be interfaced in a glueless fashion using pins programmable as I/O chip selects, I/O read strobes or I/O write strobe pins. A built-in clock doubler allows 1/2-frequency crystals to be used to reduce radiated emissions.

- The Rabbit may be cold-booted via a serial port or the parallel access slave port. This means that flash program memory may be soldered in unprogrammed, and can be reprogrammed at any time without any assumption of an existing program or BIOS. A Rabbit that is slaved to a master processor can operate entirely with volatile RAM, depending on the master for a cold program boot.
- There are 40 parallel I/O lines (shared with serial ports). Some I/O lines are timer synchronized, which permits precisely timed edges and pulses to be generated under combined hardware and software control.
- There are four serial ports. All four serial ports can operate asynchronously in a variety of customary operating modes; two of the ports can also be operated synchronously to interface with serial I/O devices. The baud rates can be very high—1/32 the clock speed for asynchronous operation, and 1/6 the clock speed externally or 1/4 the clock speed internally in synchronous mode. In asynchronous mode, the Rabbit, like the Z180, supports sending flagged bytes to mark the start of a message frame. The flagged bytes have 9 data bits rather than 8 data bits; the extra bit is located after the first 8 bits, where the stop bit is normally located, and marks the start of a message frame.
- A slave port allows the Rabbit to be used as an intelligent peripheral device slaved to a master processor. The 8-bit slave port has six 8-bit registers, 3 for each direction of communication. Independent strobes and interrupts are used to control the slave port in both directions. Only a Rabbit and a RAM chip are needed to construct a complete slave system if the clock and reset are shared with the master processor
- The built-in battery-backable time/date clock uses an external 32.768 kHz crystal. The time/date clock can also be used to provide periodic interrupts every 488 μ s. Typical battery current consumption is 25 μ A with the suggested battery circuit. An alternative circuit provides means for substantially reducing this current.
- Numerous timers and counters (six all together) can be used to generate interrupts, baud rate clocks, and timing for pulse generation.

- The built-in main clock oscillator uses an external crystal or more usually a ceramic resonator. Typical resonator frequencies are in the range of 1.8 MHz to 29.5 MHz. Since precision timing is available from the separate 32.768 kHz oscillator, a low-cost ceramic resonator with ½ percent error is generally satisfactory. The clock can be doubled or divided by 8 to modify speed and power dynamically. The I/O clock, which clocks the serial ports, is divided separately so as not to affect baud rates and timers when the processor clock is divided or multiplied. For ultra low power operation, the processor clock can be driven from the separate 32.768 kHz oscillator and the main oscillator can be powered down. This allows the processor to operate at approximately 100 μ A and still execute instructions at the rate of approximately 10,000 instructions per second. This is a powerful alternative to sleep modes of operation used by other processors. The current is approximately 65 mA at 25 MHz and 5 V. The current is proportional to voltage and clock speed—at 3.3 V and 7.68 MHz the current would be 13 mA, and at 1 MHz the current is reduced to less than 2 mA. Flash memory with automatic power down (from AMD) should be used for operation at the lowest power.
- The excellent floating-point performance is due to a tightly coded library and powerful processing capability. For example, a 25 MHz clock takes 14 μ s for a floating add, 13 μ s for a multiply, and 40 μ s for a square root. In comparison, a 386EX processor running with an 8-bit bus at 25 MHz and using Borland C is about 10 times slower.
- There is a built-in watchdog timer.
- The standard 10-pin programming port eliminates the need for in-circuit emulators. A very simple 10 pin connector can be used to download and debug software using Rabbit Semiconductor's Dynamic C and a simple connection to a PC serial port. The incremental cost of the programming port is extremely small.

Figure 1-1 shows a block diagram of the Rabbit.

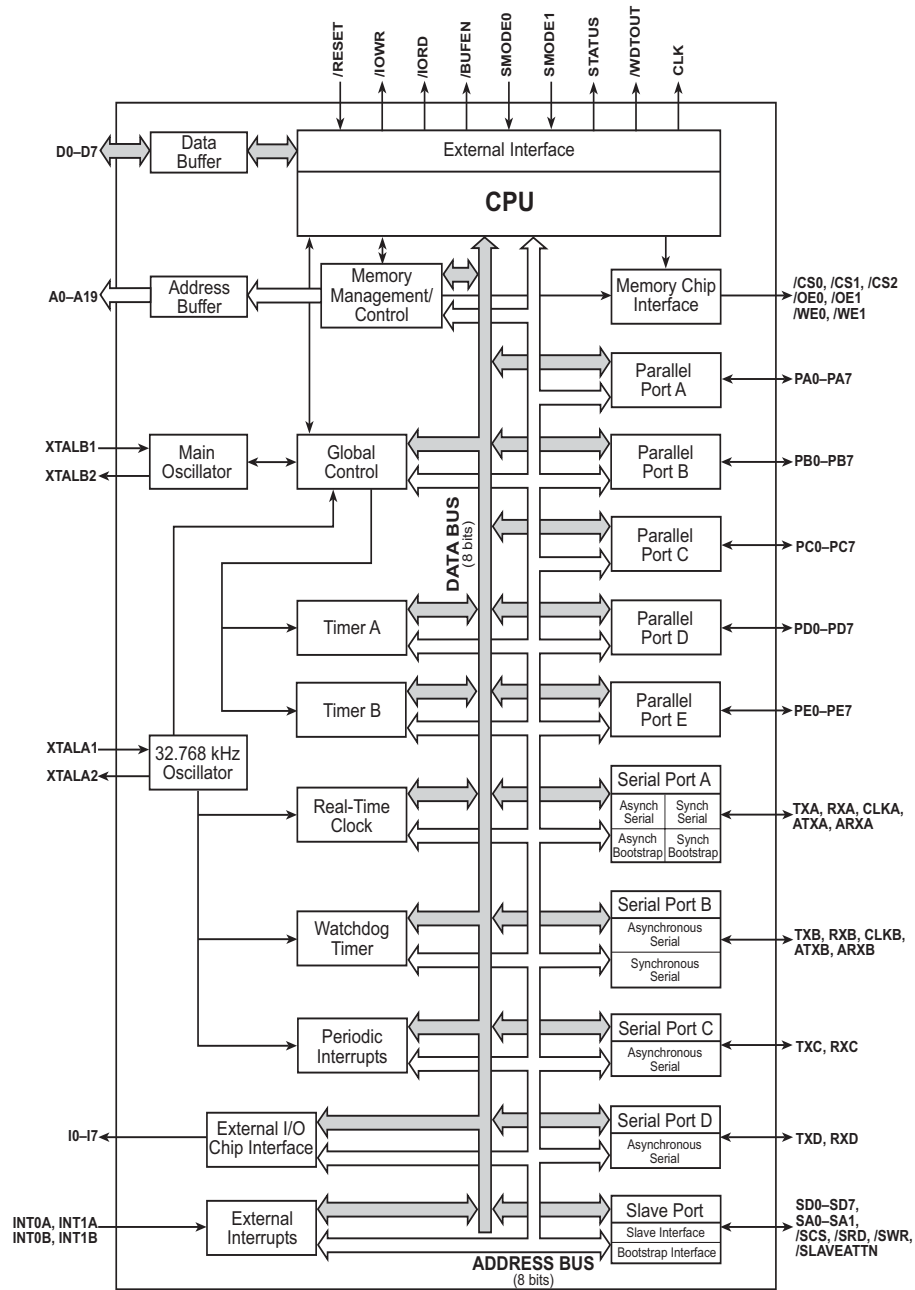


Figure 1-1. Block Diagram of the Rabbit Microprocessor

1.2 Summary of Rabbit Advantages

- The glueless architecture makes it is easy to design the hardware system.
- There are a lot of serial ports and they can communicate very fast.
- Precision pulse and edge generation is a standard feature.
- Interrupts can have multiple priorities.
- Processor speed and power consumption are under program control.
- The ultra low power mode can perform computations and execute logical tests since the processor continues to execute, albeit at 32 kHz.
- The Rabbit may be used to create an intelligent peripheral or a slave processor. For example, protocol stacks can be off loaded to a Rabbit slave. The master can be any processor.
- The Rabbit can be cold booted so unprogrammed flash memory can be soldered in place.
- You can write serious software, be it 1,000 or 50,000 lines of C code. The tools are there and they are low in cost.
- If you know the Z80 or Z180, you know most of the Rabbit.
- A simple 10-pin programming interface replaces in-circuit emulators and PROM programmers.
- The battery backable time/date clock is included.
- The standard Rabbit chip is made to industrial temperature and voltage specifications.



2. RABBIT DESIGN FEATURES

The Rabbit is an evolutionary design. The instruction set and the register layout is that of the Z80 and Z180. The instruction set has been augmented by a substantial number of new instructions. Some obsolete or redundant Z180 instructions have been dropped to make available efficient 1-byte opcodes for important new instructions. (see “Differences Rabbit vs. Z80/Z180 Instructions” on page 187.) The advantage of this evolutionary approach is that users familiar with the Z80 or Z180 can immediately understand the Rabbit. Existing source code can be assembled or compiled for the Rabbit with minimal changes.

Changing technology has made some features of the Z80/Z180 family obsolete, and these have been dropped. For example, the Rabbit has no special support for dynamic RAM but it has extensive support for static memory. This is because the price of static memory has decreased to the point that it has become the preferred choice for medium-scale embedded systems. The Rabbit has no support for DMA (direct memory access) because most of the uses for which DMA is traditionally used do not apply to embedded systems, or they can be accomplished better in other ways, such as fast interrupt routines, external state machines or slave processors.

Our experience in writing C compilers has revealed the shortcomings of the Z80 instruction set for executing the C language. The main problem is the lack of instructions for handling 16-bit words and for accessing data at a computed address, especially when the stack contains that data. New instructions correct these problems.

Another problem with many 8-bit processors is their slow execution and a lack of number-crunching ability. Good floating-point arithmetic is an important productivity feature in smaller systems. It is easy to solve many programming problems if an adequate floating-point capability is available. The Rabbit’s improved instruction set provides fast floating-point and fast integer math capabilities.

The Rabbit supports four levels of interrupt priorities. This is an important feature that allows the effective use of super fast interrupt routines for real-time tasks.

2.1 The Rabbit 8-bit Processor vs. 16-bit and 32-bit Processors

The Rabbit is an 8-bit processor with an 8-bit external data bus and an 8-bit internal data bus. Because the Rabbit makes the most of its external 8-bit bus and because it has a compact instruction set, its performance is as good as many 16-bit processors. Thus the Rabbit can handle many 16-bit operations.

We hesitate to compare the Rabbit to 32-bit processors, but there are undoubtedly occasions where the user can use a Rabbit instead of a 32-bit processor and save a vast amount of money. Many Rabbit instructions are 1 byte long. In contrast, the minimum instruction length on most 32-bit RISC processors is 32 bits.

2.2 Overview of On-Chip Peripherals

The on-chip peripherals were chosen based on our experience as to what types of peripheral devices are most useful in small embedded systems. The major on-chip peripherals are the serial ports, system clock, time/date oscillator, parallel I/O, slave port, and timers. These are described below.

2.2.1 Serial Ports

There are four serial ports designated ports A, B, C, and D. All four serial ports can operate in an asynchronous mode up to the baud rate of the system clock divided by 32. The asynchronous ports can handle 7 or 8 data bits. A 9th bit address scheme, where an additional bit is sent to mark the first byte of a message, is also supported. The software can tell when the last byte of a message has finished transmitting from the output shift register - correcting an important defect of the Z180. This is important for RS-485 communication because the line driver cannot have the direction of transmission reversed until the last bit has been sent. In many UARTs, including those on the Z180, it is difficult to generate an interrupt after the last bit is sent. Parity bits and multiple stop bits are not supported directly by the Rabbit, but can be accomplished with appropriate driving software.

Serial ports A and B can be operated alternately in the clocked serial mode. In this mode, a clock line synchronously clocks the data in or out. Either device of the two devices communicating can supply the clock. When the Rabbit provides the clock, the baud rate can be up to 1/4 of the system clock frequency, or more than 7,375,000 bps for a 29.5 MHz clock speed.

Serial port A has special features. It can be used to cold boot the system after reset. Serial port A is the normal port that is used for software development under Dynamic C.

2.2.2 System Clock

The main oscillator uses an external crystal with a frequency typically in the range from 1.8 MHz to 29.5 MHz. The processor clock is derived from the oscillator output by either doubling the frequency, using the frequency directly, or dividing the frequency by 8. The processor clock can also be driven by the 32.768 kHz oscillator for very low power operation, in which case the main oscillator can be shut down under software control.

Table 2-1 provides estimates of the operating power for selected clock speeds.

Table 2-1. Operating Power Estimates at Selected Clock Speeds

Clock Speed (MHz)	Voltage (V)	Current (mA)	Power (mW)	Clock Speed (MHz)	Voltage (V)	Current (mA)	Power (mW)
25.0	5.0	80	400	6.0	2.5	10	25
12.5	5.0	40	200	3.0	2.5	5	12
12.5	3.3	26	87	1.5	2.5	2.5	6
6.0	3.3	13	42	0.032	2.5	0.054	0.135

2.2.3 Time/Date Oscillator

The 32.768 kHz oscillator drives an external 32.768 kHz quartz crystal. The 32.768 kHz clock is used to drive a battery-backable (there is a separate power pin) internal 48-bit counter that serves as a real-time clock (RTC). The counter can be set and read by software and is intended for keeping the date and time. There are enough bits to keep the date for more than 100 years. The 32.768 kHz oscillator is also used to drive the watchdog timer and to generate the baud clock for serial port A during the cold boot sequence.

2.2.4 Parallel I/O

There are 40 parallel input/output lines divided among five 8-bit ports designated A through E. Most of the port lines have alternate functions, such as serial data or chip select strobes. Parallel ports D and E have the capability of timer-synchronized outputs. The output registers are cascaded.

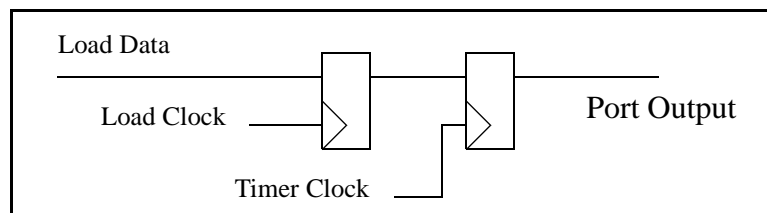


Figure 2-1. Cascaded Output Registers for Parallel Ports D and E

Stores to the port are loaded in the first-level register. That register in turn is transferred to the output register on a selected timer signal. The timer signal can also cause an interrupt that can be used to set up the next bit to be output on the next timer pulse. This feature can be used to generate precisely controlled pulses whose edges are positioned with high accuracy in time. Applications include communications signaling, pulse width modulation and driving stepper motors.

2.2.5 Slave Port

The slave port is designed to allow the Rabbit to be a slave to another processor, which could be another Rabbit. The port is shared with parallel port A and is a bidirectional data port. The master can read any of three registers selected via two select lines that form the register address and a read strobe that causes the register contents to be output by the port. These same registers can be written as I/O registers by the Rabbit slave. Three additional registers transmit data in the opposite direction. They are written by the master by means of the two select lines and a write strobe.

Figure 2-2 shows the data paths in the slave port.

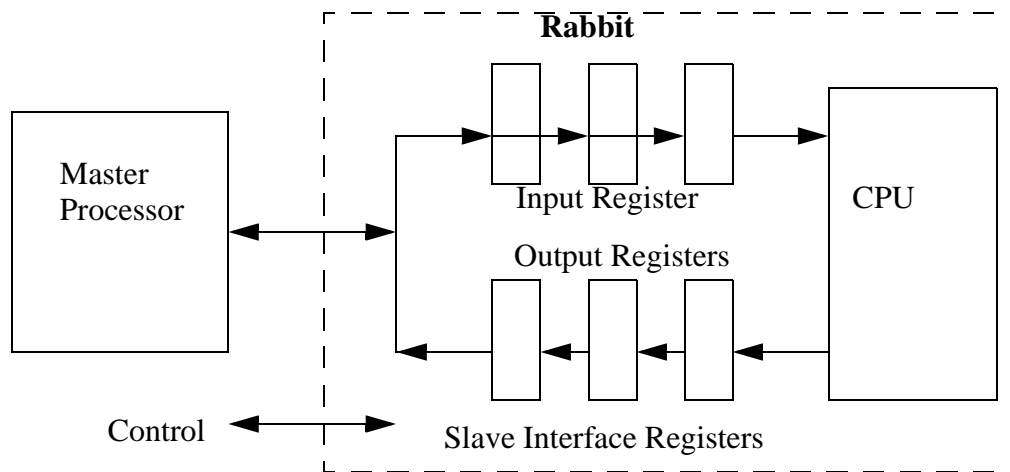


Figure 2-2. Slave-Port Data Paths

The slave Rabbit can read the same registers as I/O registers. When incoming data bits are written into one of the registers, status bits indicate which registers have been written, and an optional interrupt can be programmed to take place when the write occurs. When the slave writes to one of the registers carrying data bits outward, an attention line is enabled so that the master can detect the data change and be interrupted if desired. One line tells the master that the slave has read all the incoming data. Another line tells the master that new outgoing data bits are available and have not yet been read by the master. The slave port can be used to direct the master to perform tasks using a variety of communication protocols over the slave port.

2.2.6 Timers

The Rabbit has several timer systems. The periodic interrupt is driven by the 32.768 kHz oscillator divided by 16, giving an interrupt every 488 μ s if enabled. This is intended to be used as a general-purpose clock interrupt. Timer A consists of five 8-bit countdown and reload registers that can be cascaded up to two levels deep. Each countdown register can be set to divide by any number between 1 and 256. The output of four of the timers is used to provide baud clocks for the serial ports. Any of these registers can also cause interrupts and clock the timer-synchronized parallel output ports. Timer B consists of a 10-bit

counter that can be read but not written. There are two 10-bit match registers and comparators. If the match register matches the counter, a pulse is output. Thus the timer can be programmed to output a pulse at a predetermined count in the future. This pulse can be used to clock the timer-synchronized parallel-port output registers as well as cause an interrupt. Timer B is convenient for creating an event at a precise time in the future under program control.

Figure 2-3 illustrates the Rabbit timers.

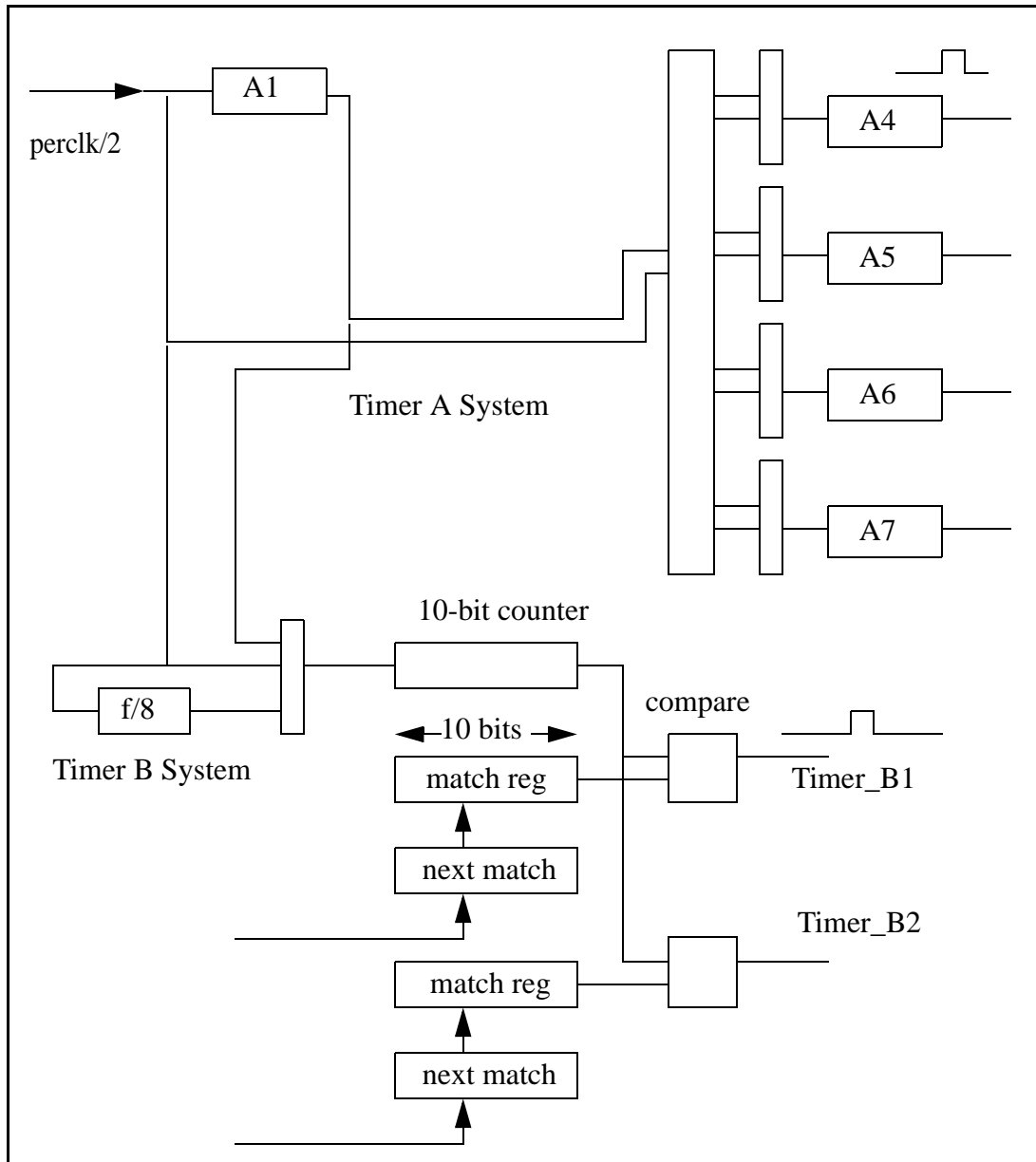


Figure 2-3. Rabbit Timers

2.3 Design Standards

The same functionality can be accomplished in many ways using the Rabbit. By publishing design standards, or standard ways to accomplish common objectives, software and hardware support become easier.

2.3.1 Programming Port

Rabbit Semiconductor publishes a specification for a standard programming port (see Appendix A.1, “The Rabbit Programming Port,”) and provides a converter cable that may be used to connect a PC serial port to the standard programming interface. The interface is implemented using a 10-pin connector with two rows of pins on 2 mm centers. The port is connected to Rabbit serial port A, to the startup mode pins on the Rabbit, to the Rabbit reset pin, and to a programmable output pin that is used to signal the PC that attention is needed. With proper precautions in design and software, it is possible to use serial port A as both a programming port and as a user-defined serial port, although this will not be necessary in most cases.

Rabbit Semiconductor supports the use of the standard programming port and the standard programming cable as a diagnostic and setup port to diagnosis problems or set up systems in the field.

2.3.2 Standard BIOS

Rabbit Semiconductor provides a standard BIOS for the Rabbit. The BIOS is a software program that manages startup and shutdown, and provides basic services for software running on the Rabbit.

2.4 Dynamic C Support for the Rabbit

Dynamic C is Rabbit Semiconductor’s interactive C language development system. Dynamic C runs on a PC under Windows 95/98/Me/XP or Windows NT. It provides a combined compiler, editor and debugger. The usual method for debugging a target system based on the Rabbit is to implement the 10-pin programming connector that connects to the PC serial port via a standard converter cable. Dynamic C libraries contain highly perfected software to control the Rabbit. These includes drivers, utility and math routines and the debugging BIOS for Dynamic C.

In addition, the internationally-known real-time operating system, uC/OS-II, has been ported to the Rabbit and is available starting with Dynamic C Premier v. 6.50.

3. DETAILS ON RABBIT MICROPROCESSOR FEATURES

3.1 Processor Registers

The Rabbit's registers are nearly identical to those of the Z180 or the Z80. The figure below shows the register layout. The XPC and IP registers are new. The EIR register is the same as the Z80 I register, and is used to point to a table of interrupt vectors for the externally generated interrupts. The IIR register occupies the same logical position in the instruction set as the Z80 R register, but its function is to point to an interrupt vector table for internally generated interrupts.

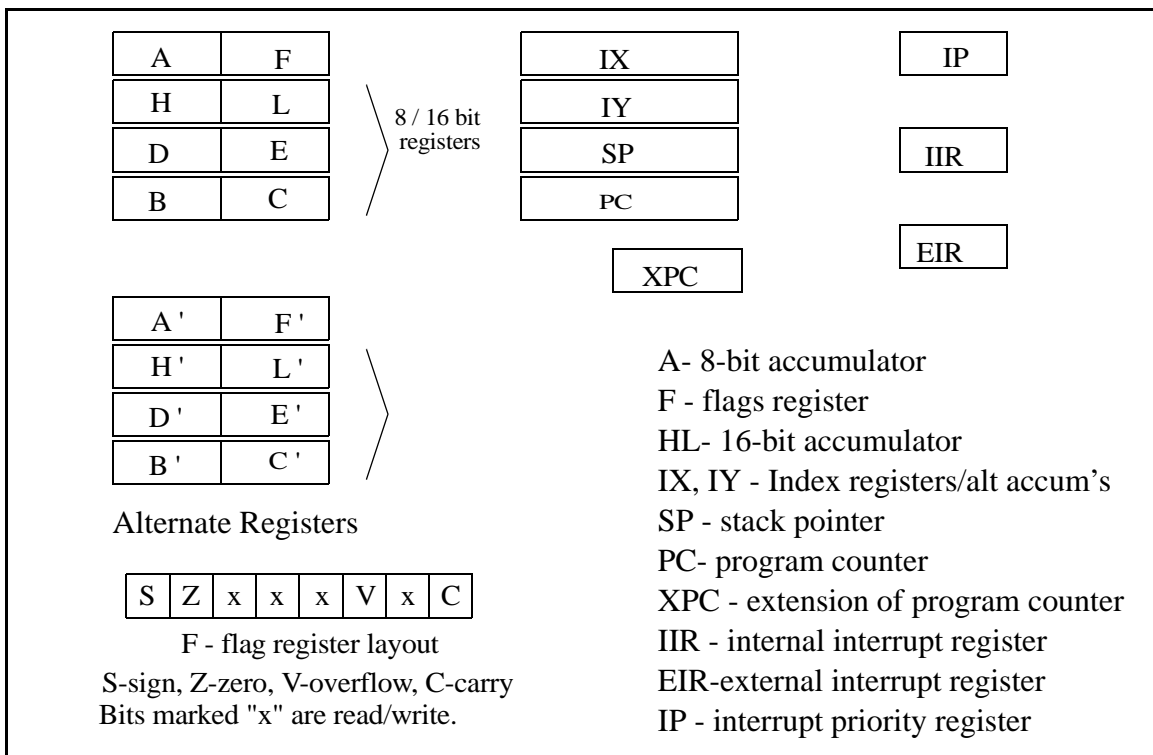


Figure 3-1. Rabbit Registers

The Rabbit (and the Z80/Z180) processor has two accumulators—the A register serves as an 8-bit accumulator for 8-bit operations such as **ADD** or *and*. The 16-bit register HL register serves as an accumulator for 16-bit operations such as **ADD HL, DE**, which adds the 16-bit register DE to the 16-bit accumulator HL. For many operations IX or IY can substitute for **HL** as accumulators.

The register marked F is the flags register or status register. It holds a number of flags that provide information about the last operation performed. The flag register cannot be accessed directly except by using the **POP AF** and **PUSH AF** instructions. Normally the flags are tested by conditional jump instructions. The flags are set to mark the results of arithmetic and logic operations according to rules that are specified for each instruction. There are four unused read/write bits in the flag register that are available to the user via the **PUSH AF** and **POP AF** instructions. These bits should be used with caution since new-generation Rabbit processors could use these bits for new purposes.

The registers IX, IY and HL can also serve as index registers. They point to memory addresses from which data bits are fetched or stored. Although the Rabbit can address a megabyte or more of memory, the index registers can only directly address 64K of memory (except for certain extended addressing LDP instructions). The addressing range is expanded by means of the memory mapping hardware (see “Memory Mapping” on page 15) and by special instructions. For most embedded applications, 64K of *data* memory (as opposed to *code* memory) is sufficient. The Rabbit can efficiently handle a megabyte of code space.

The register SP points to the stack that is used for subroutine and interrupt linkage as well as general-purpose storage.

A feature of the Rabbit (and the Z80/Z180) is the *alternate register set*. Two special instructions swap the alternate registers with the regular registers. The instruction **EX AF, AF'** exchanges the contents of AF with AF'. The instruction **EXX** exchanges HL, DE, and BC with HL', DE', and BC'. Communication between the regular and alternate register set in the original Z80 architecture was difficult because the exchange instructions provided the only means of communication between the regular and alternate register sets. The Rabbit has new instructions that greatly improve communication between the regular and alternate register set. This effectively doubles the number of registers that are easily available for the programmer's use. It is not intended that the alternate register set be used to provide a separate set of registers for an interrupt routine, and Dynamic C does not support this usage because it uses both registers sets freely.

The IP register is the interrupt priority register. It contains four 2-bit fields that hold a history of the processor's interrupt priority. The Rabbit supports four levels of processor priority, something that exists only in a very restricted form in the Z80 or Z180.

3.2 Memory Mapping

Except for a handful of special instructions (see Section 18.5, “16-bit Load and Store 20-bit Address”), the Rabbit instructions directly address a 64K data memory space. This means that the address fields in the instructions are 16 bits long and that the registers that may be used as pointers to memory addresses (index registers (**IX**, **IY**), program counter and stack pointer (**SP**)) are also 16 bits long.

Because Rabbit instructions use 16-bit addresses, the instructions are shorter and can execute much faster than, for example, 32-bit addresses. The executable code is also very compact. Even though these 16-bit addresses are a valuable asset, they do create some complications because a memory-mapping unit is needed in order to access a reasonable amount of memory for modern C programs.

The Rabbit memory-mapping unit is similar to, but more powerful than, the Z180 memory-mapping unit. Figure 3-2 illustrates the relationship among the major components related to addressing memory.

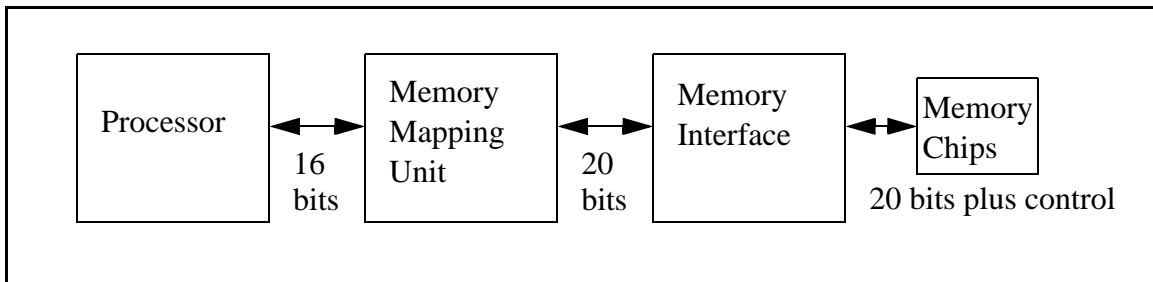


Figure 3-2. Addressing Memory Components

The memory-mapping unit receives 16-bit addresses as input and outputs 20-bit addresses. The processor (except for certain LDP instructions) sees only a 16-bit address space. That is, it sees 65536 distinctly addressable bytes that its instructions can manipulate. Three segment registers are used to map this 16-bit space into a 1-megabyte space. The 16-bit space is divided into four separate zones. Each zone, except the first or root zone, has a segment register that is added to the 16-bit address within the zone to create a 20-bit address. The segment register has eight bits and those eight bits are added to the upper four bits of the 16-bit address, creating a 20-bit address. Thus, each separate zone in the 16-bit memory becomes a window to a segment of memory in the 20-bit address space. The relative size of the four segments in the 16-bit space is controlled by the **SEGSIZE** register. This is an 8-bit register that contains two 4-bit registers. This controls the boundary between the first and the second segment and the boundary between the second and the third segment. The location of the two movable segment boundaries is determined by a 4-bit value that specifies the upper four bits of the address where the boundary is located. These relationships are illustrated in Figure 3-3.

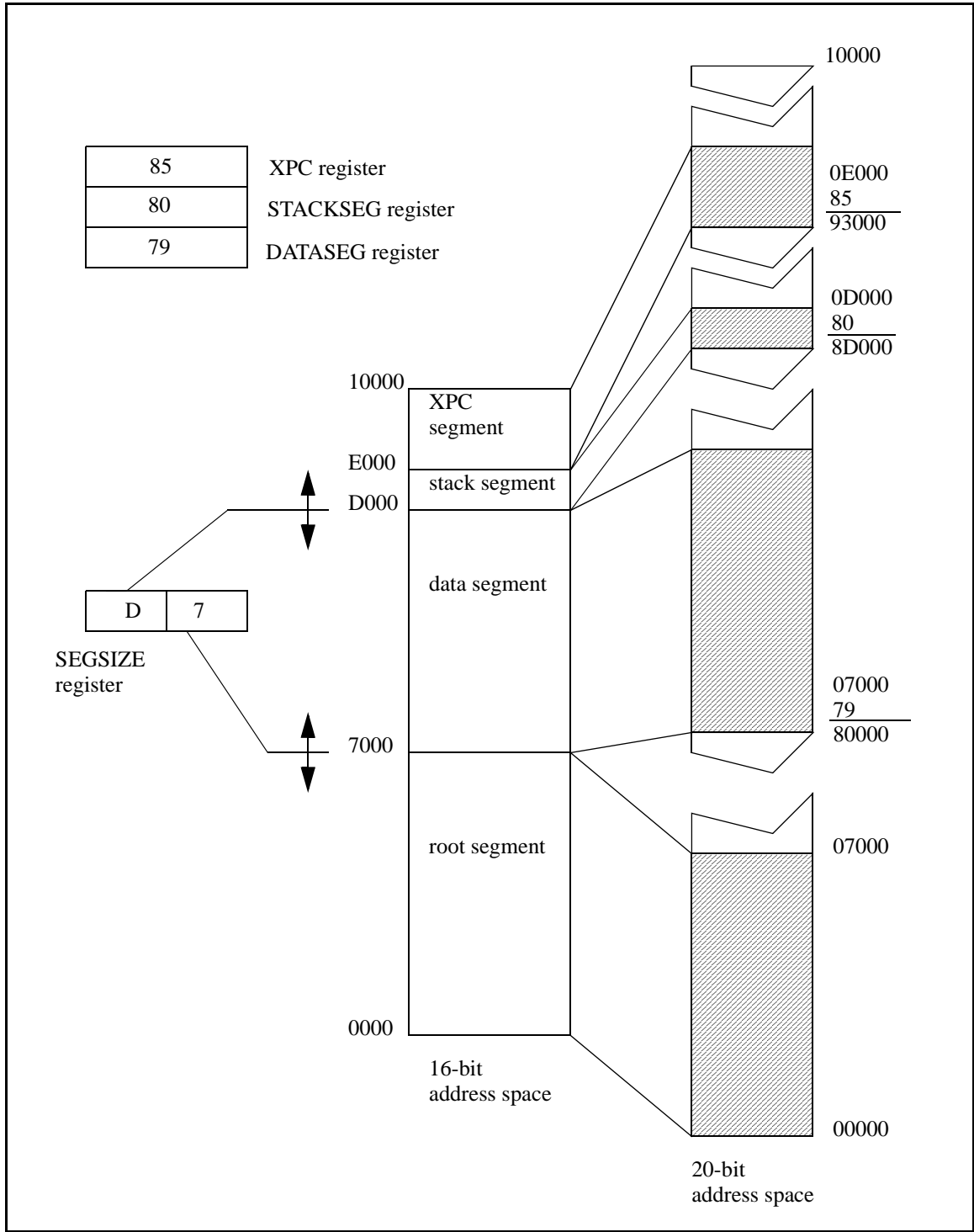


Figure 3-3. Example of Memory Mapping Operation

The names given to the segments in the figure are evocative of the common uses for each segment. The *root segment* is mapped to the base of flash memory and contains the startup code as well as other code that may happen to be stored there. The *data segment* usage varies depending on the overall strategy for setting up memory. It may be an extension of

the root segment or it may contain data variables. The *stack segment* is normally 4K long and it holds the system stack. The *XPC segment* is normally used to execute code that is not stored in the root segment or the data segment. Special instructions support executing code that is visible in the XPC segment.

The memory interface unit receives the 20-bit addresses generated by the memory-mapping unit. The memory interface unit conditionally modifies address lines A16, A18 and A19. The other address lines of the 20-bit address are passed unconditionally. The memory interface unit provides control signals for external memory chips. These interface signals are chip selects ($/CS0$, $/CS1$, $/CS2$), output enables ($/OE0$, $/OE1$), and write enables ($/WE0$, $/WE1$). These signals correspond to the normal control lines found on static memory chips (chip select or $/CS$, output enable or $/OE$, and write enable or $/WE$). In order to generate these memory control signals, the 20-bit address space is divided into four quadrants of 256K each. A *bank control register* for each quadrant determines which of the chip selects and which pair of output enables, and write enables (if any) is enabled when a memory read or write to that quadrant takes place. For example, if a 512K x 8 flash memory is to be accessed in the first 512K of the 20-bit address space, then $/CS0$, $/WE0$, $/OE0$ could be enabled in both quadrants.

Figure 3-4 shows a memory interface unit.

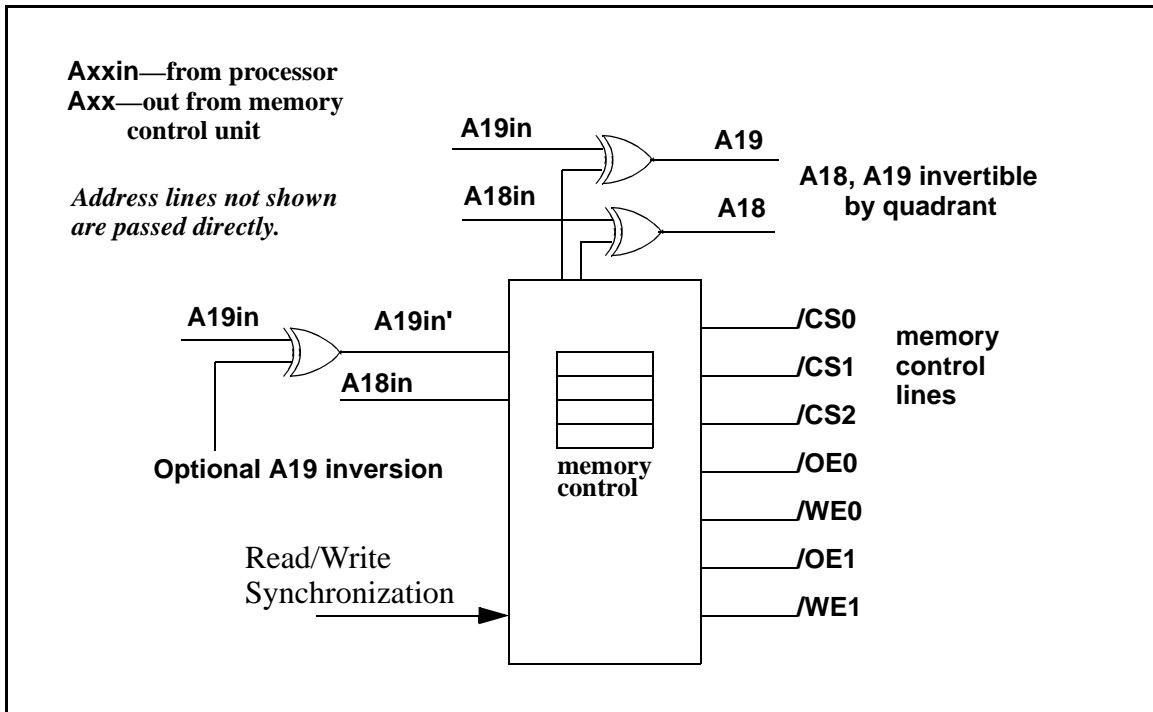


Figure 3-4. Memory Interface Unit

3.2.1 Extended Code Space

A crucial element of the Rabbit memory mapping scheme is the ability to execute programs containing up to a megabyte of code in an efficient manner. This ability is absent in a pure 16-bit address processor, and it is poorly supported by the Z180 through its memory mapping unit. On paged processors, such as the 8086, this capability is provided by paging the code space so that the code is stored in many separate pages. On the 8086 the page size is 64K, so all the code within a given page is accessible using 16-bit addressing for jumps, calls and returns. When paging is used, a separate register (CS on the 8086) is used to determine where the active page currently resides in the total memory space. Special instructions make it possible to jump, call or return from one page to another. These special instructions are called long calls, long jumps and long returns to distinguish them from the same operations that only operate on 16-bit variables.

The Rabbit also uses a paging scheme to expand the code space beyond the reach of a 16-bit address. The Rabbit paging scheme uses the concept of a sliding page, which is 8K long. This is the XPC segment. The 8-bit XPC register serves as a page register to specify the part of memory where the window points. When a program is executed in the XPC segment, normal 16-bit jumps, calls and returns are used for most jumps within the window. Normal 16-bit jumps, calls and returns may also be used to access code in the other three segments in the 16-bit address space. If a transfer of control to code outside the window is required, then a long jump, long call or long return is used. These instructions modify both the program counter (PC) and the XPC register, causing the XPC window to point to a different part of memory where the target of the long jump, call or return is located. The XPC segment is always 8K long. The granularity with which the XPC segment can be positioned in memory is 4K. Because the window can be slid by one-half of its size, it is possible to compile continuously without unused gaps in memory.

As the compiler generates code resident in the XPC window, the window is slid down by 4K when the code goes beyond F000. This is accomplished by a long jump that repositions the window 4K lower. This is illustrated by Figure 3-5. The compiler is not presented with a sharp boundary at the end of the page because the window does not run out of space when code passes F000 unless 4K more of code is added before the window is slid down. All code compiled for the XPC window has a 24-bit address consisting of the 8-bit XPC and the 16-bit address. Short jumps and calls can be used, provided that the source and target instructions both have the same XPC address. Generally this means that each instruction belongs to a window that is approximately 4K long and has a 16-bit address between E000+n and F000+m, where n and m are on the order of a few dozen bytes, but can be up to 4096 bytes in length. Since the window is limited to no more than 8K, the compiler is unable to compile a single expression that requires more than 8K or so of code space. This is not a practical consideration since expressions longer than a few hundred bytes are in the nature of stunts rather than practical programs.

Program code can reside in the root segment or the XPC segment. Program code may also be resident in the data segment. Code can be executed in the stack segment, but this is usually restricted to special situations. Code in the root, meaning any of the segments other

than the XPC segment, can call other code in the root using short jumps and calls. Code in the XPC segment can also call code in the root using short jumps and calls. However, a long call must be used when code in the XPC segment is called. Functions located in the root have an efficiency advantage because a long call and a long return require 32 clocks to execute, but a short call and a short return require only 20 clocks to execute. The difference is small, but significant for short subroutines.

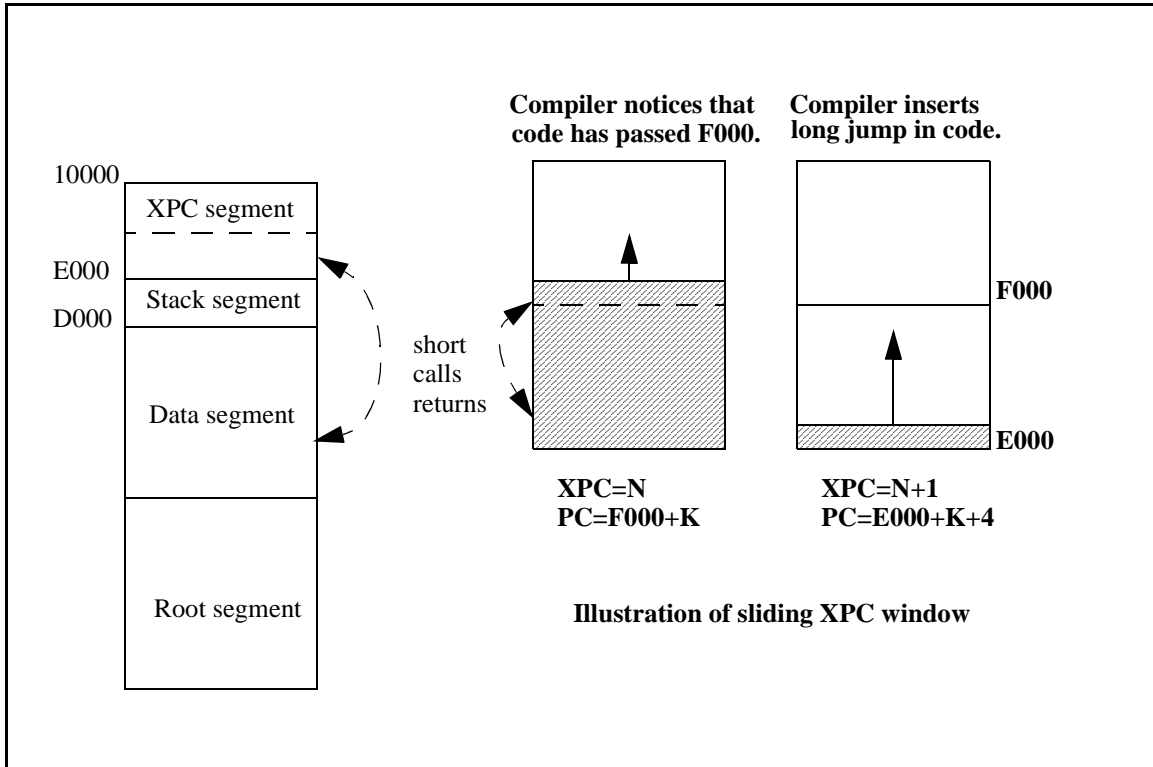


Figure 3-5. Use of XPC Segment

3.2.2 Extending Data Memory

In the normal memory model, the data space must share a 64K space with root code, the stack, and the XPC window. Typically, this leaves a potential data space of 40K or less. The XPC requires 8K, the stack requires 4K, and most systems will require at least 12K of root code. This amount of data space is more than sufficient for most embedded applications.

One approach to getting more data space is to place data in RAM or in flash memory that is not mapped into the 64K space, and then access this data using function calls or in assembly language using the LDP instructions that can access memory using a 20-bit address. This is satisfactory for accessing simple data structures or buffers.

Another approach to extending data memory is to use the stack segment to access data, placing the stack in the data segment so as to free up the stack segment. This approach works well for a software system that uses data groupings that are self-contained and are accessed one at a time rather than randomly between all the groupings. An example would

be the software structures associated with a TCP/IP communication protocol connection where the same code accesses the data structures associated with each connection in a pattern determined by the traffic on each connection.

The advantage of this approach is that normal C data access techniques, such as 16-bit pointers, may be used. The stack segment register has to be modified to bring the data structure into view in the stack segment before operations are performed on a particular data structure. Since the stack has to be moved into the data area, it is important that the number of stacks required be kept to a minimum when using the stack segment to view data. Of course, tasks that don't need to see the data structures can have their stack located in the stack segment. Another possibility is to have a data structure and a stack located together in the stack segment, and to use a different stack segment for different tasks, each task having its own data area and stack bound to it.

These approaches are shown in Figure 3-6 below.

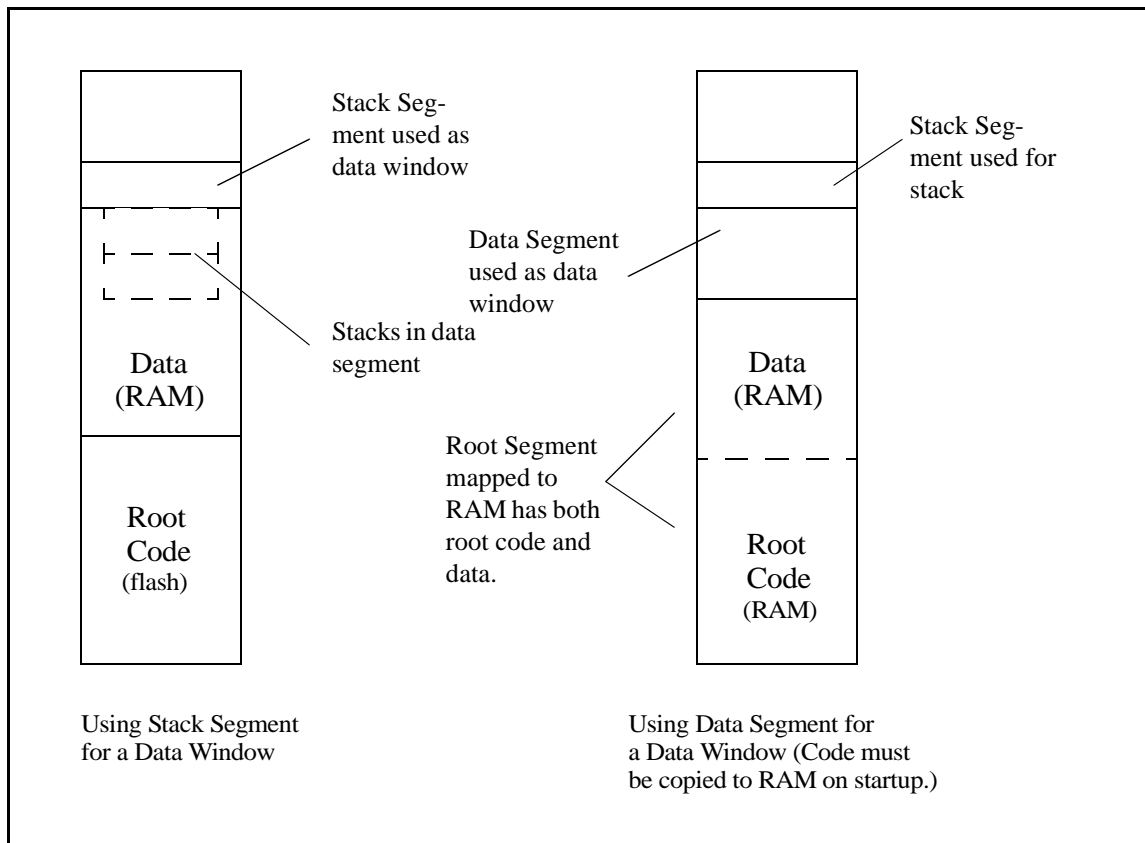


Figure 3-6. Schemes for Data Memory Windows

A third approach is to place the data and root code in RAM in the root segment, freeing the data segment to be a window to extended memory. This requires copying the root code to RAM at startup time. Copying root code to RAM is not necessarily that burdensome since the amount of RAM required can be quite small, say 12K for example.

The XPC segment at the top of the memory can also be used as a data segment by programs that are compiled into root memory. This is handy for small programs that need to access a lot of data.

3.2.3 Practical Memory Considerations

The simplest Rabbit configurations have one flash memory chip interfaced using /CS0 and one RAM memory chip interfaced using /CS1. Typical Rabbit-based systems use 256K of flash and 128 K of RAM, but smaller or larger memories may be used.

Although the Rabbit can support code size approaching a megabyte, it is anticipated that the great majority of applications will use less than 250K of code, equivalent to approximately 10,000–20,000 C statements. This reflects both the compact nature of Rabbit code and the typical size of embedded applications.

Directly accessible C variables are limited to approximately 44K of memory, split between data stored in flash and RAM. This will be more than adequate for many embedded applications. Some applications may require large data arrays or tables that will require additional data memory. For this purpose Dynamic C supports a type of extended data memory that allows the use of additional data memory, even extending far beyond a megabyte.

Requirements for stack memory depend on the type of application and particularly whether preemptive multitasking is used. If preemptive multitasking is used, then each task requires its own stack. Since the stack has its own segment in 16-bit address space, it is easy to use available RAM memory to support a large number of stacks. When a preemptive change of context takes place, the STACKSEG register can be changed to map the stack segment to the portion of RAM memory that contains the stack associated with the new task that is to be run. Normally the stack segment is 4K, which is typically large enough to provide space for several (typically four) stacks. It is possible to enlarge the stack segment if stacks larger than 4K are needed. If only one stack is needed, then it is possible to eliminate the stack segment entirely and place the single stack in the data segment. This option is attractive for systems with only 32K of RAM that don't need multiple stacks.

3.3 Instruction Set Outline

“Load Immediate Data To a Register” on page 23

“Load or Store Data from or to a Constant Address” on page 23

“Load or Store Data Using an Index Register” on page 24

“Register to Register Move” on page 25

“Register Exchanges” on page 25

“Push and Pop Instructions” on page 26

“16-bit Arithmetic and Logical Ops” on page 26

“Input/Output Instructions” on page 29—these include a fix for a bug that manifests itself if an I/O instruction (prefix **IOI** or **IOE**) is followed by one of 12 single-byte op codes that use **HL** as an index register.

In the discussion that follows, we give a few example instructions in each general category and contrast the Z80/Z180 with the Rabbit. For a detailed description of every instruction, see Chapter 18, “Rabbit Instructions,”

The Rabbit executes instructions in fewer clocks than the Z80 or Z180. The Z180 usually requires a minimum of four clocks for 1-byte opcodes or three clocks for each byte for multi-byte op codes. In addition, three clocks are required for each data byte read or written. Many instructions in the Z180 require a substantial number of additional clocks. The Rabbit usually requires two clocks for each byte of the op code and for each data byte read. Three clocks are needed for each data byte written. One additional clock is required if a memory address needs to be computed or an index register is used for addressing. Only a few instructions don't follow this pattern. An example is *mul*, a 16 x 16 bit signed two's complement multiply. *mul* is a 1-byte op code, but requires 12 clocks to execute. Compared to the Z180, not only does the Rabbit require fewer clocks, but in a typical situation it has a higher clock speed and its instructions are more powerful.

The most important instruction set improvements in the Rabbit over the Z180 are in the following areas.

- Fetching and storing data, especially 16-bit words, relative to the stack pointer or the index registers **IX**, **IY**, and **HL**.
- 16-bit arithmetic and logical operations, including 16-bit and's, or's, shifts and 16-bit multiply.
- Communication between the regular and alternate registers and between the index registers and the regular registers is greatly facilitated by new instructions. In the Z180 the alternate register set is difficult to use, while in the Rabbit it is well integrated with the regular register set.
- Long calls, long returns and long jumps facilitate the use of 1M of code space. This removes the need in the Z180 to utilize inefficient memory banking schemes for larger programs that exceed 64K of code.

- Input/output instructions are now accomplished by normal memory access instructions prefixed by an op code byte to indicate access to an I/O space. There are two I/O spaces, internal peripherals and external I/O devices.

Some Z80 and Z180 instructions have been deleted and are not supported by the Rabbit (see Chapter 19, “Differences Rabbit vs. Z80/Z180 Instructions,”). Most of the deleted instructions are obsolete or are little-used instructions that can be emulated by several Rabbit instructions. It was necessary to remove some instructions to free up 1-byte op codes needed to implement new instructions efficiently. The instructions were not re-implemented as 2-byte op codes so as not to waste on-chip resources on unimportant instructions. Except for the instruction `EX (SP),HL`, the original Z180 binary encoding of op codes is retained for all Z180 instructions that are retained.

3.3.1 Load Immediate Data To a Register

A constant that follows the op code in the instruction stream can generally be loaded to any register, except PC, AF, IP and F. (Load to the PC is a jump instruction.) This includes the alternate registers on the Rabbit, but not on the Z180. Some example instructions appear below.

```
LD A,3
LD HL,456
LD BC',3567 ; not possible on Z180
LD H',0x4A ; not possible on Z180
LD IX,1234
LD C,54
```

Byte loads require four clocks, word loads require six clocks. Loads to IX, IY or the alternate registers generally require two extra clocks because the op code has a 1-byte prefix.

3.3.2 Load or Store Data from or to a Constant Address

```
LD A,(mn) ; loads 8 bits from address mn
LD A',(mn) ; not possible on Z180
LD (mn),A
LD HL,(mn) ; load 16 bits from the address specified by mn
LD HL',(mn) ; to alternate register, not possible Z180
LD (mn),HL
```

Similar 16-bit loads and stores exist for DE, BC, SP, IX and IY.

It is possible to load data to the alternate registers, but it is not possible to store the data in the alternate register directly to memory.

```
LD A',(mn) ; allowed
** LD (mn),D' ; **** not a legal instruction!
** LD (mn),DE' ; **** not a legal instruction!
```

3.3.3 Load or Store Data Using an Index Register

An index register is a 16-bit register, usually IX, IY, SP or HL, that is used for the address of a byte or word to be fetched from or stored to memory. Sometimes an 8-bit offset is added to the address either as a signed or unsigned number. The 8-bit offset is a byte in the instruction word. BC and DE can serve as index registers only for the special cases below.

```
LD A, (BC)
LD A', (BC)
LD (BC), A
LD A, (DE)
LD A', (DE)
LD (DE), A
```

Other 8-bit loads and stores are the following.

```
LD r, (HL)      ; r is any of 7 registers A, B, C, D, E, H, L
LD g, (HL)      ; same but alternate register destination
LD (HL), r      ; r is any of the 7 registers above
                 ; or an immediate data byte
** LD (HL), g   ;**** not a legal instruction!
LD r, (IX+d)    ; r is any of 7 registers, d is -128 to +127 offset
LD g, (IX+d)    ; same but alternate destination
LD (IX+d), r    ; r is any of 7 registers or an immediate data byte
LD (IY+d), r    ; IX or IY can have offset d
```

The following are 16-bit indexed loads and stores. None of these instructions exists on the Z180 or Z80. The only source for a store is HL. The only destination for a load is HL or HL'.

```
LD HL, (SP+d)   ; d is an offset from 0 to 255.
                 ; 16-bits are fetched to HL or HL'
LD (SP+d), HL   ; corresponding store
LD HL, (HL+d)   ; d is an offset from -128 to +127,
                 ; uses original HL value for addressing
                 ; l=(HL+d), h=(HL+d+1)

LD HL', (HL+d)
LD (HL+d), HL
LD (IX+d), HL   ; store HL at address pointed to
                 ; by IX plus -128 to +127 offset

LD HL, (IX+d)
LD HL', (IX+d)
LD (IY+d), HL   ; store HL at address pointed to
                 ; by IY plus -128 to +127 offset

LD HL, (IY+d)
LD HL', (IY+d)
```

3.3.4 Register to Register Move

Any of the 8-bit registers, A, B, C, D, E, H, and L, can be moved to any other 8-bit register, for example:

```
LD A,c
LD d,b
LD e,l
```

The alternate 8-bit registers can be a destination, for example:

```
LD a',c
LD d',b
```

These instructions are unique to the Rabbit and require 2 bytes and four clocks because of the required prefix byte. Instructions such as `LD A,d'` or `LD d',e'` are not allowed.

Several 16-bit register-to-register move instructions are available. Except as noted, these instructions all require 2 bytes and four clocks. The instructions are listed below.

```
LD dd',BC    ; where dd' is any of HL', DE', BC' (2 bytes, 4 clocks)
LD dd',DE
LD IX,HL
LD IY,HL
LD HL,IY
LD HL,IX
LD SP,HL    ; 1-byte, 2 clocks
LD SP,IX
LD SP,IY
```

Other 16-bit register moves can be constructed by using 2-byte moves.

3.3.5 Register Exchanges

Exchange instructions are very powerful because two (or more) moves are accomplished with one instruction. The following register exchange instructions are implemented.

```
EX af,af'    ; exchange af with af'
EXX          ; exchange HL, DE, BC with HL', DE', BC'
EX DE,HL     ; exchange DE and HL
```

The following instructions are unique to the Rabbit.

```
EX DE',HL    ; 1 byte, 2 clocks
EX DE, HL'   ; 2 bytes, 4 clocks
EX DE', HL'  ; 2 bytes, 4 clocks
```

The following special instructions (Rabbit and Z180/Z80) exchange the 16-bit word on the top of the stack with the HL, the IX, or the IY register. These three instructions are each 2 bytes and 15 clocks.

```
EX (SP),HL
EX (SP),IX
EX (SP),IY
```

3.3.6 Push and Pop Instructions

There are instructions to push and pop the 16-bit registers AF, HL, DC, BC, IX, and IY. The registers AF', HL', DE', and BC' can be popped. Popping the alternate registers is exclusive to the Rabbit, and is not allowed on the Z80 / Z180.

Examples

```
POP HL
PUSH BC
PUSH IX
PUSH af
POP DE
POP DE'
POP HL'
```

3.3.7 16-bit Arithmetic and Logical Ops

The HL register is the primary 16-bit accumulator. IX and IY can serve as alternate accumulators for many 16-bit operations. The Z180/Z80 has a weak set of 16-bit operations, and as a practical matter the programmer has to resort to combinations of 8-bit operations in order to perform many 16-bit operations. The Rabbit has many new op codes for 16-bit operations, removing some of this weakness.

The basic Z80/Z180 16-bit arithmetic instructions are

```
ADD HL,ww ; where ww is HL, DE, BC, SP
ADC HL,ww ; ADD and ADD carry
SBC HL,ww ; sub and sub carry
INC ww ; increment the register (without affecting flags)
```

In the above op codes, IX or IY can be substituted for HL. The **ADD** and **ADC** instructions can be used to left-shift HL with the carry. An alternate destination prefix (**ALTD**) may be used on the above instructions. This causes the result and its flags to be stored in the corresponding alternate register. If the **ALTD** flag is used when IX or IY is the destination register, then only the flags are stored in the alternate flag register.

The following new instructions have been added for the Rabbit.

```
;Shifts
RR HL ; rotate HL right with carry, 1 byte, 2 clocks
; note use ADC HL,HL for left rotate, or add HL,HL if
; no carry in is needed.
RR DE ; 1 byte, 2 clocks
RL DE ; rotate DE left with carry, 1-byte, 2 clocks
RR IX ; rotate IX right with carry, 2 bytes, 4 clocks
RR IY ; rotate IY right with carry

;Logical Operations
AND HL,DE ; 1 byte, 2 clocks
AND IX,DE ; 2 bytes, 4 clocks
AND IY,DE
OR HL,DE ; 1 byte, 2 clocks
OR IX,DE ; 2 bytes, 4 clocks
OR IY,DE
```


The **BOOL** instruction is a special instruction designed to help test the HL register. **BOOL** sets HL to the value 1 if HL is non zero, otherwise, if HL is zero its value is not changed. The flags are set according to the result. **BOOL** can also operate on IX and IY.

```

    BOOL HL          ; set HL to 1 if non- zero, set flags to match HL
    BOOL IX
    BOOL IY
    ALTD BOOL HL    ; set HL' an f' according to HL
    ALTD BOOL IY    ; modify IY and set f' with flags of result

```

The **SBC** instruction can be used in conjunction with the **BOOL** instruction for performing comparisons. The **SBC** instruction subtracts one register from another and also subtracts the carry bit. The carry out is inverted compared to the carry that would be expected if the number subtracted was negated and added. The following examples illustrate the use of the **SBC** and **BOOL** instructions.

```

                                ; Test if HL>=DE - HL and DE unsigned numbers 0-65535
OR a                            ; clear carry
SBC HL,DE                       ; if C==0 then HL>=DE else if C==1 then HL<DE

                                ; convert the carry bit into a boolean variable in HL
                                ;
SBC HL,HL                       ; sets HL==0 if C==0, sets HL==0xffff if C==1
BOOL HL                          ; HL==1 if C was set, otherwise HL==0
                                ;
                                ; convert not carry bit into boolean variable in HL
SBC HL,HL                       ; HL==0 if C==0 else HL==ffff if C=1
INC HL                           ; HL==1 if C==0 else HL==0 if C==1
                                ; note carry flag set, but zero / sign flags reversed

```

In order to compare signed numbers using the **SBC** instruction, the programmer can map the numbers into an equivalent set of unsigned numbers by inverting the sign bit of each number before performing the comparison. This maps the most negative number 0x08000 to the smallest unsigned number 0x0000, and the most positive signed number 0x07FFF to the largest unsigned number 0x0FFFF. Once the numbers have been converted, the comparison can be done as for unsigned numbers. This procedure is faster than using a jump tree that requires testing the sign and overflow bits.

```

                                ; example - test for HL>=DE where HL and DE are signed numbers
                                ; invert sign bits on both
ADD HL,HL                       ; shift left
CCF                             ; invert carry
RR HL                           ; rotate right
RL DE
CCF
RR DE                           ; invert DE sign
SBC HL,DE                       ; no carry if HL>=DE
                                ; generate boolean variable true if HL>=DE
SBC HL,HL                       ; zero if no carry else -1
INC HL                           ; 1 if no carry, else zero
BOOL                             ; use this instruction to set flags if needed

```

The **SBC** instruction can also be used to perform a sign extension.

```
                ; extend sign of l to HL
LD A,l
rla            ; sign to carry
SBC A,a       ; a is all 1's if sign negative
LD h,a        ; sign extended
```

The multiply instruction performs a signed multiply that generates a 32-bit signed result.

```
MUL           ; signed multiply of BC and DE,
              ; result in HL:BC - 1 byte, 12 clocks
```

If a 16-bit by 16-bit multiply with a 16-bit result is performed, then only the low part of the 32-bit result (**BC**) is used. This (counter intuitively) is the correct answer whether the terms are signed or unsigned integers. The following method can be used to perform a 16 x 16 bit multiply of two unsigned integers and get an unsigned 32-bit result. This uses the fact that if a negative number is multiplied the sign causes the other multiplier to be subtracted from the product. The method shown below adds double the number subtracted so that the effect is reversed and the sign bit is treated as a positive bit that causes an addition.

```
LD BC,n1
LD HL',BC ; save BC in HL'
LD DE,n2
LD A,b    ; save sign of BC
MUL       ; form product in HL:BC
OR a      ; test sign of BC multiplier
JR p,x1   ; if plus continue
ADD HL,DE ; adjust for negative sign in BC
x1:
RL DE     ; test sign of DE
JR nc,x2  ; if not negative
          ; subtract other multiplier from HL
EX DE,HL'
ADD HL,DE
x2:
          ; final unsigned 32 bit result in HL:BC
```

This method can be modified to multiply a signed number by an unsigned number. In that case only the unsigned number has to be tested to see if the sign is on, and in that case the signed number is added to the upper part of the product.

The multiply instruction can also be used to perform left or right shifts. A left shift of n positions can be accomplished by multiplying by the unsigned number 2^n . This works for $n \neq 15$, and it doesn't matter if the numbers are signed or unsigned. In order to do a right shift by n ($0 < n < 16$), the number should be multiplied by the unsigned number $2^{(16-n)}$, and the upper part of the product taken. If the number is signed, then a signed by unsigned multiply must be performed. If the number is unsigned or is to be treated as unsigned for a logical right shift, then an unsigned by unsigned multiply must be performed. The problem can be simplified by excluding the case where the multiplier is 2^{15} .

3.3.8 Input/Output Instructions

The Rabbit uses an entirely different scheme for accessing input/output devices. Any memory access instruction may be prefixed by one of two prefixes, one for internal I/O space and one for external I/O space. When so prefixed, the memory instruction is turned into an I/O instruction that accesses that I/O space at the I/O address specified by the 16-bit memory address used. For example

```
IOI LD A, (0x85)    ; loads A register with contents
                   ; of internal I/O register at location 0x85.

LD IY, 0x4000
IOE LD HL, (IY+5)   ; get word from external I/O location 0x4005
```

By using the prefix approach, all the 16-bit memory access instructions are available for reading and writing I/O locations. The memory mapping is bypassed when I/O operations are executed.

I/O writes to the internal I/O registers require only two clocks, rather than the minimum of three clocks required for writes to memory or external I/O devices.

In certain conditions where an I/O operation is followed by a special one-byte instruction, a bug in the original Rabbit 2000 chip causes an I/O access to take place instead of a memory access operation. The problem was corrected in revisions A–C of the Rabbit 2000. (Refer to Appendix B for further information to determine which version of the Rabbit 2000 chip you are using.)

The bug is manifested if an I/O instruction (prefix **IOI** or **IOE**) is followed by one of 12 single-byte op codes that use HL as an index register. The 12 instructions are:

ADC A, (HL)	SUB (HL)
ADD A, (HL)	XOR (HL)
AND (HL)	DEC (HL)
CP (HL)	INC (HL)
OR (HL)	LD r, (HL)
SBC A, (HL)	LD (HL), r

where **r**, an 8-byte register, is one of **A, B, C, D, E, H, or L**.

The only combination that is very likely to occur in user written assembly language programs is an I/O instruction followed by **LD (HL), r**.

The nature of the failure is that the memory address translation does not take place and so the appropriate memory chip select will not be enabled for the second instruction. In the case of external I/O operations where the I/O strobes on Port E may be enabled, an I/O “chip select” (I/O strobe) will take place instead of a memory chip select. If one of the above instructions follows an internal I/O operation and the memory access takes place in the base region where address translation does not take place, the memory operation will take place properly because the appropriate memory chip select is enabled for internal I/O operations.

The bug may be easily avoided by placing a **NOP** between the I/O instruction and a following instruction from the above list.

Rabbit users are unlikely to encounter this problem because the sequence of instructions that exhibit the bug is never generated by the Dynamic C compiler or in any of the standard libraries.

Beginning with the 6.57 release, the Dynamic C compiler and assembler will correct for this anomaly by inserting **NOPs** where necessary in generated code.

3.4 How to Do It in Assembly Language—Tips and Tricks

3.4.1 Zero HL in 4 Clocks

```
    BOOL HL    ; 2 clocks, clears carry, HL is 1 or 0
    RR HL      ; 2 clocks, 4 total - get rid of possible 1
```

This sequence requires four clocks compared to six clocks for `LD HL,0`.

3.4.2 Exchanges Not Directly Implemented

`HL<->HL'` - eight clocks

```
    EX DE',HL    ; 2 clocks
    EX DE',HL'   ; 4 clocks
    EX DE',HL    ; 2 clocks, 8 total
```

`DE<->DE'` - six clocks

```
    EX DE',HL    ; 2 clocks
    EX DE,HL     ; 2 clocks
    EX DE',HL    ; 2 clocks, 6 total
```

`BC<->BC'` - 12 clocks

```
    EX DE',HL    ; 2 clocks
    EX DE,HL'    ; 4
    EX DE,HL     ; 2
    EXX          ; 2
    EX DE,HL     ; 2
```

Move between `IX, IY` and `DE, DE'`

`IX/IY->DE / DE->IX/IY`

```
    ;IX, IX --> DE
    EX DE,HL
    LD HL,IX/IY / LD IX/IY,HL
    EX DE,HL      ; 8 clocks total

                    ; DE --> IX/ IY
    EX DE,HL
    LD IX/IY,HL
    EX DE,HL      ; 8 clocks total
```

3.4.3 Manipulation of Boolean Variables

Logical operations involving `HL` when `HL` is a logical variable with a value of 1 or 0—this is important for the C language where the least bit of a 16-bit integer is used to represent a logical result

Logical **not** operator—invert bit 0 of `HL` in four clocks (also works for `IX, IY` in eight clocks)

```
    DEC HL      ; 1 goes to zero, zero goes to -1
    BOOL HL     ; -1 to 1, zero to zero. 4 clocks total
```

Logical **xor** operator—`xor HL,DE` when `HL/DE` are 1 or 0.

```
    ADD HL,DE
    RES 1,1     ; 6 clocks total, clear bit 1 result of if 1+1=2
```

3.4.4 Comparisons of Integers

Unsigned integers may be compared by testing the zero and carry flags after a subtract operation. The zero flag is set if the numbers are equal. With the SBC instruction the carry cleared is set if the number subtracted is less than or equal to the number it is subtracted from. 8-bit unsigned integers span the range 0–255. 16-bit unsigned integers span the range 0–65535.

```
OR a          ; clear carry
SBC HL,DE     ; HL=A and DE=B

A>=B    !C
A<B     C
A==B    Z
A>B     !C & !Z
A<=B    C v Z
```

If A is in HL and B is in DE these operations can be performed as follows assuming that the object is to set HL to 1 or 0 depending on whether the compare is true or false.

```
; compute HL<DE
; unsigned integers
; EX DE,HL ; uncomment for DE<HL
OR a          ; clear carry
SBC HL,DE     ; C set if HL<DE
SBC HL,HL     ; HL-HL-C -- -1 if carry set
BOOL HL      ; set to 1 if carry, else zero
              ; else result == 0
;unsigned integers
; compute HL>=DE or DE>=HL - check for !C
; EX DE,HL ; uncomment for DE<=HL
OR a          ; clear carry
SBC HL,DE     ; !C if HL>=DE
SBC HL,HL     ; HL-HL-C - zero if no carry, -1 if C
INC HL       ; 14 / 16 clocks total -if C after first SBC result 1,
              ; else 0
; 0 if C , 1 if !C
;
: compute HL==DE
OR a          ; clear carry
SBC HL,DE     ; zero is equal
BOOL HL      ; force to zero, 1
DEC HL       ; invert logic
BOOL HL      ; 12 clocks total -logical not, 1 for inputs equal
;
```

Some simplifications are possible if one of the unsigned numbers being compared is a constant. Note that the carry has a reverse sense from **SBC**. In the following examples, the pseudo-code in the form **LD DE, (65535-B)** does not indicate a load of **DE** with the address pointed to by **65535-B**, but simply indicates the difference between 65535 and the 16-bit unsigned integer **B**.

```

;test for HL>B B is constant
LD DE,(65535-B)
ADD HL,DE ; carry set if HL>B
SBC HL,HL ; HL-HL-C - result -1 if carry set, else zero
BOOL HL ; 14 total clocks - true if HL>B

; HL>=B B is constant not zero
LD DE,(65536-B)
ADD HL,DE
SBC HL,HL
BOOL HL ; 14 clocks

; HL>=B and B is zero
LD HL,1 ; 6 clocks

; HL<B B is a constant, not zero (if B==0 always false)
LD DE,(65536-B)
ADD HL,DE ; not carry if HL<B
SBC HL,HL ; -1 if carry, else 0
INC HL ; 14 clocks --0 if carry, else 1 if no carry
;
; HL <= B B is constant not zero
LD DE,(65535-B)
ADD HL,DE ; ~C if HL<=B
CCF ; C if true
SBC HL,HL ; if C -1 else 0
INC HL ; 16 clocks -- 1 if true, else 0
;
; HL <= B B is zero - true if HL==0
BOOL HL ; result in HL
;
; HL==B and B is a constant not zero
LD DE,(65536-B)
ADD HL,DE ; zero if equal
BOOL HL
INC HL
RES 1,1 ; 16 clocks

; HL==B and B==0
BOOL HL
INC HL
RES 1,1 ; 8 clocks

```

For signed integers the conventional method to look at the zero flag, the minus flag and the overflow flag. Signed 8-bit integers span the range -128 to +127 (0x80 to 0x7F). Signed 16-bit integers span the range -32768 to + 32767 (0x8000 to 0x7FFF). The sign and zero flag tell which is the larger number after the subtraction unless the overflow is set, in which case the sign flag needs to be inverted in the logic, that is, it is wrong.

```

A>B    (!S & !V & !Z) v (S & V)
A<B    (S & !V) v (!S & V & !Z)
A==B
A>=B
A<=B

```

Another method of doing signed compare is to first map the signed integers onto unsigned integers by inverting bit 15. This is shown in Figure 3-7 on page 34. Once the mapping has been performed by inverting bit 15 on both numbers, the comparisons can be done as if the numbers were unsigned integers. This avoids having to construct a jump tree to test the overflow and sign flags. An example is shown below.

```

; test HL>5 for signed integers
LD DE,65535-(5+0x08000) ; 5 mapped to unsigned integers
LD BC,0x08000
ADD HL,BC ; invert high bit
ADD HL,DE ; 16 clocks to here
; carry now set if HL>5 - opportunity to jump on carry
SUBC HL,HL ; HL-HL-C ; if C on result is -1, else zero
BOOL HL ; 22 clocks total - true if HL>5 else false

```

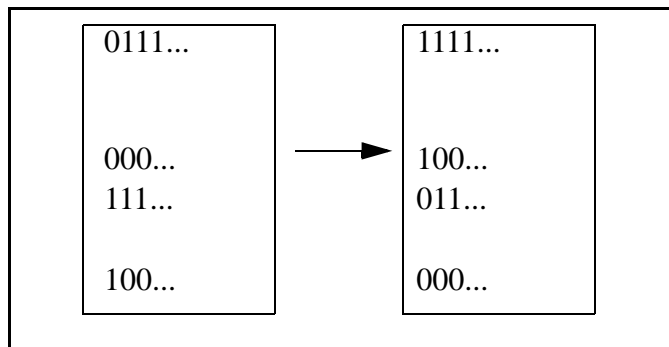


Figure 3-7. Mapping Signed Integers to Unsigned Integers by Inverting Bit 15

3.4.5 Atomic Moves from Memory to I/O Space

To avoid disabling interrupts while copying a shadow register to its target register, it is desirable to have an atomic move from memory to I/O space. This can be done using LDD or LDI instructions.

```

LD HL,sh_PDDDR ; point to shadow register
LD DE,PDDDR ; set DE to point to I/O reg
SET 5,(HL) ; set bit 5 of shadow register
; use ldd instruction for atomic transfer
IOI ldd ; (io DE)<-(HL) HL--, DE--

```

When the LDD instruction is prefixed with an I/O prefix, the destination becomes the I/O address specified by DE. The decrementing of HL and DE is a side effect. If the repeating instructions LDIR and LDDR are used, interrupts can take place between successive iterations. Word stores to I/O space can be used to set two I/O registers at adjacent addresses with a single noninterruptable instruction.

3.5 Interrupt Structure

When an interrupt occurs on the Rabbit, the return address is pushed on the stack, and control is transferred to the address of the interrupt service routine. The address of the interrupt service routine has two parts: the upper byte of the address comes from a special register and the lower byte is fixed by hardware for each interrupt, as shown in Table 7-11. There are separate registers for internal interrupts (IIR) and external interrupts (EIR) to specify the high byte of the interrupt service routine address. These registers are accessed by special instructions.

```
LD A,IIR
LD IIR,A
LD A,EIR
LD EIR,A
```

Interrupts are initiated by hardware devices or by certain 1-byte instructions called reset instructions.

```
RST 10
RST 18
RST 20
RST 28
RST 38
```

The **RST** instructions are similar to those on the Z80 and Z180, but certain ones have been removed from the instruction set (00, 08, 30). The **RST** interrupts are not inhibited regardless of the processor priority. The user is advised to exercise caution when using these instructions as they are mostly reserved for the use of Dynamic C for debugging. Unlike the Z80 or Z180, the IIR register contributes the upper byte of the service routine address for RST interrupts.

Since interrupt routines do not affect the XPC, interrupt routines must be located in the root code space. However, they can jump to the extended code space after saving the XPC on the stack.

3.5.1 Interrupt Priority

The Z80 and Z180 have two levels of interrupt priority: maskable and nonmaskable. The nonmaskable interrupt cannot be disabled and has a fixed interrupt service routine address of 0x66. The Rabbit, in contrast, has three levels of interrupt priority and four priority levels at which the processor can operate. If an interrupt is requested, and the priority of the interrupt is higher than that of the processor, the interrupt will take place after the execution of the current instruction is complete (except for privileged instructions).

Multiple interrupt priorities have been established to make it feasible for the embedded systems programmer to have extremely fast interrupts available. *Interrupt latency* refers to the time required for an interrupt to take place after it has been requested. Generally, interrupts of the same priority are disabled when an interrupt service routine is entered. Sometimes interrupts must stay disabled until the interrupt service routine is completed, other times the interrupts can be re-enabled once the interrupt service routine has at least disabled its own cause of interrupt. In any case, if several interrupt routines are operating at

the same priority, this introduces interrupt latency while the next routine is waiting for the previous routine to allow more interrupts to take place. If a number of devices have interrupt service routines, and all interrupts are of the same priority, then pending interrupts can not take place until at least the interrupt service routine in progress is finished, or at least until it changes the interrupt priority. As a rule of thumb, Rabbit Semiconductor usually suggests that 100 μ s be allowed for interrupt latency on Z180-based controllers. This can result if, for example, there are five active interrupt routines, and each turns off the interrupts for at most 20 μ s.

The intention in the Rabbit is that most interrupting devices will use priority 1 level interrupts. Devices that need extremely fast response to interrupts will use priority level 2 or 3 interrupts. Since code that runs at priority level 0 or 1 never disables level 2 and level 3 interrupts, these interrupts will take place within about 20 clocks, the length of the longest instruction or longest sensible sequence of privileged instructions followed by an unprivileged instruction. It is important that the user be careful not to overdisable interrupts in critical code sections. *The processor priority should not be raised above level 1 except in carefully considered situations.*

The effect of the processor priority on interrupts is shown in Table 3-1. The priority of the interrupt is usually established by bits in an I/O control register associated with the hardware that creates the interrupt. The 8-bit interrupt register (IP) holds the processor priority in the least significant 2 bits. When an interrupt takes place, the IP register is shifted left 2 positions and the lower 2 bits are set to equal the priority of the interrupt that just took place. This means that an interrupt service request (ISR) can only be interrupted by an interrupt of higher priority (unless the priority is explicitly set lower by the programmer). The IP register serves as a 4-word stack of 2-bit words to save and restore interrupt priorities. It can be shifted right, restoring the previous priority by a special instruction (**IPRES**). Since only the current processor priority and 3 previous priorities can be saved in the interrupt register, instructions are also provided to **PUSH** and **POP IP** using the regular stack. A new priority can be “pushed” into the IP register with special instructions (**IPSET 0**, **IPSET 1**, **IPSET 2**, **IPSET 3**).

Table 3-1. Effect of Processor Priorities on Interrupts

Processor Priority	Effect on Interrupts
0	All interrupts, priority 1,2 and 3 take place after execution of current non privileged instruction.
1	Only interrupts of priority 2 and 3 take place.
2	Only interrupts of priority 3 take place.
3	All interrupt are suppressed (except RST instruction).

3.5.2 Multiple External Interrupting Devices

The Rabbit has two distinct external interrupt request lines. If there are more than two external causes of interrupts, then these lines must be shared between multiple devices. The interrupt line is edge sensitive, meaning that it requests an interrupt only when a rising or falling edge, whichever is specified in the setup registers, takes place. The state of the interrupt line(s) can always be read by reading parallel port E since they share pins with parallel port E.

If several lines are to share interrupts with the same port, the individual interrupt requests would normally be or'ed together so that any device can cause an interrupt. If several devices are requesting an interrupt at the same time, only one interrupt results because there will be only one transition of the interrupt request line. To resolve the situation and make sure that the separate interrupt routines for the different devices are called, a good method is to have a interrupt dispatcher in software that is aided by providing separate attention request lines for each device. The attention request lines are basically the interrupt request lines for the separate devices before they are or'ed together. The interrupt dispatcher calls the interrupt routines for all devices requesting interrupts in priority order so that all interrupts are serviced.

3.5.3 Privileged Instructions, Critical Sections and Semaphores

Normally an interrupt happens at the end of the instruction currently executing. However, if the instruction executing is *privileged*, the interrupt cannot take place at the end of the instruction and is deferred until a non privileged instruction is executed, usually the next instruction. Privileged instructions are provided as a handy way of making a certain operation *atomic* because there would be a software problem if an interrupt took place after the instruction. Turning off the interrupts explicitly may be too time consuming or not possible because the purpose of the privileged instruction is to manipulate the interrupt controls. For additional information on privileged instructions, see Section 18.19, "Privileged Instructions"

The privileged instructions to load the stack are listed below.

```
LD SP,HL
LD SP,IY
LD SP,IX
```

The following instructions to load SP are privileged because they are frequently followed by an instruction to change the stack segment register. If an interrupt occurs between these two instructions and the following instruction, the stack will be ill-defined.

```
LD SP,HL
IOI LD sseg,a
```

The privileged instructions to manipulate the IP register are listed below.

```
IPSET 0    ; shift IP left and set priority 00 in bits 1,0
IPSET 1
IPSET 2
IPSET 3
IPRES      ; rotate IP right 2 bits, restoring previous priority
RETI       ; pops IP from stack and then pops return address
POP IP     ; pop IP register from stack
```

3.5.4 Critical Sections

Certain library routines may need to disable interrupts during a critical section of code. Generally these routines are only legal to call if the processor priority is either 0 or 1. A priority higher than this implies custom hand-coded assembly routines that do not call general-purpose libraries. The following code can be used to disable priority 1 interrupts.

```
IPSET 1 ; save previous priority and set priority to 1
....critical section...
IPRES   ; restore previous priority
```

This code is safe if it is known that the code in the critical section does not have an embedded critical section. If this code is nested, there is the danger of overflowing the IP register. A different version that can be nested is the following.

```
PUSH IP
IPSET 1 ; save previous priority and set priority to 1
....critical section...
POP IP  ; restore previous priority
```

The following instructions are also privileged.

```
LD A,xpc
LD xpc,a
BIT B,(HL)
```

3.5.5 Semaphores Using Bit B,(HL)

The `bit B, (HL)` instruction is privileged to allow the construction of a semaphore by the following code.

```
BIT B,(HL) ; test a bit in the byte at (HL)
SET B,(HL) ; make sure bit set, does not affect flag
; if zero flag set the semaphore belongs to us;
; otherwise someone else has it
```

A semaphore is used to gain control of a resource that can only belong to one task or program at a time. This is done by testing a bit to see if it is on, in which case someone else is using the resource, otherwise setting the bit to indicate ownership of the resource. No interrupt can be allowed between the test of the bit and the setting of the bit as this might allow two different program to both think they own the resource.

3.5.6 Computed Long Calls and Jumps

The instruction to set the XPC is privileged to so that a computed long call or jump can be made. This would be done by the following sequence.

```
LD xpc, a
JP (HL)
```

In this case, A has the new XPC, and HL has the new PC. This code should normally be executed in the root segment so as not to pull the memory out from under the JP (HL) instruction.

A call to a computed address can be performed by the following code.

```
; A=xpc, IY=address
;
LD A,newxpc
LD IY,newaddress
LCALL DOCALL ; call utility routine in the root
;
; The DOCALL routine
DOCALL:
LD xpc, a ; SET xpc
JP (IY) ; go to the routine
```


4. RABBIT CAPABILITIES

This section describes the various capabilities of the Rabbit that may not be obvious from the technical description.

4.1 Precisely Timed Output Pulses

The Rabbit can output precise pulses under software control. The effect of interrupt latency is avoided because the interrupt always prepares a future pulse edge that is clocked into the output registers on the next clock. This is shown in Figure 4-1.

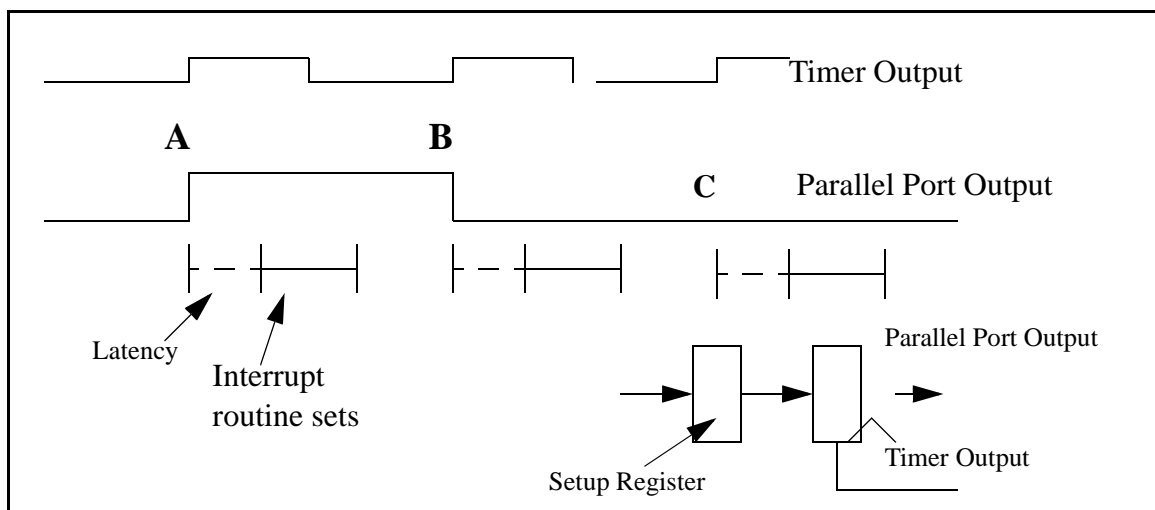


Figure 4-1. Timed Output Pulses

The timer output in Figure 4-1 is periodic. As long as the interrupt routine can be completed during one timer period, an arbitrary pattern of synchronous pulses can be output from the parallel port.

The interrupt latency depends on the priority of the interrupt and the amount of time that other interrupt routines of the same or higher priority inhibit interrupts. The first instruction of the interrupt routine will start executing within 30 clocks of the interrupt request for the highest priority interrupt routine. This includes 19 clocks for the longest instruction to complete execution and 10 clocks for the interrupt to execute. Pushing registers requires 10–12 clocks per 16-bit register. Popping registers requires 7–9 clocks. Return from interrupt requires 7 clocks. If three registers are saved and restored, and 20 instructions averaging 5 clocks are executed, an entire interrupt routine will require about 200 clocks, or 10 μ s with a 20 MHz clock. Given this timing, the following capabilities become possible.

Pulse width modulated output—The minimum pulse width is 10 μ s. If the repetition rate is 10 ms, then a new pulse with 1000 different widths can be generated at the rate of 100 times per second.

Asynchronous communications serial output—Asynchronous output data can be generated with a new pulse every 10 μ s. This corresponds to a baud rate of 100,000 bps.

Asynchronous communications serial input—To capture asynchronous serial input, the input must be polled faster than the baud rate, a minimum of three times faster, with five times being better. If five times polling is used, then asynchronous input at 20,000 bps could be received.

Generating pulses with precise timing relationships—The relationship between two events can be controlled to within 10 μ s to 20 μ s.

Using a timer to generate a periodic clock allows events to be controlled to a precision of approximately 10 μ s. However, if Timer B is used to control the output registers, a precision approximately 100 times better can be achieved. This is because Timer B has a match register that can be programmed to generate a pulse at a specified future time. The match register has two cascaded registers, the match register and the next match register. The match register is loaded with the contents of the next match register when a pulse is generated. This allows events to be very close together, one count of Timer B. Timer B can be clocked by $\text{sysclk}/2$ divided by a number in the range of 1–256. Timer B can count as fast as 10 MHz with a 20 MHz system clock, allowing events to be separated by as little as 100 ns. Timer B and the match registers have 10 bits.

Using Timer B, output pulses can be positioned to an accuracy of $\text{clk}/2$. Timer B can also be used to capture the time at which an external event takes place in conjunction with the external interrupt line. The interrupt line can be programmed to interrupt on either rising, falling or both edges. To capture the time of the edge, the interrupt routine can read the Timer B counter. The execution time of the interrupt routine up to the point where the timer is read can be subtracted from the timer value. If no other interrupt is of the same or higher priority, then the uncertainty in the position of the edge is reduced to the variable time of the interrupt latency, or about one-half the execution time of the longest instruction. This uncertainty is approximately 10 clocks, or 0.5 μ s for a 20 MHz clock. This enables pulse width measurements for pulses of any length, with a precision of about 1 μ s. If multiple pulses need to be measured simultaneously, then the precision will be reduced, but this reduction can be minimized by careful programming.

4.1.1 Pulse Width Modulation to Reduce Relay Power

Typically relays need far less current to hold them closed than is needed to initially close them. For example, if the driver is switched to a 75% duty cycle using pulse width modulation after the initial period when the relay armature is picked, the holding current will be approximately 75% of the full duty-cycle current and the power consumption will be about 56% as great.

The pulse width modulation rate may be from 5 kHz to 20 kHz. If a periodic interrupt is established that interrupts every 50 μ s, then a 50% duty cycle could be set up for a 100 μ s period. A 25%, 50% or 75% duty cycle could operate on a 200 μ s period. A 250 μ s period would allow duty cycles of 20%, 40%, 60% or 80%. The code for such an interrupt routine might appear as follows.

```
    push af          ; 10
    push hl
    push de
    ld hl,(ptr)     ; 11 get pointer to location in array
    ld a,(maskand) ; 9 get mask
    and a,(hl)     ; 5 get current output
    ld e,a         ; 2
    ld a,(maskor)  ; 9
    or a,e         ; 2
    ioi ld (port),a ; 13 store in port
    inc hl         ; 2 point to next
    ld a,(hl)      ; 5 check for end of array
    or a,a         ; 2
    jr nz,step2    ; 2
    ld hl,(beginptr); 11 reset hl to start of array
step2:
    ld (ptr),hl    ; 13 save hl
    pop de         ; 7
    pop hl
    pop af
    reti          ; 7 return from interrupt

; 153 clocks total worst case - 7.5 us at 20 MHz
```

This routine would take approximately 15% of the processor's compute time assuming 50 μ s between interrupts. This routine could be speeded up, but at the expense becoming more complicated. Instead of "and" and "or" masks, a higher level routine could modify the array directly, and the end of the array could be detected by testing a bit pattern in HL. The higher level routine would have to suppress the interrupt while changing the bit pattern in the array, or otherwise prevent erratic outputs while the array is being changed. If the relay emits a whistle at the period of the modulation, the acoustic energy can be spread out over the spectrum by periodically missing an "off" pulse, creating a phase shift of 180°. A faster routine that executes in two-thirds the time is shown below.

```

push af          ;10
push hl
ld hl,(ptr)     ;11
ld a,(hl)       ;5
ioi ld (port),a ; 13 output data
inc hl
ld a,0x0f       ;4
and l           ; see if hl at end of cycle
jr z,step2
ld (ptr),hl
pop hl
pop af
reti
step2:
ld a,(beginptr)
ld l,a
ld (ptr),hl     ;13
pop hl          ;7
pop af
reti
; 103 clocks total

```

4.2 Open-Drain Outputs Used for Key Scan

The parallel port D outputs can be individually programmed to be open drain. This is useful for scanning a switch matrix, as shown in Figure 4-2. A row is driven low, then the columns are scanned for a low input line, which indicates a key is closed. This is repeated for each row. The advantage of using open-drain outputs is that if two keys in the same column are depressed, there will not be a fight between a driver driving the line high and another driver driving it low.

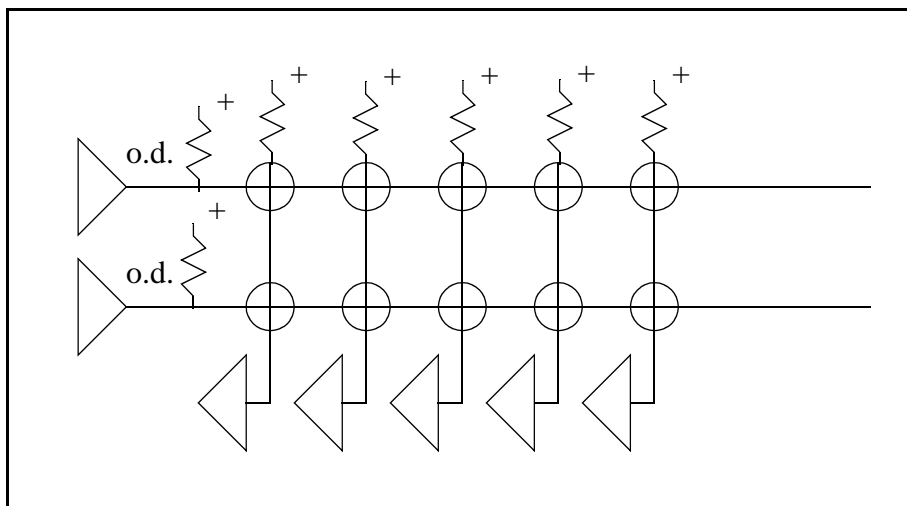


Figure 4-2. Using Open-Drain Outputs for Key Scan

4.3 Cold Boot

Most microprocessors start executing at a fixed address, often address zero, after a reset or power-on condition. The Rabbit has two mode pins (SMODE0, SMODE1—see Figure 5-1). The logic state of these two pins determines the startup procedure after a reset. If both pins are grounded, then the Rabbit starts executing instructions at address zero. On reset, address zero is defined to be the start of the memory connected to the memory control lines /CS0, and /OE0. However, three other startup modes are available. These alternate methods all involve accepting a data stream via a communications port that is used to store a boot program in a RAM memory, which in turn can be used to start any further secondary boot process, such as downloading a program over the same communications port. (For a detailed description, see Section 7.10, “Bootstrap Operation”)

Three communication channels may be used for the bootstrap, either serial port A in asynchronous mode at 2400 bps, serial port A in synchronous mode with an external clock, or the (parallel) slave port.

The cold-boot protocol accepts groups of three bytes that define an address and a data byte. Each triplet causes a write of the data byte to either memory or to internal I/O space. The high bit of the address is set to specify the I/O space, and thus writes are limited to the first 32K of either space. The cold boot is terminated by a store to an address in I/O space, which causes execution to begin at address zero. Since any memory chip can be remapped to address zero by storing in the I/O space, RAM can be temporarily be mapped to zero to avoid having to deal with the more complicated write protocol of flash memory, which is the usual default memory located at address zero.

The following are the advantages of the cold-boot capability.

- Flash memory can be soldered to the microprocessor board and programmed via a serial port or a parallel port. This avoids having to socket the part or program it with a BIOS or boot program before soldering.
- Complete reprogramming of the flash memory can be accomplished in the field. This is particularly useful during software development when the development platform can perform a complete reload of software regardless of the state of the existing software in the processor. The standard programming cable for Dynamic C allows the development platform to reset and cold boot the target, a Rabbit-based microprocessor board.
- If the Rabbit is used as a slave processor, the master processor can cold boot it over via the slave port. This means the slave can operate without any nonvolatile memory. Only RAM is required.

4.4 The Slave Port

The slave port allows a Rabbit to act as a slave to another processor, which can also be a Rabbit. The slave has to have only a processor chip, a RAM chip, and clock and reset signals that can be supplied by the master. The master can cold boot and download a program to the slave. The master does not have to be a Rabbit processor, but can be any type of processor capable of reading and writing standard registers.

For a detailed description, see Chapter 13 Rabbit Slave Port

The slave processor's slave port is connected to the master processor's data bus. Communication between the master and the slave takes place via three registers, implemented in the Rabbit, for each direction of communication, for a total of six data registers. In addition, there is a slave port status register that can be read by either the master or the slave (see Figure 13-1). Two slave address lines are used by the master to select the register to be read or written. The registers that carry data from the master to the slave appear as write registers to the master and as read registers to the slave. The registers that operate in the opposite direction appear as read registers to the master and as write registers to the slave. These registers appear as read-write registers on both sides, but are not true read-write registers since different data may be read from what is written. The master provides the clock or strobe to store data in the three write registers under its control. The master also can do a write to the status register, which is used as a signaling device and does not actually write to the status register. The three registers that the master can write appear as read registers to the slave Rabbit. The master provides an enable strobe to read the three read data registers and the status register. These registers are write registers to the Rabbit.

The first register or the three pairs of registers is special in that writing can interrupt the other processor in the master-slave communications link. An output line from the slave is asserted when the slave writes to slave register zero. This line can be used to interrupt the master. Internal circuits in the slave can be setup up to interrupt the slave when the master writes to slave register zero.

The status register that is available to both sides keeps score on all the registers and reports if a potential interrupt is requested by either side. The status register keeps track of the "full-empty" status of each register. A register is considered full when one side of the link writes to it. It becomes empty if the other side reads it. In this way either side can test if the other side has modified a register or whether either side has even stored the same information to a register.

The master-slave communication link makes possible "set and forget" communication protocols. Either side can issue a command or request by storing data in some register and then go about its business while the other side takes care of the request according to its own time schedule. The other side can be alerted by an interrupt that takes place when a store is made to register zero, or it can alert itself by a periodic poll of the status register.

Of the three registers seen by each side for each direction of communication, the first register, slave register zero, has a special function because an interrupt can only be generated by a write to this register, which then causes an interrupt to take place on the other side of the link if the interrupt is enabled. One type of protocol is to store data first in registers 1 and 2, and then as the last step store to register 0. Then 24 bits of data will be available to the interrupt routine on the other side of the link.

Bulk data transfers across the link can take place by an interrupt for each byte transferred, similar to a typical serial port or UART. In this case, a full-duplex transfer can take place, similar to what can be done with a UART. The overhead for such an interrupt-driven transfer will be on the order of 100 clocks per byte transferred, assuming a 20-instruction interrupt routine. (To keep the interrupt routine to 20 instructions, the interrupt routine needs to be very focused as opposed to general purpose.) Several methods are available to cater to a faster transfer with less computing overhead. There are enough registers to transfer two bytes on each interrupt, thus nearly halving the overhead. If a rendezvous is arranged between the processors, data can be transferred at approximately 25 clocks per byte. Each side polls the status register waiting for the other side to read/write a data register, which is then written/read again by the other side.

4.4.1 Slave Rabbit As A Protocol UART

A prime application for the Rabbit used as a slave is to create a 4-port UART that can also handle the details of a communication protocol. The master sends and receives messages over the slave port. Error correction, retransmission, etc., can be handled by the slave.

5. PIN ASSIGNMENTS AND FUNCTIONS

5.1 Package Schematic and Pinout

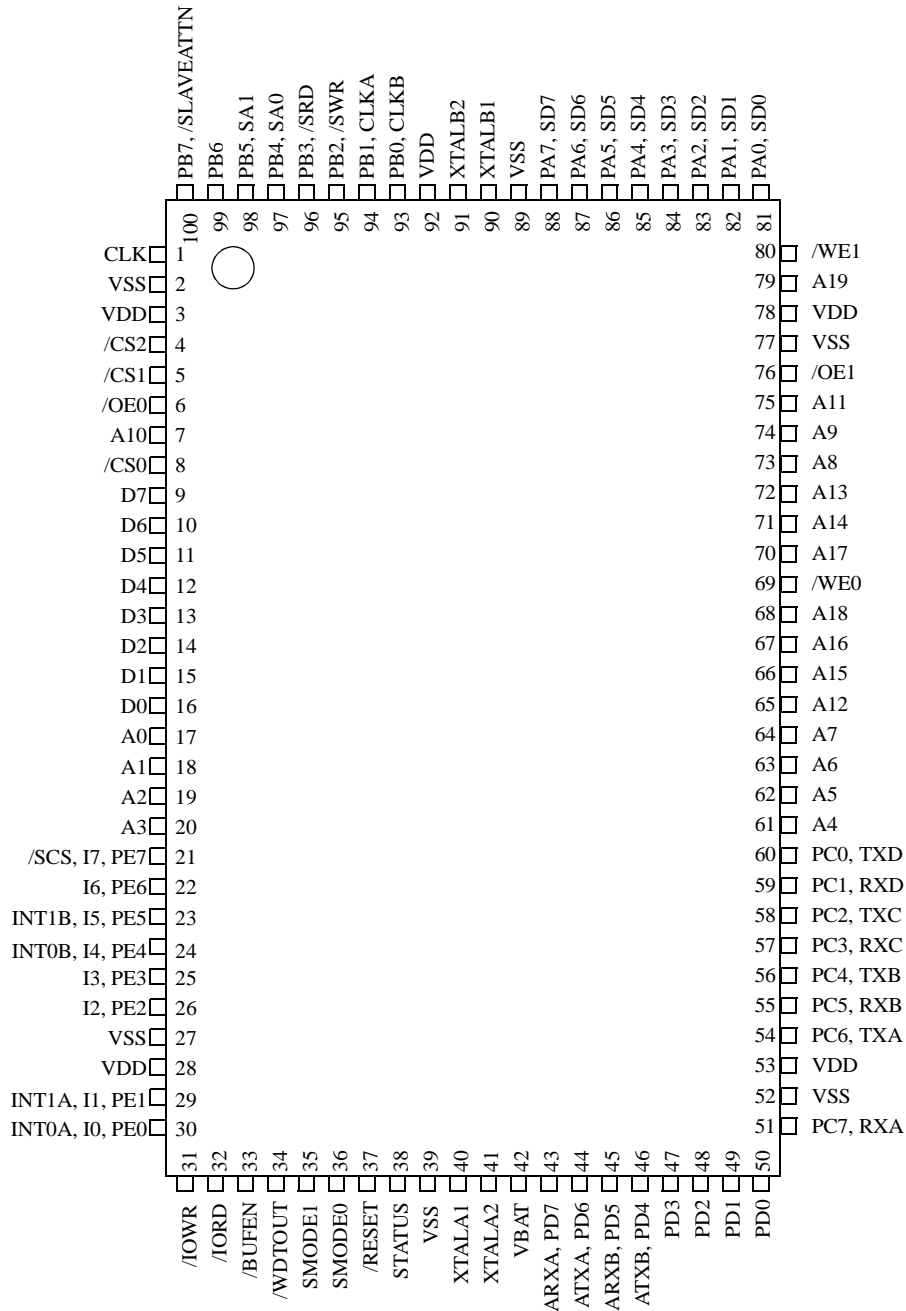


Figure 5-1. Package Outline and Pin Assignments

5.2 Package Mechanical Dimensions

Figure 5-2 shows the mechanical dimensions of the Rabbit PQFP package.

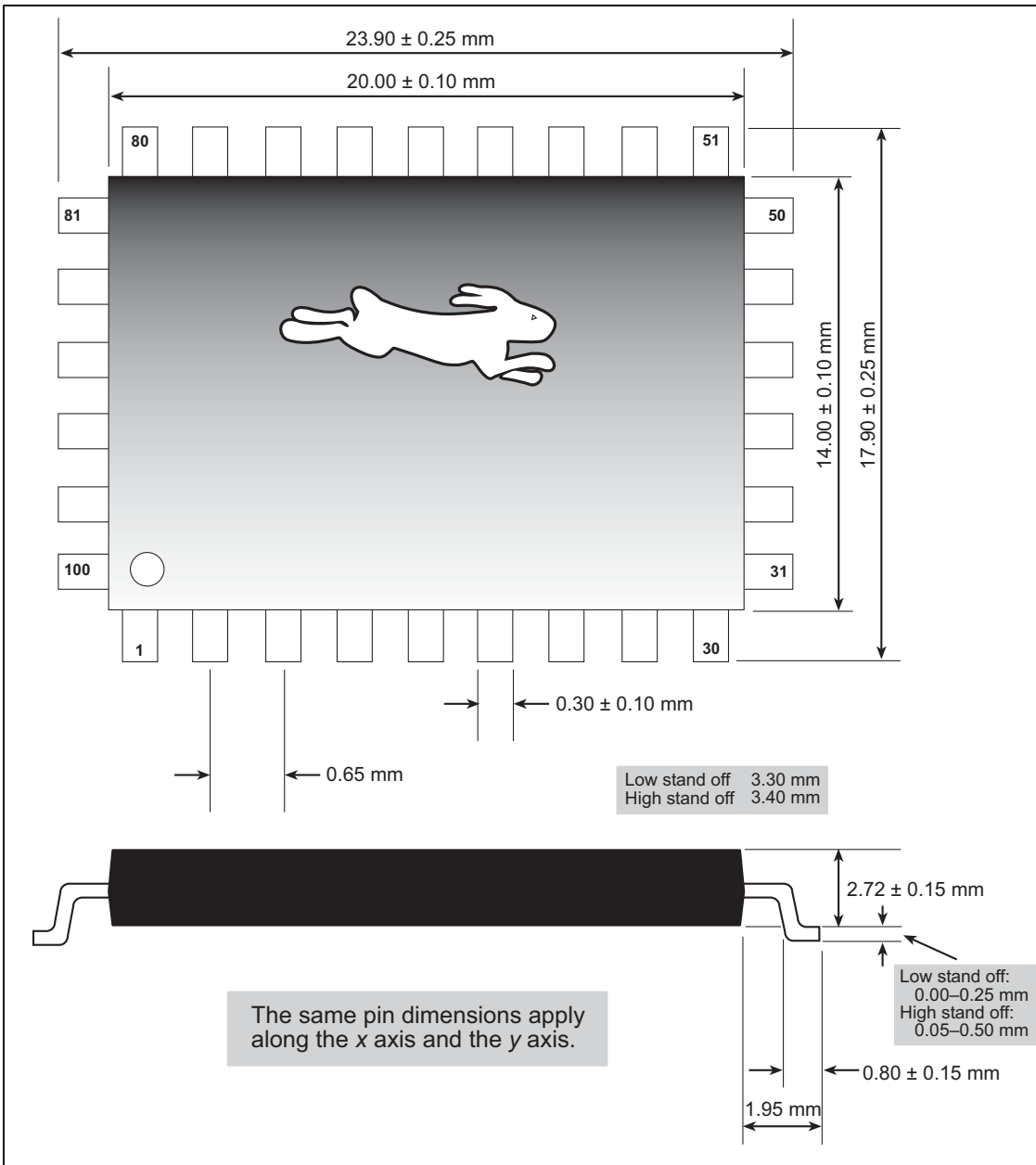


Figure 5-2. Mechanical Dimensions Rabbit PQFP Package

Figure 5-3 shows the PC board land pattern for the Rabbit 100-pin PQFP. This land pattern is RLP 711A, the registered land pattern for the Rabbit 2000 chip as developed by the Surface Mount Land Patterns Committee and specified in IPC-SM-782A, *Surface Mount Design and Land Pattern Standard*, IPC, Northbrook, IL, 1999.

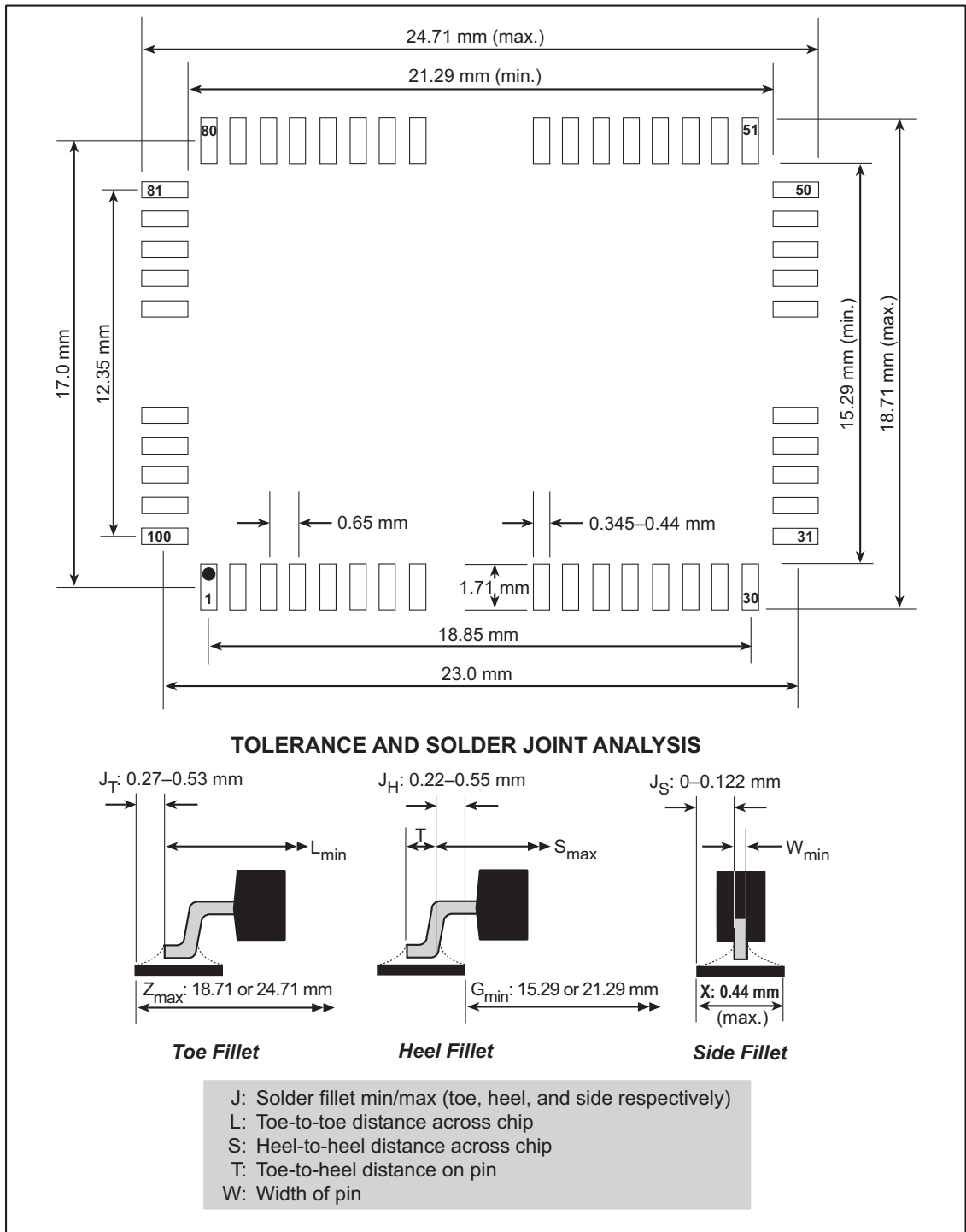


Figure 5-3. PC Board Land Pattern for Rabbit 100-pin PQFP

5.3 Rabbit Pin Descriptions

Table 5-1 lists all the pins on the device, along with their direction, function, and pin number on the package.

Table 5-1. Rabbit Pin Descriptions

Pin Group	Pin Name	Direction	Function	Pin Numbers
Hardware	CLK	Output	Peripheral clock output. This signal is derived internally from the main system oscillator as perclk , and may be divided by 8, doubled, or both, by programmable internal circuitry. This signal is enabled after reset. Under program control, this pin can output the full internal clock frequency, or 1/2 the internal frequency, or it can be used as a general-purpose output pin under software control. See Table 7-4, “Global Output Control Register (GOCR = 0x0E).”	1
	/RESET	Input	Master reset.	37
	XTALA1	Input	Quartz crystal for 32 kHz clock oscillator. Lines to the crystal should be short and shielded from crosstalk. If an external clock is used, this pin should be driven by the external clock.	40
	XTALA2	Output	Quartz crystal for 32 kHz crystal oscillator. Do not connect if an external clock is used.	41
	XTALB1	Input	Quartz crystal for main system oscillator. Lines to the crystal should be short and shielded from crosstalk. If an external clock is used this pin should be driven by the external clock.	90
	XTALB2	Output	Quartz crystal for main system oscillator. Do not connect if an external clock is used.	91
CPU Buses	A0–A19	Output	Address bus.	7, 17–20, 61–68, 70–75, 79
	D0–D7	Bidirectional	Data bus.	9–16
Status/ Control	/WDTOUT	Output	WDT timeout—outputs a pulse when the internal watchdog times out. May also be used to output a 30 μs pulse.	34
Status	STATUS	Output	Programmable for functions: 1. driven low on first opcode fetch cycle 2. driven low during interrupt acknowledge cycle 3. to serve as a general-purpose output. See Table 7-4, “Global Output Control Register (GOCR = 0x0E).”	38

Table 5-1. Rabbit Pin Descriptions (continued)

Pin Group	Pin Name	Direction	Function	Pin Numbers
Status	SMODE1 SMODE0	Input	Startup mode select (SMODE1 = pin 35, SMODE0 = pin 36) to determine bootstrap procedure. (SMODE1 = 0, SMODE0 = 0) start executing at address zero. (0,1) cold boot from slave port. (1,0) cold boot from clocked serial port A. (1,1) cold boot from asynchronous serial port A at 2400 bps. The SMODE pins can be used as general input pins once the cold boot is complete.	35–36 (1:0)
Chip Selects	/CS0	Output	Memory Chip Select 0—connects directly to static memory chip select pin. Normally this pin is used to select base flash memory that holds the program.	8
	/CS1	Output	Memory Chip Select 1—normally this pin is connected directly to static RAM chip select. /CS1 can be optionally forced continuously low under software control, a feature that aids in the use of battery-backed RAM when the chip select must pass through a controller that may have a slow propagation time.	5
	/CS2	Output	Memory Chip Select 2—connect to static memory chip. Use this chip select last.	4
Output Enables	/OE0	Output	Memory Output Enable 0—connect directly to static memory chip.	6
	/OE1	Output	Memory Output Enable 1—alternate memory output enable allows chip selects to be shared between two memory chips.	76
Write Enables	/WE0	Output	Memory Write Enable 0—connect directly to static memory chip. This pin may be disabled under software control to write protect the chip.	69
	/WE1	Output	Memory Write Enable 1—connect directly to static memory chip. This pin may be disabled under software control to write protect the chip.	80
I/O Control	/BUFEN	Output	I/O Buffer Enable—this signal is driven low during an external I/O cycle and may be used to control 3-state enable on the bus buffer. The purpose is to save power by not driving the I/O address or data lines on every bus cycle.	33

Table 5-1. Rabbit Pin Descriptions (continued)

Pin Group	Pin Name	Direction	Function	Pin Numbers
I/O Read Strobe	/IORD	Output	I/O read strobe. Driven low on an external I/O read bus cycle. May be used to drive glue logic concerned with I/O expansion, such as the direction pin on a bidirectional bus buffer. See also programmable strobes in port E.	32
I/O Write Strobe	/IOWR	Output	I/O write strobe. Driven low as a write strobe during external I/O write cycles. Is enabled by the I/O bank control register. See also programmable strobes in port E.	31
I/O Port A	PA0–PA7	Input/ Output	These 8 bits serve as general-purpose input output or they serve as the data port for the slave port. On reset these pins are set to inputs and they float.	81–88
I/O Port B	PB0–PB7	6 In/2 Out	<p>I/O Port B. When used as parallel I/O, PB7 and PB6 are outputs only. PB0–PB5 are inputs only.</p> <p>PB0 and PB1 can be outputs when set up as the clock for the clocked serial ports. On reset, the outputs are set to zero. If the slave port is enabled, the following alternate assignments apply:</p> <p>PB7—/SLAVEATTN: slave requests attention.</p> <p>PB5, PB4—address lines (SA1, SA0) for slave registers.</p> <p>PB3—slave negative read strobe from master.</p> <p>PB2—slave negative write strobe from master.</p> <p>If serial port A is enabled in clocked mode, then PB1 is the bidirectional clock line. If serial port B is enabled in clocked mode, then PB0 is the bidirectional clock line.</p>	93–100
I/O Port C	PC0–PC7	4 In/4 Out	I/O Port C. When used as a parallel port, bits 1, 3, 5, 7 are inputs and bits 0, 2, 4, 6 are outputs. Bits 0, 2, 4, 6 can alternately be selectively enabled to serve as the serial data output for serial ports D, C, B, A respectively. Bits 1, 3, 5, 7 serve as the serial data inputs for serial ports D, C, B, A. These inputs can also be read from the parallel port register when they are being used by the serial port UART.	51, 54–60

Table 5-1. Rabbit Pin Descriptions (continued)

Pin Group	Pin Name	Direction	Function	Pin Numbers
I/O Port D	PD0–PD7	Input/ Output/ output open drain	I/O Port D. Each bit may be individually selected to be an input or output. Each output may be selected to be high-low drive or open drain. Outputs are buffered by timer-synchronizable registers for precision edge control. PD6 can be programmed to be an optional serial output for serial port A. PD4 can be programmed to be an optional serial output for serial port B. PD7 and PD5 can be used as alternate serial inputs by serial ports A and B, in which case these pins should be programmed as inputs.	43–50
I/O Port E	PE7–PE0	Input/ Output	I/O Port E. Each bit may be individually selected to be an input or output. Outputs are buffered by timer-synchronizable registers for precision edge control. Each of the port lines can be individually selected to be an I/O control signal instead of a parallel I/O line. Each of the 8 possible I/O control signals is a strobe energized on an external I/O cycle to 1/8th of the 64K external I/O space. Each strobe can be programmed to be a chip select, a write strobe, a read strobe or a combined read and write strobe. Any port bit used as an I/O control strobe must be programmed as an output bit. If the slave port is enabled, PE7 is used as the slave register chip select signal (negative active). PE7 should be programmed as an input for the slave register chip select function to work. If PE7 is programmed as an output and set low, then the slave register chip select will always be activated. PE0 and PE4 serve as alternate inputs for external interrupt 0. PE1 and PE5 serve as alternate inputs for external interrupt 1. If PE0 is enabled, then PE1 must also be enabled and similarly for PE4 and PE5. The interrupt is triggered in software on fall, rising or both edges. If both interrupts are enabled, they are or'ed together after edge detection has been performed on each input individually. The port bits must be set up as inputs for the to use them as interrupt request inputs.	21–26, 29, 30

Table 5-1. Rabbit Pin Descriptions (continued)

Pin Group	Pin Name	Direction	Function	Pin Numbers
Power	VBAT		+3.0 V (battery backup), +3.3 V or +5.0 V	42
	VDD		+3.3 V or +5.0 V	3, 28, 53, 78, 92
	VSS		Ground	2, 27, 39, 52, 77, 89
Serial Ports	CLKA	Input/ Output	Clock for serial port A when operating in synchronous mode. Alternate assignment for PB1.	94
	CLKB	Input/ Output	Clock for serial port B when operating in synchronous mode. Alternate assignment for PB0.	93
	RXA, TXA, RXB, TXB, RXC, TXC, RXD, TXD	RX—input TX—output	Serial inputs and output for serial ports A–D. These are alternate pin assignments for parallel port C.	51, 54–60
	ARXA, ATXA, ARXB, ATXB	RX—input TX—output	Alternate serial inputs and output for serial ports A and B. These are alternate pin assignments for parallel port D, PD4–PD7.	43–46
Slave Port	SD0-SD7	Bidirectional	Slave port data bus. An alternate assignment for parallel port A.	81–88
	/SLAVEATT N	Output	/SLAVEATTN—Slave is requesting attention from the master. An alternate pin assignment for parallel port B, bit 7.	100
	/SRD	Input	Strobe used to read one of the slave registers. An alternate pin assignment for parallel port B, bit 3.	96
	/SWR	Input	Strobe used to write a slave register. An alternate pin assignment for parallel port B, bit 2.	95
	SA0, SA1	Input	Address lines to address slave registers. An alternate pin assignment for parallel port B, bits 4 and 5.	97,98
	/SCS	Input	Chip select for slave port, active low. An alternate pin assignment for parallel port E, bit 7.	21

Table 5-1. Rabbit Pin Descriptions (continued)

Pin Group	Pin Name	Direction	Function	Pin Numbers
I/O Strobes	/I0,/I1, /I2, /I3, /I4, /I5, /I6, /I7	Outputs	I/O strobes. Each strobe uses 1/8th of the I/O space or 8K addresses. Each strobe can be programmed as: chip select, read, write, combined read or write. These are alternate pin assignment for parallel port E, bits 0–7. Each pin may be individually re-assigned from parallel port to strobe functionality.	21–26, 29, 30
External Interrupt 0	INT0A, INT0B	Inputs	These pins are sampled and an interrupt request for external interrupt number 0 is latched on a specified transition (pos, neg, either). There is a separate latch for each pin. May be enabled when this pin is set up as input for parallel port E. The value of the pin may also be read via the parallel port. Uses bits 0, 4 of the parallel port. If parallel port is set up as output, the parallel port output may be used to cause the interrupt.	24, 30
External Interrupt 1	INT1A, INT1B	Inputs	These pins are sampled and an interrupt request for external interrupt number 1 is latched on a specified transition (pos, neg, either). There is a separate latch for each pin. May be enabled when this pin is set up as input for parallel port E. The value of the pin may also be read via the parallel port. Uses bits 1, 5 of the parallel port. If parallel port is set up as output, the parallel port output may be used to cause the interrupt.	23, 29

5.4 Bus Timing

The external bus has essentially the same timing for memory cycles or I/O cycles. A memory cycle begins with the chip select and the address lines. One clock later, the output enable is asserted for a read. The output data and the write enable are asserted for a write.

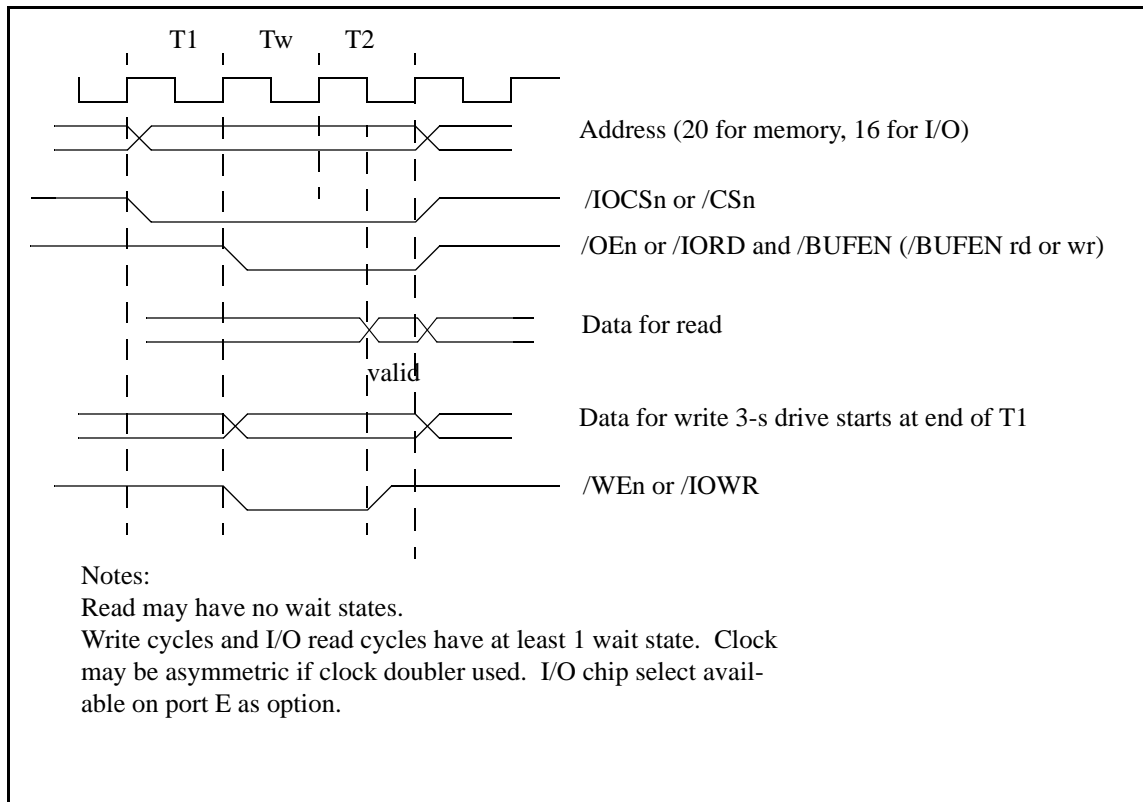


Figure 5-4. Bus Timing Read and Write

In some cases, the timing shown in Figure 5-4 may be prefixed by a false memory access during the first clock, which is followed by the access sequence shown in Figure 5-4. In this case, the address and often the chip select will change values after one clock and assume the final values for the memory to be actually accessed. Output enable and write enable are always delayed by one clock from the time the final, stable address and chip select are enabled. Normally the false memory access attempts to start another instruction access cycle, which is aborted after one clock when the processor realizes that a read data or write data bus cycle is needed. The user should not attempt a design that uses the chip select or a memory address as a clock or state changing signal without taking this into consideration.

5.5 Description of Pins with Alternate Functions

Table 5-2. Pins With Alternate Functions

Pin Name	Output Function	Input Function	Other Function
STATUS (38)	1. Low on first op code fetch. 2. Low on interrupt acknowledge		Programmable output port high/low
SMODE1 (35)		(SMODE0, SMODE1) Startup boot mode control.	1-bit input after boot complete.
SMODE0 (36)		(SMODE0, SMODE1) Startup boot mode control.	1-bit input after boot complete.
CLK (1)	1. Peripheral clock. 2. Peripheral clock/2.		Programmable output port high/low
/WDTOUT (34)	Outputs 30.5 μ s pulse on watchdog timeout (processor is also reset).		Outputs a pulse between 30.5 and 61 μ s under program control.
PA7 (88)	SD7	SD7	
PA6 (87)	SD6	SD6	
PA5 (86)	SD5	SD5	
PA4 (85)	SD4	SD4	
PA3 (84)	SD3	SD3	
PA2 (83)	SD2	SD2	
PA1 (82)	SD1	SD1	
PA0 (81)	SD0	SD0	
PB7 (100)	/SLAVEATTN (master needs attention from slave).		
PB5 (98)		SA1 (slave address).	
PB4 (97)		SA0	
PB3 (96)		/SRD (strobe for master to read a slave register).	
PB2 (95)		/SWR (strobe for master to write slave register).	

Table 5-2. Pins With Alternate Functions (continued)

Pin Name	Output Function	Input Function	Other Function
PB1 (94)	CLKA (serial port A clocked mode clock, bidirectional).	CLKA	
PB0 (93)	CLKB (bidirectional).	CLKB	
PC7 (51)		RXA	
PC6 (54)	TXA		
PC5 (55)		RXB	
PC4 (56)	TXB		
PC3 (57)		RXC	
PC2 (58)	TXC		
PC1 (59)		RXD	
PC0 (60)	TXD		
PD7 (43)		ARXA	
PD6 (44)	ATXA		
PD5 (45)		ARXB	
PD4 (46)	ATXB		
PD3 (47)			
PD2 (48)			
PD1 (49)			
PD0 (50)			
PE7 (21)	/I7—programmable I/O strobe.	/SCS (slave chip select).	
PE6 (22)	/I6		
PE5 (23)	/I5	INT1 (input)	
PE4 (24)	/I4	INT0 (input)	
PE3 (25)	/I3		
PE2 (27)	/I2		
PE1 (29)	/I1	INT1 (input)	
PE0 (30)	/I0	INT0 (input)	

5.6 DC Characteristics

Table 5-3. Rabbit 2000 Absolute Maximum Ratings

Symbol	Parameter	Maximum Rating
T_A	Operating Temperature	-55°C to +85°C
T_S	Storage Temperature	-65°C to +150°C
	Maximum Input Voltage*	-0.6 to ($V_{DD} + 0.75$) V
V_{DD}	Maximum Operating Voltage	6.0 V
	Max Current Through Input Protection Diodes	5.0 mA

* The minimum voltage is -0.6 V DC, which may undershoot to -2.0 V for pulses that are shorter than 20 ns. The maximum output pin voltage is $V_{DD} + 0.75$ V DC, which may overshoot for pulses that are shorter than 20 ns.

NOTE: Stresses beyond those listed in Table 5-3 may cause permanent damage. **The ratings are stress ratings only, and functional operation of the Rabbit 2000 chip at these or any other conditions beyond those indicated in this section is not implied.** Exposure to the absolute maximum rating conditions for extended periods may affect the reliability of the Rabbit 2000 chip.

5.6.1 5.0 Volts

Table 5-4 outlines the DC characteristics for the Rabbit at 5.0 V over the recommended operating temperature range from $T_a = -40^{\circ}\text{C}$ to $+85^{\circ}\text{C}$, $V_{DD} = 4.5\text{ V}$ to 5.5 V .

Table 5-4. 5.0 Volt DC Characteristics

Symbol	Parameter	Test Conditions	Min	Typ	Max	Units
I_{IH}	Input Leakage High	$V_{IN} = V_{DD}$, $V_{DD} = 5.5\text{ V}$			10	μA
I_{IL}	Input Leakage Low (no pull-up)	$V_{IN} = V_{SS}$, $V_{DD} = 5.5\text{ V}$	-10			μA
I_{OZ}	Output Leakage (no pull-up)	$V_{IN} = V_{DD}$ or V_{SS} , $V_{DD} = 5.5\text{ V}$	-10		10	μA
V_{IL}	CMOS Input Low Voltage				$0.3 \times V_{DD}$	V
V_{IH}	CMOS Input High Voltage		$0.7 \times V_{DD}$			V
V_T	CMOS Switching Threshold	$V_{DD} = 5.0\text{ V}$, 25°C		2.4		V
V_{OL}	CMOS Output Low Voltage	$I_{OL} = \text{See Table 5-6}$ (sinking) $V_{DD} = 4.5\text{ V}$		0.2	0.4	V
V_{OH}	CMOS Output High Voltage	$I_{OH} = \text{See Table 5-6}$ (sourcing) $V_{DD} = 4.5\text{ V}$	$0.7 \times V_{DD}$	4.2		V

5.6.2 3.3 Volts

Table 5-5 outlines the DC characteristics for the Rabbit at 3.3 V over the recommended operating temperature range from $T_a = -40^{\circ}\text{C}$ to $+85^{\circ}\text{C}$, $V_{DD} = 2.7\text{ V}$ to 3.6 V .

Table 5-5. 3.3 Volt DC Characteristics

Symbol	Parameter	Test Conditions	Min	Typ	Max	Units
I_{IH}	Input Leakage High	$V_{IN}=V_{DD}$, $V_{DD}=3.6\text{V}$			5	μA
I_{IL}	Input Leakage Low (no pull-up)	$V_{IN}=V_{SS}$, $V_{DD}=3.6\text{V}$	-5			μA
I_{OZ}	Output Leakage (no pull-up)	$V_{IN}=V_{DD}$ or V_{SS} , $V_{DD}=3.6\text{V}$	-5		5	μA
V_{IL}	CMOS Input Low Voltage				$0.3 \times V_{DD}$	V
V_{IH}	CMOS Input High Voltage		$0.7 \times V_{DD}$			V
V_T	CMOS Switching Threshold	$V_{DD}=3.0\text{V}$, 25°C		1.5		V
V_{OL}	CMOS Output Low Voltage	I_{OL} = See Table 5-6 (sinking) $V_{DD}=2.7\text{V}$		0.11	0.4	V
V_{OH}	CMOS Output High Voltage	I_{OH} = See Table 5-6 (sourcing) $V_{DD}=2.7\text{V}$	$0.7 \times V_{DD}$	2.3		V

5.7 I/O Buffer Sourcing and Sinking Limit

Unless otherwise specified, the Rabbit I/O buffers are capable of sourcing and sinking 8 mA of current per pin at full AC switching speed. Full AC switching assumes 22.11 MHz CPU clock and capacitive loading on address and data lines of less than 100 pF per pin. Address pin A0 and Data pin D0 are rated at 16 mA each.

Table 5-6 shows the AC and DC output drive limits of the parallel I/O buffers.

Table 5-6. I/O Buffer Sourcing and Sinking Capability

Pin Name	Output Drive Sourcing*/Sinking† Limits (mA)	
	Full AC Switching SRC/SNK	Maximum‡ DC Output Drive SRC/SNK
PA [7:0]	8/8	12/12
PB [7:6]	8/8	12/12
PC [6, 4, 2, 0]	8/8	12/12
PD [7:4]	8/8	12/12
PD [3:0]**	16/16	25/25
PE [7:0]	8/8	12/12

* The maximum DC sourcing current for I/O buffers between V_{DD} pins is 112 mA.

† The maximum DC sinking current for I/O buffers between V_{SS} pins is 150 mA.

‡ The maximum DC output drive on I/O buffers must be adjusted to take into consideration the current demands made by AC switching outputs, capacitive loading on switching outputs, and switching voltage.

The current ascribed to AC switching is the average current that flows while AC switching is taking place. This can be computed using $I = CVf$, where f is the number of transitions per second, C is the capacitance switched, and V is the voltage swing. For example, if 12,000,000 transitions per second take place with a 5 V swing driving 100 pF, then $I = 6$ mA for one pin. The current attributable to all the pins between the power or ground pins must be summed to test the limits, including the current attributable to switching current or DC current.

The current drawn by all switching and non-switching I/O must not exceed the limits specified in the first two footnotes.

**The combined sourcing from Port D [7:0] may need to be adjusted so as not to exceed the 112 mA sourcing limit requirement specified above.

6. RABBIT INTERNAL I/O REGISTERS

6.1 Default Values for all the Peripheral Control Registers

The default values for all of the peripheral control registers are shown in Table 6-1. Additional I/O registers were added in the Rabbit 2000 revisions as listed in the table. Refer to Section B.2.1 for more information.

The registers within the CPU affected by a reset are the Stack Pointer (SP) register, the Program Counter (PC) register, the IIR register, the EIR register, and the IP register. The IP register is set to all ones (disabling all interrupts), while all of the other listed CPU registers are reset to all zeros.

Table 6-1. Rabbit Internal I/O Registers

Register Name	Mnemonic	I/O Address	R/W	Reset
Data Segment Register (data segment memory pointer—locates data segment in physical memory)	DATASEG (Z180 BBR)	0x12	R/W	00000000
Segment Size Register (specifies start of data segment and start of stack segment in 64K memory space)	SEGSIZE (Z180 CBAR)	0x13	R/W	11111111
Stack Segment Register (stack segment memory pointer—locates stack segment in physical memory)	STACKSEG (Z180 CBR)	0x11	R/W	00000000
Global Control/Status Register (control of clocks, periodic interrupts, and monitoring of watchdog)	GCSR	0x0	R/W	11000000
Global Clock Double Register	GCDR	0xF	W	xxxxx000
Global Clock Modulator 0 Register (Rev B–C)	GCM0R	0x0A	W	00000000
Global Clock Modulator 1 Register (Rev B–C)	GCM1R	0x0B	W	00000000
Global CPU Configuration Register (Rev A–C)	GCPU	0x2E	R	0xx00000
Global Output Control Register	GOCR	0xE	W	00000x00

Table 6-1. Rabbit Internal I/O Registers (continued)

Register Name	Mnemonic	I/O Address	R/W	Reset
Rabbit 2000 Global Revision Register (Rev A–C)	GREV	0x2F	R	0xx00000
Rabbit 2000A Global Revision Register (Rev A–C)				0xx00001
Rabbit 2000B Global Revision Register (Rev A–C)				0xx00010
Rabbit 2000C Global Revision Register (Rev A–C)				0xx00011
I/O Bank 0 Control Register	IB0CR	0x80	W	00000xxx
I/O Bank 1 Control Register	IB1CR	0x81	W	00000xxx
I/O Bank 2 Control Register	IB2CR	0x82	W	00000xxx
I/O Bank 3 Control Register	IB3CR	0x83	W	00000xxx
I/O Bank 4 Control Register	IB4CR	0x84	W	00000xxx
I/O Bank 5 Control Register	IB5CR	0x85	W	00000xxx
I/O Bank 6 Control Register	IB6CR	0x86	W	00000xxx
I/O Bank 7 Control Register	IB7CR	0x87	W	00000xxx
Interrupt 0 Control Register	I0CR	0x98	W	xx000000
Interrupt 1 Control Register	I1CR	0x99	W	xx000000
Memory Bank 0 Control Register (Rev A–C)	MB0CR	0x14	W	00001000
Memory Bank 0 Control Register (original chip)	MB0CR	0x14	W	00000000
Memory Bank 1 Control Register	MB1CR	0x15	W	xxxxxxxx
Memory Bank 2 Control Register	MB2CR	0x16	W	xxxxxxxx
Memory Bank 3 Control Register	MB3CR	0x17	W	xxxxxxxx
MMU Instruction/Data Register (controls I & D space enable and battery switchover support for /CS1)	MMIDR	0x10	R/W	xxx00000
Memory Timing Control Register (Rev C)	MTCR	0x19	W	xxxx0000
Port A Data Register	PADR	0x30	R/W	xxxxxxxx
Port B Data Register	PBDR	0x40	R/W	00xxxxxxxx
Port C Data Register	PCDR	0x50	R/W	x0x0x0x0
Port C Function Register	PCFR	0x55	W	x0x0x0x0
Port D Data Register	PDDR	0x60	R/W	xxxxxxxx
Port D Control Register	PDCR	0x64	W	xx00xx00
Port D Function Register	PDFR	0x65	W	xxxxxxxx
Port D Drive Control Register	PDDCR	0x66	W	xxxxxxxx

Table 6-1. Rabbit Internal I/O Registers (continued)

Register Name	Mnemonic	I/O Address	R/W	Reset
Port D Data Direction Register	PDDDR	0x67	W	00000000
Port D Bit 0 Register	PDB0R	0x68	W	xxxxxxxx
Port D Bit 1 Register	PDB1R	0x69	W	xxxxxxxx
Port D Bit 2 Register	PDB2R	0x6A	W	xxxxxxxx
Port D Bit 3 Register	PDB3R	0x6B	W	xxxxxxxx
Port D Bit 4 Register	PDB4R	0x6C	W	xxxxxxxx
Port D Bit 5 Register	PDB5R	0x6D	W	xxxxxxxx
Port D Bit 6 Register	PDB6R	0x6E	W	xxxxxxxx
Port D Bit 7 Register	PDB7R	0x6F	W	xxxxxxxx
Port E Data Register	PEDR	0x70	R/W	xxxxxxxx
Port E Control Register	PECR	0x74	W	xx00xx00
Port E Function Register	PEFR	0x75	W	xxxxxxxx
Port E Data Direction Register	PEDDR	0x77	W	00000000
Port E Bit 0 Register	PEB0R	0x78	W	xxxxxxxx
Port E Bit 1 Register	PEB1R	0x79	W	xxxxxxxx
Port E Bit 2 Register	PEB2R	0x7A	W	xxxxxxxx
Port E Bit 3 Register	PEB3R	0x7B	W	xxxxxxxx
Port E Bit 4 Register	PEB4R	0x7C	W	xxxxxxxx
Port E Bit 5 Register	PEB5R	0x7D	W	xxxxxxxx
Port E Bit 6 Register	PEB6R	0x7E	W	xxxxxxxx
Port E Bit 7 Register	PEB7R	0x7F	W	xxxxxxxx
Real Time Clock Control Register	RTCCR	0x1	W	00000000
Real Time Clock Byte 0 Register	RTC0R	0x2	R/W	xxxxxxxx
Real Time Clock Byte 1 Register	RTC1R	0x3	R	xxxxxxxx
Real Time Clock Byte 2 Register	RTC2R	0x4	R	xxxxxxxx
Real Time Clock Byte 3 Register	RTC3R	0x5	R	xxxxxxxx
Real Time Clock Byte 4 Register	RTC4R	0x6	R	xxxxxxxx
Real Time Clock Byte 5 Register	RTC5R	0x7	R	xxxxxxxx
Serial Port A Data Register	SADR	0xC0	R/W	xxxxxxxx
Serial Port A Address Register	SAAR	0xC1	W	xxxxxxxx

Table 6-1. Rabbit Internal I/O Registers (continued)

Register Name	Mnemonic	I/O Address	R/W	Reset
Serial Port A Status Register	SASR	0xC3	R	0xx00000
Serial Port A Control Register	SACR	0xC4	W	xx000000
Serial Port B Data Register	SBDR	0xD0	R/W	xxxxxxxx
Serial Port B Address Register	SBAR	0xD1	W	xxxxxxxx
Serial Port B Status Register	SBSR	0xD3	R	0xx00000
Serial Port B Control Register	SBCR	0xD4	W	xx000000
Serial C Data Register	SCDR	0xE0	R/W	xxxxxxxx
Serial C Address Register	SCAR	0xE1	W	xxxxxxxx
Serial C Status Register	SCSR	0xE3	R	0xx00000
Serial C Control Register	SCCR	0xE4	W	xx00x000
Serial Port D Data Register	SDDR	0xF0	R/W	xxxxxxxx
Serial Port D Address Register	SDAR	0xF1	W	xxxxxxxx
Serial Port D Status Register	SDSR	0xF3	R	0xx00000
Serial Port D Control Register	SDCR	0xF4	W	xx00x000
Serial Port A Long Stop Register (Rev A–C)	SALR	0xC2	R/W	xxxxxxxx
Serial Port B Long Stop Register (Rev A–C)	SBLR	0xD2	R/W	xxxxxxxx
Serial Port C Long Stop Register (Rev A–C)	SCLR	0xE2	R/W	xxxxxxxx
Serial Port D Long Stop Register (Rev A–C)	SDLR	0xF2	R/W	xxxxxxxx
Slave Port Control Register	SPCR	0x24	R/W	000x0000
Slave Port Data 0 Register	SPD0R	0x20	R/W	xxxxxxxx
Slave Port Data 1 Register	SPD1R	0x21	R/W	xxxxxxxx
Slave Port Data 2 Register	SPD2R	0x22	R/W	xxxxxxxx
Slave Port Status Register	SPSR	0x23	R	00000000
Timer A Control/Status Register	TACSR	0xA0	R/W	0000xx00
Timer A Control Register	TACR	0xA2	W	0000xx00
Timer A Time Constant 1 Register	TAT1R	0xA3	W	xxxxxxxx
Timer A Time Constant 4 Register	TAT4R	0xA9	W	xxxxxxxx
Timer A Time Constant 5 Register	TAT5R	0xAB	W	xxxxxxxx
Timer A Time Constant 6 Register	TAT6R	0xAD	W	xxxxxxxx
Timer A Time Constant 7 Register	TAT7R	0xAF	W	xxxxxxxx

Table 6-1. Rabbit Internal I/O Registers (continued)

Register Name	Mnemonic	I/O Address	R/W	Reset
Timer B Control/Status Register	TBCSR	0xB0	R/W	xxxxx000
Timer B Control Register	TBCR	0xB1	W	xxxx0000
Timer B MSB 1 Register	TBM1R	0xB2	W	xxxxxxxx
Timer B LSB 1 Register	TBL1R	0xB3	W	xxxxxxxx
Timer B MSB 2 Register	TBM2R	0xB4	W	xxxxxxxx
Timer B LSB 2 Register	TBL2R	0xB5	W	xxxxxxxx
Timer B Count MSB Register	TBCMR	0xBE	R	xxxxxxxx
Timer B Count LSB Register	TBCLR	0xBF	R	xxxxxxxx
Watchdog Timer Control Register	WDTCR	0x8	W	00000000
Watchdog Timer Test Register	WDTTR	0x9	W	00000000



7. MISCELLANEOUS I/O FUNCTIONS

7.1 Processor Identification

Two read-only registers are provided to allow software to identify the Rabbit microprocessor and recognize the features and capabilities of the chip. Five bits in each of these registers are unique to each version of the chip. One register (GCPU) identifies the CPU, and the other register (GREV) is reserved for revision identification. The CPU identification (GCPU) of all revisions of the Rabbit 2000 microprocessor is the same. Rabbit 2000 revisions are differentiated by the value in the GREV register. Refer to Section B.2.2 for more information.

7.2 Rabbit Oscillators and Clocks

There are two crystal oscillators built into the Rabbit. The main oscillator accepts crystals up to a frequency of 29.4912 MHz (first overtone crystals only). The clock oscillator requires a 32.768 kHz crystal, which is powered by VBAT, and can be battery-backed.

An external oscillator or clock can be substituted for either crystal by connecting the external clock to XTALA1 or XTALB1 and leaving the other crystal pin (XTALA2 or XTALB2) unconnected. If an external oscillator is used for the main clock the output pin CLK (pin 1) should be used if the clock is needed externally. This signal is synchronized with the internal clock. In comparison, the internal clock is delayed by approximately 10 nanoseconds compared to the external oscillator input XTALB1.

The main oscillator is normally used to derive the clock for the processor and peripherals. The 32.768 kHz oscillator is normally used to clock the watchdog timer, the battery backable time/date clock, and the periodic interrupt. The main oscillator can be shut down in a special low-power mode of operation, and the 32.768 kHz oscillator is then used to clock all the things normally clocked by the main oscillator. This results in slower execution at low power ($\sim 200 \mu\text{A}$).

The on-chip routing of the clocks is shown in Figure 7-1. The main oscillator can be doubled in frequency and/or divided by 8. If both doubling and dividing are enabled, then there will be a net division by 4. The CPU clock can optionally be divided by 2 and then optionally drive the external pin CLK. In many cases the clock is not needed externally, and in that case CLK can be used as a general-purpose output pin. The divide-by-2 option is available to minimize electromagnetic radiation if the clock is driven off chip.

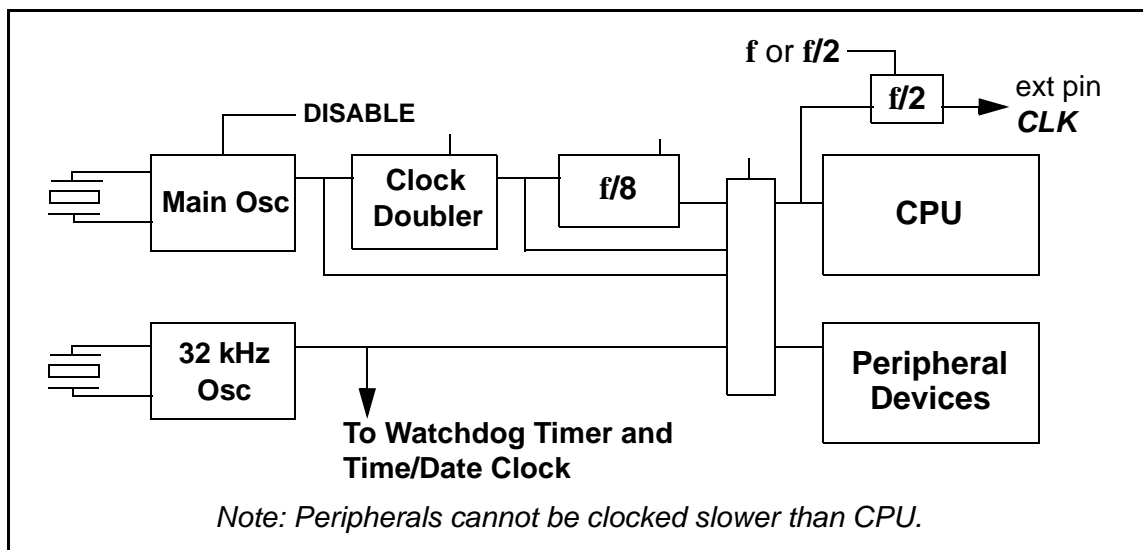


Figure 7-1. Clock Distribution

Table 7-1. Global Control/Status Register (I/O adr = 0x00)

Bit(s)	Value	Description
7:6 (read only)	00	No reset or watchdog timer timeout since the last read.
	01	The watchdog timer timed out. These bits are cleared by a read of this register.
	10	This bit combination is not possible.
	11	Reset occurred. These bits are cleared by a read of this register.
5 (write only)	0	Read this register to clear periodic interrupt request. This bit always read as zero.
	1	Force a periodic interrupt.
4:2 (write only)	000	Processor clock from the main oscillator, divided by eight. Peripheral clock from the main oscillator, divided by eight.
	001	Processor clock from the main oscillator, divided by eight. Peripheral clock from the main oscillator, without divider.
	01x	Processor clock from the main oscillator, without divider. Peripheral clock from the main oscillator, without divider.
	1x0	Processor clock from the 32 kHz oscillator, without divider. Peripheral clock from the 32 kHz oscillator, without divider.
	1x1	Processor clock from the 32 kHz oscillator, without divider. Peripheral clock from the 32 kHz oscillator, without divider. The main oscillator is turned off.
1:0 (write only)	00	Periodic interrupts are disabled.
	01	Periodic interrupts use Interrupt Priority 1.
	10	Periodic interrupts use Interrupt Priority 2.
	11	Periodic interrupts use Interrupt Priority 3.

7.3 Clock Doubler

The clock doubler is provided to allow a lower frequency crystal to be used for the main oscillator and to provide an added range of clock frequency adjustability. The clock doubler is controlled via the Global Clock Double Register as shown in Table 7-2.

Table 7-2. Global Clock Double Register (GCDR, adr = 0x0F)

Bit(s)	Value	Description
7:3	xxxxx	These bits are ignored.
2:0	000	The clock double circuit is disabled.
	001	8 ns nominal low time.
	010	10 ns nominal low time.
	011	12 ns nominal low time.
	100	14 ns nominal low time.
	101	16 ns nominal low time.
	110	18 ns nominal low time.
	111	20 ns nominal low time.

Table 7-3 lists the recommended values or “settings” for the Global Clock Double Register for various oscillator frequencies.

Table 7-3. Recommended Delays Set In GCDR for Clock Doubler

Recommended GCDR Value	Frequency Range
7	≤11.0592 MHz
6	11.0592–12.9024 MHz
5	12.9024–14.7576 MHz
4	14.7576–16.5888 MHz
3	16.5888–20.2752 MHz
2	20.2752–23.9616 MHz
1	23.9616–31.3344 MHz
0	>31.3344 MHz

When the clock doubler is used and there is no subsequent division of the clock, the output clock will be asymmetric, as shown in Figure 7-2.

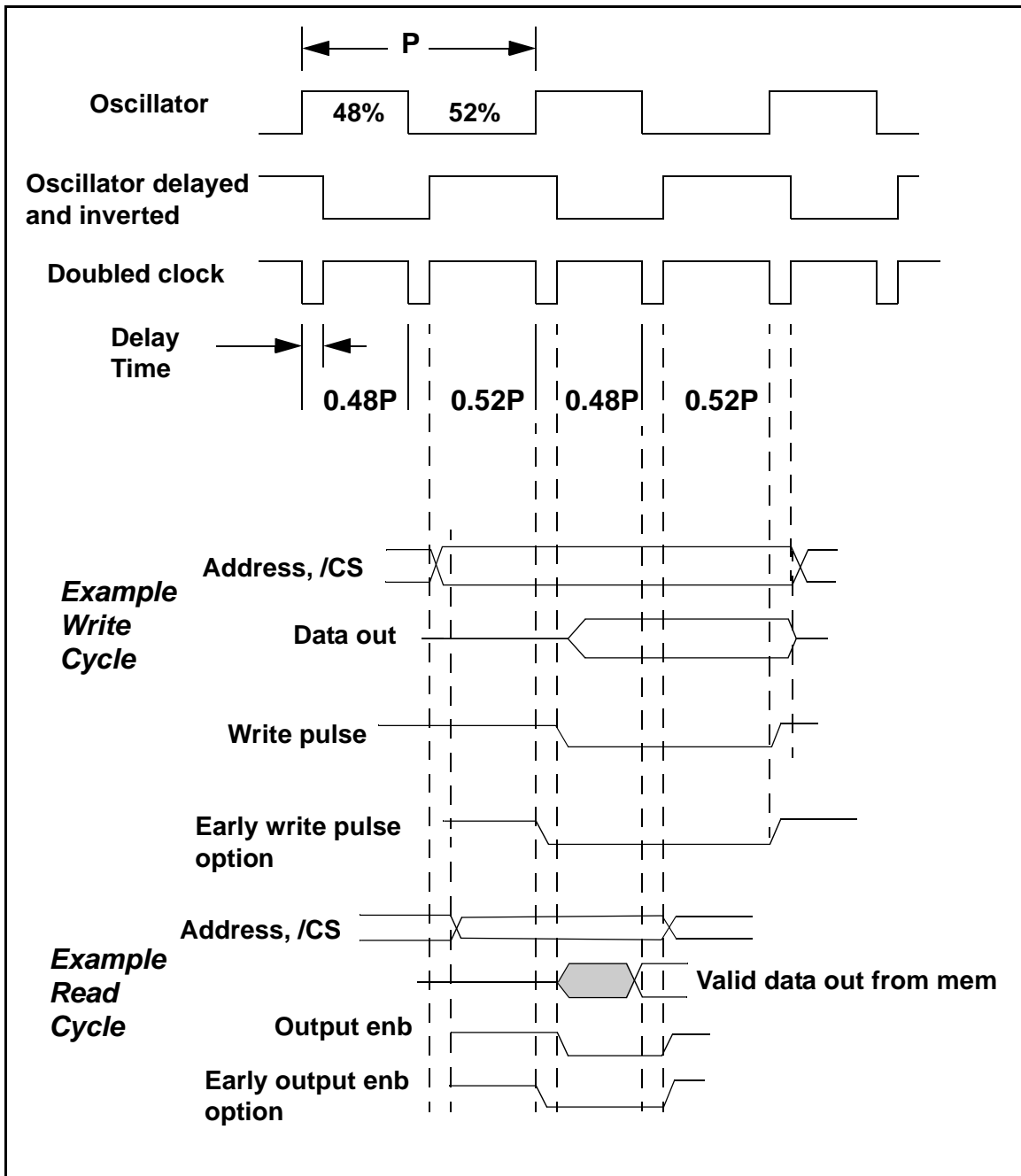


Figure 7-2. Effect of Clock Doubler

The doubled clock-low time is subject to wide (50%) variation since it depends on process parameters, temperature, and voltage. The times given above are for a supply voltage of 5 V and a temperature of 25°C. The doubled clock-low time increases by 20% when the voltage is reduced to 4 V, and increases by about 40% when the voltage is reduced further to 3.3 V. The values increase or decrease by 1% for each 5°C increase or decrease in temperature.

The doubled clock is created by xor'ing the delayed and inverted clock with itself. If the original clock does not have a 50-50 duty cycle, then alternate clocks will have a slightly different length. Since the duty cycle of the built-in oscillator can be as asymmetric as 52-48, the clock generated by the clock doubler will exhibit up to a 4% variation in period on alternate clocks. This does not affect the no-wait states memory access time since two adjacent clocks are always used. However, the maximum allowed clock speed must be reduced by 10% if the clock is supplied via the clock doubler. The only signals clocked on the falling edge of the clock are the memory and I/O write pulses, and these have noncritical timing. Thus the length of the clock low time is noncritical as long as it is not so long as to shorten the clock high time excessively, which could make the write pulse too short for the memory used. This is unlikely to happen with practical clock speeds and typical static RAM memories.

The power consumption is proportional to the clock frequency, and for this reason power can be reduced by slowing the clock when less computing activity is taking place. The clock doubler provides a convenient method of temporarily speeding up or slowing down the clock as part of a power management scheme.

7.4 Controlling Power Consumption

The processor power consumption can be traded against speed by slowing the system clock, adding wait states, using low-power-consumption instructions, and for maximum power savings disabling the main system oscillator and using the real-time clock oscillator to provide the clock. The following power saving features can be enabled.

- Add memory wait states for instruction fetching. Total wait states are programmable as 0, 1, 2 or 4. Generally two wait states should use half the power of zero wait states.
- If the clock doubler is not already in use, divide both the processor and the peripheral clock by 4. This is permissible if nothing, particularly timers and serial ports, depends on the peripheral clock.
- If the clock doubler is in use, turn it off, dividing both processor and peripheral by 2.
- Divide the processor and/or peripheral clock by 8.
- Run code in RAM rather than flash memory.
- Switch the processor and peripheral clock to the 32.768 kHz oscillator and, if desired, disable the main oscillator.
- Execute a low-power instruction loop consisting mostly of instructions that don't use much power. The best choice is successive *mul* instructions that multiply 0 x 0. No intervening instructions are needed to load the terms to be multiplied after the first *mul* since all registers involved stay at zero.

It is anticipated that these measures would reduce current consumption to as low as 25 μ A plus some leakage that would be significant at high operating temperatures.

7.5 Output Pins CLK, STATUS, /WDTOUT, /BUFEN

Certain output pins can have alternate assignments as specified in Table 7-4.

Table 7-4. Global Output Control Register (GOCR = 0x0E)

Bit(s)	Value	Description
7:6	00	CLK pin is driven with peripheral clock.
	01	CLK pin is driven with peripheral clock divided by 2.
	10	CLK pin is low.
	11	CLK pin is high.
5:4	00	STATUS pin is active (low) during a first opcode byte fetch.
	01	STATUS pin is active (low) during an interrupt acknowledge.
	10	STATUS pin is low.
	11	STATUS pin is high.
3	1	WDTOUTB pin is low (1 cycle minimum, 2 cycles maximum, of 32 kHz).
	0	WDTOUTB pin follows watchdog function.
2	x	This bit is ignored.
1:0	00	/BUFEN pin is active (low) during external I/O cycles.
	01	/BUFEN pin is active (low) during data memory accesses.
	10	/BUFEN pin is low.
	11	/BUFEN pin is high.

7.6 Time/Date Clock (Real-Time Clock)

The time/date clock (RTC) is a 48-bit (ripple) counter that is driven by the 32.768 kHz oscillator. The RTC is a modified ripple counter composed of six separate 8-bit counters. The carries are fed into all six 8-bit counters at the same time and then ripple for 8 bits. The time for this ripple to take place is a few nanoseconds per bit, and certainly should not exceed 200 ns for all 8 bits, even when operating at low voltage.

The 48 bits are enough bits to count up 272 years at the 32 kHz clock frequency. By convention, 12 AM on January 1, 1980, is taken as time zero. Rabbit Semiconductor software ignores the highest order bit, giving the counter a capacity of 136 years from January 1, 1980. To read the counter value, the value is first transferred to a 6-byte holding register. Then the individual bytes may be read from the holding registers. To perform the transfer, any data bits are written to RTC0R, the first holding register. The counter may then be read as six 8-bit bytes at RTC0R through RTC5R. The counter and the 32 kHz oscillator are powered from a separate power pin that can be provided with power while the remainder of the chip is powered down. This design makes battery backup possible. Since the processor operates on a different clock than the RTC, there is the possibility of performing a transfer to the holding registers while a carry is taking place, resulting in incorrect information. In order to prevent this, the processor should do the clock read twice and make sure that the value is the same in both reads.

If the processor is itself operating at 32 kHz, the read-clock procedure must be modified since a number of clock counts would take place in the time needed by the slow-clocked processor to read the clock. An appropriate modification would be to ignore the lower bytes and only read the upper 5 bytes, which are counted once every 256 clocks or every 1/128th of a second. If the read cannot be performed in this time, further low-order bits can be ignored.

The RTC registers cannot be set by a write operation, but they can be cleared and counted individually, or by subset. In this manner, any register or the entire 48-bit counter can be set to any value with no more than 256 steps. If the 32 kHz crystal is not installed and the input pin is grounded, no counting will take place and the six registers can be used as a small battery-backed memory. Normally this would not be very productive since the circuitry needed to provide the power switchover could also be used to battery-back a regular low-power static RAM.

Table 7-5. Real-Time Clock Read Registers

Real-Time Clock x Holding Register	(RTC0R) R/W	(Address = 00000010)
	(RTC1R)	(Address = 00000011)
	(RTC2R)	(Address = 00000100)
	(RTC3R)	(Address = 00000101)
	(RTC4R)	(Address = 00000110)
	(RTC5R)	(Address = 00000111)

Table 7-6. Real-Time Clock RTCxR Data Registers

Bit(s)	Value	Description
7:0	Read	The current value of the 48-bit RTC holding register is returned.
	Write	Writing to the RTCOR transfers the current count of the RTC to six holding registers while the RTC continues counting.

Table 7-7. Real-Time Clock Control Register (RTCCR adr = 0x01)

Bit(s)	Value	Description
7:0	0x00	No effect on the RTC counter, disable the byte increment function, or cancel the RTC reset command (except code 0x80)
	0x40	Arm RTC for a reset with code 0x80 or reset and byte increment function with code 0x0C0.
	0x80	Resets all six bytes of the RTC counter to 0x00 if preceeded by arm command 0x40.
	0xC0	Resets all six bytes of the RTC counter to 0x00 and enters byte increment mode—precede this command with 0x40 arm command.
7:6	01	This bit combination must be used with every byte increment write to increment clock(s) register corresponding to bit(s) set to "1". Example: 01001101 increments registers: 0, 2,3. The byte increment mode must be enabled. Storing 0x00 cancels the byte increment mode.
5:0	0	No effect on the RTC counter.
	1	Increment the corresponding byte of the RTC counter.

7.7 Watchdog Timer

The watchdog timer is a 17-bit counter. In normal operation it is driven by the 32.768 kHz clock. When the watchdog timer reaches any of several values corresponding to a delay of from 0.25 to 2 seconds, it “times out.” When it times out, it emits a 1-clock pulse from the watchdog output pin and it resets the processor via an internal circuit. To prevent this timeout, the program must “hit” the watchdog timer before it times out. The hit is accomplished by storing a code in WDTCR. Note that although a watchdog timeout resets the processor, it does not reset the timeout period stored in the WDTCR. This was done intentionally because an application may require the initialization of the processor resulting from the watchdog timeout to be based on a specific timeout period that is different from that of the reset initialization.

Table 7-8. Watchdog Timer Control Register (WDTCR adr = 0x08)

Bit(s)	Value	Description
7:0	0x5A	Restart (hit) the watchdog timer, with a 2-second timeout period.
	0x57	Restart (hit) the watchdog timer, with a 1-second timeout period.
	0x59	Restart (hit) the watchdog timer, with a 500 ms timeout period.
	0x53	Restart (hit) the watchdog timer, with a 250 ms timeout period.
	other	No effect on watchdog timer.

The watchdog timer may be disabled by storing a special code in the WDTTR register. Normally this should not be done unless an external watchdog device is used. The purpose of the watchdog is to unhang the processor from an endless loop caused by a software crash or a hardware upset.

It is important to use extreme care in writing software to hit the watchdog timer (or to turn off the watchdog timer). The programmer should not sprinkle instructions to hit the watchdog timer throughout his program because such instructions can become part of an endless loop if the program crashes and thus disable the recovery ability given by having a watchdog.

The following is a suggested method for hitting the watchdog. An array of bytes is set up in RAM. Each of these bytes is a virtual watchdog. To hit a virtual watchdog, a number is stored in a byte. Every virtual watchdog is counted down by an interrupt routine driven by a periodic interrupt. This can happen every 10 ms. If none of the virtual watchdogs has counted down to zero, the interrupt routine hits the hardware watchdog. If any have counted down to zero, the interrupt routine disables interrupts, and then enters an endless loop waiting for the reset. Hits of the virtual watchdogs are placed in the user’s program at “must exercise” locations.

Table 7-9. Watchdog Timer Test Register (WDTTR adr = 0x09)

Bit(s)	Value	Description
7:0	0x51	Clock the least significant byte of the WDT timer from the peripheral clock. (Intended for chip test and code 0x54 below only.)
	0x52	Clock the most significant byte of the WDT timer from the peripheral clock. (Intended for chip test and code 0x54 below only.)
	0x53	Clock both bytes of the WDT timer, in parallel, from the peripheral clock. (Intended for chip test and code 0x54 below only.)
	0x54	Disable the WDT timer. This value, by itself, does not disable the WDT timer. Only a sequence of two writes, where the first write is 0x51, 0x52 or 0x53, followed by a write of 0x54, actually disables the WDT timer. The WDT timer will be re-enabled by any other write to this register.
	other	Normal clocking (32 kHz oscillator) for the WDT timer. This is the condition after reset.

The code to do this may also hit the watchdog with a 0.25-second period to speed up the reset. Such watchdog code must be written so that it is highly unlikely that a crash will incorporate the code and continue to hit the watchdog in an endless loop. The following suggestions will help.

1. Place a jump to self before the entry point of the watchdog hitting routines. This prevents entry other than by a direct call or jump to the routine.
2. Before calling the routine, set a data byte to a special value and then check it in the routine to make sure the call came from the right caller. If not, go into an endless loop with interrupts disabled.
3. Maintain data corruption flags and/or checksums. If these go wrong, go into an endless loop with interrupts off.

7.8 System Reset

The Rabbit has a master reset input ($\overline{\text{RESET}}$), which initializes everything in the device except for the RTC. This reset is delayed until the completion of any write cycles in progress to prevent any potential corruption of memory. If no write cycles are in progress, the reset takes effect immediately.

The purpose of inhibiting the completion of reset until write cycles in progress are completed is to protect variables in battery-backed memory from corruption when a reset takes place. However, if the power controller responsible for battery switchover blocks the chip select signal to the RAM, the writes in progress will be aborted in any case. This is not necessarily serious as software schemes can be used to protect critical variables in battery-backed memory.

The reset sequence requires a minimum of 128 cycles of the fast oscillator to complete, even if no write cycles were in progress at the start of the reset. Reset forces both the processor clock and the peripheral clock in the divide-by-eight mode. Note that if the processor is being clocked from the 32 kHz oscillator, the 128 cycles of the fast oscillator will probably not be sufficient to allow any writes in progress to be completed before the reset sequence completes and the clocks switch to divide-by-eight mode.

During reset, all of the memory control signals are held inactive. After the $\overline{\text{RESET}}$ signal is inactive (high), the processor begins fetching instructions and the memory control signals begin normal operation. Note that the default values in the Memory Bank Control registers select four wait states per access, so the initial program fetch memory reads are 48 clock cycles long ($8 \times (2 + 4)$). Software can immediately adjust the processor timing to whatever the system requires.

The default selection for the memory control signals consists of $\overline{\text{CS0}}$, $\overline{\text{OE0}}$ and $\overline{\text{WE0}}$, and writes are enabled. This selection can also be immediately programmed to match the hardware configuration. A typical sequence would be to speed up the clock to full speed, then select the appropriate number of wait states and the chip select signals, output enable signals and write enable signals. At this point software would usually check the system status to determine what type of reset just occurred and begin normal operation.

Table 7-10 describes the state of the I/O pins after an external reset is recognized by the Rabbit CPU. Note that the $\overline{\text{RESET}}$ signal must be held low for three clocks for the processor to begin the reset sequence. There is no facility to tri-state output lines such as the address lines and the memory and I/O control lines.

Table 7-10. Rabbit 2000 Reset Sequence and State of I/O Pins

Pin Name	Direction	/RESET Low* Recognized by CPU	Post-Reset†
/RESET	Input	Low or High	High
CLK	Output	High	Operational
XTALA1	Input	Not Affected	Not Affected
XTALA2	Output	Not Affected	Not Affected
XTALB1	Input	Not Affected	Not Affected
XTALB2	Output	Not Affected	Not Affected
A[19:0]	Output	Last Value	0x00000
D[7:0]	Bidirectional	High Z	High Z
/WDTOUT	Output	High	High
STATUS	Output	High	Operational (as /IFTCH1)
SMODE[1:0]	Input	Not Affected	Not Affected
/CS0	Output	High	Operational
/CS1	Output	High	High
/CS2	Output	High	High
/OE0	Output	High	Operational
/OE1	Output	High	High
/WE0	Output	High	High
/WE1	Output	High	High
/BUFEN	Output	High	High
/IORD	Output	High	High
/IOWR	Output	High	High
PA[7:0]	Input/Output	zzzzzzzz	zzzzzzzz
PB[7:0]	Input/Output	00zzzzzz	00zzzzzz
PC[7:0]	4 In/4 Out	z0z1z1z1	z0z0z0z0
PD[7:0]	Input/Output	zzzzzzzz	zzzzzzzz
PE[7:0]	Input/Output	zzzzzzzz	zzzzzzzz

* A low is recognized internally by the processor after a reset

† The default state of the I/O ports after the completion of the reset and initialization sequences

7.9 Rabbit Interrupt Structure

An interrupt causes a call to be executed, pushing the PC on the stack and starting to execute code at the interrupt vector address. The interrupt vector addresses have a fixed lower byte value for all interrupts. The upper byte is adjustable by setting the registers EIR and IIR for external and internal interrupts respectively. There are only two external interrupts generated by transitions on certain pins in parallel port E.

The interrupt vectors are shown in Table 7-11.

Table 7-11. Peripheral Device Address and Interrupt Vectors

On-Chip Peripheral	ISR Starting Address
System Management (periodic interrupt)	{IIR, 0x00}
Memory Management	No interrupts
Slave Port	{IIR, 0x80}
Parallel Port A	No interrupts
Parallel Port B	No interrupts
Parallel Port C	No interrupts
Parallel Port D	No interrupts
Parallel Port E	No interrupts
External I/O Control	No interrupts
External Interrupts	INT0 {EIR, 0x00} INT1 {EIR, 0x10}
Timer A	{IIR, 0xA0}
Timer B	{IIR, 0xB0}
Serial Port A	{IIR, 0xC0}
Serial Port B	{IIR, 0xD0}
Serial Port C	{IIR, 0xE0}
Serial Port D	{IIR, 0xF0}
RST 10 instruction	{IIR, 0x20}
RST 18 instruction	{IIR, 0x30}
RST 20 instruction	{IIR, 0x40}
RST 28 instruction	{IIR, 0x50}
RST 38 instruction	{IIR, 0x70}

The interrupts differ from most Z80 or Z180 interrupts in that the 256-byte tables pointed to EIR and IIR contain the actual instructions beginning the interrupt routines rather than a 16-bit pointer to the routine. The interrupt vectors are spaced 16 bytes apart so that the entire code will fit in the table for very small interrupt routines.

Interrupts have priority 1, 2 or 3. The processor operates at priority 0, 1, 2 or 3. If an interrupt is being requested, and its priority is higher than the priority of the processor, the interrupt will take place after then next instruction. The interrupt automatically raises the processor's priority to its own priority. The old processor priority is pushed into the 4-position stack of priorities contained in the IP register. Multiple devices can be requesting interrupts at the same time. In each case there is a latch set in the device that requests the interrupt. If that latch is cleared before the interrupt is latched by the central interrupt logic, then the interrupt request is lost and no interrupt takes place. This is shown in Table 7-12. The priorities shown in this table apply only for interrupts of the same priority level and are only meaningful if two interrupts are requested at the same time. Most of the devices can be programmed to interrupt at priority level 1, 2 or 3.

Table 7-12. Interrupts—Priority and Action to Clear Requests

Priority	Interrupt Source	Action Required to Clear the Interrupt
Highest	External 1	Automatically by interrupt acknowledge.
	External 0	Automatically by interrupt acknowledge.
	Periodic (2 kHz)	Read GCSR.
	Timer B	Read TBCSR*.
	Timer A	Read TACSR.
	Slave Port	Write SPSR.
	Serial Port A	Rx: Read SADR or SAAR. Tx: Write SADR, SAAR or SASR
	Serial Port B	Rx: Read SBDR or SBAR. Tx: Write SBDR, SBAR or SBSR
	Serial Port C	Rx: Read SCDR or SCAR. Tx: Write SCDR, SCAR or SCSR
Lowest	Serial Port D	Rx: Read SDDR or SDAR. Tx: Write SDDR, SDAR or SDSR

* If the compare registers (TBMxR and TBLxR) are not written within the ISR, the interrupt will only be requested once.

In the case of the external interrupts the only action that will clear the interrupt request is for the interrupt to take place, which automatically clears the request. A special action must be taken in the interrupt service routine for the other interrupts.

7.9.1 External Interrupts

There are two external interrupts. Because of a problem in the original Rabbit design, only one of these interrupts is available for general use. The problem was corrected in revisions A–C of the Rabbit 2000. (Refer to Appendix B for further information to determine which version of the Rabbit 2000 chip you are using.) If you are working with an original Rabbit 2000 chip, see Technical Note 301, *Rabbit 2000 Microprocessor Interrupt Problem*.

External interrupts take place on a transition of the input. The pulse catchers are programmable separately to detect a rising, a falling, or both edges. The pairs of pulse catchers that are connected to the same interrupt should be programmed for the same type of edge detection. Each of the interrupt pins has its own catcher device to catch the edge transition and request the interrupt. The pulse needs to be present for a least three peripheral clocks to be detected.

When the interrupt takes place, both pulse catchers associated with that interrupt are automatically reset. If both edges are detected before the corresponding interrupt takes place, because the triggering edges occur nearly simultaneously or because the interrupts are inhibited by the processor priority, then there will be only one interrupt for the two edges detected. The interrupt service routine can read the interrupt pins via parallel port E and determine which lines experienced a transition, provided that the transitions are not too fast. Interrupts can also be generated by setting up the matching port E bit as an output and toggling the bit.

Table 7-13. Control Registers for External Interrupts

Reg Name	Reg Address	Bits 7,6	Bits 5,4	Bits 3,2	Bits 1,0
I0CR	10011000	xx	INT0B PE4	INT0A PE0	Enb INT0
I1CR	10011001	xx	INT1B PE5	INT1A PE1	Enb INT1
			edge triggered 00-disabled 10-rising 01-falling 11-both	edge triggered 00-disabled 10-rising 01-falling 11-both	interrupt 00-disable 01-pri 1 10-pri 2 11-pri 3

7.9.2 Interrupt Vectors: INT0 - EIR,0x00/INT1 - EIR,0x08

When it is desired to expand the number of interrupts for additional peripheral devices, the user should use the interrupt routine to dispatch interrupts to other virtual interrupt routines. Each additional interrupting device will have to signal the processor that it is requesting an interrupt. A separate signal line is needed for each device so that the processor can determine which devices are requesting an interrupt.

The following code shows how the interrupt service routines can be written.

```
; External interrupt Routine #1
int1:
    IPRES    ; restore system priority
    RET      ; return and ignore interrupt
;
; External interrupt Routine #0 (programmed priority could be 3)
int2:
    PUSH IP  ; save interrupt priority
    IPSET 1  ; set to priority really desired (1, 2, etc.)
; insert body of interrupt routine here
;
    POP IP   ; get back entry priority
    IPRES    ; restore interrupted routine's priority
    RET      ; return from interrupt
```

7.10 Bootstrap Operation

The device provides the option of bootstrap from any of three sources: from the Slave Port, from Serial Port A in clocked serial mode, or from Serial Port A in asynchronous mode. This is controlled by the state of the SMODE pins after reset. Bootstrap operation is disabled if $(SMODE1, SMODE0) = (0, 0)$.

Bootstrap operation inhibits the normal fetch of code from memory, and instead substitutes the output of a small internal boot ROM for program fetches. This bootstrap program reads groups of three bytes from the selected peripheral device. The first byte is the most significant byte of a 16-bit address, followed by the least-significant byte of a 16-bit address, followed by a byte of data. The bootstrap program then writes the byte of data to the downloaded address and jumps back to the start of the bootstrap program. The most significant bit of the address is used to determine the destination for the byte of data. If this bit is zero, the byte is written to the memory location addressed by the downloaded address. If this bit is one, the byte is written to the internal peripheral addressed by the downloaded address. Note that all of the memory control signals continue to operate normally during bootstrap.

Execution of the bootstrap program automatically waits for data to become available from the selected peripheral, and each byte transferred automatically resets the watchdog timer. However, the watchdog timer still operates, and bytes must be transferred often enough to prevent the watchdog timer from timing out.

Bootstrap operation is terminated when the SMODE pins are set to zero. The SMODE pins are sampled just prior to fetching the first instruction of the bootstrap program. If the SMODE pins are zero, instructions are fetched from normal memory starting at address 0x0000. The Slave Port Control register allows the bootstrap operation to be terminated remotely. Writing a one to bit 7 of this register causes the bootstrap operation to terminate immediately. So the sequence 0x80, 0x24, and 0x80 will terminate bootstrap operation.

Bootstrap operation is not restricted to the time immediately after reset because the boot ROM is addressed by only the four least significant bits of the address. So any time that the address ends in four zeros, if the SMODE pins are non-zero and bit 7 of the SPCR is zero, the bootstrap program will begin execution. This allows in-line downloading from the selected bootstrap port. Upon completion of the bootstrap operation, either by returning the SMODE pins to zero or setting the bit in the SPCR, execution will continue from where it was interrupted for the bootstrap operation.

The Slave Port is selected for bootstrap operation when $(SMODE1, SMODE0) = (0, 1)$. In this case the pins of Parallel Port A are used for a byte-wide data bus, and selected pins of Parallel Ports B and E are used for the Slave Port control signals. Only Slave Port Data Register 0 is used for bootstrap operation, and any writes to the other data registers will be ignored by the processor, and can actually interfere with the bootstrap operation by masking the Write Empty signal.

Serial Port A is selected for bootstrap operation as a clocked serial port when SMODE = 10. In this case bit 7 of Parallel Port C is used for the serial data and bit 1 of Parallel Port B is used for the serial clock. Note that the serial clock must be externally supplied for bootstrap operation. This precludes the use of a serial EEPROM for bootstrap operation.

Serial Port A is selected for bootstrap operation as an asynchronous serial port when SMODE = 11. In this case bit 7 of Parallel Port C is used for the serial data and the 32 kHz oscillator is used to provide the serial clock. A dedicated divide circuit allows the use of the 32 kHz signal to provide the timing reference for the 2400 bps asynchronous transfer. Only 2400 bps is supported for bootstrap operation, and the serial data must be eight bits for proper operation.

When the first phase of a bootstrap is performed using Serial Port A, the TXA signal is not needed since the bootstrap is a one-way communication. After the reset ends and the bootstrap mode begins, TXA will be low, reflecting its function as a parallel port output bit that is cleared by the reset. This may be interpreted as a break signal by some serial communication devices. TXA can be forced high by sending the triplet 0x80, 0x50, 0x40, which stores 0x40 in parallel port C. An alternate approach is to send the triplet 0x80, 0x55, 0x40, which will enable the TXA output from bit 6 of parallel port C by writing to the parallel port C function register (0x55).

NOTE: Although the TXA signal is not needed during the first phase of the boot procedure, sending the “byte triplets,” two-way communication is required once the cold loader has been loaded.

The transfer rate in any bootstrap operation must not be too fast for the processor to execute the instruction stream. The Write Empty signal acts as an interlock when using the Slave Port for bootstrap operation, because the next byte should not be written to the Slave Port until the Write Empty signal is active. No such interlock exists for the clocked serial and asynchronous bootstrap operation. In these cases, remember that the processor clock starts out in divide-by-eight mode with four wait states, and limit the transfer rate accordingly. In asynchronous mode at 2400 bps it takes about 4 ms to send each character, so no problem is likely unless the system clock is extremely slow.

8. MEMORY MAPPING AND INTERFACE

See Section 3.2, “Memory Mapping” for a discussion of the Rabbit memory mapping.

Figure 8-1 shows an overview of the Rabbit memory mapping. The task of the memory mapping unit is to accept 16-bit addresses and translate them to 20-bit addresses. The memory interface unit accepts the 20-bit addresses and generates control signals applied directly to the memory chips.

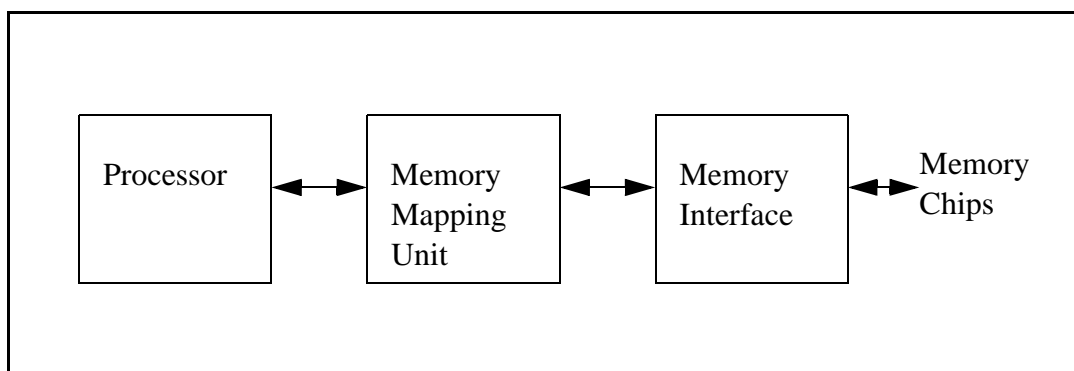


Figure 8-1. Overview of Rabbit Memory Mapping

8.1 Memory-Mapping Unit

The 64K 16-bit address space accessed by processor instructions is divided into segments. Each segment has a length that is a multiple of 4K. Except for the extended code segment, the segments have adjustable sizes and some segments can be reduced to zero size and thus vanish from the memory map.

The four segments are shown in the example in Figure 8-2. The segment size register (SEGSIZE) determines the boundaries marked in the diagram. The extended code segment always occupies the addresses 0x0E000–0x0FFFF. The stack segment stretches from the address specified by the upper 4 bits of the SEGSIZE register to 0x0DFFF. For example, if the upper 4 bits of SEGSIZE are 0x0D, then the stack segment will occupy 0x0D000–0x0DFFF, or 4K. If the upper 4 bits of SEGSIZE are greater than or equal to 0x0E, the stack segment vanishes. If these bits are set to zero, the two segments below the stack segment will vanish.

The lower 4 bits of SEGSIZE determine the lower boundary shown in the figure. If this boundary is equal to the upper boundary or greater than 0x0E, the data segment will vanish. If this segment is placed at zero the code segment will vanish.

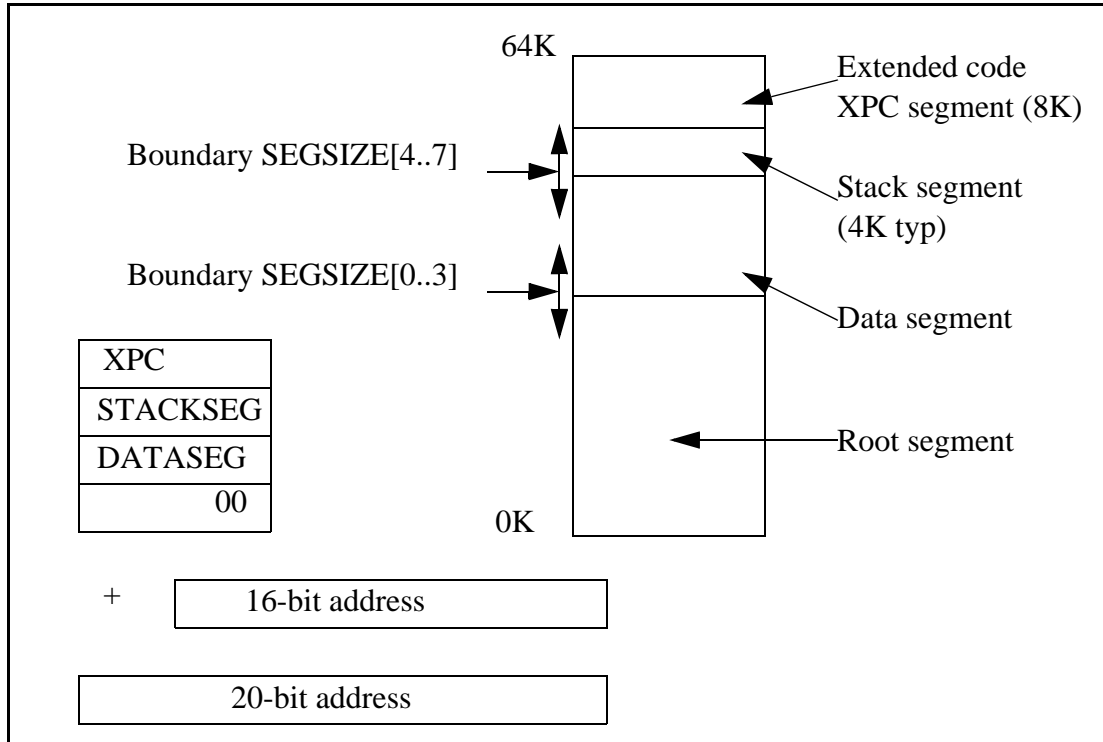


Figure 8-2. Memory Segments

The memory management unit accepts a 16-bit address from the processor and translates it into a 20-bit address. The procedure to do this works as follows.

1. It is determined which segment the 16-bit address belongs to by inspecting the upper 4 bits of the address. Every address must belong to one of the possible 4 segments.
2. Each segment has an 8-bit segment register. The 8-bit segment register is added to the upper 4 bits of the 16-bit address to create a 20-bit address. Wraparound occurs if the addition would result in an address that does not fit in 20 bits.

Table 8-1. Segment Registers

Segment Register	Function
XPC	Locates extended code segment in physical memory. Read and written by processor instructions: ld a,xpc, ld xpc,a, lcall, lret, ljp
STACKSEG = 0x11	Locates stack segment in physical memory.
DATASEG = 0x12	Locates data segment in physical memory.

Table 8-2. Segment Size Register

	Bits 7..4	Bits 3..0
SEGSIZE = 0x13	Boundary address stack segment.	Boundary address data segment.

8.2 Memory Interface Unit

The 20-bit memory addresses generated by the memory-mapping unit feed into the memory interface unit. The memory interface unit has a separate write-only control register (see Table 8-3) for each 256K quadrant of the 1M physical memory. This control register specifies how memory access requests to that quadrant are to be dispatched to the memory chips connected to the Rabbit. There are three separate chip select output lines ($/CS0$, $/CS1$, and $/CS2$) that can be used to select one of three different memory chips. A field in the control register determines which chip select is selected for memory accesses to the quadrant. The same chip select line may be accessed in more than one quadrant. For example, if a 512K RAM is installed and is selected by $/CS1$, it would be appropriate to use $/CS1$ for accesses to the 3rd and 4th quadrants, thus mapping the RAM chip to addresses 0x80000 to 0x0FFFFFF.

8.3 Memory Control Unit Registers

The Memory Bank Control Registers manage the physical memory space for the Rabbit 2000. There are four memory banks, where each bank is selected by the two most significant bits of the 20-bit physical memory address. Each memory bank can be programmed to have zero, one, two, or four wait states added automatically, and writes can be disabled or enabled for each bank. The Rabbit 2000 chip has three memory chip selects, two memory output enables, and two memory write enables. Any of these signals can be selected for any memory bank. The final option available for each memory bank is to invert either or both of the two most significant address bits while accessing a memory bank. This allows each bank to contain four 256K byte pages, only one of which is available at a time.

In revisions A–C of the Rabbit 2000 chip, the reset state of the MB0CR register is set to inhibit /WE0. See Section B.2.6 for more information.

8.3.1 Memory Bank Control Registers

Table 8-3 describes the operation of the four memory bank control registers. The registers are write-only. Each register controls one quadrant in the 1M address space.

Table 8-3. Memory Bank Control Register x ($MBxCR = 0x14+x$)

Bits 7,6	Bit 5	Bit 4	Bit 3	Bit 2	Bits 1,0
00—4 wait states 01—2 wait states 10—1 wait states 11—0 wait states	1—Invert address A19	1—Invert address A18	1—Write- protect memory this quadrant	0—use /OE0, /WE0 1—use /OE1, /WE1	00—use /CS0 01—use /CS1 1x—use /CS2

- Bits 7,6—The number of wait states used in access to this quadrant. Without wait states, read requires 2 clocks and write requires 3 clocks. The wait state adds to these numbers. Wait states should only be used for memory data accesses (RAM or data flash), not for memory from which instructions are executed (code memory).
- Bits 5, 4—These bits allow the upper address lines to be inverted. This inversion occurs after the logic that selects the bank register, so setting these lines has no effect on which bank register is used. The inversion may be used to install a 1M memory chip in the space normally allocated to a 256K chip. The larger memory can then be accessed as 4 pages of 256K each. There is no effect outside the quadrant that the memory bank control register is controlling.
- Bit 3—Inhibits the write pulse to memory accessed in this quadrant. Useful for protecting flash memory from an inadvertent write pulse, which will not actually write to the flash because it is protected by lock codes, but will temporarily disable the flash memory and crash the system if the memory is used for code.
- Bit 2—Selects which set of the two lines /OEx and /WEx will be driven for memory accesses in this quadrant.
- Bits 1,0—Determines which of the three chip select lines will be driven for memory accesses to this quadrant.
- All bits of the control register are initialized to zero on reset.

8.3.2 MMU Instruction/Data Register

8.3.2.1 Instruction and Data Space Support

Support for Instruction and Data space (I and D space) support was added in revisions A–C by optionally inverting address lines A16 and/or A19 when the processor accesses D space, but not inverting those lines when the processor accesses I space. The MMIDR register is used to control this inversion. Refer to Section B.2.5 for more information on using I and D space on the Rabbit 2000 chip. More information on separate I and D implementation will be available in the *Rabbit 2000 Designer's Handbook*, and is currently available in the *Rabbit 3000 Designers Handbook*.

8.3.2.2 /CS1 Enable

The optional enable of /CS1 is valuable for systems that are pushing the access time of battery-backed RAM. By enabling /CS1, the delay time of the switch that forces /CS1 high when power is off can be bypassed. This feature increases power consumption since the RAM is always enabled and its access is controlled normally by /OE1. This option is enabled by setting bit 4 in the MMIDR register. See Section B.2.5 for more information.

8.3.3 Memory Timing Control Register

8.3.3.1 Early Memory Output-Enable Feature

The early I/O enable feature was added to the Rabbit 2000C revision to relax the tight timing requirements for memory access when using the clock spectrum spreader. See Section B.2.13 for more information.

8.4 Allocation of Extended Code and Data

The Dynamic C compiler compiles code to root code space or to extended code space. Root code starts in low memory and compiles upward.

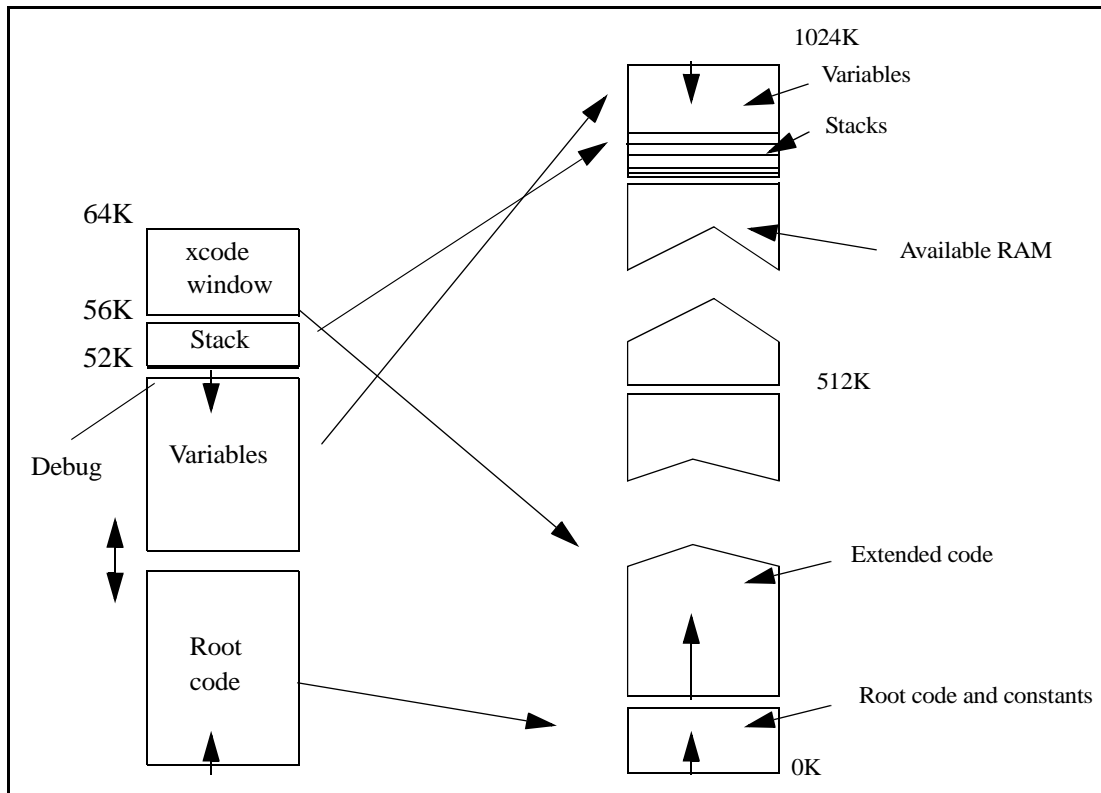


Figure 8-3. Example of Memory Mapping and Memory Usage

Allocation of extended code starts above the root code and data. Allocation normally continues to the end of the flash memory.

Data variables are allocated to RAM working backwards in memory. Allocation normally starts at 52K in the 64K D space and continues. The 52K space must be shared with the root code and data, and is allocated upward from zero.

Dynamic C also supports extended data constants. These are mixed in with the extended code in flash.

8.5 How Compiler Compiles to Memory

The compiler actually generates code for root code and constants and extended code and extended constants. It allocates space for data variables, but does not generate data bits to be stored in memory.

In any but the smallest programs, most of the code is compiled to extended memory. This code executes in the 8K window from E000 to FFFF. This 8K window uses paged access. Instructions that use 16-bit addressing can jump within the page and also outside of the page to the remainder of the 64K space. Special instructions, particularly long call, long jump and long return, are used to access code outside of the 8K window. When one of these transfer of control instructions is executed, both the address and the view through the 8K window or page are changed. This allows transfer to any instruction in the 1M memory space. The 8-bit XPC register controls which of the 256 4K pages the 8K window aligns with. The 16-bit PC controls the address of the instruction, usually in the region E000 to FFFF. The advantage of paged access is that most instructions continue to use 16-bit addressing. Only when an out-of-range transfer of control is made does a 20-bit transfer of control need to be made. The beauty of having a 4K minimum step in page alignment while the size of the page is 8K is that code can be compiled continuously without gaps caused by change of page. When the page is moved by 4K, the previous end of code is still visible in the window, provided that the midpoint of the page was crossed before moving the page alignment.

As the compiler compiles code in the extended code window, it checks at opportune times to see if the code has passed the midpoint of the window or F000. When the code passes F000, the compiler slides the window down by 4K so that the code at F000+x becomes resident at E000+x. This results in the code being divided into segments that are typically 4K long, but which can vary very short or as long as 8K. Transfer of control can be accomplished within each segment by 16-bit addressing; 20-bit addressing is required between segments.

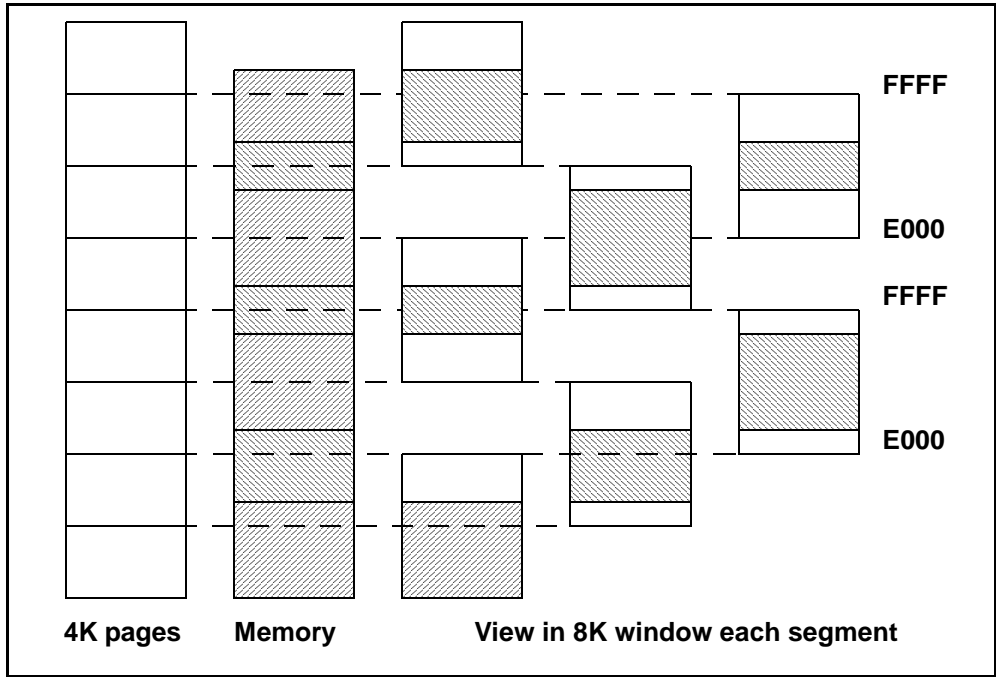


Figure 8-4. Compilation of Code Segments in Extended Memory



9. PARALLEL PORTS

The Rabbit has five 8-bit parallel ports designated A, B, C, D and E. The pins used for the parallel ports are also shared with numerous other functions as shown in Table 5-2. The important properties of the ports are summarized below.

- Port A—Shared with the slave port data interface.
- Port B—Shared with control lines for slave port and clock I/O for clocked serial mode option for serial ports A and B.
- Port C—Shared with serial port serial data I/O.
- Port D—4 bits shared with alternate I/O pins for serial ports A and B. 4 bits not shared. Port D has the ability to configure its outputs as open drain outputs. Port D has output preload registers that can be clocked into the output registers under timer control for pulse generation. Port D bits 0–3 have a higher current drive capability.
- Port E—All bits of Port E can be configured as I/O strobes. 4 bits of port E can be used as external interrupt inputs. One bit of port E is shared with the slave port chip select. Port E has output preload registers that can be clocked into the output registers under timer control for pulse generation.

9.1 Parallel Port A

Parallel Port A has a single read/write register.

Table 9-1. Parallel Port A Registers

Register Name	Mnemonic	I/O address	R/W	Reset
Port A Data Register	PADR	0x30	R/W	xxxxxxxx
Slave Port Control Register	SPCR	0x24	R/W	0xx00000

Table 9-2. Parallel Port A Data Register Bit Functions

	Bit 7	Bit 6	Bit 5	Bit 4	Bit 3	Bit 2	Bit 1	Bit 0
PADR (R/W) adr = 0x030	PA7	PA6	PA5	PA4	PA3	PA2	PA1	PA0

This register should not be used if the slave port is enabled.

The slave port control register is used to control whether Parallel Port A is an output or an input. To make the port an input, store 0x080 in the SPCR (slave port control register). To make the port an output, store 0x084 in SPCR. Parallel Port A is set up as an input port on reset.

When the port is read, the value read reflects the voltages on the pins, "1" for high and "0" for low. This could be different than the value stored in the output register if the pin is forced to a different state by an external voltage.

9.2 Parallel Port B

Parallel Port B, shown in Table 9-4, has six inputs and two outputs when used exclusively as a parallel port.

Table 9-3. Parallel Port B Registers

Register Name	Mnemonic	I/O address	R/W	Reset
Port B Data Register	PBDR	0x40	R/W	00xxxxxx

Table 9-4. Parallel Port B Data Register PBDR (adr = 0x040)

	Bit 7	Bit 6	Bit 5	Bit 4	Bit 3	Bit 2	Bit 1	Bit 0
Read	Echo drive	Echo drive	PB5 in	PB4 in	PB3 in	PB2 in	PB1 in	PB0 in
Write	PB7	PB6	x	x	x	x	x	x

When the slave port is enabled, parallel port lines PB2–PB7 are assigned to various slave port functions. However, it is still possible to read PB0–PB5 using the Port B data register even when lines PB2–PB7 are used for the slave port. It is also possible to read the signal driving PB6 and PB7 (this signal is on the signaling lines from the slave port logic).

Regardless of whether the slave port is enabled, PB0 reflects the input of the pin unless serial port B has its internal clock enabled, which causes this line to be driven by the serial port clock. PB1 reflects the input of the pin unless serial port A has its internal clock enabled.

On reset the output bits 6 and 7 are reset and the value output on pins PB6 and PB7 (package pins 99, 100) will also be low.

9.3 Parallel Port C

Parallel port C, shown in Table 9-6, has four inputs and four outputs. The even-numbered ports, PC0, PC2, PC4, and PC6, are outputs. The odd-numbered ports, PC1, PC3, PC5, and PC7, are inputs. When the data register is read, bits 1,3,5,7 return the value of the voltage on the pin. Bits 0,2,4,6 return the value of the signal driving the output buffers. The signal driving the output buffers and the value of the output pin are normally the same. Either the Port C data register is driving these pins or one of the serial port transmit lines is driving the pin. The bits set in the PCFR Parallel Port C Function Register identify whether the data register or the serial port transmit lines were driving the pins.

Table 9-5. Parallel Port C Registers

Register Name	Mnemonic	I/O address	R/W	Reset
Port C Data Register	PCDR	0x50	R/W	x0x0x0x0
Port C Function Register	PCFR	0x55	W	x0x0x0x0

Table 9-6. Parallel Port C Data Register and Function Register

	Bit 7	Bit 6	Bit 5	Bit 4	Bit 3	Bit 2	Bit 1	Bit 0
PCDR (r) adr = 0x050	PC7 in	Echo drive	PC5 in	Echo drive	PC3 in	Echo drive	PC1 in	Echo drive
PCDR (w) adr = 0x050	x	PC6	x	PC4	x	PC2	x	PC0
PCFR (w) adr = 0x055	x	Drive TXA	x	Drive TXB	x	Drive TXC	x	Drive TXD

Parallel port C shares its pins with the four serial ports. The parallel port input pins may also serve as serial port inputs. (Serial ports A and B can alternately use bits 7 and 5 respectively in Port D as inputs, and the source of the serial port inputs for these serial ports depends on the setup of the corresponding serial port control register.) When serving as serial inputs, the data lines can still be read from the parallel port C data register. The parallel port outputs can be selected to be serial port outputs by storing bits in the corresponding positions of the Port C Function register (PCFR). When a parallel port output pin is selected to be a serial port output, the value stored in the data register is ignored. On reset the active (even-numbered) function register bits and data register bits are zeroed. This causes the port to output zeros on the four output bits.

9.4 Parallel Port D

Parallel port D, shown in Figure 9-1, has eight pins that can be programmed individually to be inputs and outputs. When programmed as outputs, the pins can be individually selected to be open-drain outputs or standard outputs. Port D pins can be addressed by bit if desired. The output registers are cascaded and timer-controlled, making it possible to generate precise timing pulses. In addition, port D outputs have a higher drive capability. Port D bits 4 and 5 can be used as alternate bits for serial port B, and bits 6 and 7 can be used as alternate bits for serial port A. Alternate serial port bit assignments make it possible for the same serial port to connect to different communications lines that are not operating at the same time.

On reset, the data direction register is zeroed, making all pins inputs. In addition bits in the control register are zeroed (bits 0,1,4,5) to ensure that data is clocked into the output registers when loaded. All other registers associated with port D are not initialized on reset.

Table 9-7. Parallel Port D Registers

Register Name	Mnemonic	I/O address	R/W	Reset
Port D Data Register	PDDR	0x60	R/W	xxxxxxxx
Port D Drive Control Register	PDDCR	0x66	W	xxxxxxxx
Port D Data Direction Register	PDDDR	0x67	W	00000000
Port D Function Register	PDFR	0x65	W	xxxxxxxx
Port D Control Register	PDCR	0x64	W	xx00xx00
Port D Bit 0 Register	PDB0R	0x68	W	xxxxxxxx
Port D Bit 1 Register	PDB1R	0x69	W	xxxxxxxx
Port D Bit 2 Register	PDB2R	0x6A	W	xxxxxxxx
Port D Bit 3 Register	PDB3R	0x6B	W	xxxxxxxx
Port D Bit 4 Register	PDB4R	0x6C	W	xxxxxxxx
Port D Bit 5 Register	PDB5R	0x6D	W	xxxxxxxx
Port D Bit 6 Register	PDB6R	0x6E	W	xxxxxxxx
Port D Bit 7 Register	PDB7R	0x6F	W	xxxxxxxx

The following registers are described in Table 9-8 and in Table 9-9.

- PDDDR—Parallel port D data direction register. A "1" makes the corresponding pin an output. Write only.
- PDDCR—Parallel port D drive control register. A "1" makes the corresponding pin an open-drain output if that pin is set up for output. Write only.
- PDFR—Parallel port D function control register. This port may be used to make port positions 4 and 6 be serial port outputs. Write only.

- PDCR—Parallel port D control register. This register is used to control the clocking of the upper and lower nibble of the final output register of the port. On reset, bits 0, 1, 4, and 5 are reset to zero.

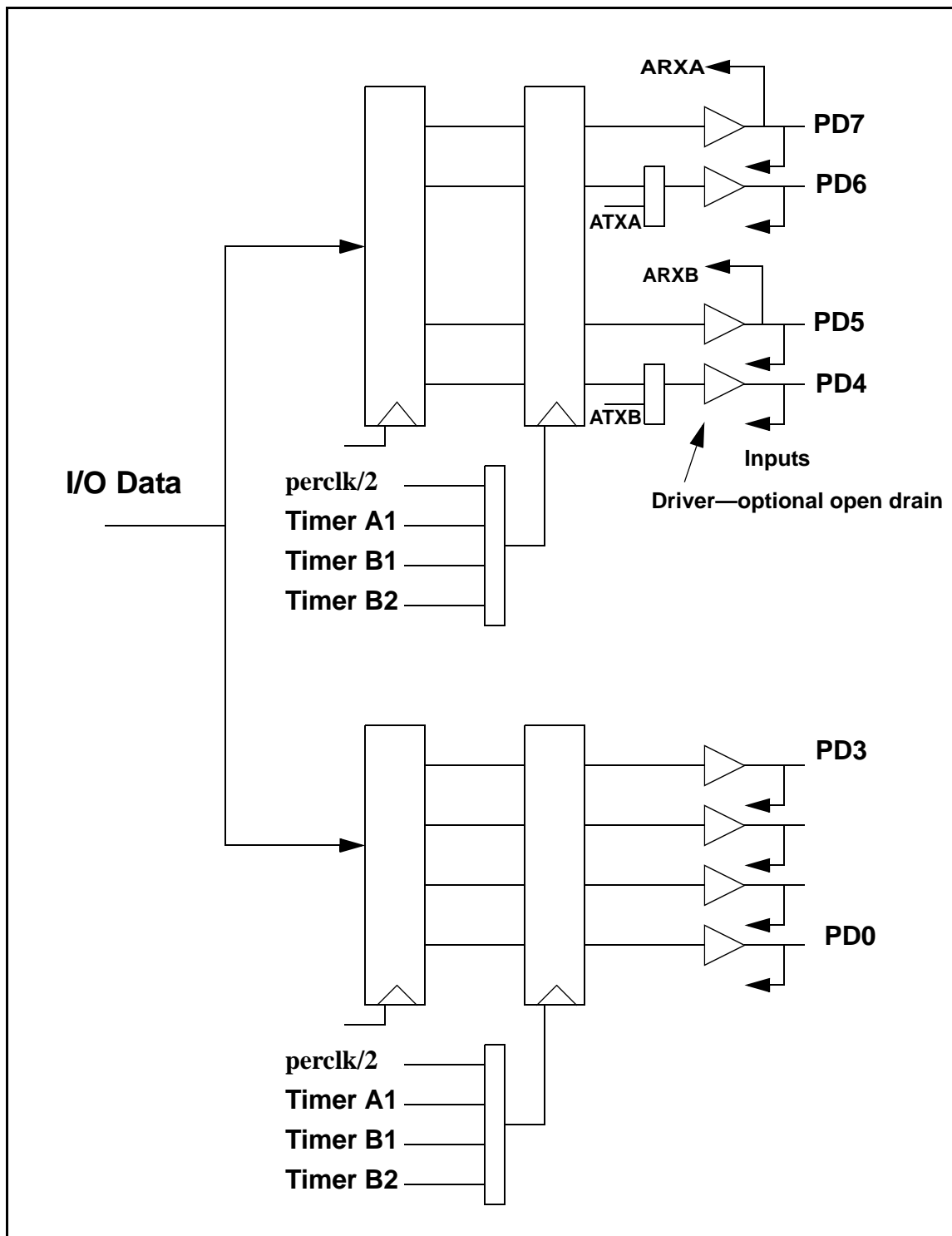


Figure 9-1. Parallel Port D Block Diagram

Table 9-8. Parallel Port D Registers

	Bit 7	Bit 6	Bit 5	Bit 4	Bit 3	Bit 2	Bit 1	Bit 0
PDDR (R/W) adr = 0x060	PD7	PD6	PD5	PD4	PD3	PD2	PD1	PD0
PDDCR (W) adr = 0x066	out = open drain	out = open drain	out = open drain	out = open drain	out = open drain	out = open drain	out = open drain	out = open drain
PDFR (W) adr = 0x065	x	alt TXA	x	alt TXB	x	x	x	x
PDDDR (W) adr = 0x067	dir = out	dir = out	dir = out	dir = out	dir = out	dir = out	dir = out	dir = out
PDB0R (W) adr = 0x068	x	x	x	x	x	x	x	PD0
PDB1R (W) adr = 0x069	x	x	x	x	x	x	PD1	x
PDB2R (W) adr = 0x06A	x	x	x	x	x	PD2	x	x
PDB3R (W) adr = 0x06B	x	x	x	x	PD3	x	x	x
PDB4R (W) adr = 0x06C	x	x	x	PD4	x	x	x	x
PDB5R (W) adr = 0x06D	x	x	PD5	x	x	x	x	x
PDB6R (W) adr = 0x06E	x	PD6	x	x	x	x	x	x
PDB7R (W) adr = 0x06F	PD7	x	x	x	x	x	x	x

Table 9-9. Parallel Port D Control Register (adr = 0x064)

Bits 7, 6	Bits 5, 4	Bits 3, 2	Bits 1, 0
x	00—clock upper nibble on pclk/2 01—clock on timer A1 10—clock on timer B1 11—clock on timer B2	x	00—clock lower nibble on pclk/2 01—clock on timer A1 10—clock on timer B1 11—clock on timer B2

9.5 Parallel Port E

Parallel port E, shown in Figure 9-2, has eight I/O pins that can be individually programmed as inputs or outputs. Port E has a higher drive than most of the other ports. PE7 is used as the slave port chip select when the slave port is enabled. Each of the port E outputs can be configured as an I/O strobe. In addition, four of the port E lines can be used as interrupt request inputs. The output registers are cascaded and timer-controlled, making it possible to generate precise timing pulses.

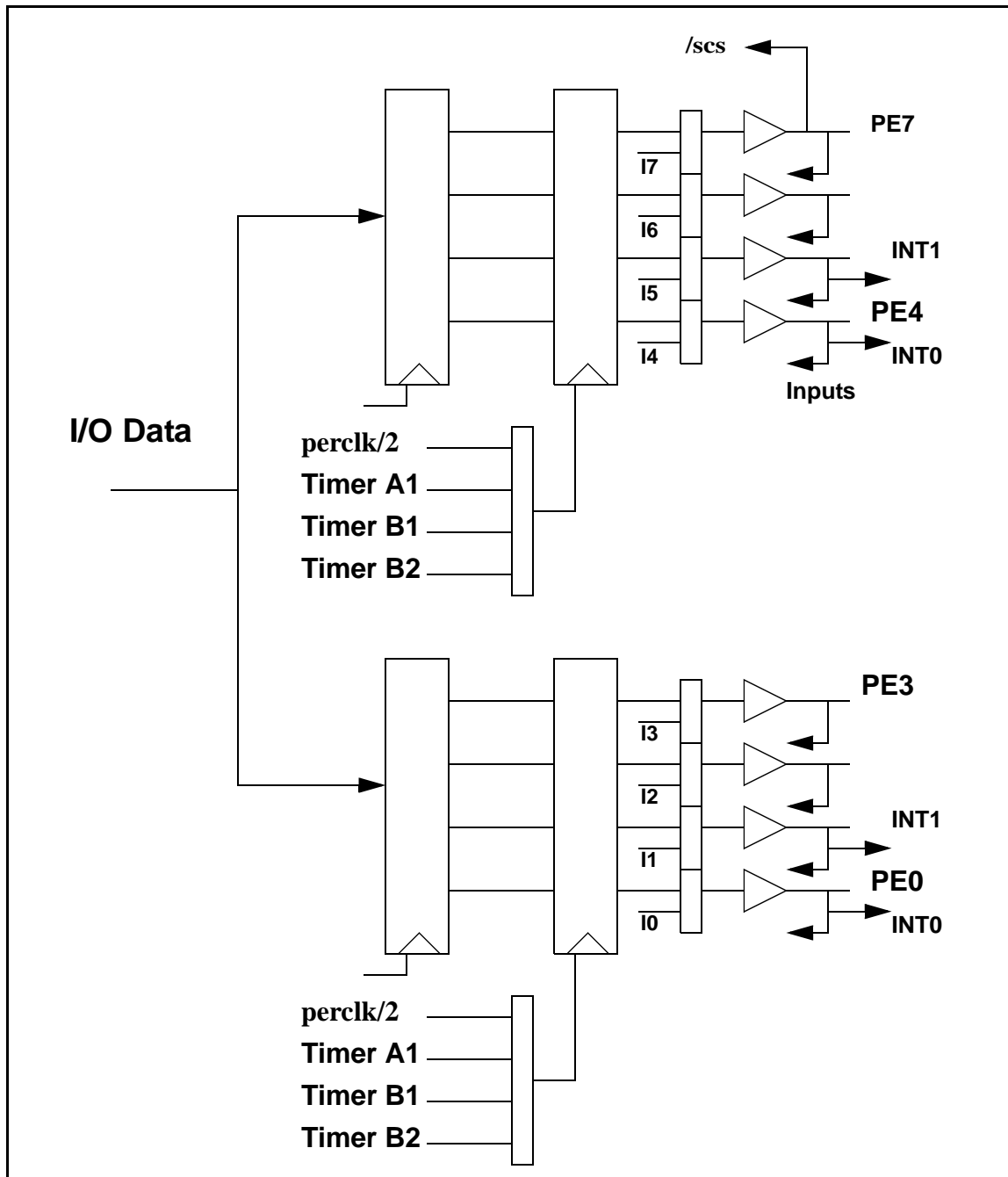


Figure 9-2. Parallel Port E Block Diagram

Table 9-10. Parallel Port E Registers

Register Name	Mnemonic	I/O address	R/W	Reset
Port E Data Register	PEDR	0x70	R/W	xxxxxxxx
Port E Control Register	PECR	0x74	W	xx00xx00
Port E Function Register	PEFR	0x75	W	00000000
Port E Data Direction Register	PEDDR	0x77	W	00000000
Port E Bit 0 Register	PEB0R	0x78	W	xxxxxxxx
Port E Bit 1 Register	PEB1R	0x79	W	xxxxxxxx
Port E Bit 2 Register	PEB2R	0x7A	W	xxxxxxxx
Port E Bit 3 Register	PEB3R	0x7B	W	xxxxxxxx
Port E Bit 4 Register	PEB4R	0x7C	W	xxxxxxxx
Port E Bit 5 Register	PEB5R	0x7D	W	xxxxxxxx
Port E Bit 6 Register	PEB6R	0x7E	W	xxxxxxxx
Port E Bit 7 Register	PEB7R	0x7F	W	xxxxxxxx

The following registers are described in Table 9-11 and in Table 9-12.

- PEDR—Port E data register. Reads value at pins. Writes to port E preload register.
- PEDDR—Port E data direction register. Set to "1" to make corresponding pin an output. This register is zeroed on reset.
- PEFR—Port E function register. Set bit to "1" to make corresponding output an I/O strobe. The nature of the I/O strobe is controlled by the I/O bank control registers (IBxCR). The data direction must be set to output for the I/O strobe to work.
- PEBxR—These are individual registers to set individual output bits on or off.
- PECR—Parallel port E control register. This register is used to control the clocking of the upper and lower nibble of the final output register of the port. On reset, bits 0, 1, 4, and 5 are reset to zero.

Table 9-11. Parallel Port E Registers

	Bit 7	Bit 6	Bit 5	Bit 4	Bit 3	Bit 2	Bit 1	Bit 0
PEDR (R/W) adr = 0x070	PE7	PE6	PE5	PE4	PE3	PE2	PE1	PE0
PEFR (W) adr = 0x075	alt /I7	alt /I6	alt /I5	alt /I4	alt /I3	alt /I2	alt /I1	alt /I0
PEDDR (W) adr = 0x077	dir = out	dir = out	dir = out	dir = out	dir = out	dir = out	dir = out	dir = out
PEB0R (W) adr = 0x078	x	x	x	x	x	x	x	PE0
PEB1R (W) adr = 0x079	x	x	x	x	x	x	PE1	x
PEB2R (W) adr = 0x07A	x	x	x	x	x	PE2	x	x
PEB3R (W) adr = 0x07B	x	x	x	x	PE3	x	x	x
PEB4R (W) adr = 0x07C	x	x	x	PE4	x	x	x	x
PEB5R (W) adr = 0x07D	x	x	PE5	x	x	x	x	x
PEB6R (W) adr = 0x07E	x	PE6	x	x	x	x	x	x
PEB7R (W) adr = 0x07F	PE7	x	x	x	x	x	x	x

Table 9-12. Parallel Port E Control Register (adr = 0x074)

Bits 7, 6	Bits 5, 4	Bits 3, 2	Bits 1, 0
x	00—clock upper nibble on pclk/2 01—clock on timer A1 10—clock on timer B1 11—clock on timer B2	x	00—clock lower nibble on pclk/2 01—clock on timer A1 10—clock on timer B1 11—clock on timer B2

10. I/O BANK CONTROL REGISTERS

The pins of Port E can be set individually to be I/O strobes. Each of the eight possible I/O strobes has a control register that controls the nature of the strobe and the number of wait states that will be inserted in the I/O bus cycle. Writes can also be suppressed for any of the strobes. The types of strobes are shown in Figure 10-1. Each of the eight I/O strobes is active for addresses occupying 1/8th of the 64K external I/O address space.

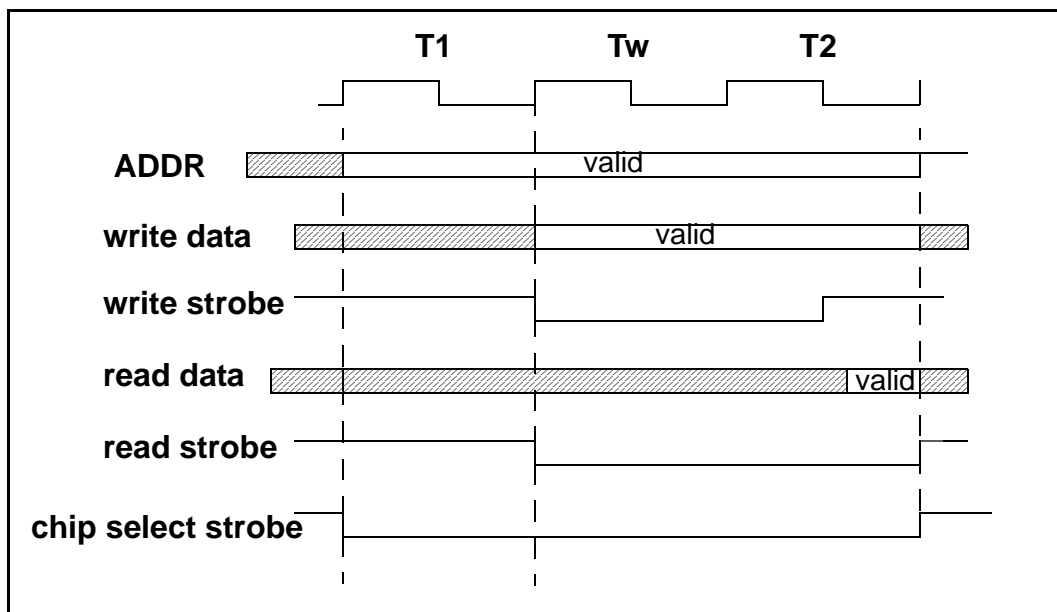


Figure 10-1. External I/O Bus Cycles

Table 10-1 shows how the eight I/O bank control registers are organized.

Table 10-1. I/O Bank Control Reg (*adr IBxCR = 08xh*)

Bits 7,6*	Bits 5,4	Bit 3	Bits 2-0
Wait state code 11-1 10-3 01-7 00-15	/IX strobe type 00—chip select 01—read strobe 10—write strobe 11—or of read and write strobe	1—permit write 0—inhibit write	Ignored

* Total number of external I/O read/write wait states, including the one wait state that is always present.

Compared to memory read/write cycles, which are each 2 or 3 clock cycles long respectively, external I/O read/write cycles are always at least three clock cycles long.

The eight I/O bank control registers determine the number of I/O wait states applied to an external I/O access within the zone controlled by each register even if the associated strobes are not enabled.

The control over the generation of wait states is independent of whether or not the associated strobe in Port E is enabled. The upper 2 bits of each register determine the number of wait states. The four choices are 1, 3, 7, or 15 wait states. On reset, the bits are cleared, resulting in 15 wait states. The inhibit write function applies to both the Port E write strobes and the /IOWR signal.

These control bits have no effect on the internal I/O space, which does not have wait states associated with read or write access. Internal I/O read or write cycles are two clocks long.

The I/O strobes greatly simplify the interfacing of external devices. On reset, the upper 5 bits of each register are cleared. Parallel port E will not output these signals unless the data-direction register bits are set for the desired output positions. In addition, the Port E function register must be set to "1" for each position.

Each I/O bank is selected by the three most significant bits of the 16-bit I/O address. Table 10-2 shows the relationship between the I/O control register and its corresponding space in the 64K address space.

Table 10-2. External I/O Register Address Range and Pin Mapping

Control Register	Port E Pin	I/O Address A[15:13]	I/O Address Range
IB0CR	PE0	000	0x0000–0x1FFF
IB1CR	PE1	001	0x2000–0x3FFF
IB2CR	PE2	010	0x4000–0x5FFF
IB3CR	PE3	011	0x6000–0x7FFF
IB4CR	PE4	100	0x8000–0x9FFF
IB5CR	PE5	101	0xA000–0xBFFF
IB6CR	PE6	110	0xC000–0xDFFF
IB7CR	PE7	111	0xE000–0xFFFF

NOTE: Refer to Section 3.3.8 for a fix to a bug that manifests itself if an I/O instruction (prefix **IOI** or **IOE**) is followed by one of 12 single-byte op codes that use **HL** as an index register.

11. TIMERS

There are two timers—Timer A and Timer B. Timer A is intended mainly for generating the baud clock for the serial ports, a periodic clock for clocking parallel ports D and E, or for generating periodic interrupts. Timer B can be used for the same functions, but it cannot generate the baud clock. Timer B is more flexible when it can be used because the program can read the time from a continuously running counter and events can be programmed to occur at a specified future time.

Figure 11-1 shows a block diagram of Timers A and B.

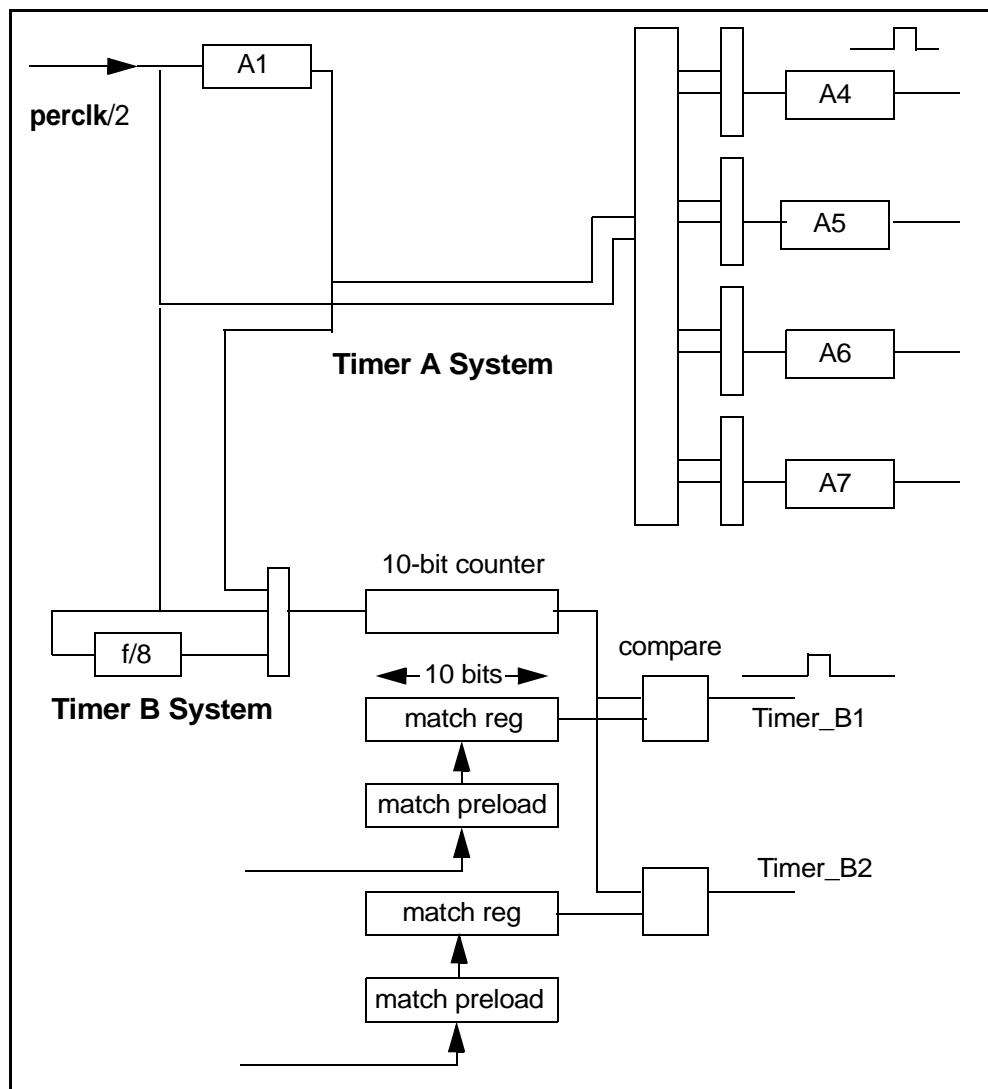


Figure 11-1. Block Diagram of Timers A and B

11.1 Timer A

Timer A consists of five separate countdown timers—A1 and A4–A7—as shown in Figure 11-1.

Timers A1 and A4–A7 are 8-bit countdown registers as shown in Figure 11-2. The reload register can contain any number in the range from 0 to 255. The counter divides by (n+1). For example, if the reload register contains 127, then 128 pulses enter on the left before a pulse exits on the right. If the reload register contains zero, then each pulse on the left results in a pulse on the right, that is, there is division by one.

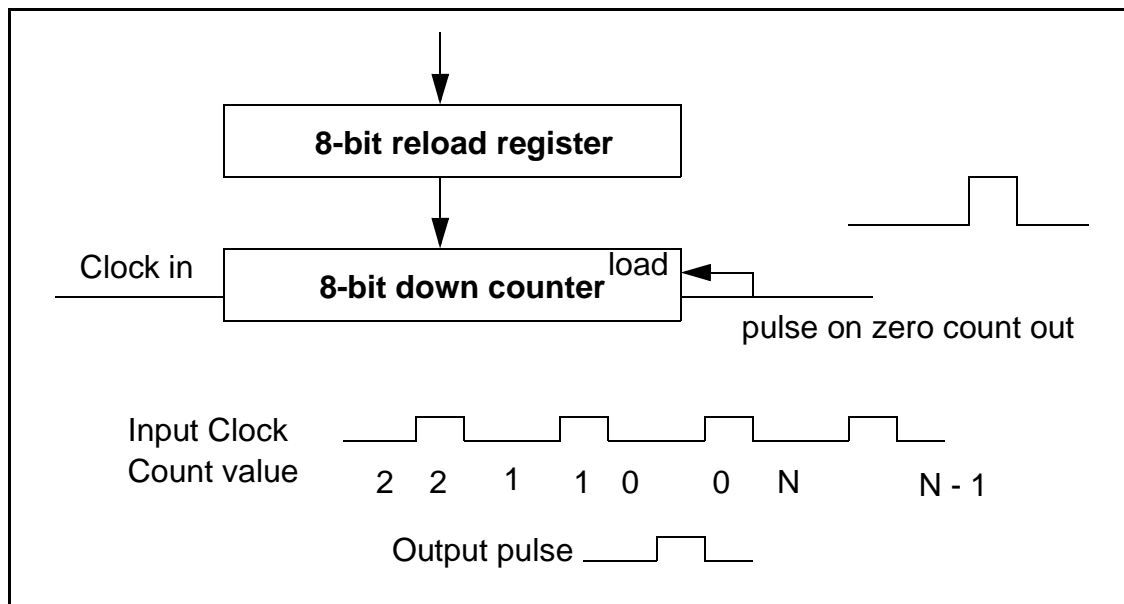


Figure 11-2. Reload Register Operation

The timer systems are driven by the peripheral clock divided by two. This clock is always the same as the processor clock, or it is faster than the processor clock by a factor of eight. The output pulses are always one clock long. Clocking of the counters takes place on the negative edge of this pulse. When the counter reaches zero, the reload register is loaded on the next input pulse instead of a count being performed. The reload registers may be reloaded at any time since the peripheral clock is synchronous with the processor clock.

Timers A4, A5, A6 and A7 always provide the baud clock for serial ports A, B, C and D respectively. Except for very low baud rates, clock A1 does not need to be used to prescale the input clock for timers A4–A7. For example, if the system clock is 11.0592 MHz, and if the timer A4 divides by 144, an asynchronous baud rate of 2400 bps can be achieved in one step. The clock input to the serial port must be 16 times the baud rate for asynchronous mode and 8 times the baud rate for synchronous mode. The maximum asynchronous baud rate with a 11.0592 MHz clock would be $(11,059,200 / (2 * 16)) = 345,600$.

Each of the five countdown registers in timer A can cause an interrupt. There is one interrupt vector for timer A and a common interrupt priority. A common status register (TACSR) has a bit for each timer that indicates if the output pulse for that timer has taken

place since the last read of the status register. When the status register is read, these bits are cleared. No bit will be lost. Either it will be read by the status register read or it will be set after the status register read is complete. If a bit is on and the corresponding interrupt is enabled, an interrupt will occur when priorities allow. However, a separate interrupt is not guaranteed for each bit with an enabled interrupt. If the bit is read in the status register, it is cleared and no further interrupt corresponding to that bit will be requested. It is possible that one bit will cause an interrupt, and then one or more additional bits will be set before the status register is read. After these bits are cleared, they cannot cause an interrupt. If any bits are on, and the corresponding interrupt is enabled, then the interrupt will take place as soon as priorities allow. However, if the bit is cleared before the interrupt is latched, the bit will not cause an interrupt. The proper rule to follow is for the interrupt routine to handle all bits that it sees set.

11.1.1 Timer A I/O Registers

The I/O registers for Timer A are listed in Table 11-1.

Table 11-1. Timer A I/O Registers

Register Name	Register Mnemonic	I/O address (hex)	R/W
Timer A Control/Status Register	TACSR	A0	R/W
Timer A Control Register	TACR	A4	W
Timer A1 Time Constant 1 Register	TAT1R	A3	W
Timer A4 Time Constant 4 Register	TAT4R	A9	W
Timer A5 Time Constant 5 Register	TAT5R	AB	W
Timer A6 Time Constant 6 Register	TAT6R	AD	W
Timer A7 Time Constant 7 Register	TAT7R	AF	W

The control/status register for Timer A (TACSR) is laid out as shown in Table 11-2.

Table 11-2. Timer A Control and Status Register (adr = 0x0A0)

	Bit 7	Bit 6	Bit 5	Bit 4	Bit 3	Bit 2	Bit 1	Bit 0
Read	A7 count done	A6 count done	A5 count done	A4 count done	0	0	A1 count done	This bit is write only.
Write	A7 interrupt enable	A6 interrupt enable	A5 interrupt enable	A4 interrupt enable	x	x	A1 interrupt enable	1—enable Timer A

Bits 1, 4–7—Read/write, terminal count reached on timers A1 and A4–A7. Reading this status register clears any bits (bits 1 and 4–7) that are on. Writing to these bits enables the interrupts for the corresponding timer.

Bit 0—Write, set to a "1" to enable the clock (perclk/2) for Timer A, set to "zero" to disable the clock (perclk/2 in Figure 11-1). Bits 1 and 4–7 are written (write only) to enable the interrupt for the corresponding timer.

The control register (TACR) is laid out as shown in Table 11-3.

Table 11-3. Timer A Control Register (*adr* = 0x0A4)

Bit 7 A7	Bit 6 A6	Bit 5 A5	Bit 4 A4	Bits 3, 2	Bits 1, 0
Source A7 0-pclk/2 1-A1	Source A6 0-pclk/2 1-A1	Source A5 0-pclk/2 1-A1	Source A4 0-pclk/2 1-A1	not used ignored	00—Interrupt disabled 01—Enable priority 1 interrupt 10—Enable priority 2 interrupt 11—Enable priority 3 interrupt

The time constant register for each timer is simply an 8-bit data register holding a number between 0 and 255. The time constant registers are write only.

11.1.2 Practical Use of Timer A

Timer A is disabled (bit 0 in control and status register) on power-up. Timer A is normally set up while the clock is disabled, but the timer setup can be changed while the timer is running when there is a need to do so. Timers that are not used should be driven from the output of A1 and the reload register should be set to 255. This will cause counting to be as slow as possible and consume minimum power.

Timer A has five separate subtimer units, A1 and A4–A5, that are also referred to as timers.

Most likely, if a serial port is going to be used and a timer is needed to provide the baud clock, that timer will be set up to be driven directly from the clock, and the interrupt associated with that timer will be disabled. (Serial port interrupts are generated by the serial port logic.)

The value in the reload register can be changed while the timer is running to change the period of the next timer cycle. When the reload register is initialized, the contents of the countdown counter may be unknown, for example, during power-up initialization. If interrupts are enabled, then the first interrupt may take place at an unknown time. Similarly, if the timer output is being used to drive the clock for a parallel port or serial port, the first clock may come at a random time. If a periodic clock is desired, it is probably not important when the first clock takes place unless a phase relationship is desired relative to a different timers.

A phase relationship between two timers can be obtained in several ways. One way is to set both reload registers to zero and to wait long enough for both timers to reload (maximum 256 clocks). Then both timers' reload registers can be set to new values before or after both are clocked.

11.2 Timer B

Figure 11-1 shows a block diagram of Timer B.

The main clock for Timer B is $PCLK/2$. Bit 0 of the TBCSR register controls the main clock for Timer B. The Timer B counter can be driven directly by $PCLK/2$, $PCLK/16$ [$(PCLK/2)/8$], or by the output of Timer A1. The first two options are controlled by bit 0 in TBCSR. The third option has to be enabled or disabled through bit 0 of the TACSR register.

Timer B has a continuously running 10-bit counter. The counter is compared against two match registers, the B1 match register and the B2 match register. When the counter transitions to a value equal to a match register, an internal pulse with a length of 1 peripheral clock is generated. The match pulse can be used to cause interrupts and/or clock the output registers of parallel ports D and E.

There are two ways to set up the Timer B match registers for use, one just after power-up, and one for after using the Timer B match register system.

After power-up or reset, the value in the TBLxR match register is flagged as "invalid." At this time a value written to the holding register will be transferred to the match register on the next rising edge of the Timer B clock. Once the value is loaded in the match register, an internal flag will indicate that a valid value is present in the match register. If another value is written to the same register, it will stay in the holding register. Once a match occurs, the value in the TBLxR match register is flagged as "invalid." At that time, if a value is in the holding register, it will get transferred to the match register, assuming that the Timer B clock is running.

Every time a match condition occurs, the processor sets an internal bit that marks the match value in TBLxR as invalid. Reading TBCSR clears the interrupt condition. TBLxR must be reloaded to re-enable the interrupt. TBMxR does *not* need to be reloaded every time.

If both match registers need to be changed, the most significant byte needs to be changed first.

The Timer B I/O registers are listed in Table 11-4.

Table 11-4. Timer B Registers

Register Name	Register Mnemonic	I/O Address (hex)	R/W	On Reset To
Timer B Control/Status Register	TBCSR	B0	R/W	xxxxx000
Timer B Control Register	TBCR	B1	W	xxxxxx00
Timer B MSB 1 Reg	TBM1R	B2		x
Timer B LSB 1 Reg	TBL1R	B3	W	x
Timer B MSB 2 Reg	TBM2R	B4	W	x
Timer B LSB 2 Reg	TBL2R	B5	W	x
Timer B Count MSB Reg	TBCMR	BE	R	x
Timer B Count LSB Reg	TBCLR	BF	R	x

The control/status register for Timer B (TBCSR) is laid out as shown in Table 11-5.

Table 11-5. Timer B Control and Status Register (TBCSR) (adr = 0x0B0)

Bits 7:3	Bit 2	Bit 1	Bit 0
Not used	1—A match with match register 2 was detected. This bit is cleared when this register is read; setting this bit to 1 enables the interrupt.	1—A match with match register 1 was detected. This bit is cleared when this register is read; setting this bit to 1 enables the interrupt.	1—Enable the main clock for this timer.

The control register for Timer B (TBCR) is laid out as shown in Table 11-6.

Table 11-6. Timer B Control Register (TBCR)

Bits 7:4	Bits 3:2	Bits 1:0
Not used	00—Counter clocked by perclk/2 01—Counter clocked by output of timer A1 1x—Timer clocked by perclk/2 divided by 8	00—Interrupt disabled xx—Interrupt priority xx enabled.

The MSB *x* registers for Timer B (TBM1R/TBM2R) are laid out as shown in Table 11-7.

Table 11-7. Timer B MSB *x* Register (TBM1R/TBM2R = 0x0B2/0x0B4)

Bits 7:6	Bits 5:0
Two most significant bits of timer match preload register.	Not used.

11.2.1 Using Timer B

Normally the prescaler is set to divide $PCLK/2$ by a number that provides a counting rate appropriate to the problem. For example, if the clock is 22.1184 MHz, then $PCLK/2$ is 11.0592 MHz. A Timer B clock rate of 11.0592 MHz will cause a complete cycle of the 10-bit clock in 92.6 μ s.

Normally an interrupt will occur when either of the comparators in Timer B generates a pulse. The interrupt routine must detect which comparator is responsible for the interrupt and dispatch the interrupt to a service routine. The service routine sets up the next match value, which will become the match value after the next interrupt. If the clocked parallel ports are being used, then a value will normally be loaded into some bits of the parallel port register. These bits will become the output bits on the next match pulse. (It is necessary to keep a shadow register for the parallel port unless the bit-addressable feature of ports D and E is used.)

If it is desired to read the time from the Timer B counter, either during an interrupt caused by the match pulse or in some other interrupt routine asynchronous to the match pulse, a special procedure needs to be used to read the counter because the upper 2 bits are in a different register than the lower 8 bits. The following method is suggested.

1. Read the lower 8 bits.
2. Read the upper 2 bits
3. Read the lower 8 bits again
4. If bit 7 changed from 1 to 0 between the first and second read of the lower 8 bits there has been a carry to the upper 2 bits. In this case read the upper 2 bits again and decrement those 2 bits to get the correct upper 2 bits. Use the first read of the lower 8 bits. This procedure assumes that the time between reads can be guaranteed to be less than 256 counts. This can be guaranteed in most systems by disabling the priority 1 interrupts, which will normally be disabled in any case in an interrupt routine.

It is inadvisable to disable the high-priority interrupts (levels 2 and 3) as that defeats their purpose.

If speed is critical, the three reads of the registers can be performed without testing for the carry. The three register values can be saved and the carry test can be performed by a lower priority analysis routine. Since the upper 2 bits are in the register TBCMR at address 0x0BE, and the lower 8 bits are in TBCLR at address 0x0BF, both registers can be read with a single 16-bit I/O instruction. The following sequence illustrates how the registers could be captured.

```
; enter from external interrupt on pulse input transition
; 19 clocks latency plus 10 clocks interrupt execution
push af ; 7
push hl
ioi ld a, (TBCLR) ; 11 get lower 8 bits of counter
ioi ld hl, (TBCMR) ; 13 get l=upper, h=lower
```

Timer B can be used for various purposes. The 10-bit counter can be read to record the time at which an event takes place. If the event creates an interrupt, the timer can be read in the interrupt routine. The known time of execution of the interrupt routine can be subtracted. The variable interrupt latency is then the uncertainty in the event time. This can be as little 19 clocks if the interrupt is the highest priority interrupt. If the system clock is 20 MHz, the counter can count as fast as 10 MHz. The uncertainty in a pulse width measurement can be nearly as low as 38 clocks (2×19), or about 2 μs for a 20 MHz system clock.

Timer B can be used to change a parallel port output register at a particular specified time in the future. A pulse train with edges at arbitrary times can be generated with the restriction that two adjacent edges cannot be too close to each other since an interrupt must be serviced after each edge to set up the time for the next edge. This restriction limits the minimum pulse width to about 5 μs , depending on the clock speed and interrupt priorities.

12. RABBIT SERIAL PORTS

Two features related to asynchronous and clocked serial communication were added to the Rabbit 2000 serial port hardware in revisions A–C to improve and simplify asynchronous serial and clocked serial communication. See Section B.2.3 for more information.

The Rabbit has four on-chip serial ports designated A, B, C, and D. All the ports can perform asynchronous serial communications at high baud rates. Ports A and B have the additional capabilities of being able to operate as clocked ports and of being switchable to alternate I/O pins. Port A has the special capability of being usable to perform a cold boot of the microprocessor system.

Figure 12-1 shows a block diagram of the serial ports.

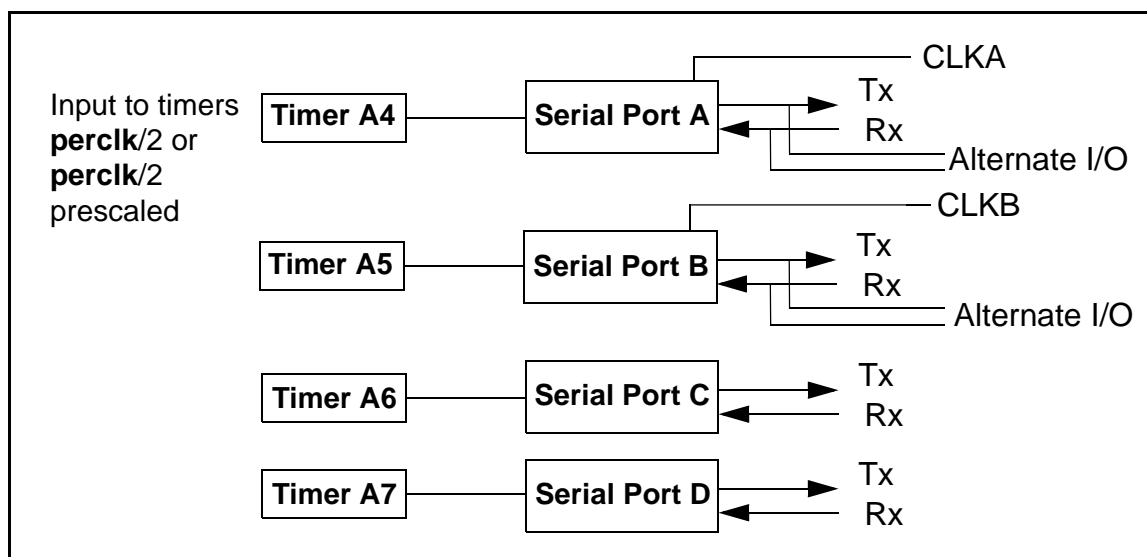


Figure 12-1. Block Diagram of Rabbit Serial Ports

The individual serial ports are capable of operating at baud rates in excess of 500,000 bps in the asynchronous mode, and 8 times faster than that in the synchronous mode. Either 7 or 8 data bits may be transmitted and received in the asynchronous mode. The so-called "9th" bit or address bit mode of operation is also supported. Parity and multiple stop bits are not directly supported by the hardware, but may be accomplished with suitable programming techniques.

12.1 Serial Port Register Layout

Figure 12-2 shows a functional block diagram of a serial port. Each serial port has a data register, a control register and a status register. Writing to the data register starts transmission. If the write is performed to an alternate data register address, the extra address bit or 9th bit is sent. When data bits have been received, they are read from the data register. The control register is used to set the transmit and receive parameters. The status register may be tested to check on the operation of the serial port.

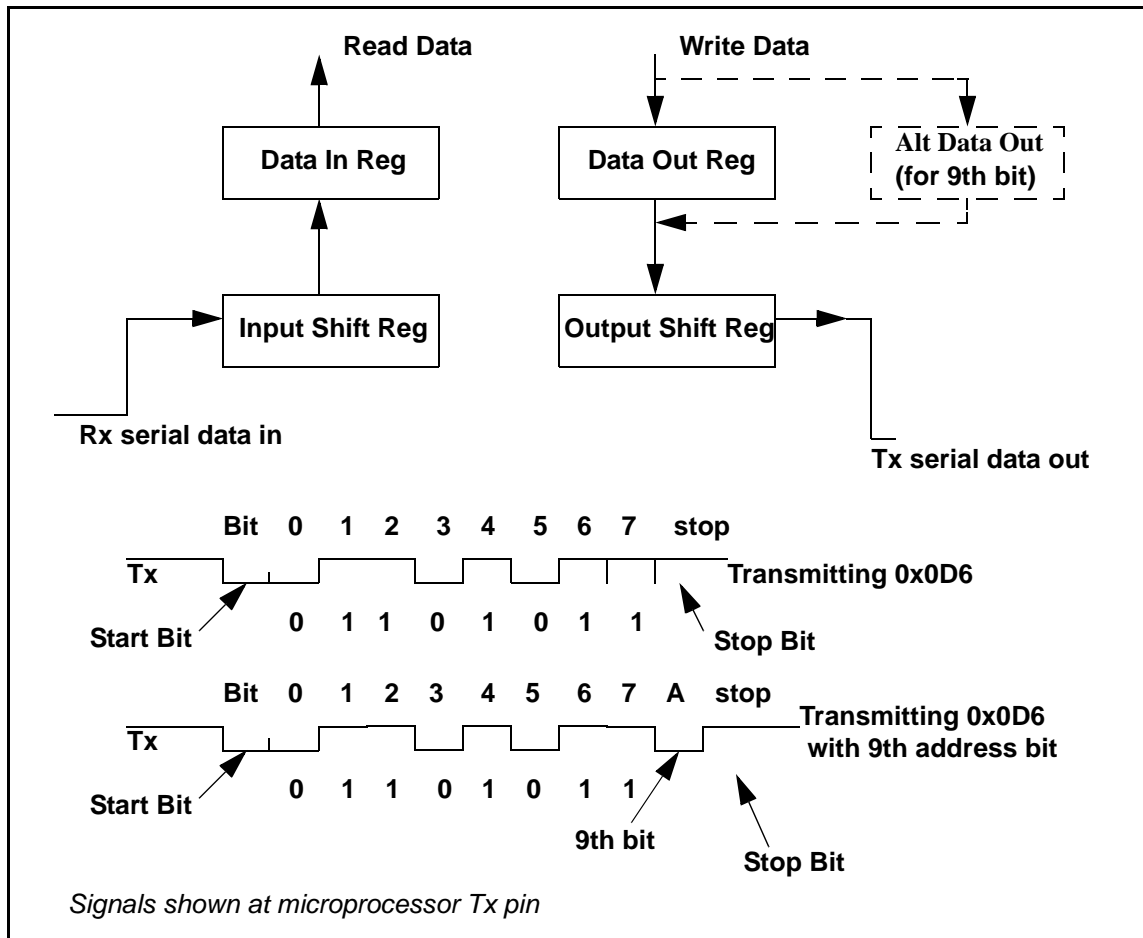


Figure 12-2. Functional Block Diagram of a Serial Port

The clock input to the serial port unit must be 16 times the baud rate in the asynchronous mode and 2 times the baud rate for the clocked serial mode when the internal clock is used. Timers A4–A7 supply the input clock for Serial Ports A–D. These timers can divide the frequency by any number from 1 to 256 (see Chapter 11). The input frequency to the timers can be selected in different ways described in the documentation for the timers. One choice is the peripheral clock divided by 2—with that choice and a well-chosen crystal frequency for the main oscillator, the most commonly used baud rates can be obtained down to approximately 2400 bps at the highest Rabbit clock frequencies (see Section A.4 in Appendix A).

Table 12-1 lists the serial port registers.

Table 12-1. Serial Port Registers

Register	Address xx = 00, 01, 10, 11 for A, B, C, D	Mnemonic x = A, B, C, D
Data Register	11xx0000	SxDR
Alternate Data Register to Send 9th (8th) Address Bit	11xx0001	SxAR
Long Stop Register*	11xx0010	SxLR
Status Register (read, write to clear transmit IRQ)	11xx0011	SxSR
Control Register (write only)	11xx0100	SxCR

* Extra stop bit is supported in revisions A–C of the Rabbit 2000 chip via this register.

Table 12-2 describes the serial port status registers.

Table 12-2. Serial Port Status Registers (adr = 11xx0011, xx = A,B,C,D)

Bit 7	Bit 6	Bit 5	Bit 4	Bit 3	Bit 2	Bit 1,0
Receiver ready (there is a byte in the receive data register)	9th bit received	Receive buffer overrun	0	Transmitter data register is full	Transmitter is sending a byte	0,0

Writing to the status register clears the transmit interrupt request FF, but has no other effect.

Bit 7—Receiver ready. This bit is set when a byte is transferred from the receiver shift register to the receiver data register. The bit is cleared when the receiver data register is read.

The transition from "0" to "1" sets the receiver interrupt request flip-flop.

Bit 6—Address bit or 9th (8th) bit. This bit is set if the character in the receiver data register has a 9th (8th) bit. This bit is cleared and should be checked before reading a data register since a new data value with a new address bit may be loaded immediately when the data register is read.

Bit 5—This bit is set if the receiver is overrun. This happens if the shift register and the data register are full and a start bit is detected. This bit is cleared when the receiver data register is read.

Bit 3—Transmitter data buffer full. This bit is set when the transmit data register is full, that is, a byte is written to the serial port data register. It is cleared when a byte is transferred to the transmitter shift register or a write operation is performed to the serial port status register. This bit will request an interrupt on the transition from 1 to 0 if interrupts are enabled.

Bit 2—Transmitter busy bit. This bit is set if the transmitter shift register is busy sending data. It is set on the falling edge of the start bit, which is also the clock edge that transfers data from the transmitter data register to the transmitter shift register. The transmitter busy bit is cleared at the end of the stop bit of the character sent. This bit will cause an interrupt to be latched when it goes from busy to not busy status after the last character has been sent (there are no more data in the transmitter data register).

Bits 0,1,4—Always read as zero.

Table 12-3 describes the serial port control registers.

Table 12-3. Serial Port Control Registers (*adr = 11xx0100, xx = A,B,C,D*)

Bit 7,6	Bit 5,4	Bit 3,2	Bit 1,0
00—no op 01—receive 1 byte clocked mode (A,B) 10—send one byte clocked mode (A,B) 11—reserved for future use	00—use port C for serial input 01—use port D for serial input 1x—disable receiver input	00—async mode, 8 bits 01—async mode 7 bits 10—clocked mode external clock (A,B) 11—clocked mode internal clock (A,B)	00—no interrupt 01— priority 1 interrupt 10—priority 2 11—priority 3

Bits 7,6—In asynchronous mode, always store zero in these bits. For Ports A and B, if the clocked serial mode is enabled, store the code here to start an operation, either receive or send. If the clock is internal, a burst of 8 clocks will drive the clock line. In external mode, the receiver or transmitter waits for an externally supplied burst of 8 clocks.

Bits 5,4—This enables the standard or alternate pins for the ports. The parallel port output function for the specified Tx pin becomes disabled when the port is enabled. The settings in the parallel port C function register (PCFR) and the parallel port D function register (PDFR) are used to enable the Port C and Port D serial outputs (see Section 9.3, “Parallel Port C” and Section 9.4, “Parallel Port D” for more details).

Bits 3,2—This sets the mode of operation. Modes 10 and 11 apply only to Ports A and B.

Bits 1,0—These bits enable interrupts and set the interrupt priority.

12.2 Serial Port Interrupt

A common interrupt vector is used for the receive and transmit interrupts. There is a separate interrupt request flip-flop for the receiver and transmitter. If either of these flip-flops is set, a serial port interrupt is requested. The flip-flops are set by a rising edge only. The flip-flops are cleared by a pulse generated by an I/O read or write operation as shown in Figure 12-3. When an interrupt is requested, it will take place immediately when priorities allow and an instruction execution is complete. The interrupt is lost if the request flip-flop is cleared before the interrupt takes place. If the flip-flop is not cleared in the interrupt, another interrupt will take place when priorities are lowered.

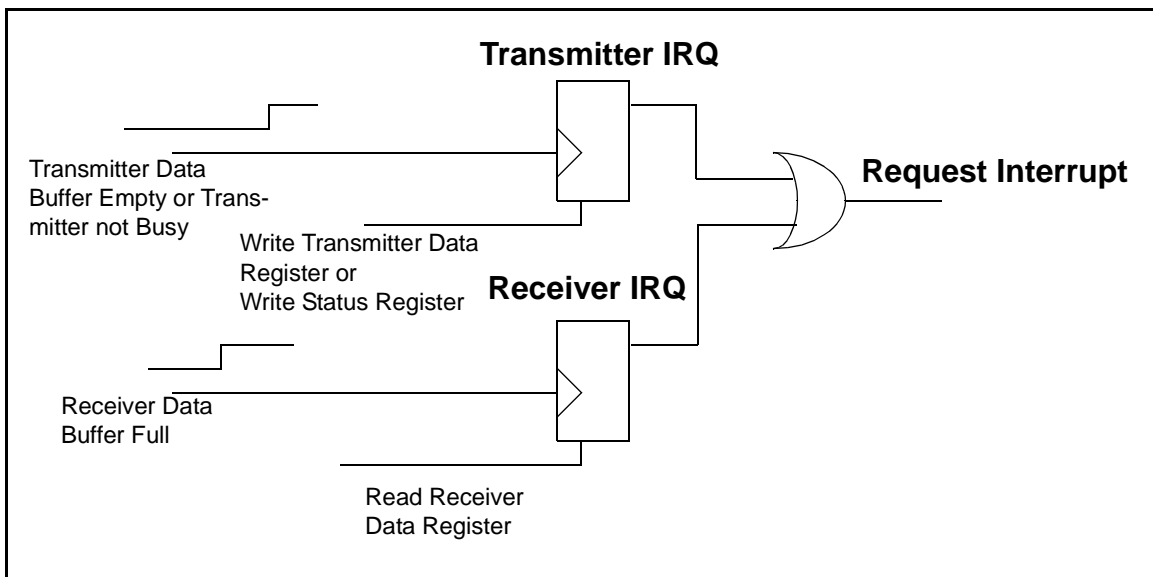


Figure 12-3. Generation of Serial Port Interrupts

The receive interrupt request flip-flop is set after the stop bit is sampled on receive, nominally one half of the way through the stop bit. Data bits are transferred on this same clock from the receive shift register to the receive data register.

The transmit interrupt request flip-flop is set on the leading edge of the stop bit for data register empty and at the trailing edge of the stop bit for shift register empty (transmitter idle). Unless the data register is empty on this trailing edge of the stop bit, the transmitter does not become idle. The transmitter becomes idle only if the data register is empty at the trailing edge of the stop bit.

The serial port interrupt vectors are shown in Table 7-11.

12.3 Transmit Serial Data Timing

On transmit, if the interrupts are enabled, an interrupt is requested when the transmit register becomes empty and, in addition, an interrupt occurs when the shift register and transmit register both become empty, that is, when the transmitter becomes idle. When the transmit data register contains data and the shift register finishes sending data, the data bits are clocked from the transmit register to the shift register, and the shift register is never idle. The interrupt request is cleared either by writing to the data register or by writing to the status register (which does not affect the status register). The data register normally is clocked into the shift register each time the shift register finishes sending data, leaving the data register empty. This causes an interrupt request. The interrupt routine normally answers the interrupt before the shift register runs dry (9 to 11 baud clocks, depending on the mode of operation). The interrupt routine stores the next data item in the data register, clearing the interrupt request and supplying the next data bits to be sent. When all the characters have been sent, the interrupt service routine answers the interrupt once the data register becomes empty. Since it has no more data, it clears the interrupt request by storing to the status register. At this point the routine should check if the shift register is empty; normally it won't be. If it is, because the interrupt was answered late, the interrupt routine should do any final cleanup and store to the status register again in case the shift register became empty after the pending interrupt is cleared. Normally, though, the interrupt service routine will return and there will be a final interrupt to give the routine a chance to disable the output buffers, as in the case for RS-485 transmission.

12.4 Receive Serial Data Timing

When the receiver is ready to receive data, a falling edge indicates that a start bit must be detected. The falling edge is detected as a different Rx input between two different clocks, the clock being 16x the baud rate. Once the start bit has been detected, data bits are sampled at the middle of each data bit and are shifted into the receive shift register. After 7 or 8 data bits have been received, the next bit will be either a 9th (8th) address bit, or a stop bit will be sampled. If the Rx line is low, it is an address bit and the address bit received bit in the status register will be enabled. If an address bit is detected, the receiver will attempt to sample the stop bit. If the line is high when sampled, it is a stop bit and a new scan for a new start bit will begin after the sample point. At the same time, the data bits are transferred into the receive data register and an interrupt, if enabled, is requested.

On receive, an interrupt is requested when the receiver data register has data. This happens when data bits are transferred from the receive shift register to the data register. This also sets bit 7 of the status register. The interrupt request and bit 7 are cleared when the data register is read.

An interrupt is requested if bit 7 is high. The interrupt is requested on the edge of the transmitter data register becoming empty or the transmitter shift register becoming empty. The transmitter interrupt is cleared by writing to the status register or to the data register.

On receive, the scan for the next start bit starts immediately after the stop bit is detected. The stop bit is normally detected at a sample clock that nominally occurs in the center of the stop bit. If there is a 9th (8th) address bit, the stop bit follows that bit.

12.5 Clocked Serial Ports

See Section B.2.3 for more information for more information about a new feature added to revisions A–C to better support full-duplex communication.

Ports A and B can operate in clocked mode. The data line and clock line are driven as shown in Figure 12-4. The data and clock are provided as 8-bit bursts. The transmit shift register advances on the falling edge of the clock. The receiver samples the data on the rising edge of the clock. The serial port can generate the clock or the clock can be provided externally.

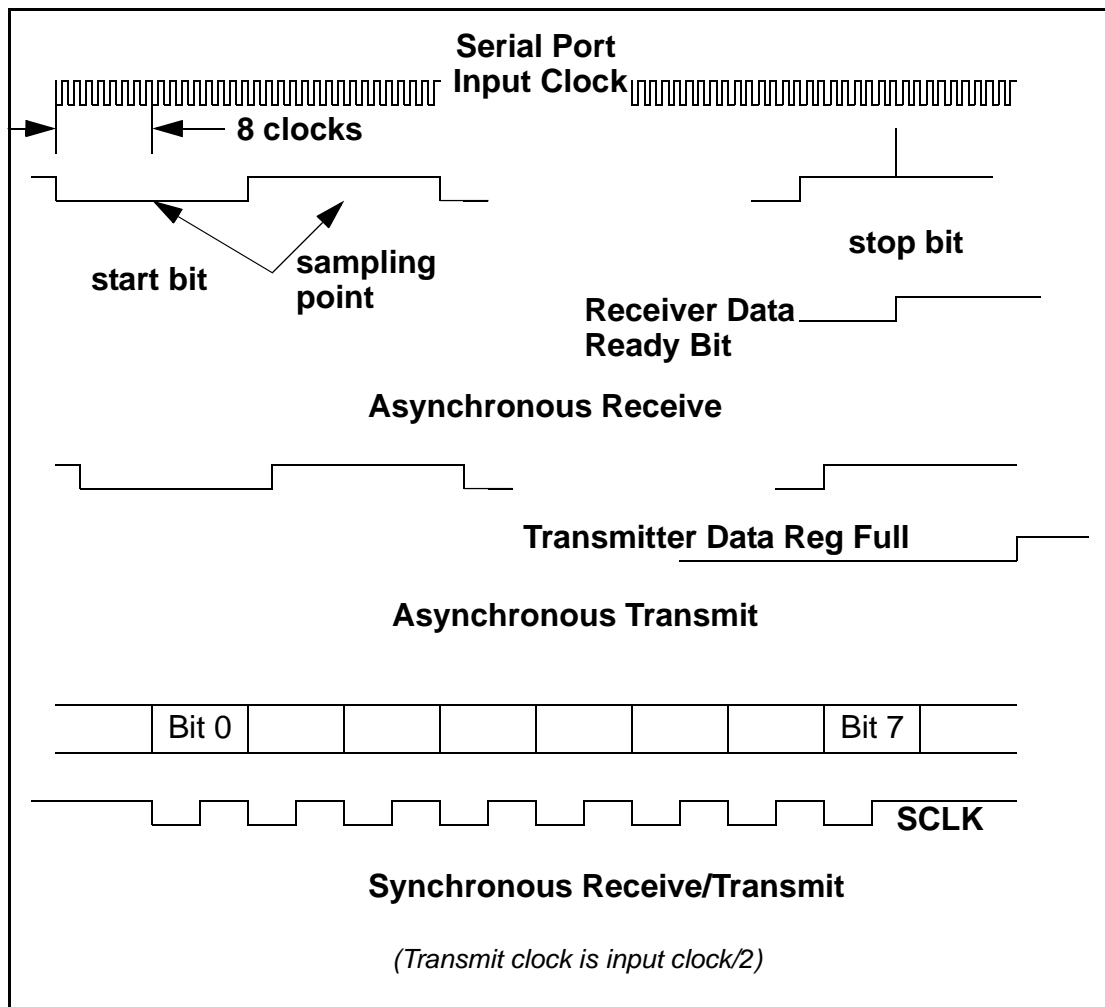


Figure 12-4. Serial Port Synchronization

Table 12-4 lists the synchronous serial port signals.

Table 12-4. Synchronous Serial Port Signals

Rabbit Signal Names	Pin Function
CLKA or CLKB	Serial Clock
TxA or TxB on Parallel Port CATxA or ATxB on Parallel Port D	Data Transmit
RxA or RxB on Parallel Port C ARxA or ARxB on Parallel Port D	Data Receive

To enable the clocked serial mode, a code must be in bits (3,2) of the control register, enabling the clocked serial mode with either an internal clock or an external clock. The transition between the external and the internal clock should be performed with care. Normally a pullup resistor is needed on the clock line to prevent spurious clocks while neither party is driving the clock.

In clocked serial mode the shift register and the data register work in the same fashion as for asynchronous communications. However, to initiate sending or receiving, a code must be stored in bits (7,6) of the control register for each byte sent or received. One code specifies sending a byte, a different code specifies receiving a byte. The effect of these codes is different, depending on whether the mode is internal clock or external clock.

To transmit in internal clock mode, the user must first load the data register (which must be empty) and then store the send code. When the shift register finishes sending the current character, if any, the data register will be loaded into the shift register and transmitted by an 8-clock burst. One character can be in the process of transmitting while another character is waiting in the data register tagged with the send code. The send code is effectively double-buffered.

To receive a character in internal clock mode, the receive shift register should be idle. The user then stores the receive code in the control register. A burst of 8 clocks will be generated and the sender must detect the clocks and shift output data to the data line on the falling edge of each clock. The receiver will sample the data on the rising edge of each clock. The receive mode cannot double-buffer characters when using the internal clock. The shift register must be idle before another character receive can be initiated. However, the interrupt request and character ready takes place on the rising edge of the last clock pulse. If the next receive code is stored before the natural location of the next falling edge, another receive will be initiated without pausing the clock. To do this, the interrupt has to be serviced within 1/2 clock.

To transmit each byte in external clock mode, the user must load the data register and then store the send code. When the shift register is idle and the receiver provides a clock burst, the data bits are transferred to the shift register and are shifted out. Once the transfer is

made to the shift register, a new byte can be loaded into the transmit register and a new send code can be stored.

To receive a byte in external clock mode, the user must set the receive code for the first byte and then store the receive code for the next byte after each byte is removed from the data register. Since the receive code must be stored before the transmitter sends the next byte, the receiver must service the interrupt within 1/2 baud clock to maintain full-speed transmission. This is usually not practical unless a flow control arrangement is made or the transmitter inserts gaps between the clock bursts.

In order to carry on high-speed communication, the best arrangement will usually be for the receiver to provide the clock. When the receiver provides the clock, the transmitter should always be able to keep up because it is double-buffered and has a full character time to answer the transmitter data register empty interrupt. The receiver will answer interrupts that are generated on the last clock rising edge. If the interrupt can be serviced within 1/2 clock, there will be no pause in the data rate. If it takes the receiver longer to answer, then there will be a gap between bytes, the length of which depends on the interrupt latency. For example, if the baud rate is 400,000 bps, then up to 50,000 bytes per second could be transmitted, or a byte every 20 μ s. No data will be lost if the transmitter can answer its interrupts within 20 μ s. There will be no slow down if the receiver can answer its interrupt within 1/2 clock or 1.25 μ s. If it can answer within 1.5 clocks, or 2.75 μ s, the data rate will slow to 44,444 bytes per second. If it can answer in 2.5 clocks or 6.25 μ s, the data rate slows to 40,000 bytes per second. If it can answer in 3.5 clocks or 8.75 μ s, the data rate will slow to 36,363 bytes per second, and so forth.

If two-way half-duplex communication is desired, the clock can be turned around so that the receiver always provides the clock. This is slightly more complicated since the receiver cannot initiate a message. If the receiver attempts to receive a character and the transmitter is not transmitting, the last bit sent will be received for all eight bits.

12.6 Clocked Serial Timing

12.6.1 Clocked Serial Timing With Internal Clock

For synchronous serial communication, the serial clock can be either generated by the Rabbit or by an external device. The timing diagram in Figure 12-5 below can be applied to both full-duplex and half-duplex clocked serial communication where the serial clock is generated internally by the Rabbit. With an internal clock, the maximum serial clock rate is $\text{perclk}/4$.

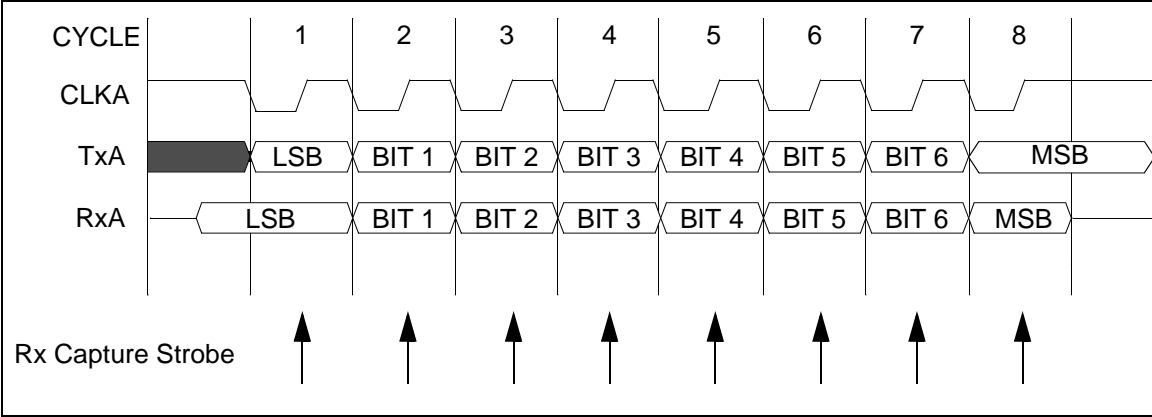


Figure 12-5. Full-Duplex Clocked Serial Timing Diagram with Internal Clock

12.6.2 Clocked Serial Timing with External Clock

In a system where the Rabbit serial clock is generated by an external device, the clock signal has to be synchronized with the internal peripheral clock (perclk) before data can be transmitted or received by the Rabbit. Depending on when the external serial clock is generated, in relation to perclk , it may take anywhere from 2 to 3 clock cycles for the external clock to be synchronized with the internal clock before any data can be transferred. Figure 12-6 shows the timing relationship among perclk , the external serial clock, and data transmit.

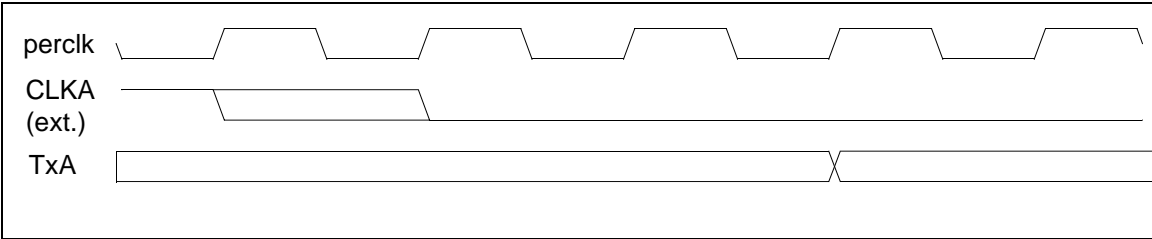


Figure 12-6. Synchronous Serial Data Transmit Timing with External Clock

Figure 12-7 shows the timing relationship among `perclk`, the external serial clock, and data receive. Note that `RxA` is sampled by the rising edge of `perclk`.

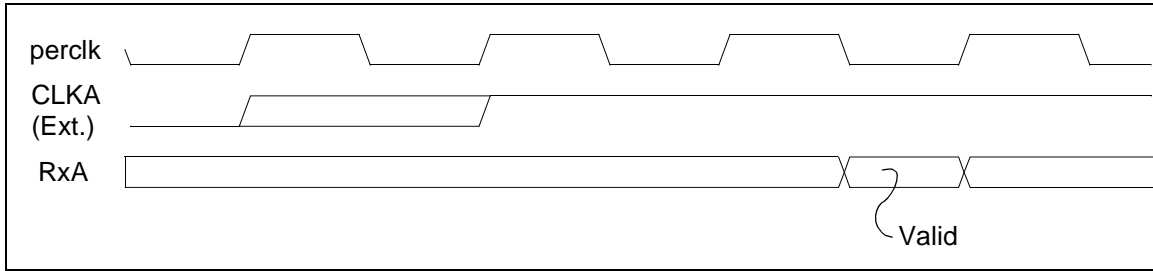


Figure 12-7. Synchronous Serial Data Receive Timing with External Clock

When clocking the Rabbit externally, the maximum serial clock frequency is limited by the amount of time required to synchronize the external clock with the Rabbit `perclk`. If we sum the maximum number of `perclk` cycles required to perform clock synchronization for each of the receive and transmit cases, then the fastest external serial clock frequency would be limited to `perclk/6`.

12.7 Serial Port Software Suggestions

The receiver and transmitter share the same interrupt vector, but it is possible to make the receive and transmit interrupt service routines (ISRs) separate by dispatching the interrupt to either of two different routines. This is desirable to make the ISR less complex and to reduce the interrupt off time. No interrupts will be lost since distinct interrupt flip-flops exist for receive and transmit. The dispatcher can test the receiver data register full bit to dispatch. If this bit is on, the interrupt is dispatched for receive, otherwise for transmit. The receiver receives first consideration because it must be serviced attentively or data could be lost.

The dispatcher might look as follows.

```

interrupt:
    PUSH AF          ; 10
    IOI LD A, (SCSR) ; 7 get status register serial port C
    OR A            ; 2 test sign bit
    JP M, receive   ; 7 go service the receive interrupt
    JP transmit     ; 7 (41 clocks to here) go service transmit interrupt

```

The individual interrupts would assume that register `AF` has been saved and the status register has been loaded into register `A`.

The interrupt service routines can, as a matter of good practice and obtaining optimum performance, remove the cause of the interrupt and re-enable the interrupts as soon as possible. This keeps the interrupt latency down and allows the fastest transmission speed on all serial ports.

All the serial ports will normally generate priority level 1 interrupts. In exceptional circumstances, one or more serial ports can be configured to use a higher priority interrupt. There is

an exception to be aware of when a serial port has to operate at an extremely high speed. At 115,200 bps, the highest speed of a PC serial port, the interrupts must be serviced in 10 baud times, or 86 μ s, in order not to lose the received characters. If all four serial ports were operating at this receive speed, it would be necessary to service the interrupt in less than 21.5 μ s to assure no lost characters. In addition, the time taken by other interrupts of equal or higher priority would have to be considered. A receiver service routine might appear as follows below. The byte at `bufptr` is used to address the buffer where data bits are stored. It is necessary to save and increment this byte because characters could be handled out of order if two receiver interrupts take place in quick succession.

```

receive:
    PUSH HL          ; 10 save hl
    PUSH DE          ; 10 save de
    LD HL,STRUCT     ; 6
    LD A,(HL)        ; 5 getin-pointer
    LD E,A           ; 2 save in pointer in e
    INC HL           ; 2 point to out-pointer
    CMP A,(HL)       ; 5 see if in-pointer=out-pointer (buffer full)
    JR Z,roverrun    ; 5 go fix up receiver over run
    INC A            ; 2 increment the in pointer
    AND A,MASK       ; 4 mask such as 11110000 if 16 buffer locs
    DEC HL           ; 2
    LD (HL),A        ; 6 update the in pointer
    IOI LD A,(SCDR) ; 11 get data register port C, clears interrupt request
    IPRES            ; 4 restore the interrupt priority

; 68 clocks to here
; to level before interrupt took place
; more interrupts could now take place,
; but receiver data is in registers
; now handle the rest of the receiver interrupt routine
    LD HL,BUFBASE    ; 6
    LD D,0           ; 6
    ADD HL,DE        ; 2 location to store data
    LD (HL),A        ; 6 put away the data byte
    POP DE           ; 7
    POP HL           ; 7
    POP AF           ; 7
    RET              ; 8 from interrupt

; 117 clocks to here

```

This routine gets the interrupts turned on in about 68 clocks or 3.5 μ s at a clock speed of 20 MHz. Although two characters may be handled out of order, this will be invisible to a higher level routine checking the status of the input buffer because all the interrupts will be completed before the higher level routine can perform a check on the buffer status.

A typical way to organize the buffers is to have an in-pointer and an out-pointer that increment through the addresses in the data buffer in a circular manner. The interrupt routine manipulates the in-pointer and the higher level routine manipulates the out-pointer. If the in-pointer equals the out-pointer, the buffer is considered full. If the out-pointer plus 1 equals the in-pointer, the buffer is empty. All increments are done in a circular fashion, most easily accomplished by making the buffer a power of two in length, then anding a mask after the increment. The actual memory address is the pointer plus a buffer base address.

12.7.1 Controlling an RS-485 Driver and Receiver

RS-485 uses a half-duplex method of communication. One station enables its driver and sends a message. After the message is complete, the station disables the driver and listens to the line for a reply. The driver must be enabled before the start bit is sent and not disabled until the stop bit has been sent. The transmitter idle interrupt is normally used to disable the RS-485 driver and possibly enable the receiver.

12.7.2 Transmitting Dummy Characters

It may be desired to operate the serial transmitter without actually sending any data. “Dummy” characters are transmitted to pass time or to measure time.

The output of the transmitter may be disconnected from the transmitter output pin by manipulating the control registers for parallel port C or D, which are used as output pins. For example, if serial port B is to be temporarily disconnected from its output pin, which is bit 4 of parallel port C, this can be done as follows.

1. Store a "1" in bit 4 of the parallel port data output register to provide the quiescent state of the drive line.
2. Clear bit 4 of the parallel port C function register so that the output no longer comes from the serial port. Of course, this should not be done until the transmitter is idle.

A similar procedure can be used if the serial port is set up to use alternate output pins on port D. Only serial ports A and B can use alternate outputs on parallel port D.

If an RS-485 driver is being used, dummy characters can be transmitted by disabling the driver after the stop bit has been sent. This is an alternative to the above procedure.

12.7.3 Transmitting and Detecting a Break

A break is created when the output of the transmitter is driven low for an extended period. If a break is received, it will appear as a series of characters filled with zeros and with the 9th bit detected low. This could only be confused with a legitimate message if a protocol using the 9th bit was in effect. Break is not usually used as a message in such protocols.

A break can be transmitted by transmitting a byte of zeros at a very slow baud rate. Another and probably better method is to disconnect the transmitter from the output pin, and use the parallel port bit to set the line low while sending dummy characters to time out the break.

The use of break as a signaling device should be avoided because it is slow, erratically supported by different types of hardware, and usually creates more problems than it solves.

12.7.4 Using A Serial Port to Generate a Periodic Interrupt

A serial port may be used to generate a periodic interrupt by continuously transmitting characters. Since the Tx output via parallel port C or D can be disabled, the transmitted characters are transmitted to nowhere. Because the character output path is double-buffered, there will be no gaps in the character transmission, and the interrupts will be exactly periodic. The interrupts can happen every 9, 10 or 11 baud times, depending on whether 7 or 8 bits are transmitted and on whether the 9th (8th) bit is sent.

12.7.5 Extra Stop Bits, Sending Parity, 9th Bit Communication Schemes

Some systems may require two stop bits. In some cases, it may be necessary to send a parity bit. Certain systems, such as some 8051-based multidrop communications systems, use a 9th data bit to mark the start of a message frame. The Rabbit 2000 can receive parity or message formats that contain a 9th bit without problem. Transmitting messages with parity or messages that always contain a 9th bit is also possible. It is quite easy to do so for byte formats that use only 7 data bits, in which case the 9th bit or parity bit is actually an 8th bit. Things are a little bit messy for the transmitter software if there are 8 data bits and a 9th parity or signaling bit is needed. Sending a 9th low bit is supported by hardware. Sending a 9th bit is easier with revisions A–C of the Rabbit 2000 chip, which have a long stop register as described in Section B.2.3. Sending a 9th bit in the original Rabbit 2000 chip as a high value required delaying the transmission of the next character by 1 baud, effectively providing the 9th bit high and a stop bit, which is the same as two stop bits.

Figure 12-8 illustrates the standard asynchronous serial output patterns.

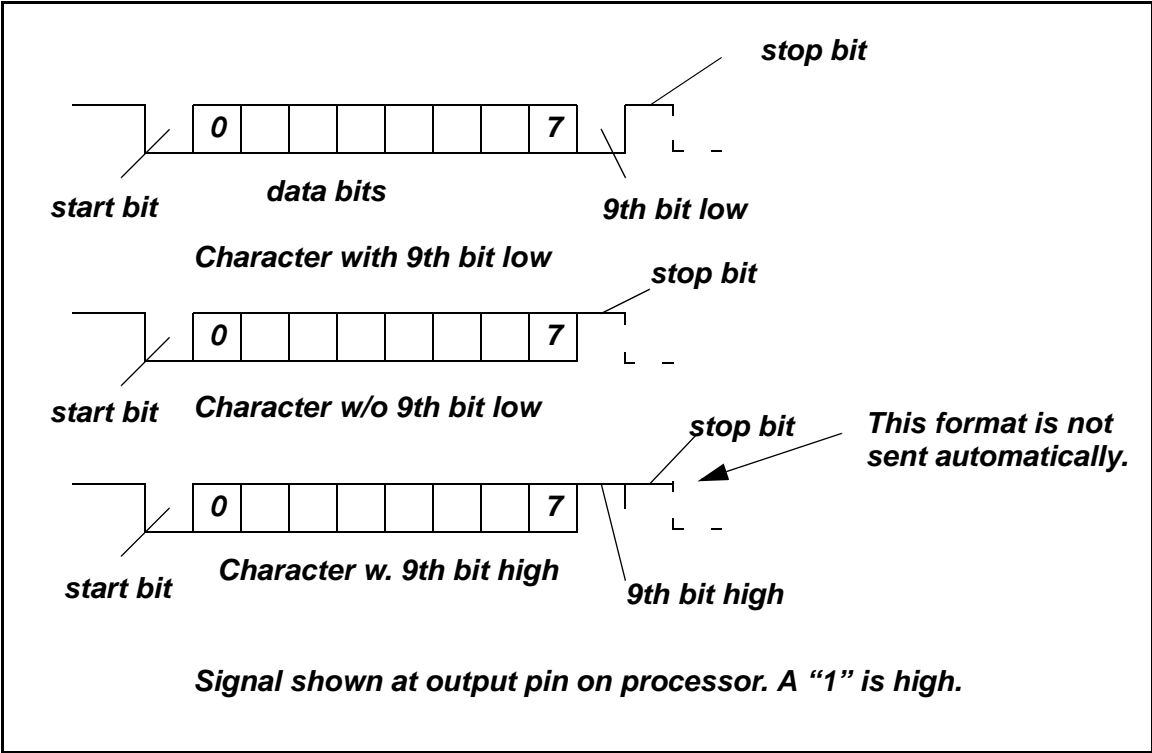


Figure 12-8. Asynchronous Serial Output Patterns

12.7.5.1 Parity, Extra Stop Bits with 7 Data Bit Characters

If only 7 data bits are being sent, the problem of sending an additional parity or signal bit is easily solved by sending 8 bits and always setting bit 7 (the eighth bit) of the byte to "1" or "0" depending on what is desired. No special precautions are needed if two stop bits are to be received. If parity is received with 7 data bits, receive the data as 8 bits, and the parity will be in the high bit of the byte.

12.7.5.2 Parity, Extra Stop Bits with 8 Data Bit Characters

In order to receive parity with 8 data bits, a check is made on each character for a 9th bit low. The 9th bit, or parity bit, is low if bit 6 of the serial port status register is set to a "1" after the character is received. If the 9th bit is not a zero, then the serial port treats it as an extra stop bit. So if the 9th bit low flag is not set, it should be assumed that the parity bit is a "1."

No special precautions are necessary to receive extra stop bits, nor does the serial port check for stop bits beyond one. If the first stop bit is missing, it is treated as a 9th (or 8th) bit low and will be received as a 9-bit (8-bit) character.

Sending a 9th bit or an extra stop bit is easier with revisions A–C of the Rabbit 2000 chip, which have a long stop register as described in Section B.2.3. It was more difficult to transmit an extra stop bit or a parity bit of value "1" with the original Rabbit 2000 chip. The difficulty arose because there is no one solution that applies to every case, although there is a solution for every case. To send an extra stop bit or parity bit of value "1" using the original Rabbit 2000 chip, it is necessary to delay sending the next character so that the stop bit will be extended to a length of at least 2 baud times. In order to delay the next character by an additional baud time, the program has to wait for the transmitter idle interrupt, which takes place after the data register empty interrupt. The data register ready interrupt request is terminated by writing to the status register. After the transmitter idle interrupt, which takes place at the trailing edge of the stop bit, the interrupt routine must not load the next character for another baud time, for example, 8.6 μ s at 115,200 bps or 104 μ s at 9600 bps. At the highest baud rates it makes sense to use a busy wait loop in the interrupt routine to time out a baud step before loading the data register with the next character. The busy wait loop may be very brief since the delay can be partially made up from the time used to save the registers on entry to the interrupt and the time used in fetching the next character to be sent from the transmit buffer. Of course the busy wait loop runs on the processor clock, which is subject to being throttled up and down, so the loop count must be coordinated with the current processor speed.

A busy wait loop can still be used at slower baud rates, but then there will be a deleterious effect on the interrupt latency unless interrupts are re-enabled in the interrupt routine. This can certainly be done provided that the receiver and transmitter interrupts are properly dispatched to separate routines because the receiver and transmitter interrupts share the same interrupt vector. In addition, when interrupts are re-enabled in the interrupt routine, there must be coordination with the real-time kernel or the operating system (if there is one). This coordination typically involves a nesting count of interrupt routines that must be adjusted by each interrupt routine that re-enables interrupts before it returns. If a busy wait loop is used, it can be expected to consume around 10% of the processors compute time while characters are being transmitted, since it is doing busy waiting for 1 baud out of 11 baud times for each character sent. Using the transmitter idle interrupt to request the next character will result in gaps between characters that can be as long as the worst-case interrupt latency. Most applications are not bothered by gaps between characters, but certain

applications such as Modbus require controlling gaps between characters. Thus, it would be inadvisable to attempt Modbus with parity at a high data rate.

Other ways to add a 1-baud delay are listed below:

- Use another serial port as a timer. Disable the interrupts on the port being used to transmit and, at the same time the data register is loaded, load a dummy character and a 9th bit in the other serial port. The interrupt in the auxiliary port will occur after 11 baud times rather than 10 baud times, thus guaranteeing the stop bit its full time.
- Send a full dummy character to create a very long stop bit. To avoid the long stop bit, the baud timer can be speeded up while the dummy character is sent to reduce the length of the extra stop bit. The synchronous nature of timers A4–A7 allows the divide ratio to be increased or decreased at will without generating irregular clock pulses.
- Use a timer interrupt to generate the extra 1-baud delay between characters. The interrupts can be enabled for the same timer that was used to generate the baud clock, and the timer can be slowed down so that one cycle is equal to the delay length needed.
- Use serial ports A and B, which have synchronous capability, to send a character in synchronous mode (output Tx disabled). The synchronous character is sent at a baud rate 8 times greater than the asynchronous baud rate, giving an additional baud time. For this to work, the pin used for the synchronous clock out (port B bits 0 or 1) must either be unconnected or connected to something that can tolerate a burst of 8 clock pulses.

12.7.6 Supporting 9th Bit Communication Protocols

This section describes how 9th bit communication protocols work. 9th bit communication protocols are supported by processors such as the 8051 and the Z180, and by companies such as Cimentrics Technology. The data bytes have an extra 9th bit appended where a parity bit would normally be placed. Requests from the network master to one of its slaves consist of a frame of bytes—the first byte has the 9th bit set to "1" (as the signal is observed at the Tx pin of the processor) and the following bytes have the 9th bit set to "0." The first byte is identified as the address byte, which specifies the slave unit where the message is directed. This enables a slave to find the start of a message, which is the byte with the 9th bit set, and to determine if the message is directed to it. If the message is directed to a particular slave, the slave will then read the characters in the rest of the message; otherwise the slave will continue to scan for a start of message character containing its address.

Normally the 9th bit is set to "1" only on the first byte of a request transmitted by the network master. The subsequent bytes and the slave replies have the 9th bit set to zero. Since the majority of the traffic has a 9th bit set low, it is only necessary to stretch the stop bit for the first bytes or address bytes. This can be done without sacrificing performance by sending a dummy character (transmitter disconnected) after the address byte.

Some microprocessor serial ports have a "wake up" mode of operation. In this mode, characters without the 9th bit set to "1" are ignored, and no interrupt is generated. When the start of a frame is detected, an interrupt takes place on that byte. If the byte contains the

address of the slave, then the “wake up” mode is turned off so that the remaining characters in the frame can be read. This scheme reduces the overhead associated with messages directed to other slaves, but it does not really help with the worst-case load. In most cases, the worst-case compute load is the governing factor for embedded systems. In addition, it is quite easy for the interrupt driver to dismiss characters not directed to the system. For these reasons, the “wake up” mode was not implemented for the Rabbit.

The 9th bit protocols suffer from a major problem that the IBM-PC uarts can support the 9th bit only by using special drivers.

12.7.7 Rabbit-Only Master/Slave Protocol

If only Rabbit microprocessors are connected, the 9th bit low can be set on the address byte, and the remaining bytes can be transmitted in the normal 8-bit mode. This is more efficient than other 9th bit protocols because only the first byte requires 11 baud times; the remaining bytes are transmitted in 10 baud times.

12.7.8 Data Framing/Modbus

Some protocols, for example, Modbus, depend on a gap in the data frame to detect the beginning of the next frame. The 9th bit protocol is another way to detect the start of a data frame.

The Modbus protocol requires that data frames begin with a minimum 3.5-character quiet time. The receiver uses this 3.5-character gap to detect the start of a frame. In order for the receiving interrupt service routine to detect this gap, it is suggested that dummy characters be transmitted to help detect the gap. This can be done in the following manner. The transmitter starts transmitting dummy characters when the first character interrupt is received. Each time there is an interrupt, either receiver data register full or transmitter data register empty, a dummy character is transmitted if the transmitter data register is empty. Although the transmitter and receiver operate at approximately the same baud rate, there can be a difference of up to about 5% between their baud rates. Thus the receiver full and transmitter empty interrupts will become out of phase with each other, assuming that the remote station transmits without gaps between characters. A counter is zeroed each time a character is received, and the counter is incremented each time a character is transmitted. If this counter holds (n), this indicates that a gap has been detected in the frame; the length of the gap is (n - 1) to (n) characters. The start of frame could be marked by (n) reaching 3, indicating that the existence of a gap at least two characters long.

13. RABBIT SLAVE PORT

When a Rabbit microprocessor is configured as a slave, parallel port A and certain other data lines are used as communication lines between the *slave* and the *master*. The slave unit is a Rabbit configured as a slave. The master can be another Rabbit or any other type of processor. Rabbits configured as slaves can themselves have slaves.

The master and slave communicate with each other via the slave port. The slave port is a physical device that includes data registers, a data bus, and various handshaking lines. The slave port is a part of the slave Rabbit, but logically it is an independent device that is used to communicate between the two processors. Figure 13-1 shows a diagram of the slave port.

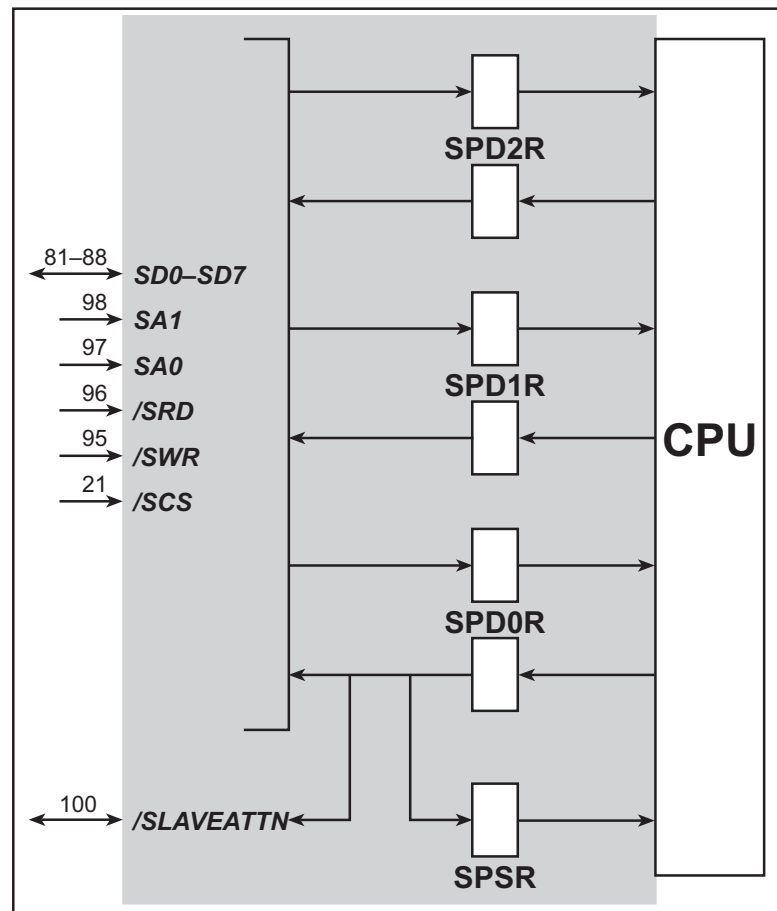


Figure 13-1. Rabbit Slave Port

The slave port has three data registers for each direction of communication. Three registers, SPD0R, SPD1R, and SPD2R, can be written by the master and read by the slave. Three different registers, also named SPD0R, SPD1R, and SPD2R, can be written by the slave and read by the master. The same names are used for different registers since it is usually clear from the context which register is meant. If it is necessary to distinguish between registers, we will refer to the registers as “SPD0R writable by the slave” or “SPD0R writable by the master.”

A status register can be read by either the slave or the master. The status register has full/empty bits for each of the six registers. A data register is considered *full* when it is written to by whichever side is capable of writing to it. If the same register is then read by either side it is considered to be *empty*. The flag for that register is thus set to a "1" when the register is written to, and the flag is set to a "0" when the register is read.

The registers appear to be internal I/O registers to the slave. To the master, at least for a Rabbit master, the registers appear to be external I/O registers. The figure below shows the sequence of events when the master reads/writes the slave port registers.

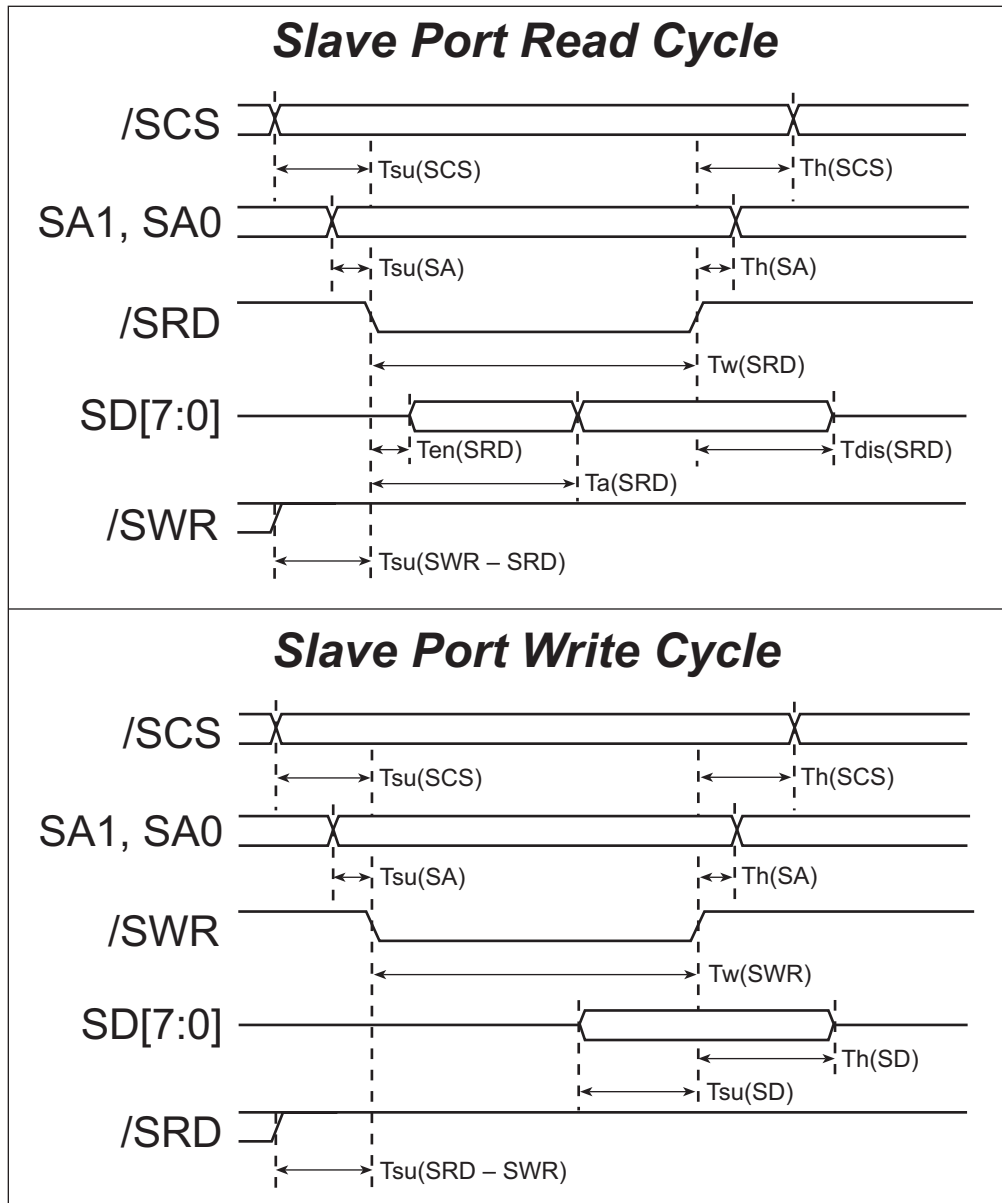


Figure 13-2. Slave Port R/W Sequencing

The following table explains the parameters used in Figure 13-2.

Symbol	Parameter	Minimum (ns)	Maximum (ns)
Tsu(SCS)	/SCS Setup Time	5	—
Th(SCS)	/SCS Hold Time	0	—
Tsu(SA)	SA Setup Time	5	—
Th(SA)	SA Hold Time	0	—
Tw(SRD)	/SRD Low Pulse Width	40	—
Ten(SRD)	/SRD to SD Enable Time	0	—
Ta(SRD)	/SRD to SD Access Time	—	30
Tdis(SRD)	/SRD to SD Disable Time	—	15
Tsu(SRW – SRD)	/SWR High to /SRD Low Setup Time	40	—
Tw(SWR)	/SWR Low Pulse Width	40	—
Tsu(SD)	SD Setup Time	10	—
Th(SD)	SD Hold Time	5	—
Tsu(SRD – SWR)	/SRD High to /SWR Low Setup Time	40	—

The two SPDOR registers have special functionality not shared by the other data registers. If the master writes to SPDOR, an inbound interrupt flip-flop is set. If slave port interrupts are enabled, the slave processor will take a slave port interrupt. If the slave writes to the other SPDOR register, the slave attention line (/SLAVEATTN, pin 100) is asserted (driven low) by the slave processor. This line can be used to create an interrupt in the master. Either side that is interrupted can clear the signal that is causing an interrupt request by writing to the slave port status register. The data bits are ignored, but the flip-flop that is the source of the interrupt request is cleared. Figure 13-3 shows a logical schematic of this functionality.

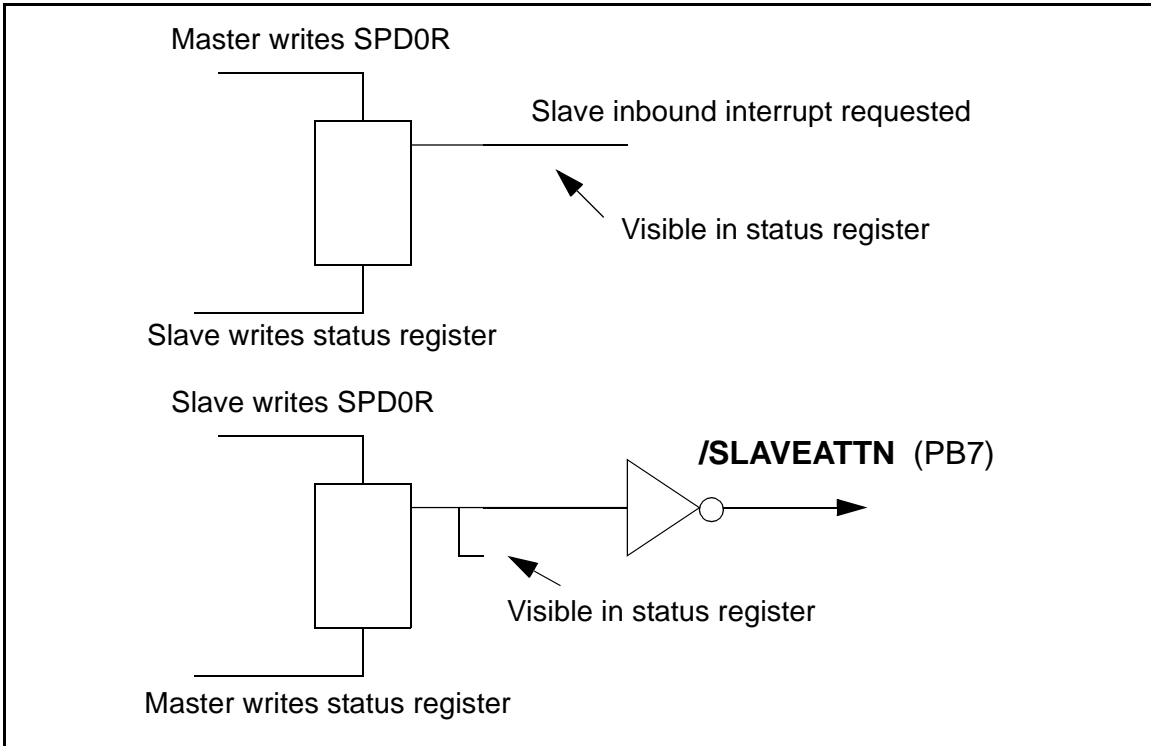


Figure 13-3. Slave Port Handshaking and Interrupts

Figure 13-4 shows a sample connection of two slave Rabbits to a master Rabbit. The master drives the slave reset line for both slaves and provides the main processor clock from its own clock. There is no requirement that the master and slave share a clock, but doing so makes it unnecessary to connect a crystal to the slaves. Each Rabbit in Figure 13-4 has to have RAM memory. The master must also have flash memory. However, the slaves do not need nonvolatile memory since the master can cold boot them over the slave port and download their program. In order for this to happen, the SMODE0 and SMODE1 pins must be properly configured as shown in Figure 13-4 to begin a cold boot process at the end of the slave reset.

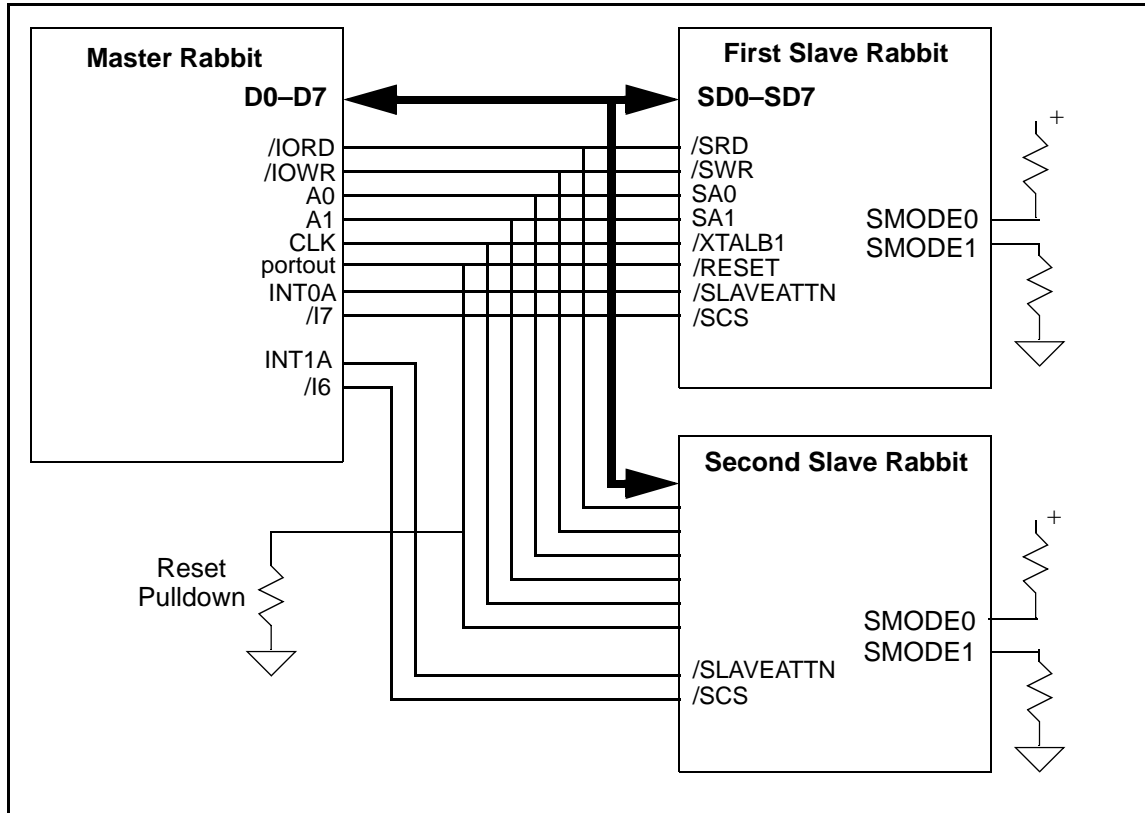


Figure 13-4. Typical Connection Slave Rabbit to Master Rabbit

The slave port lines are shown in Figure 13-1. The function of these lines is described below.

- **SD0–SD7**—These are bidirectional data lines, and are generally connected to the data bus of the master processor. Multiple slaves can be connected to the data bus. The slave drives the data lines only when **/SCS** and **/SRD** are both pulled low.
- **SA1, SA0**—These are address lines used to select one of the four data registers of the slave interface. Normally these lines are connected to the low-order address lines of the master. The master always drives these lines which are always inputs to the slave.
- **/SCS**—Input. Slave chip select. The slave ignores read or write requests unless the chip select is low. If a Rabbit is used as a master, this line can be connected to one of the master’s programmable chip select lines **/I0–I7**.
- **/SRD**—Input. If **/SCS** is also low, this line pulled low causes the contents of the register selected by the address lines to be driven on the data bus. If a Rabbit is used as a master, this line is normally connected to the global I/O read strobe **/IORD**.
- **/SWR**—Input. If **/SCS** is also low, this line causes the data bits on the data bus to be clocked into the register selected by the address lines on the rising edge of **/SWR** or **/SCS**, whichever rises first. If a Rabbit is used as a master, this line is normally connected to the global I/O write strobe **/IOWR**.

- /SLAVEATTN—This line is set low (asserted) if the slave writes to the SPD0R register. This line is set high if the master writes anything to the slave status register. This line is usually connected to cause the master to be interrupted when it goes low.

The data lines of the slave port are shared with parallel port A that uses the same package pins. The slave port can be enabled, and parallel port A be disabled, by storing an appropriate code in the slave port control register (SCR). After the processor is reset, all the pins belonging to the slave interface are configured as parallel-port inputs unless (SMODE1, SMODE0) are set to (0,1), in which case the slave port is enabled after reset and the slave starts the cold-boot sequence using the slave port.

13.1 Hardware Design of Slave Port Interconnection

Figure 13-4 shows a typical circuit diagram for connecting two slave Rabbits to a master Rabbit. The designer has the option of cold-booting the slave and downloading the program to RAM on each cold start. Another option is to configure the slave with both RAM and flash memory. In this case, the slave will only have the program downloaded for maintenance or upgrades. Usually, the flash would not be written to on every startup because of the limited number of lifetime writes to flash memory. The slaves' reset in Figure 13-4 is under the program control of the master. If the master is reset, the slave will also be reset because the master's drive of the reset line will be lost on reset and the pull-down resistor will pull the slaves' resets low. This may be undesirable because it forces the slave to crash if the master crashes and has a watchdog timeout.

13.2 Slave Port Registers

The slave port registers are listed in Table 13-1. These registers, each of which is actually two separate registers, one for read and one for write, are accessible to the slave at the I/O addresses shown in the table and they are accessible to the master at the external address shown which specifies the value of the slave address (SA0, SA1) input to the slave when the master reads or writes the registers. The register that can be written by the slave can only be read by the master and vice versa. If one side were to attempt to read a register at the same time that the other side attempted to write the register the result of the read could be scrambled. However, the protocols and handshaking bits used in communication are normally such that this never happens.

Table 13-1. Slave Port Registers

Register	Mnemonic	Internal Address	External Address
Slave Port Data x Register	SPD0R	0x20	0
	SPD1R	0x21	1
	SPD2R	0x22	2
Slave Port Status Register	SPSR	0x23	3
Slave Port Control Register	SPCR	0x24	N.A.

If the user for some reason wants to depart from the suggested protocols and poll a register while waiting for the other side to write something to the register, the user should be aware that all the bits might not change at the exact same time when the result changes, and a transitional value could be read from the register where some bits have changed to the new value and others have not. To avoid being confused by a transitional value, the user can read the register twice and make sure both values are the same before accepting the value, or the user can test only one bit for a change. The transitional value can only exist for one read of the register, and each bit will have its old value change to the new value at some point without wavering back and forth. The existence of a transitional value could be very rare and has the potential to create a bug that happens often enough to be serious, but so infrequently as to be difficult to diagnose. Thus, the user is cautioned to avoid this situation.

Table 13-2 describes the slave port control register.

Table 13-2. Slave Port Control Register (SPCR) (adr = 0x024)

Bit 7 w/o	Bits 6,5 R/O	Bit 4	Bit 3,2 w/o	Bits 1,0 w/o
0—obey SMODE pins 1—ignore SMODE pins	Reads SMODE pins smode1,smode0	x	00—disable slave port, port A is a byte wide input port 01—disable slave port, port A is a byte wide output port 1x—enable the slave port	00—no slave interrupt pp—enable slave port interrupt priority 1–3.

The functionality of the bits is as follows:

Bit 7—If set to "0," the cold-boot feature will be enabled. Normally this bit is set to a "1" after the cold boot is complete. The cold boot for the slave port is enabled automatically if (SMODE1, SMODE0) lines are set to (0,1) after the reset ends. This feature disables the normal operation of the processor and causes commands to be accepted via the slave port register SPD0R. These commands cause data to be stored in memory or I/O space. When the master that is managing the cold boot has finished setting up memory and I/O space, the (SMODE1, SMODE0) pins are changed to code (0,0), which causes execution to start at address zero. Typically this will start execution of a secondary boot program. At some point, bit 7 will be set to a "1" so that the SMODEx pins can be used as normal input pins.

Bits 6,5—May be used to read the input pins SMODE, SMODE0.

Bits 3,2—Bit 3 enables the slave port when set to a "1," disabling parallel port A and various other port lines. Bit 3 is automatically set to a "1" if a cold boot is done via the slave port. If bit 3 is "0," then bit 2 controls whether parallel port A is an input (bit 2 = 0) or an output (bit 2 = 1).

Bits 1,0—This 2-bit field sets the priority of the slave port interrupt. The interrupt is disabled by (0,0).

Table 13-3 describes the slave port status register. The status register has 6 bits that are set if the particular register is full. That means that the register has been written by the processor that can write to it but it has not been read by the processor that can read it. The bits for SPD0R are used to control the slave interrupt and the handshaking lines as shown in Figure 13-3.

Table 13-3. Slave Port Status Register (SPSR) (adr = 0x023)

Bit 7	Bit 6	Bit 5	Bit 4	Bit 3	Bit 2	Bit 1	Bit 0
1—set by master write to SPD0R. Cleared by slave write to SPSR.	1—set by master write to SPD2R. Cleared when slave reads register.	1—set by master write to SPD1R. Cleared when slave reads register.	1—set by master write to SPD0R. Cleared when slave reads register.	1—set by slave write to SPD0R. Cleared by master write to SPSR.	1—set by slave write to SPD2R. Cleared when master reads register.	1—set by slave write to SPD1R. Cleared when master reads register.	1—set by slave write to SPD0R. Cleared when master reads register.

13.3 Applications and Communications Protocols for Slaves

The communications protocol used with the slave port depends on the application. A slave processor may be used for various reasons. Some possible applications are listed below.

Keep in mind that the Rabbit can also be operated as a slave processor via a serial port and some of the protocols will work well via a serial communications connection. If a serial connection is used, the protocol becomes more complicated if errors in transmission need to be taken into account. If the physical link can be controlled so that transmission errors do not occur, a realistic possibility if the interconnection environment is controlled, the serial protocol is simpler and faster than if error correction needs to be taken into account.

13.3.1 Slave Applications

- **Motion Controller**—Many types of motion control require fast action, may be compute-intensive or both. Traditional servo system solutions may be overly expensive or not work very well because of system nonlinearities. The basic communications model for a motion controller is for the master to send short messages—positioning commands—to the slave. The slave acknowledges execution of the commands and reports exception conditions.
- **Communications Protocol Processor**—Communications protocols may be very complex, may require fast responses, or may be compute-intensive.
- **Graphics Controller**—The Rabbit can be used to perform operations such as drawing geometric figures and generating characters.
- **Digital Signal Processing**—Although the Rabbit is not a speciality digital signal processor, it has enough compute speed to handle some types of jobs that might otherwise require a speciality processor. The slave processor can process data to perform pattern recognition or to extract a specific parameter from a data stream.

13.3.2 Master-Slave Messaging Protocol

In this protocol the master sends messages to the slave and receives an acknowledgement message. The protocol can be polled or interrupt driven. Generally, the master sends a message that has a message type code, perhaps a byte count, and the text of the message. The slave responds with a similar message as an acknowledgement. Nothing happens unless the master sends a message. The slave is not allowed to initiate a message, but the slave could signal the master by using a parallel port line other than /SLAVEATTN or by placing data in one of the registers the master can read without interfering with the message protocol.

The master sends a message byte by storing it in SPDOR. The slave notices that SPDOR is full and reads the byte. When the master notices that SPDOR is empty because the slave read it, the master stores the next byte in SPDOR. Either side can tell if any register is empty or full by reading the status register. When the slave acknowledges the message with a reply message, the process is reversed. To perform the protocol with interrupts, a slave interrupt can be generated each time the slave receives a character. The slave can acknowledge the master by reading SPDOR if the master is polling for the slave response to each character. If the master is to be interrupted to acknowledge each character, the slave can create an interrupt in the master by storing a dummy character in SPDOR to create a master interrupt, assuming that the /SLAVEATTN line is wired to interrupt the master. The acknowledgement message works in a similar manner, except that the master writes a dummy character to interrupt the slave to say that it has the character.

Several problems can arise if there are dual interrupts for each character transmitted. One problem is that the message transmission rate will free run at a speed limited by the interrupt latency and compute speed of each processor. This could consume a high percentage of the compute resources of one or both processors, starving other processes and especially interrupt routines, for compute time. If this is a problem, then a timed interrupt can be used to drive the process on one side, thus limiting the data transmission rate.

Another solution, which may be better than limiting the transmission rate, is to use interrupts only for the first byte of the message on the slave side, and then lower the interrupt priority and conduct the rest of the transaction as a polled transaction. On the master side the entire transaction can be a polled transaction. In this case, the entire transaction takes place in the interrupt routine on the slave, but other interrupts are not inhibited since the priority has been lowered.

A typical slave system consists of a Rabbit microprocessor and a RAM memory connected to it. The clock can be provided either by connecting a crystal, or crystals to the slave or by providing an external clock, which could be the master's clock. The reset line of the slave would normally be driven by the master. At system startup time the master resets the slave and cold boots it via the slave port. (The SMODE pins must be configured for this.) Once the software is loaded into the slave, the slave can begin to perform its function.

As a simple example, suppose that the slave is to be used as a four-port UART. It has the capability to send or receive characters on any of its four serial ports. Leaving aside the question of setup for parameters, such as the baud rate, we could define a protocol as follows.

SPD0R readable by master is a status register with bits indicating which of the four receivers and four transmitters is ready, that is, has a character received or is ready to send a character.

SPD0R writable by the master is a control register used to send commands to the slave.

SPD1R is used to send or receive data characters or control bytes.

The line /SLAVEATTN is wired to the external interrupt request of the master so that the master is interrupted when the slave writes to SPD0R. Typically the slave will write to SPD0R when there is a change of status on one of the serial ports.

The slave can interrupt the master at any time by storing to SPD0R. It will do this every time an enabled transmitter is ready to accept a character or every time an enabled receiver receives a character. When it stores to SPD0R, it will store a code indicating the reason for the interrupt, that is, receive or transmit and channel number. If the cause is receive, the received character will also be placed in SPD1R writable by the slave. When the master is interrupted for any reason, the master will sneak a peek at SPD0R by reading SPSR. If the interrupt is caused by a receive character, it will remove the character from SPD1R and read SPD0R to handshake with the slave.

If the master is interrupted for transmitter ready, as determined by the sneak peek, it will place the outgoing character in SPD1R and write a code to SPD0R indicating transmit and channel number. This will cause the slave to be interrupted, and the slave will take the character and handshake by reading SPD0R. This handshake does not interrupt the master.

14. RABBIT 2000 CLOCKS

The Rabbit 2000 has two built-in oscillators. The 32.768 kHz clock oscillator is needed for the battery-backable clock, the watchdog timer, and the cold-boot function. The main oscillator provides the run-time clock for the microprocessor. Figure 14-1 shows these oscillator circuits.

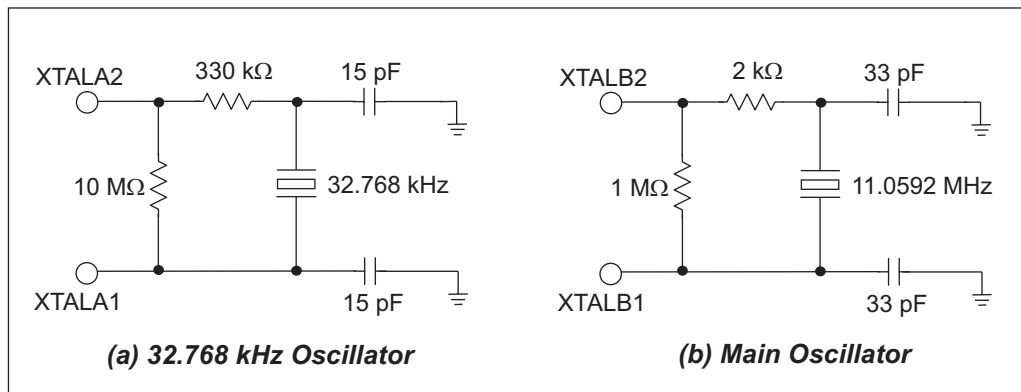


Figure 14-1. Rabbit 2000 Oscillator Circuits

The 32.768 kHz oscillator is slow to start oscillating after power-on. For this reason, a wait loop in the BIOS waits until this oscillator is oscillating regularly before continuing the startup procedure. If the clock is battery-backed, there will be no startup delay since the oscillator is already oscillating. The startup delay may be as much as 5 seconds. Crystals with low series resistance ($R < 35 \text{ k}\Omega$) will start faster. The required oscillator circuit is shown in Figure 14-1(a).

Improvements were made in revisions A–C to reduce the internal power consumption of the RTC circuit. In addition, external circuitry was introduced to further reduce the oscillator power consumption in board-level products based on the Rabbit 2000. Refer to Section B.2.4 for more information.

14.1 Low-Power Design

The power consumption is proportional to the clock frequency and to the square of the operating voltage. Thus, operating at 3.3 V instead of 5 V will reduce the power consumption by a factor of $10.9/25$, or 43% of the power required at 5 V. The clock speed is reduced proportionally to the voltage at the lower operating voltage. Thus the clock speed at 3.3 V will be about $2/3$ of the clock speed at 5 V. The operating current is reduced in proportion to the operating voltage.

The Rabbit 2000 does not have a "standby" mode that some microprocessors have. Instead, the Rabbit has the ability to switch its clock to the 32.768 kHz oscillator. This is called the *sleepy* mode. When this is done, the power consumption is decreased dramatically. The current consumption is often reduced to the region of 100 μA at this clock speed. The Rabbit executes about 6 instructions per millisecond at this low clock speed. Generally, when the speed is reduced to this extent, the Rabbit will be in a tight polling loop looking for an event that will wake it up. The clock speed is increased to wake up the Rabbit.

14.2 Clock Spectrum Spreader Module

The clock spectrum spreader is a feature that was introduced on the Rabbit 3000 and migrated to revisions B and C of the Rabbit 2000. The clock spectrum spreader is very effective for reducing EMI and radiated emissions because it will reduce all sources of EMI above 100 MHz that are related to the clock by about 15 dB. See Section B.2.12 for more information.

15. AC TIMING SPECIFICATIONS

The Rabbit 2000 processor may be operated at voltages between 2.5 V and 5.5 V, and at temperatures from -40°C to $+85^{\circ}\text{C}$ with use possible over the range -55°C to $+120^{\circ}\text{C}$. Most users will operate the Rabbit at either 5.0 V or 3.3 V. The most computation per watt is obtained at approximately 3.3 V. The highest practical speed is usually obtained at 5 V.

The Rabbit is available in one version, which has a maximum clock speed of 29.4 MHz over the industrial temperature range of -40°C to $+85^{\circ}\text{C}$. The R30 has a maximum clock speed of 18.9 MHz at $3.3\text{ V} \pm 10\%$. The maximum clock speed is 11.5 MHz at 2.5 V.

If a half-speed crystal is used with the clock doubler to achieve the desired clock speed, the maximum clock speed must be reduced by 4% to allow for an up to 4% asymmetry (52/48) in the waveform generated by the oscillator. This is because the clock doubler uses the intermediate edge to generate the double frequency. If the clock doubler is used to double 14.7456 MHz to 29.4912 MHz, the operating temperature should be limited to 70°C .

To optimize power consumption, the usual strategy is to use a supply voltage between 3 V and 3.5 V, and the clock speed should be adjusted downward as far as feasible. This will give the maximum computation per watt.

Table 15-1. Rabbit Basic Worst-Case Timings

	2.50 V min. -40°C– $+85^{\circ}\text{C}$	$3.3\text{ V} \pm 10\%$ -40°C– $+85^{\circ}\text{C}$	$3.3\text{V} \pm 5\%$ -40°C– $+70^{\circ}\text{C}$	$5.0\text{ V} \pm 10\%$ -40°C– $+85^{\circ}\text{C}$	$5.0\text{ V} \pm 5\%$ -40°C– $+70^{\circ}\text{C}$
Maximum clock speed	11.5 MHz	17.5 MHz	19.25 MHz	29.5 MHz	31.5 MHz
Maximum clock speed generated using clock doubler	11.06 MHz	16.75 MHz	18.5 MHz	28.5 MHz	30.0 MHz
T_{adr} output delay with 20 pF address line load	15 ns	11 ns	10 ns	8 ns	7 ns
T_{adr} output delay with 70 pF address line load	27 ns	21 ns	19 ns	15 ns	14 ns
T_{setup}	4 ns	4 ns	3 ns	3 ns	2 ns
T_{oe} delay from clock to output enable (10 pF load)	12 ns	8 ns	8 ns	6 ns	5 ns

2001.01.31

The industrial clock speed values in Table 15-1 (at a maximum temperature of 85°C) are improved by 7% over commercial ratings at 70°C (which are extended to -40°C here). The effect of temperature alone is a clock speed that is approximately 1.2% lower for each 5°C temperature increase. The maximum clock speed is approximately directly proportional to the operating voltage.

If serial communication is to be used at standard baud rates, then certain clock speeds must be used. These clock speeds are usually multiples of 1.8432 MHz to ensure that baud rates of 57,600 bps, 19,200 bps, and less will be available. Multiples of 3.6862 MHz ensure that baud rates of 115,200 bps, 38,400 bps, and less will be available. Multiples of 1.2288 MHz ensure that baud rates of 38,400 bps and less will be available. The standard Rabbit BIOS will accept any clock speed that is a multiple of 0.6144 MHz.

The graphs in Figure 15-1 and Figure 15-2 illustrate the maximum clock speed at which no failure is detected for a typical Rabbit 2000 as the voltage and temperature are varied. The official design specifications specify a lower maximum frequency to allow for process variation.

The die suffers significant self-heating at higher clock speeds. The die to ambient thermal impedance is 44°C/W at zero air flow. At 5 V and a current consumption of 65 mA, this would result in about 15°C of self-heating, and would reduce the maximum clock speed by approximately 3%. This reduction is included in Table 15-2, which provides the memory access time requirements.

When interfacing to memory devices, the memory access time required for a directly interfaced memory is given by:

$$\text{access time} = (\text{clock period}) * (2 + \text{wait states}) - T_{\text{setup}} - T_{\text{adr}} \quad (1)$$

where T_{adr} is the delay between the rising edge of T_1 and address valid, and T_{setup} is the data setup time relative to the clock. T_{adr} and T_{setup} are shown in Figure 15-3 to Figure 15-4 for memory read/write and I/O read/write cycles. Most 5 V memories are TTL compatible in that they switch at 0.8 V and 2.0 V. T_{setup} is specified from the point at which the input voltage reaches 30% or 70% of VDD for falling and rising signals respectively. T_{oe} is specified for the time from the clock that is required for the signal to reach 0.8 V.

The T_{adr} measured was the time required for the signal to fall from a high level to 0.8 V. T_{adr} depends on the bus loading—address line A0 has a more powerful driver and can handle double the capacitance with the same delay times. The T_{adr} times also apply to the memory chip select lines.

The formula in Equation (1) remains true if the clock doubler is used, except that the access time must be reduced by 4% of one clock period if there is an odd number of wait states. The length of the T_{oe} pulse is subjected to a reduction of up to 4% if the clock doubler is used.

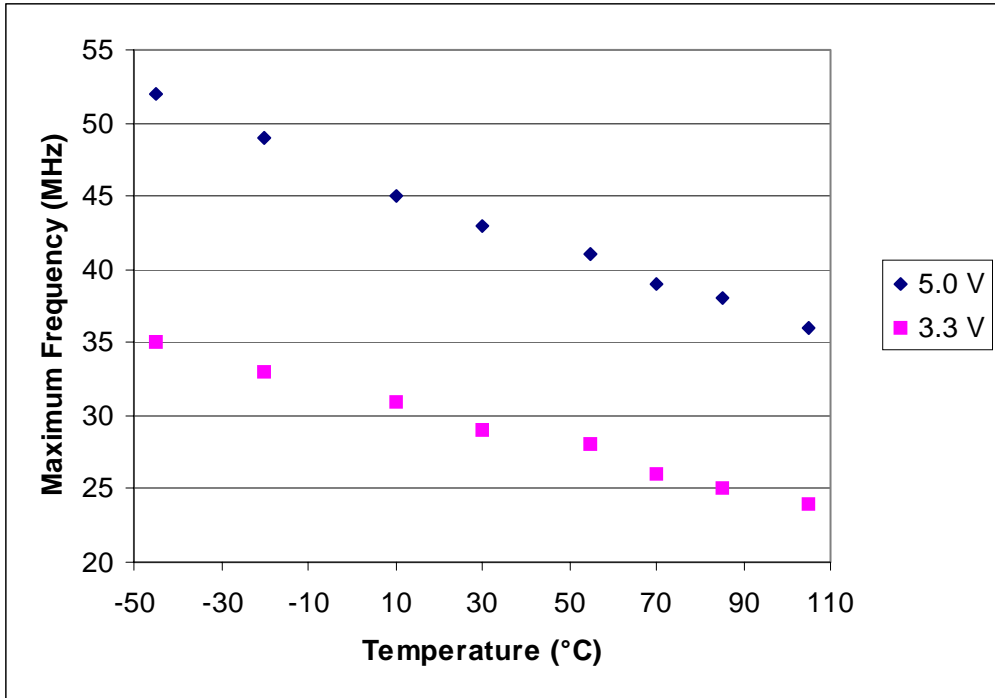


Figure 15-1. Rabbit 2000 Typical Maximum Operating Frequency versus Temperature at 5 V and 3.3 V

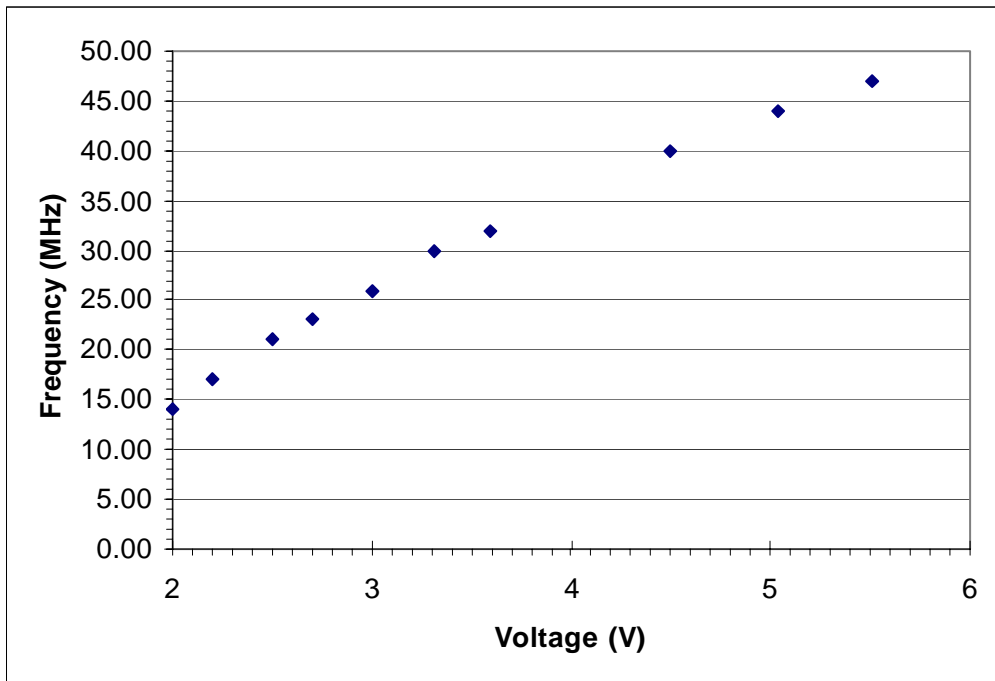


Figure 15-2. Rabbit 2000 Typical Maximum Operating Frequency versus Voltage at 25°C

15.1 Memory Access and I/O Read/Write Times

The memory access time requirements are listed in Table 15-2. It is important that wait states should not be used for any memory that holds code that is being executed. Memory wait states are only intended for use with data accesses. For code memory the clock should be matched to the memory requirements, or one of the clock dividers should be enabled to accommodate slow memory. As a rough guide, each data memory wait state in main RAM that is introduced will reduce the average compute performance by approximately 8%.

The data memory read access is slowed by 50% for 1 wait state and is slowed by 100% for 2 wait states. However, since only a small proportion of accesses are data accesses rather than code accesses or instruction fetch cycles, the overall affect on performance is slight. If data memory wait states are introduced, it is important to use the macros specified in the BIOS so that the compiler will be aware of the wait states.

Generally, the maximum operating speed is proportional to the power supply voltage. The operating current is proportional to the voltage, and so the operating power is proportional to the square of the voltage. The operating power is also proportional to the clock speed. Higher temperatures reduce the maximum operating speed by approximately 1% for each 5°C. In addition, higher operating speeds increase the die temperature because of the heat generated and therefore slightly compound the adverse effects of higher temperature.

Table 15-2. Memory Access Time Requirements ($V_{\pm 5\%}$, $T -40^{\circ}\text{C}$ to $+70^{\circ}\text{C}$)

Clock Speed (MHz)	Period (ns)	Wait States	Memory Access Time @5 V 20 pF Load (ns)	Memory Access Time @5 V 70 pF Load (ns)	Maximum PC-Compatible Baud Rate (bps)
29.4912	34	0	59	52	921,600
27.6480	36.2	0	64	57	57,600
25.8048	38.7	0	69	62	115,200
25.8048	38.7	1	108	101	115,200
25.8048	38.7	2	147	140	115,200
24.576	40.7	0	73	66	38,400
23.9616	41.7	0	75	68	57,600
22.1184	45.2	0	82	75	230,400
22.1184	45.2	1	127	120	230,400
22.1184	45.2	2	173	165	230,400
20.2752	49.3	0	90	83	57,600
18.432	54.2	0	100 @ 5 V 96 @ 3.3 V	93 @ 5 V 87 @ 3.3 V	115,200
14.7456	67.8	0	127 @ 5 V/ 123 @ 3.3 V	120 @ 5 V/ 114 @ 3.3 V	460,800
14.7456	67.8	1	197 @ 5 V/ 193 @ 3.3 V	190 @ 5 V/ 184 @ 3.3 V	460,800
11.0592	90.5	0	172 @ 5 V 168 @ 3.3 V 162 @ 2.5 V(min)	165 @ 5 V/ 159 @ 3.3 V 150 @ 2.5 V(min)	115,200
7.3728	135.6	0	263 @ 5 V/ 259 @ 3.3 V 253 @ 2.5V(min)	256 @ 5 V/ 250 @ 3.3 V/ 241 @ 2.5 V(min)	230,400

Figure 15-3, Figure 15-4, and Figure 15-5 illustrate the memory and I/O read and write cycles. The Rabbit operates at 2 clocks per bus cycle plus any wait states that might be specified.

The following memory read time delays were measured.

Table 15-3. Memory Read Time Delays

Time Delay	Output Capacitance			
	20 pF		70 pF	
	min.	max.	min.	max.
Clock to address delay (T_{adr})	—	8 ns	—	14 ns
Clock to memory chip select delay (T_{CSx})	—	8 ns	—	14 ns
Clock to memory read strobe delay (T_{OEx})	—	6 ns	—	12 ns
Data setup time (T_{setup})	3 ns	—	3 ns	—
Data hold time (T_{hold})	0 ns	—	0 ns	—

The measurements were taken at the 50% points under the following conditions.

- $T = -40^{\circ}\text{C}$ to 85°C , $V = 5.0\text{ V} \pm 10\%$
- Internal clock to nonloaded CLK pin delay $\leq 1\text{ ns}$ @ $85^{\circ}\text{C}/4.5\text{ V}$

The following memory write time delays were measured.

Table 15-4. Memory Write Time Delays

Time Delay	Output Capacitance			
	20 pF		70 pF	
	min.	max.	min.	max.
Clock to address delay (T_{adr})	—	8 ns	—	14 ns
Clock to memory chip select delay (T_{CSx})	—	8 ns	—	14 ns
Clock to memory write strobe delay (T_{WEx})	—	6 ns	—	12 ns
High Z to data valid relative to clock (T_{DHZV})	—	11 ns	—	17 ns
Data valid to high Z relative to clock (T_{DVHZ})	—	11 ns	—	11 ns

The measurements were taken at the 50% points under the same conditions that the memory read delays were measured.

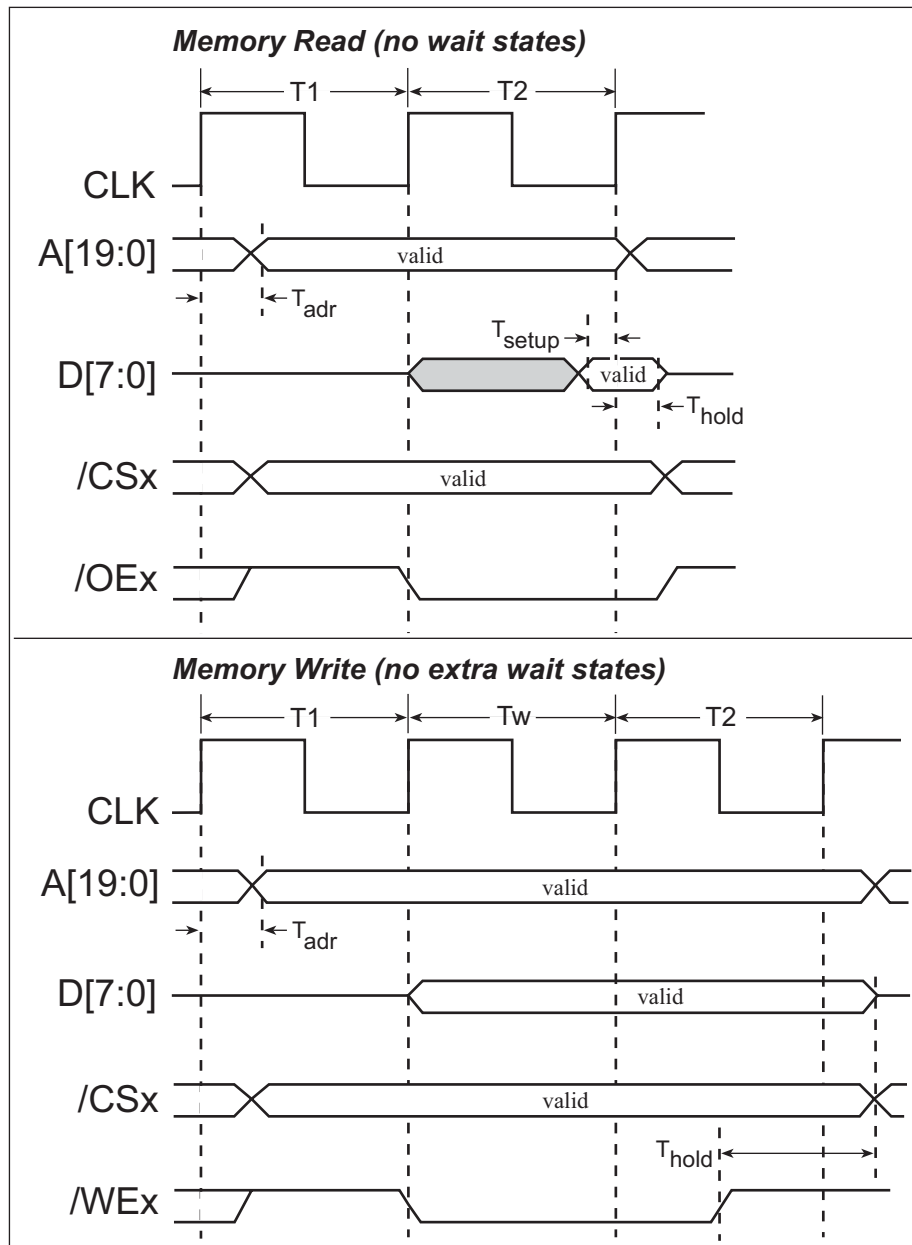


Figure 15-3. Memory Read and Write Cycles

Notice that the data times are different, depending on whether data are being read or written. T_{hold} for data read specifies how long the data must remain valid following the rising edge of T1 when the clock cycle repeats. T_{DHSV} for data write specifies how long the data remain valid once /WEx goes high, and must be at least one-half of a CPU clock cycle.

The following I/O read time delays were measured.

Table 15-5. I/O Read Time Delays

Time Delay	Output Capacitance			
	20 pF		70 pF	
	min.	max.	min.	max.
Clock to address delay (T_{adr})	—	8 ns	—	14 ns
Clock to memory chip select delay (T_{CSx})	—	8 ns	—	14 ns
Clock to I/O chip select delay (T_{IOCSx})	—	8 ns	—	14 ns
Clock to I/O read strobe delay (T_{IORD})	—	6 ns	—	12 ns
Clock to I/O buffer enable delay (T_{BUFEN})	—	8 ns	—	14 ns
Data setup time (T_{setup})	3 ns	—	3 ns	—
Data hold time (T_{hold})	0 ns	—	0 ns	—

The measurements were taken at the 50% points under the following conditions.

- $T = -40^{\circ}\text{C}$ to 85°C , $V = 5.0\text{ V} \pm 10\%$
- Internal clock to nonloaded CLK pin delay $\leq 1\text{ ns}$ @ $85^{\circ}\text{C}/4.5\text{ V}$

The following I/O write time delays were measured.

Table 15-6. I/O Write Time Delays

Time Delay	Output Capacitance			
	20 pF		70 pF	
	min.	max.	min.	max.
Clock to address delay (T_{adr})	—	8 ns	—	14 ns
Clock to memory chip select delay (T_{CSx})	—	8 ns	—	14 ns
Clock to I/O chip select delay (T_{IOCSx})	—	8 ns	—	14 ns
Clock to I/O write strobe delay (T_{IOWR})	—	6 ns	—	12 ns
Clock to I/O buffer enable delay (T_{BUFEN})	—	8 ns	—	14 ns
High Z to data valid relative to clock (T_{DHZV})	—	11 ns	—	17 ns
Data valid to high Z relative to clock (T_{DVHZ})	—	11 ns	—	17 ns

The measurements were taken at the 50% points under the same conditions that the I/O read delays were measured.

I/O bus cycles have an automatic wait state and thus require 3 clocks plus any extra wait states specified.

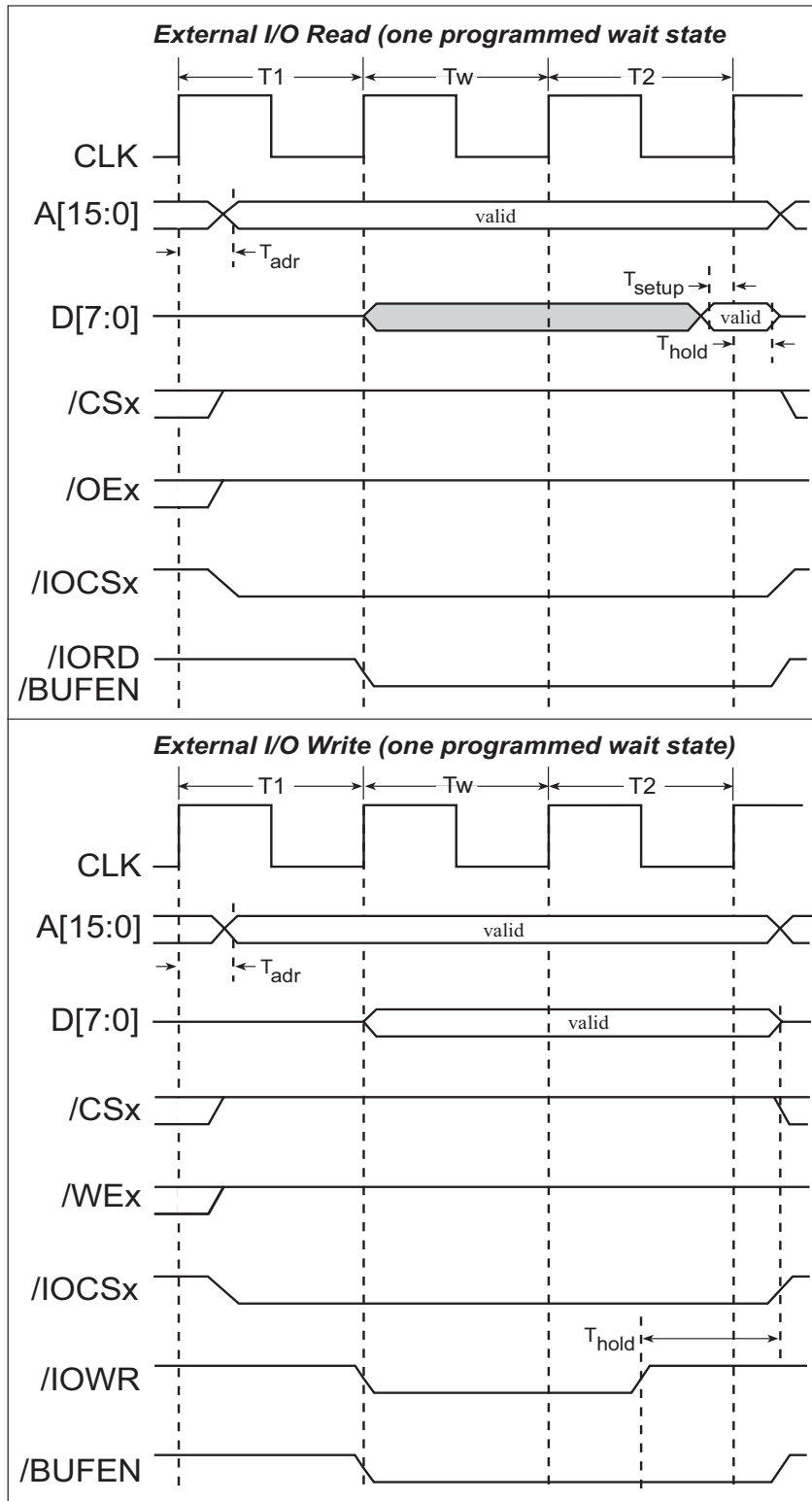


Figure 15-4. I/O Read and Write Cycles—No Extra Wait States

Figure 15-5 shows the effect of adding an extra wait state to the memory read/write cycles. The effects are similar for the I/O bus read/write cycles.

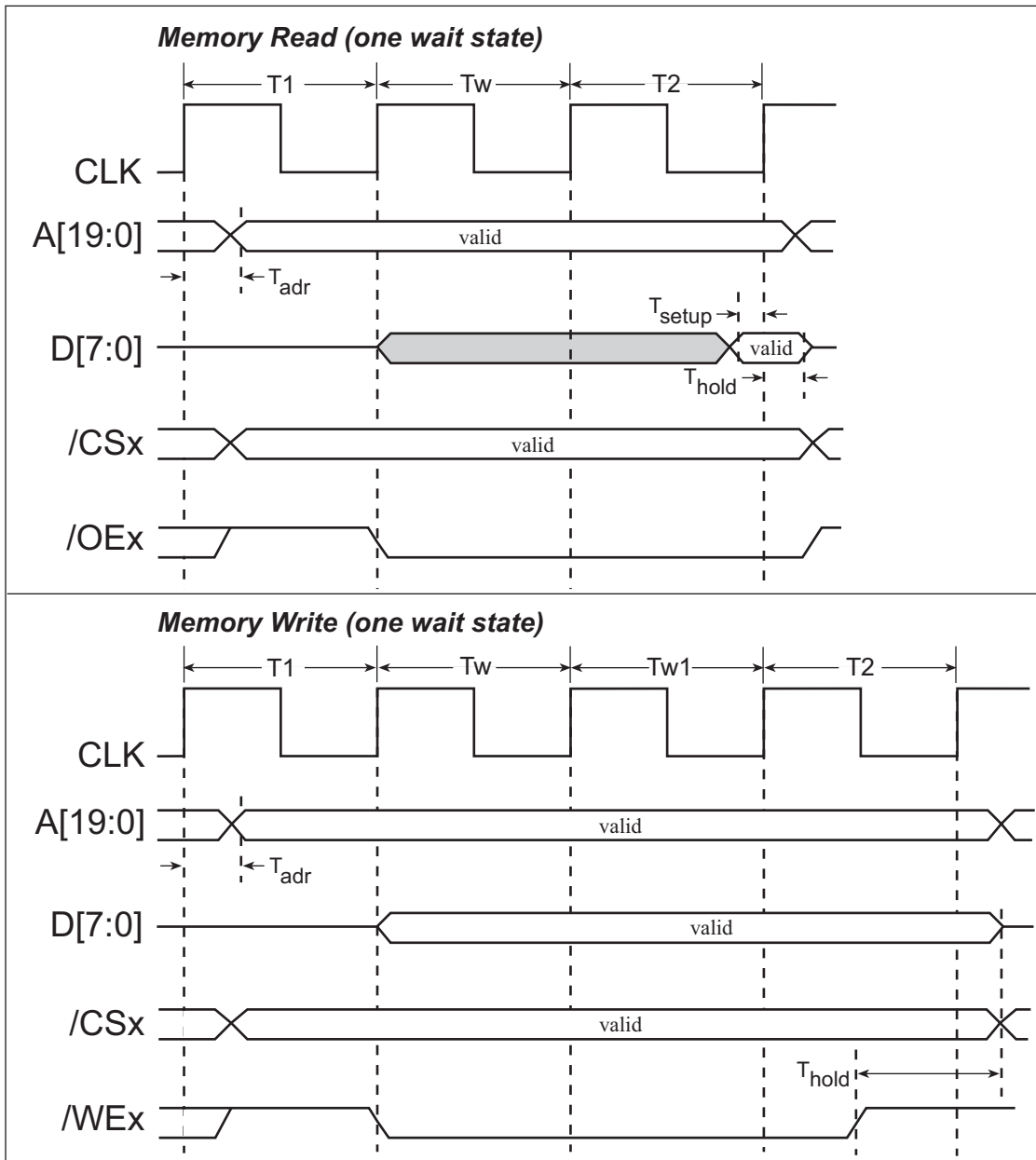


Figure 15-5. Memory Read and Write with Wait States

Table 15-7 provides typical memory and external I/O parameters measured at 3.3 V.

Table 15-7. Memory and External I/O Read/Write Parameters at 3.3 V

Parameter		Description	Value
Read Parameters	T_{adr}	Time from CPU clock rising edge to address valid	Max. 10 ns @ 20 pF 19 ns @ 70 pF
	T_{setup}	Data read setup time	Min. 3 ns
	T_{hold}	Data read hold time	Min. 0 ns
Write Parameters	T_{adr}	Time from CPU clock rising edge to address valid	Max. 10 ns @ 20 pF 19 ns @ 70 pF
	T_{hold}	Data write hold time from /WEx or /IOWR	Min. ½ CPU clock cycle

15.2 Current Consumption

Typical current is proportional to both clock frequency and voltage. The main oscillator requires approximately 6 mA at 5 V and 2 mA at 3 V independent of frequency. The basic current consumption for the processor exclusive of the oscillator at 5 V and 15 MHz is approximately 42 mA. The following formula can be used to compute the current consumption:

$$I = (0.7) * (\text{freq MHz}) * (\text{voltage}) + (0.35) * (\text{voltage} - 0.86)^2 \quad (2)$$

The first term represents the current consumed by the processor, which is directly proportional to voltage and frequency. The second term is the current consumed by the main oscillator, which is approximately independent of frequency, but varies as the square of the voltage. This term is zero when the main oscillator is disabled. Some checkpoints for current consumption are provided in Table 15-8.

Table 15-8. Typical Current at Selected Frequencies and Voltages at 25°C

Clock Frequency (MHz)	Voltage (V)	Current (mA)
29.4912	5	109
22.11	5	83
14.7456	5	58
14.7456	3.3	36
7.3728	3.3	19
3.6864	3.3	11
1.8432	3.3	6
0.9216	3.3	4.2
0.4608	3.3	3.14
0.032 (sleepy mode)	5	0.280
0.032 (sleepy mode)	4	0.173
0.032 (sleepy mode)	3.3	0.113
0.032 (sleepy mode)	2.7	0.072

The current consumed by memory and other devices included in the system, including pullup resistors, outputs driving a load, and floating inputs, must be added to the figures in Table 15-8.

The 32.768 kHz clock oscillator and the associated real-time clock consume approximately 23 μA at 3 V. (At 2.25 V, when backed by a battery, the current consumption is approximately 11 μA .) The (typical) current consumed when the main power is off, and only the 32.768 kHz oscillator and clock are powered, is given by the formula

$$\text{current } (\mu\text{A}) = 5.44 * (\text{V} - 0.86)^2 \quad (3)$$

where V is the operating voltage. This is the current that must be supplied by a backup battery, not counting the current required by the associated circuits. The oscillator will not operate below approximately 1.3 V. The measurement from which the above formula was derived were made with a series resistor of 390 k Ω and load capacitors of 15 pF in the 32.768 kHz oscillator circuit. The shunt resistor was 10 M Ω .

If the processor is running at 32.768 kHz, then the added current to operate the processor at room temperature (main oscillator shut off) is given by:

$$\text{current } (\mu\text{A}) = 7.5 * (\text{V}^2) \quad (4)$$

In low-power modes the current consumption is proportional to the square of the voltage. At 3.0 V this is approximately 67 μA . Add the 25 μA needed to operate the oscillator and the total current consumption will be approximately 92 μA with the processor operating at 32.768 kHz.

The current consumed by RAM or flash memory will be substantial and very significant at lower frequencies if auto powerdown flash or low-power RAM is not used. If low-power RAM is used to support the sleepy mode, the sleepy mode loop should be copied to RAM and executed in RAM. When trying to operate in an ultra low-power sleepy mode, it is important that no inputs be floating. Floating inputs consume substantial power. Keep in mind that port D open-drain outputs will create floating inputs if not pulled toward zero. Pullup resistors consume current and should be avoided or disabled in ultra low-power modes. When testing a sleepy mode of operation, it is advisable to connect an ammeter to make sure that no extra floating inputs or other current-consuming features are included in the setup.

16. RABBIT BIOS AND VIRTUAL DRIVER

When a program is compiled by Dynamic C for a Rabbit target, the Virtual Driver is automatically incorporated into the program. Virtual Driver is the name given to some initialization routines and a group of services performed by the periodic interrupt. The Rabbit BIOS, software that handles startup, shutdown and various basic features of the Rabbit, is compiled to the target along with the application program.

Rabbit Semiconductor provides the full source code for the BIOS and Virtual Driver so the user can modify them and examine details of the operation that are not apparent from the documentation.

More details on the BIOS and Virtual Driver software can be found in the *Dynamic C User's Manual*, the *Rabbit 2000 Designer's Handbook* and the source code in the Dynamic C libraries.

16.1 The BIOS

The BIOS provided with Dynamic C will work with all Rabbit board products.

The BIOS is compiled separately from the user's application. It occupies space at the bottom of the root code segment. When execution of the user's program starts at address zero on power-up or reset, it starts in the BIOS. When Dynamic C cold-boots the target and downloads the binary image of the BIOS, the BIOS symbol table is retained to make its entry points and global data available to the user application. Board specific drivers are compiled with the user's program after the BIOS is compiled.

16.1.1 BIOS Services

The BIOS includes support for the following services.

- System startup: including setup of memory, wait states and clock speed.
- Writing to flash. Writes to the primary code memory require turning off interrupts for up to 20 ms or so. To protect the System Identification Block (see the *Rabbit 2000 Designer's Handbook* for more information on the System ID Block), the flash driver will not write to that block. A routine that can actually write this block is not included in the BIOS to make it hard to accidentally corrupt this block.
- Run-time exception handling and logging to handle fatal errors and watchdog time-outs (error logging not implemented in older versions).
- Debugging and PC-target communication

16.1.2 BIOS Assumptions

The BIOS makes certain assumptions concerning the physical configuration of the processor. Processors are expected to have RAM connected to /CS1, /WE1, and /OE1. Flash is expected to be connected to /CS0, /WE0, and /OE0. (See the *Rabbit 2000 Designer's Handbook* Memory Planning chapter if you want to design a board with RAM only.) The crystal frequency is expected to be $n \times 1.8432$ MHz.

The *Rabbit 2000 Designer's Handbook* has a chapter on the Rabbit BIOS with more details.

16.2 Virtual Driver

The Virtual Driver is compiled with the user's application. It includes support for the following services.

- Hitting the hardware watchdog timer.
- Decrementing software watchdog timers.
- Synchronizing the system timer variables with the real-time clock and keeping them updated.
- Driving uC/OS-II multi-tasking.
- Driving slice statement multi-tasking.

16.2.1 Periodic Interrupt

The periodic interrupt that drives the Virtual Driver occurs every 16 clocks or every 488 μ s. If the 32.768 kHz oscillator is absent, it is possible to substitute a different periodic interrupt. This alternative is not supported by Rabbit Semiconductor since the cost of connecting a crystal is very small. The periodic interrupt keeps the interrupts turned off (that is, the processor priority is raised to 1 from zero) for about 75 clocks, so it contributes little to interrupt latency.

The periodic interrupt is turned on by default before `main()` is called. It can be disabled if needed. The *Dynamic C Users's Manual* chapter on the Virtual Driver provides more details on the periodic interrupt.

The Rabbit 2000 microprocessor requires the 32 kHz oscillator in order to boot via Dynamic C, unless a custom loader and BIOS are used.

16.2.2 Watchdog Timer Support

A microprocessor system can crash for a variety of reasons. A software bug or an electrical upset are common reasons. When the system crashes the program will typically settle into an endless loop because parameters that govern looping behavior have been corrupted. Typically, the stack becomes corrupted and returns are made to random addresses.

The usual corrective action taken in response to a crash is to reset the microprocessor and reboot the system. The crash can be detected either because an anomaly is detected by pro-

gram consistency checking or because a part of the program that should be executing periodically is not executing and the watchdog times out.

The Virtual Driver's periodic interrupt hits the hardware watchdog timer with a 2 second time-out. If the periodic interrupt stops working, then the watchdog will time out after 2 seconds. The Virtual Driver provides a number of additional "virtual" watchdog timers for use in other parts of the code that must be entered periodically. The user program must hit each virtual watchdog periodically.

The best practice is to let the periodic interrupt hit the hardware watchdog exclusively, and use virtual watchdogs for other code that must be run periodically. If hits to the hardware watchdog are scattered through a program, then it may be possible for the code to enter an endless loop where the watchdog is hit, and therefore rendered useless for detecting the endless loop condition. If no virtual watchdogs are used, an undetected endless loop condition could still occur since the periodic interrupt can still hit the hardware watchdog.

If any of the virtual watchdogs times out, then hits are withheld from the hardware watchdog and it times out, resulting in a hardware reset. Virtual watchdogs may be allocated, deallocated, enabled and disabled. The advantage of the virtual watchdogs is that if any of them fail an error is detected.

The *Dynamic C Users's Manual* chapter on the Virtual Driver provides more details on virtual watchdogs.

17. OTHER RABBIT SOFTWARE

17.1 Power Management Support

The power consumption and speed of operation can be throttled up and down with rough synchronism. This is done by changing the clock speed or the clock doubler. The range of control is quite wide: the speed can vary by a factor of 16 when the main clock is driving the processor. In addition, the main clock can be switched to the 32.768 kHz clock. In this case, the slowdown is very dramatic, a factor of perhaps 500. In this ultra slow mode, each clock takes about 30 μ s, and a typical instruction takes 150 μ s to execute. At this speed, the periodic interrupt cannot operate because the interrupt routine would execute too slowly to keep up with an interrupt every 16 clocks. Only about 3 instructions could be executed between ticks.

A different set of rules applies in the ultra slow or “sleepy” mode. The Rabbit 2000 automatically disables periodic interrupts when the clock mode is switched to 32 kHz or one of the multiples of 32 kHz. This means that the periodic-interrupt hardware does not function when running at any of these 32 kHz clock speeds simply because there are not enough clock cycles available to service the interrupt. Hence virtual watchdogs (which depend on the periodic interrupt) *cannot* be used in the sleepy mode. The user must set up an endless loop to determine when to exit sleepy mode. A routine, `updateTimers()`, is provided to update the system timer variables by directly reading the real-time clock and to hit the watchdog while in sleepy mode. If the user’s routine cannot get around the loop in the maximum watchdog timer time-out time, the user should put several calls to `updateTimers()` in the loop. The user should avoid indiscriminate direct access to the watchdog timer and real-time clock. The least significant bits of the real-time clock cannot be read in ultra slow mode because they count fast compared to the instruction execution time. To reduce bus activity and thus power consumption, it is useful to multiply zero by zero. This requires 12 clocks for one memory cycle and reduces power consumption. Typically a number of `mul` instructions can be executed between each test of the condition being waited for.

Dynamic C libraries also provide functions to change clock speeds to enter and exit sleepy mode. See the *Rabbit 2000 Designer’s Handbook* chapter *Low Power Design and Support* for more details.

17.2 Reading and Writing I/O Registers

The Rabbit has two I/O spaces: internal I/O registers and external I/O registers.

17.2.1 Using Assembly Language

The fastest way to read and write I/O registers in Dynamic C is to use a short segment of assembly language inserted in the C program. Access is the same as for accessing data memory except that the instruction is preceded by a prefix (**ioi** or **ioe**) to indicate the internal or external I/O space. For example.

```
// compute value and write to Port A Data Register
value=x+y

#asm
ld a,(value)      ; value to write
ioi ld (PADR),a   ; write value to PADR
#endasm
```

In the example above the **ioi** prefix changes a store to memory to a store to an internal I/O port. The prefix **ioe** is used for writes to external I/O ports.

17.2.2 Using Library Functions

Dynamic C functions are available to read and write I/O registers. These functions are provided for convenience. For speed, assembly code is recommended. For a complete description of the functions noted in this section, refer to the *Dynamic C User's Manual* or from the **Help** menu in Dynamic C, access the **HTML Function Reference** or **Function Lookup** options.

To read internal I/O registers, there are two functions.

```
int RdPortI(int PORT)                ; // returns PORT, high byte zero
int BitRdPortI(int PORT, int bitcode); // bit code 0-7
```

To write internal I/O registers, there are two functions.

```
void WrPortI(int PORT, char *PORTShadow, int value);
void BitWrPortI(int PORT, char *PORTShadow, int value, int bitcode);
```

The external registers are also accessible with Dynamic C functions.

```
int RdPortE(int PORT)                ; // returns PORT, high byte zero
int BitRdPortE(int PORT, int bitcode); // bit code 0-7
int WrPortE(int PORT, char *PORTShadow, int value);
int BitWrPortE(int PORT, char *PORTShadow, int value, int bitcode);
```

In order to read a port the following code could be used:

```
k=RdPortI(PADR); // returns Port A Data Register
```


17.3 Shadow Registers

Many of the registers of the Rabbit's internal I/O devices are write-only. This saves gates on the chip, making possible greater capability at lower cost. Write-only registers are easier to use if a memory location, called a shadow register, is associated with each write-only register. To make shadow register names easy to remember, the word `shadow` is appended to the register name. For example the register `GOCCR` (Global Output Control register) has the shadow `GOCCRShadow`. Some shadow registers are defined in the BIOS source code as shown below.

```
char GCSRShadow; // Global Control Status Register
char GOCCRShadow; // Global Output Control Register
char GCDRShadow; // Global Clock Doubler Register
```

If the port is a write-only port, the shadow register can be used to find out the port's contents. For example `GCSR` has a number of write-only bits. These can be read by consulting the shadow, provided that the shadow register is always updated when writing to the register.

```
k=GCSRShadow;
```

17.3.1 Updating Shadow Registers

If the address of a shadow register is passed as an argument to one of the functions that write to the internal or external I/O registers, then the shadow register will be updated as well as the specified I/O register.

A `NULL` pointer may replace the pointer to a shadow register as an argument to `WrPortI()` and `WrPortE()`; the shadow register associated with the port will not be updated. A pointer to the shadow register is mandatory for `BitWrPortI()` and `BitWrPortE()`.

17.3.2 Interrupt While Updating Registers

When manipulating I/O registers and shadow registers, the programmer must keep in mind that an interrupt can take place in the middle of the sequence of operations, and then the interrupt routine may manipulate the same registers. If this possibility exists, then a solution must be crafted for the particular situation. Usually it is not necessary to disable the interrupts while manipulating registers and their associated shadow registers.

17.3.2.1 Atomic Instruction

As an example, consider the parallel port D data direction register (`PDDDR`). This register is write only, and it contains 8 bits corresponding to the 8 I/O pins of parallel port D. If a bit in this register is a "1," the corresponding port pin is an output, otherwise it is an input. It is easy to imagine a situation where different parts of the application, such as an interrupt routine and a background routine, need to be in charge of different bits in the `PDDDR` register. The following code sets a bit in the shadow and then sets the I/O register. If an interrupt takes place between the `set` and the `ldd`, and changes the shadow register and `PDDDR`, the correct value will still be set in `PDDDR`.

```

ld hl,PDDDRShadow    ; point to shadow register
ld de,PDDDR          ; set de to point to I/O reg
set 5,(hl)           ; set bit 5 of shadow register
; use ldd instruction for atomic transfer
ioi ldd              ; (io de)<-(hl)  side effect: hl--, de--

```

In this case, the `ldd` instruction when used with an I/O prefix provides a convenient data move from a memory location to an I/O location. Importantly, the `ldd` instruction is an atomic operation so there is no danger that an interrupt routine could change the shadow register during the move to the PDDDR register.

17.3.2.2 Non-atomic Instructions

If the following two instructions were used instead of the `ldd` instruction,

```

ld a,(hl)
ld (PDDDR),a ; output to PDDDR

```

then an interrupt could take place after the first instruction, change the shadow register and the PDDDR register, and then after a return from the interrupt, the second instruction would execute and store an obsolete copy of the shadow register in the PDDDR, setting it to a wrong value.

17.3.3 Write-only Registers Without Shadow Registers

Shadow register are not needed for many of the registers that can be written to. In some cases, writing to registers is used as a handy way of changing a peripheral's state, and the data bits written are ignored. For example, a write to the status register in the Rabbit serial ports is used to clear the transmitter interrupt request, but the data bits are ignored, and the status register is actually a read-only register except for the special functionality attached to the act of writing the register. An illustration of a write-only register for which a shadow is unnecessary is the transmitter data register in the Rabbit serial port. The transmitter data register is a write-only register, but there is little reason to have a shadow register since any data bits stored are transmitted promptly on the serial port.

17.4 Timer and Clock Usage

The battery-backable real-time clock is a 48 bit counter that counts at 32768 counts per second. The counting frequency comes from the 32.768 kHz oscillator which is separate from the main oscillator. Two other important devices are also powered from the 32.768 kHz oscillator: the periodic interrupt and the watchdog timer. It is assumed that all measurements of time will derive from the real-time clock and not the main processor clock which operates at a much higher frequency (e.g. 22.1184 MHz). This allows the main processor oscillator to use less expensive ceramic resonators rather than quartz crystals. Ceramic resonators typically have an error of 5 parts in 1000, while crystals are much more accurate, to a few seconds per day.

Two library functions are provided to read and write the real-time clock:

```
unsigned long int read_rtc(void)          ; // read bits 15-46 rtc
void write_rtc(unsigned long int time) ; // write bits 15-46
// note: bits 0-14 and bit 47 are zeroed
```

However, it is not intended that the real-time clock be read and written frequently. The procedure to read it is lengthy and has an uncertain execution time. The procedure for writing the clock is even more complicated. Instead, Dynamic C software maintains a long variable `SEC_TIMER` in memory. `SEC_TIMER` is synchronized with the real-time clock when the Virtual Driver starts, and updated every second by the periodic interrupt. It may be read or written directly by the user's programs. Since `SEC_TIMER` is driven by the same oscillator as the real-time clock there is no relative gain or loss of time between the two. A millisecond timer variable, `MS_TIMER`, is also maintained by the Virtual Driver.

Two utility routines are provided that can be used to convert times between the traditional format (10-Jan-2000 17:34:12) and the seconds since 1-Jan-1980 format.

```
// converts time structure to seconds
unsigned long mktime(struct tm *timeptr);

// seconds to structure
unsigned int mktm(struct tm *timeptr, unsigned long time);
```

The format of the structure used is the following

```
struct tm {
char tm_sec;           // seconds 0-59
char tm_min;           // 0-59
char tm_hour;          // 0-59
char tm_mday;          // 1-31
char tm_mon;           // 1-12
char tm_year;          // 00-150 (1900-2050)
char tm_wday;          // 0-6 0==sunday
};
```

The day of the week is not used to compute the long seconds, but it is generated when computing from long seconds to the structure. A utility program, `setclock.c`, is available to set the date and time in the real-time clock from the Dynamic C **STDIO** console.

18. RABBIT INSTRUCTIONS

Summary

All bugs related to instructions have been fixed in revisions A–C of the Rabbit 2000 chip. See Appendix B for more information.

Detailed information on instructions is provided in this chapter.

- “Load Immediate Data” on page 178
- “8-bit Indexed Load and Store” on page 178
- “16-bit Indexed Loads and Stores” on page 178
- “16-bit Load and Store 20-bit Address” on page 179
- “Register to Register Moves” on page 179
- “Exchange Instructions” on page 180
- “Stack Manipulation Instructions” on page 180
- “16-bit Arithmetic and Logical Ops” on page 180
- “8-bit Arithmetic and Logical Ops” on page 181
- “8-bit Bit Set, Reset and Test” on page 182
- “8-bit Increment and Decrement” on page 182
- “8-bit Fast A register Operations” on page 183
- “8-bit Shifts and Rotates” on page 183
- “Instruction Prefixes” on page 184
- “Block Move Instructions” on page 184
- “Control Instructions - Jumps and Calls” on page 185
- “Miscellaneous Instructions” on page 185
- “Privileged Instructions” on page 186
- “Instructions in Alphabetical Order With Binary Encoding” on page 189

Spreadsheet Conventions

ALTD (“A” Column) Symbol Key

Flag	Description
f	ALTD selects alternate flags
fr	ALTD selects alternate flags and register
r	ALTD selects alternate register
s	ALTD operation is a special case

IOI and IOE (“I” Column) Symbol Key

Flag	Description
b	IOI and IOE affect source and destination
d	IOI and IOE affect destination
s	IOI and IOE affect source

Flag Register Key

S	Z	L/V *	C	Description
*				Sign flag affected
-				Sign flag not affected
	*			Zero flag affected
	-			Zero flag not affected
		L		LV flag contains logical check result
		V		LV flag contains arithmetic overflow result
		0		LV flag is cleared
		*		LV flag is affected
			*	Carry flag is affected
			-	Carry flag is not affected
			0	Carry flag is cleared
			1	Carry flag is set

* The L/V (logical/overflow) flag serves a dual purpose—
L/V is set to 1 for logical operations if any of the four
most significant bits of the result are 1, and L/V is reset to
0 if all four of the most significant bits of the result are 0.

Symbols

Rabbit	Z180	Meaning
b	b	Bit select: 000 = bit 0, 001 = bit 1, 010 = bit 2, 011 = bit 3, 100 = bit 4, 101 = bit 5, 110 = bit 6, 111 = bit 7
cc	cc	Condition code select: 00 = NZ, 01 = Z, 10 = NC, 11 = C
d	d	7-bit (signed) displacement. Expressed in two's complement.
dd	ww	Word register select destination: 00 = BC, 01 = DE, 10 = HL, 11 = SP
dd'		Word register select alternate: 00 = BC', 01 = DE', 10 = HL'
e	j	8-bit (signed) displacement added to PC.
f	f	Condition code select: 000 = NZ (non zero), 001 = Z (zero), 010 = NC (non carry), 011 = C (carry), 100 = LZ* (logical zero), 101 = LO [†] (logical one), 110 = P (sign plus), 111 = M (sign minus)
m	m	MSB of a 16-bit constant.
mn	mn	16-bit constant.
n	n	8-bit constant or LSB of a 16-bit constant.
r, g	g, g'	Byte register select: 000 = B, 001 = C, 010 = D, 011 = E, 100 = H, 101 = L, 111 = A
ss	ww	Word register select (source): 00 = BC, 01 = DE, 10 = HL, 11 = SP
v	v	Restart address select: 010 = 0x0020, 011 = 0x0030, 100 = 0x0040, 101 = 0x0050, 111 = 0x0070
xx	xx	Word register select: 00 = BC, 01 = DE, 10 = IX, 11 = SP
yy	yy	Word register select: 00 = BC, 01 = DE, 10 = IY, 11 = SP
zz	zz	Word register select: 00 = BC, 01 = DE, 10 = HL, 11 = AF

* Logical zero if all four of the most significant bits of the result are 0.

† Logical one if any of the four most significant bits of the result are 1.

18.1 Load Immediate Data

Instruction	clk	A	I	S	Z	V	C	Operation
LD IX,mn	8		-	-	-	-		IX = mn
LD IY,mn	8		-	-	-	-		IY = mn
LD dd,mn	6	r	-	-	-	-		dd = mn
LD r,n	4	r	-	-	-	-		r = n

18.2 Load & Store to Immediate Address

Instruction	clk	A	I	S	Z	V	C	Operation
LD (mn),A	10		d	-	-	-	-	(mn) = A
LD A,(mn)	9	r	s	-	-	-	-	A = (mn)
LD (mn),HL	13		d	-	-	-	-	(mn) = L; (mn+1) = H
LD (mn),IX	15		d	-	-	-	-	(mn) = IXL; (mn+1) = IXH
LD (mn),IY	15		d	-	-	-	-	(mn) = IYL; (mn+1) = IYH
LD (mn),ss	15		d	-	-	-	-	(mn) = ssl; (mn+1) = ssh
LD HL,(mn)	11	r	s	-	-	-	-	L = (mn); H = (mn+1)
LD IX,(mn)	13		s	-	-	-	-	IXL = (mn); IXH = (mn+1)
LD IY,(mn)	13		s	-	-	-	-	IYL = (mn); IYH = (mn+1)
LD dd,(mn)	13	r	s	-	-	-	-	ddl = (mn); ddh = (mn+1)

18.3 8-bit Indexed Load and Store

Instruction	clk	A	I	S	Z	V	C	Operation
LD A,(BC)	6	r	s	-	-	-	-	A = (BC)
LD A,(DE)	6	r	s	-	-	-	-	A = (DE)
LD (BC),A	7		d	-	-	-	-	(BC) = A
LD (DE),A	7		d	-	-	-	-	(DE) = A
LD (HL),n	7		d	-	-	-	-	(HL) = n
LD (HL),r	6		d	-	-	-	-	(HL) = r = B, C, D, E, H, L, A
LD r,(HL)	5	r	s	-	-	-	-	r = (HL)
LD (IX+d),n	11		d	-	-	-	-	(IX+d) = n
LD (IX+d),r	10		d	-	-	-	-	(IX+d) = r
LD r,(IX+d)	9	r	s	-	-	-	-	r = (IX+d)
LD (IY+d),n	11		d	-	-	-	-	(IY+d) = n
LD (IY+d),r	10		d	-	-	-	-	(IY+d) = r
LD r,(IY+d)	9	r	s	-	-	-	-	r = (IY+d)

18.4 16-bit Indexed Loads and Stores

Instruction	clk	A	I	S	Z	V	C	Operation
LD (HL+d),HL	13		d	-	-	-	-	(HL+d) = L; (HL+d+1) = H
LD HL,(HL+d)	11	r	s	-	-	-	-	L = (HL+d); H = (HL+d+1)
LD (SP+n),HL	11		-	-	-	-	-	(SP+n) = L; (SP+n+1) = H
LD (SP+n),IX	13		-	-	-	-	-	(SP+n) = IXL; (SP+n+1) = IXH
LD (SP+n),IY	13		-	-	-	-	-	(SP+n) = IYL; (SP+n+1) = IYH
LD HL,(SP+n)	9	r	-	-	-	-	-	L = (SP+n); H = (SP+n+1)
LD IX,(SP+n)	11		-	-	-	-	-	IXL = (SP+n); IXH = (SP+n+1)
LD IY,(SP+n)	11		-	-	-	-	-	IYL = (SP+n); IYH = (SP+n+1)
LD (IX+d),HL	11		d	-	-	-	-	(IX+d) = L; (IX+d+1) = H
LD HL,(IX+d)	9	r	s	-	-	-	-	L = (IX+d); H = (IX+d+1)
LD (IY+d),HL	13		d	-	-	-	-	(IY+d) = L; (IY+d+1) = H
LD HL,(IY+d)	11	r	s	-	-	-	-	L = (IY+d); H = (IY+d+1)

18.5 16-bit Load and Store 20-bit Address

Instruction	clk	A	I	S	Z	V	C	Operation
LDP (HL),HL	12		-	-	-	-		(HL) = L; (HL+1) = H. (Adr[19:16] = A[3:0])
LDP (IX),HL	12		-	-	-	-		(IX) = L; (IX+1) = H. (Adr[19:16] = A[3:0])
LDP (IY),HL	12		-	-	-	-		(IY) = L; (IY+1) = H. (Adr[19:16] = A[3:0])
LDP HL,(HL)	10		-	-	-	-		L = (HL); H = (HL+1). (Adr[19:16] = A[3:0])
LDP HL,(IX)	10		-	-	-	-		L = (IX); H = (IX+1). (Adr[19:16] = A[3:0])
LDP HL,(IY)	10		-	-	-	-		L = (IY); H = (IY+1). (Adr[19:16] = A[3:0])
LDP (mn),HL	15		-	-	-	-		(mn) = L; (mn+1) = H. (Adr[19:16] = A[3:0])
LDP (mn),IX	15		-	-	-	-		(mn) = IXL; (mn+1) = IXH. (Adr[19:16] = A[3:0])
LDP (mn),IY	15		-	-	-	-		(mn) = IYL; (mn+1) = IYH. (Adr[19:16] = A[3:0])
LDP HL,(mn)	13		-	-	-	-		L = (mn); H = (mn+1). (Adr[19:16] = A[3:0])
LDP IX,(mn)	13		-	-	-	-		IXL = (mn); IXH = (mn+1). (Adr[19:16] = A[3:0])
LDP IY,(mn)	13		-	-	-	-		IYL = (mn); IYH = (mn+1). (Adr[19:16] = A[3:0])

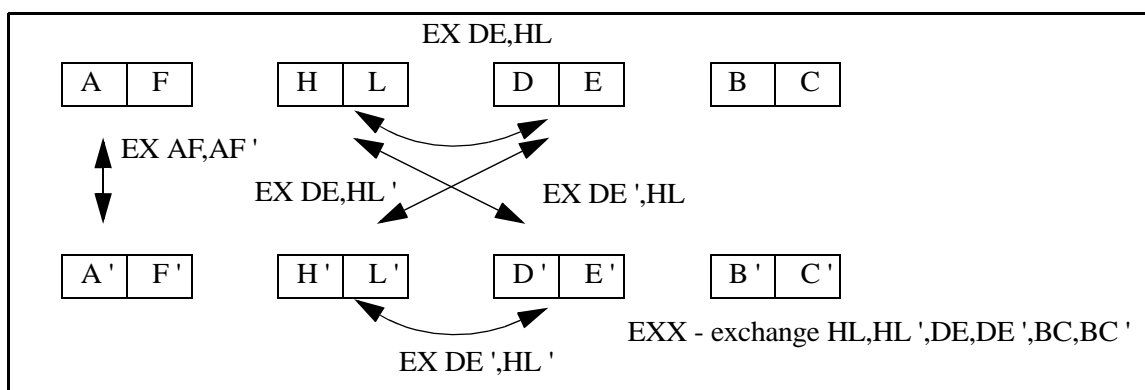
Note that the LDP instructions wrap around on a 64K page boundary. Since the LDP instruction operates on two-byte values, the second byte will wrap around and be written at the start of the page if you try to read or write across a page boundary. Thus, if you fetch or store at address 0xn,0xFFFF, you will get the bytes located at 0xn,0xFFFF and 0xn,0x0000 instead of 0xn,0xFFFF and 0x(n+1),0x0000 as you might expect. Therefore, do *not* use LDP at any physical address ending in 0xFFFF.

18.6 Register to Register Moves

Instruction	clk	A	I	S	Z	V	C	Operation
LD r,g	2	r	-	-	-	-		r = g; r,g any of B, C, D, E, H, L, A
LD A,EIR	4	fr	*	*	-	-		A = EIR
LD A,IIR	4	fr	*	*	-	-		A = IIR
LD A,XPC	4	r	-	-	-	-		A = MMU
LD EIR,A	4		-	-	-	-		EIR = A
LD IIR,A	4		-	-	-	-		IIR = A
LD XPC,A	4		-	-	-	-		XPC = A
LD HL,IX	4	r	-	-	-	-		HL = IX
LD HL,IY	4	r	-	-	-	-		HL = IY
LD IX,HL	4		-	-	-	-		IX = HL
LD IY,HL	4		-	-	-	-		IY = HL
LD SP,HL	2		-	-	-	-		SP = HL
LD SP,IX	4		-	-	-	-		SP = IX
LD SP,IY	4		-	-	-	-		SP = IY
LD dd',BC	4		-	-	-	-		dd' = BC (dd': 00-BC', 01-DE', 10-HL')
LD dd',DE	4		-	-	-	-		dd' = DE (dd': 00-BC', 01-DE', 10-HL')

18.7 Exchange Instructions

Instruction	clk	A	I	S	Z	V	C	Operation
EX (SP),HL	15	r	-	-	-	-	-	H <-> (SP+1); L <-> (SP)
EX (SP),IX	15		-	-	-	-	-	IXH <-> (SP+1); IXL <-> (SP)
EX (SP),IY	15		-	-	-	-	-	IYH <-> (SP+1); IYL <-> (SP)
EX AF,AF'	2		-	-	-	-	-	AF <-> AF'
EX DE',HL	2	s	-	-	-	-	-	if (!ALTD) then DE' <-> HL else DE' <-> HL'
EX DE',HL'	4	s	-	-	-	-	-	DE' <-> HL'
EX DE,HL	2	s	-	-	-	-	-	if (!ALTD) then DE <-> HL else DE <-> HL'
EX DE,HL'	4	s	-	-	-	-	-	DE <-> HL'
EXX	2		-	-	-	-	-	BC <-> BC'; DE <-> DE'; HL <-> HL'



18.8 Stack Manipulation Instructions

Instruction	clk	A	I	S	Z	V	C	Operation
ADD SP,d	4	f	-	-	-	*		SP = SP + d -- d=0 to 255
POP IP	7		-	-	-	-		IP = (SP); SP = SP+1
POP IX	9		-	-	-	-		IXL = (SP); IXH = (SP+1); SP = SP+2
POP IY	9		-	-	-	-		IYL = (SP); IYH = (SP+1); SP = SP+2
POP zz	7	r	-	-	-	-		zzl = (SP); zzh = (SP+1); SP=SP+2 -- zz= BC,DE,HL,AF
PUSH IP	9		-	-	-	-		(SP-1) = IP; SP = SP-1
PUSH IX	12		-	-	-	-		(SP-1) = IXH; (SP-2) = IXL; SP = SP-2
PUSH IY	12		-	-	-	-		(SP-1) = IYH; (SP-2) = IYL; SP = SP-2
PUSH zz	10		-	-	-	-		(SP-1) = zzh; (SP-2) = zzl; SP=SP-2 --zz= BC,DE,HL,AF

18.9 16-bit Arithmetic and Logical Ops

Instruction	clk	A	I	S	Z	V	C	Operation
ADC HL,ss	4	fr	*	*	V	*		HL = HL + ss + CF -- ss=BC, DE, HL, SP
ADD HL,ss	2	fr	-	-	-	*		HL = HL + ss
ADD IX,xx	4	f	-	-	-	*		IX = IX + xx -- xx=BC, DE, IX, SP

```

ADD IY,yy      4      f      - - - * IY = IY + yy -- yy=BC,
                                     DE, IY, SP
ADD SP,d       4      f      - - - * SP = SP + d -- d=0 to 255
AND HL,DE      2      fr     * * L 0 HL = HL & DE
AND IX,DE      4      f      * * L 0 IX = IX & DE
AND IY,DE      4      f      * * L 0 IY = IY & DE
BOOL HL        2      fr     * * 0 0 if (HL != 0) HL = 1,
                                     set flags to match HL
BOOL IX        4      f      * * 0 0 if (IX != 0) IX = 1
BOOL IY        4      f      * * 0 0 if (IY != 0) IY = 1
DEC IX         4      - - - - IX = IX - 1
DEC IY         4      - - - - IY = IY - 1
DEC ss         2      r      - - - - ss = ss - 1 -- ss= BC,
                                     DE, HL, SP
INC IX         4      - - - - IX = IX + 1
INC IY         4      - - - - IY = IY + 1
INC ss         2      r      - - - - ss = ss + 1 -- ss= BC,
                                     DE, HL, SP
MUL            12     - - - - HL:BC = BC * DE, signed
                                     32 bit result. DE unchanged
OR HL,DE       2      fr     * * L 0 HL = HL | DE -- bitwise or
OR IX,DE       4      f      * * L 0 IX = IX | DE
OR IY,DE       4      f      * * L 0 IY = IY | DE
RL DE          2      fr     * * L * {CY,DE} = {DE,CY} --
                                     left shift with CF
RR DE          2      fr     * * L * {DE,CY} = {CY,DE}
RR HL          2      fr     * * L * {HL,CY} = {CY,HL}
RR IX          4      f      * * L * {IX,CY} = {CY,IX}
RR IY          4      f      * * L * {IY,CY} = {CY,IY}
SBC HL,ss      4      fr     * * V * HL=HL-ss-CY
                                     (cout if (ss-CY)>hl)

```

18.10 8-bit Arithmetic and Logical Ops

Instruction	clk	A	I	S	Z	V	C	Operation
ADC A, (HL)	5	fr	s	*	*	V	*	A = A + (HL) + CF
ADC A, (IX+d)	9	fr	s	*	*	V	*	A = A + (IX+d) + CF
ADC A, (IY+d)	9	fr	s	*	*	V	*	A = A + (IY+d) + CF
ADC A,n	4	fr	*	*	*	V	*	A = A + n + CF
ADC A,r	2	fr	*	*	*	V	*	A = A + r + CF
ADD A, (HL)	5	fr	s	*	*	V	*	A = A + (HL)
ADD A, (IX+d)	9	fr	s	*	*	V	*	A = A + (IX+d)
ADD A, (IY+d)	9	fr	s	*	*	V	*	A = A + (IY+d)
ADD A,n	4	fr	*	*	*	V	*	A = A + n
ADD A,r	2	fr	*	*	*	V	*	A = A + r
AND (HL)	5	fr	s	*	*	L	0	A = A & (HL)
AND (IX+d)	9	fr	s	*	*	L	0	A = A & (IX+d)
AND (IY+d)	9	fr	s	*	*	L	0	A = A & (IY+d)
AND n	4	fr	*	*	*	L	0	A = A & n
AND r	2	fr	*	*	*	L	0	A = A & r
CP* (HL)	5	f	s	*	*	V	*	A - (HL)
CP* (IX+d)	9	f	s	*	*	V	*	A - (IX+d)
CP* (IY+d)	9	f	s	*	*	V	*	A - (IY+d)

CP* n	4	f	*	*	V	*	A - n
CP* r	2	f	*	*	V	*	A - r
OR (HL)	5	fr	s	*	*	L 0	A = A (HL)
OR (IX+d)	9	fr	s	*	*	L 0	A = A (IX+d)
OR (IY+d)	9	fr	s	*	*	L 0	A = A (IY+d)
OR n	4	fr	*	*	L 0	A = A n	
OR r	2	fr	*	*	L 0	A = A r	
SBC* (IX+d)	9	fr	s	*	*	V *	A = A - (IX+d) - CY
SBC* (IY+d)	9	fr	s	*	*	V *	A = A - (IY+d) - CY
SBC* A, (HL)	5	fr	s	*	*	V *	A = A - (HL) - CY
SBC* A, n	4	fr	*	*	V *	A = A - n - CY	(cout if (r-CY)>A)
SBC* A, r	2	fr	*	*	V *	A = A - r - CY	(cout if (r-CY)>A)
SUB (HL)	5	fr	s	*	*	V *	A = A - (HL)
SUB (IX+d)	9	fr	s	*	*	V *	A = A - (IX+d)
SUB (IY+d)	9	fr	s	*	*	V *	A = A - (IY+d)
SUB n	4	fr	*	*	V *	A = A - n	
SUB r	2	fr	*	*	V *	A = A - r	
XOR (HL)	5	fr	s	*	*	L 0	A = [A & ~(HL)] [~A & (HL)]
XOR (IX+d)	9	fr	s	*	*	L 0	A = [A & ~(IX+d)] [~A & (IX+d)]
XOR (IY+d)	9	fr	s	*	*	L 0	A = [A & ~(IY+d)] [~A & (IY+d)]
XOR n	4	fr	*	*	L 0	A = [A & ~n] [~A & n]	
XOR r	2	fr	*	*	L 0	A = [A & ~r] [~A & r]	

* SBC and CP instruction output inverted carry. C is set if A<B if the operation or virtual operation is (A-B). Carry is cleared if A>=B. SUB outputs carry in opposite sense from SBC and CP.

18.11 8-bit Bit Set, Reset and Test

Instruction	clk	A	I	S	Z	V	C	Operation
BIT b, (HL)	7	f	s	-	*	-	-	(HL) & bit
BIT b, (IX+d)	10	f	s	-	*	-	-	(IX+d) & bit
BIT b, (IY+d)	10	f	s	-	*	-	-	(IY+d) & bit
BIT b, r	4	f	-	-	*	-	-	r & bit
RES b, (HL)	10		d	-	-	-	-	(HL) = (HL) & ~bit
RES b, (IX+d)	13		d	-	-	-	-	(IX+d) = (IX+d) & ~bit
RES b, (IY+d)	13		d	-	-	-	-	(IY+d) = (IY+d) & ~bit
RES b, r	4	r	-	-	-	-	-	r = r & ~bit
SET b, (HL)	10		b	-	-	-	-	(HL) = (HL) bit
SET b, (IX+d)	13		b	-	-	-	-	(IX+d) = (IX+d) bit
SET b, (IY+d)	13		b	-	-	-	-	(IY+d) = (IY+d) bit
SET b, r	4	r	-	-	-	-	-	r = r bit

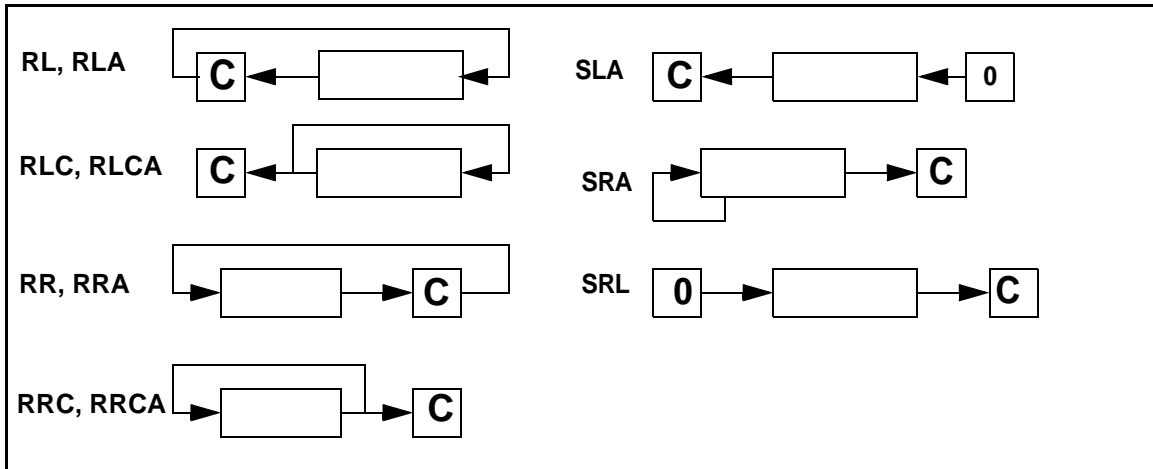
18.12 8-bit Increment and Decrement

Instruction	clk	A	I	S	Z	V	C	Operation
DEC (HL)	8	f	b	*	*	V	-	(HL) = (HL) - 1
DEC (IX+d)	12	f	b	*	*	V	-	(IX+d) = (IX+d) - 1
DEC (IY+d)	12	f	b	*	*	V	-	(IY+d) = (IY+d) - 1
DEC r	2	fr	*	*	V	-		r = r - 1
INC (HL)	8	f	b	*	*	V	-	(HL) = (HL) + 1
INC (IX+d)	12	f	b	*	*	V	-	(IX+d) = (IX+d) + 1
INC (IY+d)	12	f	b	*	*	V	-	(IY+d) = (IY+d) + 1
INC r	2	fr	*	*	V	-		r = r + 1

18.13 8-bit Fast A register Operations

Instruction	clk	A	I	S	Z	V	C	Operation
CPL	2	r	-	-	-	-	-	$A = \sim A$
NEG	4	fr	*	*	V	*	-	$A = 0 - A$
RLA	2	fr	-	-	-	*	-	$\{CY, A\} = \{A, CY\}$
RLCA	2	fr	-	-	-	*	-	$A = \{A[6,0], A[7]\}; CY = A[7]$
RRA	2	fr	-	-	-	*	-	$\{A, CY\} = \{CY, A\}$
RRCA	2	fr	-	-	-	*	-	$A = \{A[0], A[7,1]\}; CY = A[0]$

18.14 8-bit Shifts and Rotates



Instruction	clk	A	I	S	Z	V	C	Operation
RL (HL)	10	f	b	*	*	L	*	$\{CY, (HL)\} = \{(HL), CY\}$
RL (IX+d)	13	f	b	*	*	L	*	$\{CY, (IX+d)\} = \{(IX+d), CY\}$
RL (IY+d)	13	f	b	*	*	L	*	$\{CY, (IY+d)\} = \{(IY+d), CY\}$
RL r	4	fr	*	*	L	*	-	$\{CY, r\} = \{r, CY\}$
RLC (HL)	10	f	b	*	*	L	*	$(HL) = \{(HL)[6,0], (HL)[7]\};$ $CY = (HL)[7]$
RLC (IX+d)	13	f	b	*	*	L	*	$(IX+d) = \{(IX+d)[6,0],$ $(IX+d)[7]\}; CY = (IX+d)[7]$
RLC (IY+d)	13	f	b	*	*	L	*	$(IY+d) = \{(IY+d)[6,0],$ $(IY+d)[7]\}; CY = (IY+d)[7]$
RLC r	4	fr	*	*	L	*	-	$r = \{r[6,0], r[7]\}; CY = r[7]$
RR (HL)	10	f	b	*	*	L	*	$\{(HL), CY\} = \{CY, (HL)\}$
RR (IX+d)	13	f	b	*	*	L	*	$\{(IX+d), CY\} = \{CY, (IX+d)\}$
RR (IY+d)	13	f	b	*	*	L	*	$\{(IY+d), CY\} = \{CY, (IY+d)\}$
RR r	4	fr	*	*	L	*	-	$\{r, CY\} = \{CY, r\}$
RRC (HL)	10	f	b	*	*	L	*	$(HL) = \{(HL)[0], (HL)[7,1]\};$ $CY = (HL)[0]$
RRC (IX+d)	13	f	b	*	*	L	*	$(IX+d) = \{(IX+d)[0],$ $(IX+d)[7,1]\}; CY = (IX+d)[0]$
RRC (IY+d)	13	f	b	*	*	L	*	$(IY+d) = \{(IY+d)[0],$ $(IY+d)[7,1]\}; CY = (IY+d)[0]$
RRC r	4	fr	*	*	L	*	-	$r = \{r[0], r[7,1]\}; CY = r[0]$
SLA (HL)	10	f	b	*	*	L	*	$(HL) = \{(HL)[6,0], 0\}; CY =$ $(HL)[7]$
SLA (IX+d)	13	f	b	*	*	L	*	$(IX+d) = \{(IX+d)[6,0], 0\};$ $CY = (IX+d)[7]$
SLA (IY+d)	13	f	b	*	*	L	*	$(IY+d) = \{(IY+d)[6,0], 0\};$ $CY = (IY+d)[7]$

SLA r	4	fr	**L*	r = {r[6,0],0}; CY = r[7]
SRA (HL)	10	fb**L*		(HL) = {(HL)[7],(HL)[7,1]}; CY = (HL)[0]
SRA (IX+d)	13	fb**L*		(IX+d) = {(IX+d)[7], (IX+d)[7,1]}; CY = (IX+d)[0]
SRA (IY+d)	13	fb**L*		(IY+d) = {(IY+d)[7], (IY+d)[7,1]}; CY = (IY+d)[0]
SRA r	4	fr	**L*	r = {r[7],r[7,1]}; CY = r[0]
SRL (HL)	10	fb**L*		(HL) = {0,(HL)[7,1]}; CY = (HL)[0]
SRL (IX+d)	13	fb**L*		(IX+d) = {0,(IX+d)[7,1]}; CY = (IX+d)[0]
SRL (IY+d)	13	fb**L*		(IY+d) = {0,(IY+d)[7,1]}; CY = (IY+d)[0]
SRL r	4	fr	**L*	r = {0,r[7,1]}; CY = r[0]

18.15 Instruction Prefixes

Instruction	clk	A	I	S	Z	V	C	Operation
ALTD	2		-	-	-	-		alternate register destination for next Instruction
IOE	2		-	-	-	-		I/O external prefix
IOI	2		-	-	-	-		I/O internal prefix

18.16 Block Move Instructions

Instruction	clk	A	I	S	Z	V	C	Operation
LDD	10		d	-	-	*	-	(DE) = (HL); BC = BC-1; DE = DE-1; HL = HL-1
LDDR	6+7i		d	-	-	*	-	if {BC != 0} repeat:
LDI	10		d	-	-	*	-	(DE) = (HL); BC = BC-1; DE = DE+1; HL = HL+1
LDIR	6+7i		d	-	-	*	-	if {BC != 0} repeat:

If any of the block move instructions are prefixed by an I/O prefix, the destination will be in the specified I/O space. Add 1 clock for each iteration for the prefix if the prefix is IOI (internal I/O). If the prefix is IOE, add 2 clocks plus the number of I/O wait states enabled. The V flag is set when BC transitions from 1 to 0. If the V flag is not set another step is performed for the repeating versions of the instructions. Interrupts can occur between different repeats, but not within an iteration equivalent to LDD or LDI. Return from the interrupt is to the first byte of the instruction which is the I/O prefix byte if there is one.

18.17 Control Instructions - Jumps and Calls

Instruction	clk	A	I	S	Z	V	C	Operation
CALL mn	12			-	-	-	-	(SP-1) = PCH; (SP-2) = PCL; PC = mn; SP = SP-2
DJNZ j	5	r		-	-	-	-	B = B-1; if {B != 0} PC = PC + j
JP (HL)	4			-	-	-	-	PC = HL
JP (IX)	6			-	-	-	-	PC = IX
JP (IY)	6			-	-	-	-	PC = IY
JP f,mn	7			-	-	-	-	if {f} PC = mn
JP mn	7			-	-	-	-	PC = mn
JR cc,e	5			-	-	-	-	if {cc} PC = PC + e
JR e	5			-	-	-	-	PC = PC + e (if e==0 next seq inst is executed)
LCALL xpc,mn	19			-	-	-	-	(SP-1) = XPC; (SP-2) = PCH; (SP-3) = PCL; XPC=xpc; PC = mn; SP = (SP-3)
LJP xpc,mn	10			-	-	-	-	XPC=xpc; PC = mn
LRET	13			-	-	-	-	PCL = (SP); PCH = (SP+1); XPC = (SP+2); SP = SP+3
RET	8			-	-	-	-	PCL = (SP); PCH = (SP+1); SP = SP+2
RET f	8/2			-	-	-	-	if {f} PCL = (SP); PCH = (SP+1); SP = SP+2
RETI	12			-	-	-	-	IP = (SP); PCL = (SP+1); PCH = (SP+2); SP = SP+3
RST v	10			-	-	-	-	(SP-1) = PCH; (SP-2) = PCL; SP = SP - 2; PC = {R,v} v=10,18,20,28,38 only

18.18 Miscellaneous Instructions

Instruction	clk	A	I	S	Z	V	C	Operation
CCF	2	f		-	-	-	*	CF = ~CF
IPSET 0	4			-	-	-	-	IP = {IP[5:0], 00}
IPSET 1	4			-	-	-	-	IP = {IP[5:0], 01}
IPSET 2	4			-	-	-	-	IP = {IP[5:0], 10}
IPSET 3	4			-	-	-	-	IP = {IP[5:0], 11}
IPRES	4			-	-	-	-	IP = {IP[1:0], IP[7:2]}
LD A,EIR	4	fr		*	*	-	-	A = EIR
LD A,IIR	4	fr		*	*	-	-	A = IIR
LD A,XPC	4	r		-	-	-	-	A = MMU
LD EIR,A	4			-	-	-	-	EIR = A
LD IIR,A	4			-	-	-	-	IIR = A
LD XPC,A	4			-	-	-	-	XPC = A
NOP	2			-	-	-	-	No Operation
POP IP	7			-	-	-	-	IP = (SP); SP = SP+1
PUSH IP	9			-	-	-	-	(SP-1) = IP; SP = SP-1
SCF	2	f		-	-	-	1	CF = 1

18.19 Privileged Instructions

The privileged instructions are described in this section. Privilege means that an interrupt cannot take place between the privileged instruction and the following instruction.

The three instructions below are privileged.

```
LD SP,HL ; load the stack pointer
LD SP,IY
LD SP,IX
```

The instructions to load the stack are privileged so that they can be followed by an instruction to load the stack segment (SSEG) register without the danger of an interrupt taking place with and incorrect association between the stack pointer and the stack segment register. For example,

```
LD SP,HL
IOI LD (STACKSEG),A
```

The following instructions are privileged.

```
IPSET 0 ; shift IP left and set priority 00 in bits 1,0
IPSET 1
IPSET 2
IPSET 3
IPRES ; rotate IP right 2 bits, restoring previous priority
POP IP ; pop IP register from stack
```

The instructions to modify the IP register are privileged so that they can be followed by a return instructions that is guaranteed to execute before another interrupt takes place. This avoids the possibility of an ever-growing stack.

```
RETI ; pops IP from stack and then pops return address
```

The instruction `reti` can be used to set both the return address and the IP in a single instruction. If preceded by a `LD XPC`, a complete jump or call to a computed address can be done with no possible interrupt.

```
LD A,XPC ; get and set the XPC
LD XPC,A
```

The instruction `LD XPC,A` is privileged so that it can be followed by other code setting interrupt priority or program counter without an intervening interrupt.

```
BIT B,(HL) ; test a bit in memory
```

The instruction `bit B, (HL)` is privileged to make it possible to implement a semaphore without disabling interrupts. The following sequence is used. A bit is a semaphore, and the first task to set the bit owns the semaphore and has a right to manipulate the resources associated with the semaphore.

```
BIT B,(HL)
SET B,(HL)
JP z,ihaveit
; here I don't have it
```

The `SET` instruction has no effect on the flags. Since no interrupt takes place after the `BIT` instruction, if the flag is zero that means that the semaphore was not set when tested by the bit instruction and that the set instruction has set the semaphore. If an interrupt was allowed between the `BIT` and set instructions, another routine could set the semaphore and two routines could think that they both owned the semaphore.

19. DIFFERENCES RABBIT VS. Z80/Z180 INSTRUCTIONS

The Rabbit is highly code compatible with the Z80 and Z180, and it is easy to port non I/O dependent code. The main areas of incompatibility are instructions that are concerned with I/O or particular hardware implementations. The more important instructions that were dropped from the Z80/Z180 are automatically simulated by an instruction sequence in the Dynamic C assembler. A few fairly useless instructions have been dropped and cannot be easily simulated. Code using these instructions should be rewritten.

The following Z80/Z180 instructions have been dropped and there are no exact substitutes.

```
DAA, HALT, DI, EI, IM 0, IM 1, IM 2, OUT, IN, OUT0, IN0, SLP, OUTI,  
IND, OUTD, INIR, OTIR, INDR, OTDR, TESTIO, MLT SP, RRD, RLD, CPI,  
CPIR, CPD, CPDR
```

Most of these op codes deal with I/O devices and thus do not represent transportable code. The only opcodes that are not processor I/O related are **MLT SP**, **DAA**, **RRD**, **RLD**, **CPI**, **CPIR**, **CPD**, and **CPDR**. **MLT SP** is not a practical op code. The codes that are concerned with decimal arithmetic, **DAA**, **RRD**, and **RLD**, could be simulated, but the simulation is very inefficient. (The bit in the status register used for half carry is available and can be set and cleared using the **PUSH AF** and **POP AF** instructions to gain access.) Usually code that uses these instructions should be rewritten. The instructions **CPI**, **CPIR**, **CPD**, and **CPDR** are repeating compare instructions. These instructions are not very useful because the scan stops when equal compare is detected. Unequal compare would be more useful. They are difficult to simulate efficiently, so it is suggested that code using these instructions be rewritten, which in most cases should be quite easy.

The following op codes are dropped.

```
RST 0, RST 8, RST 0x30
```

The remaining **RST** instructions are kept, but the interrupt vector is relocated to a variable location the base of which is established by the IIR register. **RST** can be simulated by a call instruction, but this is not done automatically by the assembler since most of these instructions are used for debugging by Dynamic C.

The following instruction has had its op code changed.

```
EX (SP),HL - old opcode 0x0E3, new opcode - 0x0ED-0x054
```

The following instructions use different register names.

```
LD A,EIR
LD EIR,A ; was I register
LD IIR,A
LD A,IIR ; was R register
```

The following Z80/Z180 instructions have been dropped and are not supported. Alternative Rabbit instructions are provided.

Z80/Z180 Instructions Dropped	Rabbit Instructions to Use
CALL CC,ADR	JR (JP) ncc,xxx ; reverse condition CALL ADR xxx:
TST R ((HL),n)	PUSH DE PUSH AF AND r ((HL), n) POP DE ; get a in h LD A,d POP DE

20. INSTRUCTIONS IN ALPHABETICAL ORDER WITH BINARY ENCODING

Spreadsheet Conventions

ALTD (“A” Column) Symbol Key

Flag	Description
f	ALTD selects alternate flags
fr	ALTD selects alternate flags and register
r	ALTD selects alternate register
s	ALTD operation is a special case

IOI and IOE (“I” Column) Symbol Key

Flag	Description
b	IOI and IOE affect source and destination
d	IOI and IOE affect destination
s	IOI and IOE affect source

Flag Register Key

S	Z	L/V *	C	Description
*				Sign flag affected
-				Sign flag not affected
	*			Zero flag affected
	-			Zero flag not affected
		L		L/V flag contains logical check result
		V		L/V flag contains arithmetic overflow result
		0		L/V flag is cleared
		*		L/V flag is affected
			*	Carry flag is affected
			-	Carry flag is not affected
			0	Carry flag is cleared
			1	Carry flag is set

* The L/V (logical/overflow) flag serves a dual purpose—L/V is set to 1 for logical operations if any of the four most significant bits of the result are 1, and L/V is reset to 0 if all four of the most significant bits of the result are 0.

Symbols

Rabbit	Z180	Meaning
b	b	Bit select: 000 = bit 0, 001 = bit 1, 010 = bit 2, 011 = bit 3, 100 = bit 4, 101 = bit 5, 110 = bit 6, 111 = bit 7
cc	cc	Condition code select: 00 = NZ, 01 = Z, 10 = NC, 11 = C
d	d	7-bit (signed) displacement. Expressed in two's complement.
dd	ww	Word register select destination: 00 = BC, 01 = DE, 10 = HL, 11 = SP
dd'		Word register select alternate: 00 = BC', 01 = DE', 10 = HL'
e	j	8-bit (signed) displacement added to PC.
f	f	Condition code select: 000 = NZ (non zero), 001 = Z (zero), 010 = NC (non carry), 011 = C (carry), 100 = LZ* (logical zero), 101 = LO [†] (logical one), 110 = P (sign plus), 111 = M (sign minus)
m	m	MSB of a 16-bit constant.
mn	mn	16-bit constant.
n	n	8-bit constant or LSB of a 16-bit constant.
r, g	g, g'	Byte register select: 000 = B, 001 = C, 010 = D, 011 = E, 100 = H, 101 = L, 111 = A
ss	ww	Word register select (source): 00 = BC, 01 = DE, 10 = HL, 11 = SP
v	v	Restart address select: 010 = 0x0020, 011 = 0x0030, 100 = 0x0040, 101 = 0x0050, 111 = 0x0070
xx	xx	Word register select: 00 = BC, 01 = DE, 10 = IX, 11 = SP
yy	yy	Word register select: 00 = BC, 01 = DE, 10 = IY, 11 = SP
zz	zz	Word register select: 00 = BC, 01 = DE, 10 = HL, 11 = AF

* Logical zero if all four of the most significant bits of the result are 0.

† Logical one if any of the four most significant bits of the result are 1.

Instruction	Byte 1	Byte 2	Byte 3	Byte 4	clk	A	I	S	Z	V	C
ADC A, (HL)	10001110				5	fr	s	*	*	V	*
ADC A, (IX+d)	11011101	10001110	----d---		9	fr	s	*	*	V	*
ADC A, (IY+d)	11111101	10001110	----d---		9	fr	s	*	*	V	*
ADC A,n	11001110	----n---			4	fr		*	*	V	*
ADC A,r	10001-r-				2	fr		*	*	V	*
ADC HL,ss	11101101	01ss1010			4	fr		*	*	V	*
ADD A, (HL)	10000110				5	fr	s	*	*	V	*
ADD A, (IX+d)	11011101	10000110	----d---		9	fr	s	*	*	V	*
ADD A, (IY+d)	11111101	10000110	----d---		9	fr	s	*	*	V	*
ADD A,n	11000110	----n---			4	fr		*	*	V	*
ADD A,r	10000-r-				2	fr		*	*	V	*
ADD HL,ss	00ss1001				2	fr	-	-	-	*	
ADD IX,xx	11011101	00xx1001			4	f	-	-	-	*	
ADD IY,yy	11111101	00yy1001			4	f	-	-	-	*	
ADD SP,d	00100111	----d---			4	f	-	-	-	*	
ALTD	01110110				2		-	-	-	-	
AND (HL)	10100110				5	fr	s	*	*	L	0
AND (IX+d)	11011101	10100110	----d---		9	fr	s	*	*	L	0
AND (IY+d)	11111101	10100110	----d---		9	fr	s	*	*	L	0
AND HL,DE	11011100				2	fr		*	*	L	0
AND IX,DE	11011101	11011100			4	f		*	*	L	0
AND IY,DE	11111101	11011100			4	f		*	*	L	0
AND n	11100110	----n---			4	fr		*	*	L	0
AND r	10100-r-				2	fr		*	*	L	0
BIT b, (HL)	11001011	01-b-110			7	f	s	-	*	-	-
BIT b, (IX+d)	11011101	11001011	----d---	01-b-110	10	f	s	-	*	-	-
BIT b, (IY+d)	11111101	11001011	----d---	01-b-110	10	f	s	-	*	-	-
BIT b,r	11001011	01-b--r-			4	f		-	*	-	-
BOOL HL	11001100				2	fr		*	*	0	0
BOOL IX	11011101	11001100			4	f		*	*	0	0
BOOL IY	11111101	11001100			4	f		*	*	0	0
CALL mn	11001101	----n---	----m---		12		-	-	-	-	
CCF	00111111				2	f	-	-	-	*	
CP (HL)	10111110				5	f	s	*	*	V	*
CP (IX+d)	11011101	10111110	----d---		9	f	s	*	*	V	*
CP (IY+d)	11111101	10111110	----d---		9	f	s	*	*	V	*
CP n	11111110	----n---			4	f		*	*	V	*
CP r	10111-r-				2	f		*	*	V	*
CPL	00101111				2	r	-	-	-	-	
DEC (HL)	00110101				8	f	b	*	*	V	-
DEC (IX+d)	11011101	00110101	----d---		12	f	b	*	*	V	-
DEC (IY+d)	11111101	00110101	----d---		12	f	b	*	*	V	-
DEC IX	11011101	00101011			4		-	-	-	-	
DEC IY	11111101	00101011			4		-	-	-	-	
DEC r	00-r-101				2	fr		*	*	V	-
DEC ss	00ss1011				2	r	-	-	-	-	
ss= 00-BC, 01-DE, 10-HL, 11-SP											
DJNZ j	00010000	--(j-2)-			5	r	-	-	-	-	
EX (SP),HL	11101101	01010100			15	r	-	-	-	-	
EX (SP),IX	11011101	11100011			15		-	-	-	-	
EX (SP),IY	11111101	11100011			15		-	-	-	-	

Instruction	Byte 1	Byte 2	Byte 3	Byte 4	clk	A	I	S	Z	V	C
EX AF,AF'	00001000				2			-	-	-	-
EX DE,HL	11101011				2	s		-	-	-	-
EX DE',HL	11100011				2	s		-	-	-	-
EX DE,HL'	01110110	11100011			4	s		-	-	-	-
EX DE',HL'	01110110	11100011			4	s		-	-	-	-
EXX	11011001				2			-	-	-	-
INC (HL)	00110100				8	f	b	*	*	V	-
INC (IX+d)	11011101	00110100	----d---		12	f	b	*	*	V	-
INC (IY+d)	11111101	00110100	----d---		12	f	b	*	*	V	-
INC IX	11011101	00100011			4			-	-	-	-
INC IY	11111101	00100011			4			-	-	-	-
INC r	00-r-100				2	fr		*	*	V	-
INC ss	00ss0011				2	r		-	-	-	-
ss= 00-BC, 01-DE, 10-HL, 11-SP											
IOE	11011011				2			-	-	-	-
IOI	11010011				2			-	-	-	-
IPSET 0	11101101	01000110			4			-	-	-	-
IPSET 1	11101101	01010110			4			-	-	-	-
IPSET 2	11101101	01001110			4			-	-	-	-
IPSET 3	11101101	01011110			4			-	-	-	-
IPRES	11101101	01011101			4			-	-	-	-
JP (HL)	11101001				4			-	-	-	-
JP (IX)	11011101	11101001			6			-	-	-	-
JP (IY)	11111101	11101001			6			-	-	-	-
JP f,mn	11-f-010	----n---	----m---		7			-	-	-	-
JP mn	11000011	----n---	----m---		7			-	-	-	-
JR cc,e	001cc000	--(e-2)-			5			-	-	-	-
JR e	00011000	--(e-2)-			5			-	-	-	-
Note: If byte following op code is zero, next sequential instruction is executed. If byte is -2 (11111110) jr is to itself.											
LCALL xpc,mn	11001111	----n---	----m---	--xpc---	19			-	-	-	-
LD (BC),A	00000010				7		d	-	-	-	-
LD (DE),A	00010010				7		d	-	-	-	-
LD (HL),n	00110110	----n---			7		d	-	-	-	-
LD (HL),r	01110-r-				6		d	-	-	-	-
LD (HL+d),HL	11011101	11110100	----d---		13		d	-	-	-	-
LD (IX+d),HL	11110100	----d---			11		d	-	-	-	-
LD (IX+d),n	11011101	00110110	----d---	----n---	11		d	-	-	-	-
LD (IX+d),r	11011101	01110-r-	----d---		10		d	-	-	-	-
LD (IY+d),HL	11111101	11110100	----d---		13		d	-	-	-	-
LD (IY+d),n	11111101	00110110	----d---	----n---	11		d	-	-	-	-
LD (IY+d),r	11111101	01110-r-	----d---		10		d	-	-	-	-
LD (mn),A	00110010	----n---	----m---		10		d	-	-	-	-
LD (mn),HL	00100010	----n---	----m---		13		d	-	-	-	-
LD (mn),IX	11011101	00100010	----n---	----m---	15		d	-	-	-	-
LD (mn),IY	11111101	00100010	----n---	----m---	15		d	-	-	-	-
LD (mn),ss	11101101	01ss0011	----n---	----m---	15		d	-	-	-	-
LD (SP+n),HL	11010100	----n---			11			-	-	-	-
LD (SP+n),IX	11011101	11010100	----n---		13			-	-	-	-
LD (SP+n),IY	11111101	11010100	----n---		13			-	-	-	-

Instruction	Byte 1	Byte 2	Byte 3	Byte 4	clk	A	I	S	Z	V	C
LD A, (BC)	00001010				6	r	s	-	-	-	-
LD A, (DE)	00011010				6	r	s	-	-	-	-
LD A, (mn)	00111010	----n---	----m---		9	r	s	-	-	-	-
LD A, EIR	11101101	01010111			4	fr	*	*	-	-	-
LD A, IIR	11101101	01011111			4	fr	*	*	-	-	-
LD A, XPC	11101101	01110111			4	r	-	-	-	-	-
LD dd, (mn)	11101101	01dd1011	----n---	----m---	13	r	s	-	-	-	-
LD dd', BC	11101101	01dd1001			4		-	-	-	-	-
LD dd', DE	11101101	01dd0001			4		-	-	-	-	-
LD dd, mn	00dd0001	----n---	----m---		6	r	-	-	-	-	-
LD bc, mn	00000001	...									
LD de, mn	00010001	...									
LD hl, mn	00100001	...									
LD sp, mn	00110001	...									
LD EIR, A	11101101	01000111			4		-	-	-	-	-
LD HL, (HL+d)	11011101	11100100	----d---		11	r	s	-	-	-	-
LD HL, (IX+d)	11100100	----d---			9	r	s	-	-	-	-
LD HL, (IY+d)	11111101	11100100	----d---		11	r	s	-	-	-	-
LD HL, (mn)	00101010	----n---	----m---		11	r	s	-	-	-	-
LD HL, (SP+n)	11000100	----n---			9	r	-	-	-	-	-
LD HL, IX	11011101	01111100			4	r	-	-	-	-	-
LD HL, IY	11111101	01111100			4	r	-	-	-	-	-
LD IIR, A	11101101	01001111			4		-	-	-	-	-
LD IX, (mn)	11011101	00101010	----n---	----m---	13		s	-	-	-	-
LD IX, (SP+n)	11011101	11000100	----n---		11		-	-	-	-	-
LD IX, HL	11011101	01111101			4		-	-	-	-	-
LD IX, mn	11011101	00100001	----n---	----m---	8		-	-	-	-	-
LD IY, (mn)	11111101	00101010	----n---	----m---	13		s	-	-	-	-
LD IY, (SP+n)	11111101	11000100	----n---		11		-	-	-	-	-
LD IY, HL	11111101	01111101			4		-	-	-	-	-
LD IY, mn	11111101	00100001	----n---	----m---	8		-	-	-	-	-
LD r, (HL)	01-r-110				5	r	s	-	-	-	-
LD r, (IX+d)	11011101	01-r-110	----d---		9	r	s	-	-	-	-
LD r, (IY+d)	11111101	01-r-110	----d---		9	r	s	-	-	-	-
LD r, g	01-r---g				2	r	-	-	-	-	-
LD r, n	00-r-110	----n---			4	r	-	-	-	-	-
LD SP, HL	11111001				2		-	-	-	-	-
LD SP, IX	11011101	11111001			4		-	-	-	-	-
LD SP, IY	11111101	11111001			4		-	-	-	-	-
LD XPC, A	11101101	01100111			4		-	-	-	-	-
LDD	11101101	10101000			10		d	-	-	*	-
LDDR	11101101	10111000			6+7i		d	-	-	*	-
LDI	11101101	10100000			10		d	-	-	*	-
LDIR	11101101	10110000			6+7i		d	-	-	*	-
LDP (HL), HL	11101101	01100100			12		-	-	-	-	-
LDP (IX), HL	11011101	01100100			12		-	-	-	-	-
LDP (IY), HL	11111101	01100100			12		-	-	-	-	-
LDP (mn), HL	11101101	01100101	----n---	----m---	15		-	-	-	-	-
LDP (mn), IX	11011101	01100101	----n---	----m---	15		-	-	-	-	-
LDP (mn), IY	11111101	01100101	----n---	----m---	15		-	-	-	-	-

Instruction	Byte 1	Byte 2	Byte 3	Byte 4	clk	A	I	S	Z	V	C
LDP HL, (HL)	11101101	01101100			10		-	-	-	-	
LDP HL, (IX)	11011101	01101100			10		-	-	-	-	
LDP HL, (IY)	11111101	01101100			10		-	-	-	-	
LDP HL, (mn)	11101101	01101101	----n---	----m---	13		-	-	-	-	
LDP IX, (mn)	11011101	01101101	----n---	----m---	13		-	-	-	-	
LDP IY, (mn)	11111101	01101101	----n---	----m---	13		-	-	-	-	
LJP nbr, mn	11000111	----n---	----m---	--nbr---	10		-	-	-	-	
LRET	11101101	01000101			13		-	-	-	-	
MUL	11110111				12		-	-	-	-	
NEG	11101101	01000100			4	fr	*	*	V	*	
NOP	00000000				2		-	-	-	-	
OR (HL)	10110110				5	fr	s	*	*	L	0
OR (IX+d)	11011101	10110110	----d---		9	fr	s	*	*	L	0
OR (IY+d)	11111101	10110110	----d---		9	fr	s	*	*	L	0
OR HL, DE	11101100				2	fr	*	*	L	0	
OR IX, DE	11011101	11101100			4	f	*	*	L	0	
OR IY, DE	11111101	11101100			4	f	*	*	L	0	
OR n	11110110	----n---			4	fr	*	*	L	0	
OR r	10110-r-				2	fr	*	*	L	0	
POP IP	11101101	01111110			7		-	-	-	-	
POP IX	11011101	11100001			9		-	-	-	-	
POP IY	11111101	11100001			9		-	-	-	-	
POP zz	11zz0001				7	r	-	-	-	-	
PUSH IP	11101101	01110110			9		-	-	-	-	
PUSH IX	11011101	11100101			12		-	-	-	-	
PUSH IY	11111101	11100101			12		-	-	-	-	
PUSH zz	11zz0101				10		-	-	-	-	
RES b, (HL)	11001011	10-b-110			10		d	-	-	-	-
RES b, (IX+d)	11011101	11001011	----d---	10-b-110	13		d	-	-	-	-
RES b, (IY+d)	11111101	11001011	----d---	10-b-110	13		d	-	-	-	-
RES b, r	11001011	10-b--r-			4	r	-	-	-	-	-
RET	11001001				8		-	-	-	-	-
RET f	11-f-000				8/2		-	-	-	-	-
RETI	11101101	01001101			12		-	-	-	-	-
RL (HL)	11001011	00010110			10	f	b	*	*	L	*
RL (IX+d)	11011101	11001011	----d---	00010110	13	f	b	*	*	L	*
RL (IY+d)	11111101	11001011	----d---	00010110	13	f	b	*	*	L	*
RL DE	11110011				2	fr	*	*	L	*	
RL r	11001011	00010-r-			4	fr	*	*	L	*	
RLA	00010111				2	fr	-	-	-	*	
RLC (HL)	11001011	00000110			10	f	b	*	*	L	*
RLC (IX+d)	11011101	11001011	----d---	00000110	13	f	b	*	*	L	*
RLC (IY+d)	11111101	11001011	----d---	00000110	13	f	b	*	*	L	*
RLC r	11001011	00000-r-			4	fr	*	*	L	*	
RLCA	00000111				2	fr	-	-	-	*	
RR (HL)	11001011	00011110			10	f	b	*	*	L	*
RR (IX+d)	11011101	11001011	----d---	00011110	13	f	b	*	*	L	*
RR (IY+d)	11111101	11001011	----d---	00011110	13	f	b	*	*	L	*
RR DE	11111011				2	fr	*	*	L	*	
RR HL	11111100				2	fr	*	*	L	*	
RR IX	11011101	11111100			4	f	*	*	L	*	
RR IY	11111101	11111100			4	f	*	*	L	*	

Instruction	Byte 1	Byte 2	Byte 3	Byte 4	clk	A	I	S	Z	V	C
RR r	11001011	00011-r-			4	fr	*	*	L	*	
RRA	00011111				2	fr	-	-	-	*	
RRC (HL)	11001011	00001110			10	f	b	*	*	L	*
RRC (IX+d)	11011101	11001011	----d---	00001110	13	f	b	*	*	L	*
RRC (IY+d)	11111101	11001011	----d---	00001110	13	f	b	*	*	L	*
RRC r	11001011	00001-r-			4	fr	*	*	L	*	
RRCA	00001111				2	fr	-	-	-	*	
RST v	11-v-111	[v=2,3,4,5,7 only]			8		-	-	-	-	
SBC (IX+d)	11011101	10011110	----d---		9	fr	s	*	*	V	*
SBC (IY+d)	11111101	10011110	----d---		9	fr	s	*	*	V	*
SBC A, (HL)	10011110				5	fr	s	*	*	V	*
SBC A,n	11011110	----n---			4	fr	*	*	V	*	
SBC A,r	10011-r-				2	fr	*	*	V	*	
SBC HL,ss	11101101	01ss0010			4	fr	*	*	V	*	
SCF	00110111				2	f	-	-	-	1	
SET b, (HL)	11001011	11-b-110			10		b	-	-	-	-
SET b, (IX+d)	11011101	11001011	----d---	11-b-110	13		b	-	-	-	-
SET b, (IY+d)	11111101	11001011	----d---	11-b-110	13		b	-	-	-	-
SET b,r	11001011	11-b--r-			4	r	-	-	-	-	
SLA (HL)	11001011	00100110			10	f	b	*	*	L	*
SLA (IX+d)	11011101	11001011	----d---	00100110	13	f	b	*	*	L	*
SLA (IY+d)	11111101	11001011	----d---	00100110	13	f	b	*	*	L	*
SLA r	11001011	00100-r-			4	fr	*	*	L	*	
SRA (HL)	11001011	00101110			10	f	b	*	*	L	*
SRA (IX+d)	11011101	11001011	----d---	00101110	13	f	b	*	*	L	*
SRA (IY+d)	11111101	11001011	----d---	00101110	13	f	b	*	*	L	*
SRA r	11001011	00101-r-			4	fr	*	*	L	*	
SRL (HL)	11001011	00111110			10	f	b	*	*	L	*
SRL (IX+d)	11011101	11001011	----d---	00111110	13	f	b	*	*	L	*
SRL (IY+d)	11111101	11001011	----d---	00111110	13	f	b	*	*	L	*
SRL r	11001011	00111-r-			4	fr	*	*	L	*	
SUB (HL)	10010110				5	fr	s	*	*	V	*
SUB (IX+d)	11011101	10010110	----d---		9	fr	s	*	*	V	*
SUB (IY+d)	11111101	10010110	----d---		9	fr	s	*	*	V	*
SUB n	11010110	----n---			4	fr	*	*	V	*	
SUB r	10010-r-				2	fr	*	*	V	*	
XOR (HL)	10101110				5	fr	s	*	*	L	0
XOR (IX+d)	11011101	10101110	----d---		9	fr	s	*	*	L	0
XOR (IY+d)	11111101	10101110	----d---		9	fr	s	*	*	L	0
XOR n	11101110	----n---			4	fr	*	*	L	0	
XOR r	10101-r-				2	fr	*	*	L	0	
ZINTACK (interrupt)					10		-	-	-	-	

APPENDIX A.

THE RABBIT PROGRAMMING PORT

A.1 The Rabbit Programming Port

The programming port provides a standard physical and electrical interface between a Rabbit-based system and the Dynamic C programming platform. A special interface cable and converter connects a PC serial port to the programming port. The programming port is implemented by means of a 10-pin standard 2 mm connector. (Of course the user can change the physical implementation of the connector if he so desires.) With this setup the PC can communicate with the target, reset it and reboot it. The DTR line on the PC serial interface is used to drive the target reset line, which should be drivable by an external CMOS driver. The STATUS pin is used to by the Rabbit-based target to request attention when a breakpoint is encountered in the target under test. The SMODE pins are pulled up by a +5 V/+3 V level from the interface. They should be pulled down on the board when the interface is not in use by approximately 5 kΩ resistors to ground. The target under test provides the +5 V or +3 V to the interface cable which is used to power the RS-232 driver and receiver.

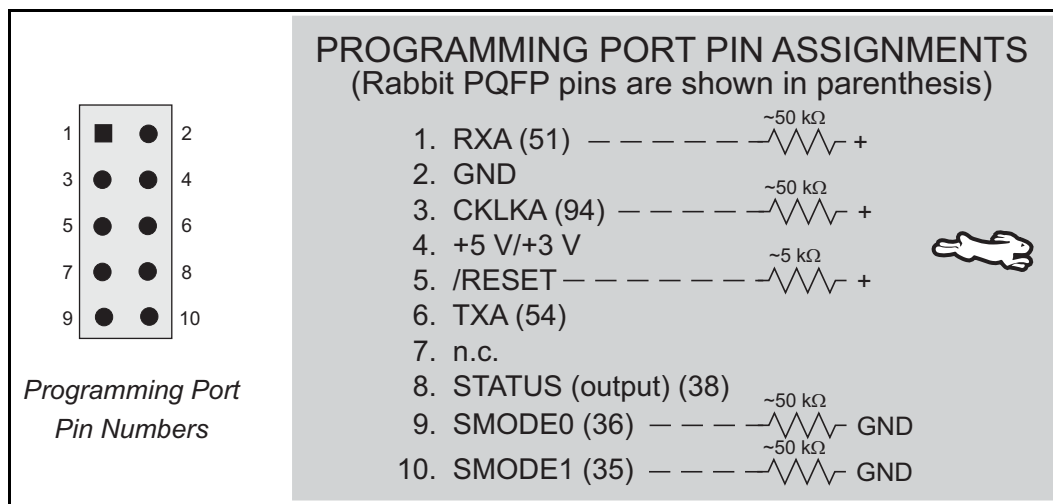


Figure A-1. Rabbit Programming Port

A.2 Use of the Programming Port as a Diagnostic/Setup Port

The programming port, which is already in place, can serve as a convenient communications port for field setup, diagnosis or other occasional communication need (for example, as a diagnostic port). There are several ways that the port can be automatically integrated into the user's software scheme. If the purpose of the port is simply to perform a setup function, that is, write setup information to flash memory, then the controller can be reset through the programming port, followed by a cold boot to start execution of a special program dedicated to this functionality.

The standard programming cable connects the programming interface to a PC programming port. The /RESET line can be asserted by manipulating DTR on the PC serial port and the STATUS line can be read by the PC as DSR on the serial port. The PC can restart the target by pulsing reset and then, after a short delay, sending a special character string at 2400 bps. To simply restart the BIOS, the string 0x80, 0x24, 0x80 can be sent. When the BIOS is started, it can tell whether the **PROG** connector on the programming cable is connected because the SMODE1, SMODE0 pins are sensed as high. This will cause the BIOS to think that it should enter programming mode. The Dynamic C programming mode then can have an escape message that will enable the diagnostic serial port function.

Another approach to enabling the diagnostic port is to poll the serial port periodically to see if communication needs to begin or to enable the port and wait for interrupts. The SMODE pins can be used for signaling and can be detected by a poll. However, recall that the SMODE pins have a special function after reset and will inhibit normal reset behavior if not held low. The pull-up resistors on RXA and CLKA prevent spurious data reception that might take place if the pins floated.

If the clocked serial mode is used, the serial port can be driven by having two toggling lines that can be driven and one line that can be sensed. This allows a conversation with a device that does not have an asynchronous serial port but that has two output signal lines and one input signal line.

The line TXA (also called PC6) is zero after reset if cold boot mode is not enabled. A possible way to detect the presence of a cable on the programming port is for the cable to connect TXA to one of the SMODE pins and then test for the connection by raising PC6 and reading the SMODE pin after the cold boot mode has been disabled.

A.3 Alternate Programming Port

The programming port uses serial port A. If the user needs to use serial port A in an application, an alternate method of programming is possible using the same 10-pin programming port. For his own application the user should use the alternate I/O pins for port A that share pins with parallel port D. The TXA and RXA pins on the 10-pin programming port are then a parallel port output and parallel port input using pins 6 and 7 on parallel port C. Using these two ports plus the STATUS pin as an output clock, the user can create a synchronous clocked communication port using instructions to toggle the clock and data. Another Rabbit-based board can be used to translate the clocked serial signal to an asyn-

chronous signal suitable for the PC. Since the target controls the clock for both send and receive, the data transmission proceeds at a rate controlled by the target board under development.

This scheme does not allow for an interrupt, and it is not desirable to use up an external interrupt for this purpose. The serial port may be used, if desired, During program load because there is no conflict with the user's program at compile load time. However, the user's program will conflict during debugging. The nature of the transmissions during debugging is such that the user program starts at a break point or otherwise wants to get the attention of the PC. The other type of message is when the PC wants to read or write target memory while the target is running.

The target toggling the clock can simply send a clocked serial message to get the attention of the PC. The intermediate communications board can accept these unsolicited messages using its clocked serial port. To prevent overrunning the receiver, the target can wait for a handshake signal on one of the SMODE lines or there can be suitable pre-arranged delays.

If the PC wants attention from the target it can set a line to request attention (SMODE). The target will detect this line in the periodic interrupt routine and handle the complete message in the periodic interrupt routine. This may slow down target execution, but the interrupts will be enabled on the target while the message is read. The intermediate board could split long messages into a series of shorter messages if this is a problem.

A.4 Suggested Rabbit Crystal Frequencies

Table 15-2 provides a list of suggested Rabbit operating frequencies. The crystal can be half the operating frequency if the clock doubler is used up to approximately 29.5 MHz. Beyond this operating clock speed, it is necessary to use an X1 crystal or an external oscillator because asymmetry in the waveform generated by the oscillator becomes a variation in the clock speed if the clock speed is doubled.

APPENDIX B. RABBIT 2000 REVISIONS

B.1 Rabbit 2000 Revisions

Since its release, the Rabbit 2000 microprocessor has gone through a number of revisions. The revisions reflect bug fixes, improvements, and the introduction of new features. All Rabbit 2000 revisions are pin-compatible and transparently replace previous versions of the chip.

The Rabbit 2000 has been supplied in the following versions.

1. **Original Rabbit 2000**—identified by *IQ2T* on the package. This original Rabbit 2000 began shipping in November, 1999, and was phased out in January, 2002. There were several bugs:
 - (a) Certain instructions did not function correctly as described in Technical Note TN302, *Rabbit 2000 Instruction Bug*. The Dynamic C compiler corrects this situation automatically.
 - (b) The external interrupt inputs had to be tied together with a resistor as described in Technical Note TN301, *Rabbit 2000 Microprocessor Interrupt Problem*.
 - (c) Wait states did not function properly when used to access code in slower memories because certain instructions failed in these circumstances. This bug is fixed in the Rabbit 2000A through Rabbit 2000C revisions.
2. **First revision (Rabbit 2000A)**—identified by *IQ3T* on the package. This version began shipping in January, 2002. All the bugs in the original Rabbit 2000 were fixed, and additional new features were added:
 - (a) Support for separate I & D space.
 - (b) An additional register in the serial port hardware simplifies sending out an additional stop bit or parity bit.
 - (c) Improvements in the battery-backup hardware allow for implementation of a simplified circuit for backing up the real-time clock and associated static RAM. A new bug exists in the block copy instruction between separate I & D spaces that is only active when the separate I & D space is enabled. This bug is automatically corrected by Dynamic C.

3. **Second revision (Rabbit 2000B)**—identified by *IQ4T* on the package. This version began shipping in samples and very low volume to select customers having problems with EMI in April, 2002. This part was phased out and will be replaced by the Rabbit 2000C for volume orders. This version has the clock spectrum spreader, but lacks the early I/O enable, which results in tight specifications for memory I/O enable. The clock doubler unit uses codes incompatible with earlier revisions. Furthermore, a problem with LDIR/LDDR operation and Instruction/Data split was discovered. These problems are all corrected in the Rabbit 2000C.
4. **Third revision (Rabbit 2000C)**—identified by *IQ5T* on the package. Z-World and Rabbit Semiconductor products using the Rabbit 2000 chip will begin using the Rabbit 2000C chip in November, 2002. This version is the same as the Rabbit 2000B, except that the early I/O enable is implemented and the clock doubler codes are compatible with earlier versions. Although the LDIR/LDDR bug outlined in the Rabbit 2000B description is fixed, a new bug related to block move operations and wait states was discovered. This bug is automatically corrected by Dynamic C.

Rabbit 2000 chips identified by *UQ5T* on the package are RoHS-compliant. The *UQ5T* RoHS versions were introduced in 2007, and both *IQ5T* and *UQ5T* versions are presently available.

B.2 Discussion of Fixes and Improvements

Table B-1 lists bug fixes, improvements, and additions for the various revisions of the Rabbit 2000.

Table B-1. Summary of Rabbit 2000 Fixes and Improvements

Description	Rabbit 2000 (IQ2T)	Rabbit 2000A (IQ3T)	Rabbit 2000B (IQ4T)	Rabbit 2000C (IQ5T/ UQ5T*)
ID Registers for version/revision identification.	X	X	X	X
Added Long Stop Register for asynch 9-bit operation.		X	X	X
Added clocked serial command for full-duplex operation.		X	X	X
Improved battery-backup hardware.		X	X	X
Added support for Instruction/Data split.		X	X	X
Implemented write inhibit (/WE0) after reset.		X	X	X
Chip selects inactive during internal I/O.		X	X	X
Corrected external interrupt input bug.		X	X	X
Corrected IOI/IOE prefix bug.		X	X	X
Corrected DDCB/FDCB instruction bug.		X	X	X
Corrected wait-state bug.		X	X	X
Corrected LDIR/LDDR Instruction/Data split bug.			X	X
Added clock spectrum spreader module.			X	X
Added early I/O enable feature.				X

* RoHS version

B.2.1 Rabbit Internal I/O Registers

Table B-2 summarizes the reset state of the new I/O registers added in the Rabbit 2000 revisions.

Table B-2. Reset State of Rabbit 2000x I/O Registers

Register Name	Present in Rev.	Mnemonic	I/O Address	R/W	Reset
Global Clock Modulator 0 Register	B–C	GCM0R	0x0A	W	00000000
Global Clock Modulator 1 Register	B–C	GCM1R	0x0B	W	00000000
Memory Bank 0 Control Register	A–C	MB0CR	0x14	W	00001000
Memory Timing Control Register	C	MTCR	0x19	W	xxxx0000
Global CPU Configuration Register	A–C	GCPU	0x2E	R	0xx00000
Rabbit 2000 Global Revision Register	A–C	GREV	0x2F	R	0xx00000
Rabbit 2000A Global Revision Register					0xx00001
Rabbit 2000B Global Revision Register					0xx00010
Rabbit 2000C Global Revision Register					0xx00011
Serial Port A Long Stop Register	A–C	SALR	0xC2	R/W	xxxxxxxx
Serial Port B Long Stop Register	A–C	SBLR	0xD2	R/W	xxxxxxxx
Serial Port C Long Stop Register	A–C	SCLR	0xE2	R/W	xxxxxxxx
Serial Port D Long Stop Register	A–C	SDLR	0xF2	R/W	xxxxxxxx

B.2.2 Revision-Level ID Register

Two read-only registers are provided to allow software to identify the Rabbit microprocessor and recognize the features and capabilities of the chip. Five bits in each of these registers are unique to each version of the chip. One register identifies the CPU (GCPU), and the other register is reserved for revision identification (GREV). The CPU identification (GCPU) of all revisions of the Rabbit 2000 microprocessor is the same. Rabbit 2000 revisions are differentiated by the value in the GREV register.

Table B-3 summarizes the processor identification information for the different Rabbit 2000 versions.

Table B-3. Rabbit 2000 Revision Identification Information

Processor Revision	Package Identifier	GCPU [4:0]	GREV [4:0]
Rabbit 2000	IQ2T	00000	00000
Rabbit 2000A	IQ3T	00000	00001
Rabbit 2000B	IQ4T	00000	00010
Rabbit 2000C	IQ5T	00000	00011

Details of the CPU ID registers are listed in Table B-4 and Table B-5.

Table B-4. Global CPU Register

Global CPU Register (GCPU) (Address = 0x2E)		
Bit(s)	Value	Description
7 (read only)	0	Program fetch as a function of the SMODE pins.
	1	Ignore the SMODE pins program fetch function.
6:5	read	These bits report the state of the SMODE pins.
4:0	00001	CPU identifier for the Rabbit 2000 microprocessor

Table B-5. Global Revision Register

Global Revision Register (GREV) (Address = 0x2F)		
Bit(s)	Value	Description
7 (read only)	0	Program fetch as a function of the SMODE pins.
	1	Ignore the SMODE pins program fetch function.
6:5	read	These bits report the state of the SMODE pins.
4:0	00000	Revision identifier for the Rabbit 2000
	00001	Revision identifier for the Rabbit 2000A
	00010	Revision identifier for the Rabbit 2000B
	00011	Revision identifier for the Rabbit 2000C

B.2.3 Serial Port Changes

Two features were added to the Rabbit 2000 serial port hardware in revisions A–C to improve and simplify asynchronous serial and clocked serial communication.

Asynchronous Serial Port

In the asynchronous transmission mode, serial data are transmitted in the following order.

Table B-6. Asynchronous Serial Data Transmission Order

Start	Data Bits	Stop Bit or Special Flag	Stop Bit
start bit	7 or 8 data bits	stop bit	—
		stop bit	stop bit
		address flag	stop bit
		parity bit	stop bit

In the original Rabbit 2000 it was difficult to transmit the additional stop bit. This could only be done by inserting a time delay before the next byte was transmitted. An additional register, the *long stop register*, was added in revisions A–C. The register serves as an alternate data-out register, and data stored in this register will be transmitted with 2 stop bits (high level at the Tx pin). This simplifies implementing “9th bit” protocols as well as sending parity for compatibility with legacy systems. With the new register, data may be conveniently transmitted with either a “1” or “0” bit inserted following the last data bit, and that bit will then be followed by a stop bit.

Section 12.6 and Section 12.7 provide additional information about asynchronous serial data transmission.

The Serial Port x Long Stop Register (SxLR) is only present in revisions A–C.

Table B-7. Long Stop Register, All Ports

Serial Port x Long Stop Register		(SALR) (SBLR) (SCLR) (SDLR)	(Address = 0xC2) (Address = 0xD2) (Address = 0xE2) (Address = 0xF2)
Bit(s)	Value	Description	
7:0	Read	Returns the contents of the receive buffer.	
	Write	Loads the transmit buffer with an address byte, marked with a “one” address bit, for transmission.	

Synchronous Serial Port

To initiate basic sending or receiving in the clocked serial mode, a command must be issued by writing to bits (7,6) of the control register for each byte sent or received. There is one command to send a byte, and a different command to receive a byte. For full-duplex communication, it is necessary that a Tx command be issued first, followed within one-half bit time by the Rx command. The new feature added to revisions A–C contains a command that initiates a transmit and receive at the same time for better support of full-duplex communication.

Table B-8. Serial Port Control Register Ports A and B

Serial Port x Control Register		(SACR) (SBCR)	(Address = 0xC4) (Address = 0xD4)
Bit(s)	Value	Description	
7:6	00	No operation. These bits are ignored in the asynch mode.	
	01	In clocked serial mode, start a byte receive operation.	
	10	In clocked serial mode, start a byte transmit operation.	
	11	In clocked serial mode, start a byte transmit operation and a byte receive operation simultaneously. Only available in revisions A–C	
5:4	00	Parallel Port C is used for input.	
	01	Parallel Port D is used for input.	
	1x	Disable the receiver input.	
3:2	00	Asynch mode with 8 bits per character.	
	01	Asynch mode with 7 bits per character. In this mode the most significant bit of a byte is ignored for transmit, and is always zero in receive data.	
	10	Clocked serial mode with external clock. Serial Port A clock is on Parallel Port PB1 Serial Port B clock is on Parallel Port PB0	
	11	Clocked serial mode with internal clock. Serial Port A clock is on Parallel Port PB1 Serial Port B clock is on Parallel Port PB0	
1:0	00	The Serial Port interrupt is disabled.	
	01	The Serial Port uses Interrupt Priority 1.	
	10	The Serial Port uses Interrupt Priority 2.	

B.2.4 Improved Battery-Backup Circuit

Improvements were made in revisions A–C to reduce the internal power consumption of the RTC circuit. In addition, external circuitry was designed to further reduce power consumption by the overall oscillator circuit in board-level products based on the Rabbit 2000.

Low-Power Oscillator Design

An external low-current oscillator can be built using an inexpensive single-gate (tiny logic) unbuffered inverter. The current consumption of this circuit is about 4 μA with a 2 V supply. Using this circuit, oscillation continues even when the voltage drops to 0.8 V, and oscillation is still very strong at 1.2 V. The oscillator should have its exposed circuit traces conformally coated to prevent the possibility of loading the circuit by conduction on the PC board surface in a moist atmosphere. (Rabbit Semiconductor has published an application note on conformal coating, Technical Note TN303, *Conformal Coatings*.)

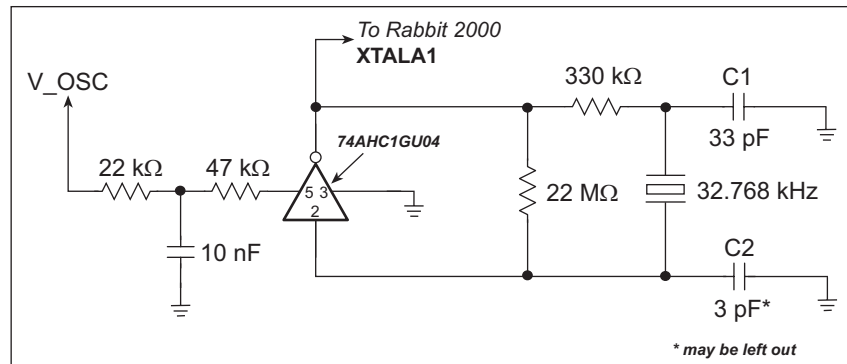


Figure B-1. Low-Power 32.768 kHz Oscillator Circuit

The capacitors on either side of the crystal provide the load capacitance, which is specified by the crystal manufacturer. Typically the load capacitance is about 12 pF. This is the capacitance that should be in parallel with the crystal for it to operate at the specified frequency. C1 and C2 provide this load capacitance. The formula for the load capacitance is

$$C_L = \frac{(C1) * (C2 + C_i)}{C1 + (C2 + C_i)} + C_{stray}$$

This is just the formula the capacitance of two capacitors in series plus any stray capacitance in the board layout, perhaps 2 pF. Note that the input capacitance of the gate (C_{in}) must also be taken into account. The gate input capacitance is not constant, but is a function of frequency. Thus if it is measured, it should be done with a sine-wave generator operating at 32 kHz. The output capacitance is not relevant because the 330 k Ω resistor isolates it from the crystal. If C2 is made smaller, this will increase the voltage swing on

the gate input and allow the oscillator to operate at a lower voltage. This oscillator will start at about 1.2 V and operate down to about 0.75 V. The 47 k Ω resistor limits the short-circuit current when the CMOS gate is switching, and thus limits the overall current consumption. The 330 k Ω resistor is needed to limit crystal drive at higher operating voltages, but if the 330 k Ω resistor is too large, it will adversely affect low-voltage operation.

Typical 32.768 kHz crystals are specified for a maximum drive level of 1 μ W. A modest overdrive, perhaps 100% over this limit, will most likely have not any adverse effects except to cause the crystal to age more rapidly than specified. Aging is a gradual change of frequency of about 3 parts per million, and is most significant in the first few months of operation. The drive power can be computed from $P = (I^2) * R$, where I is the RMS AC current and R is the effective resistance of the crystal. Typical values for R are 20 k Ω for 32.768 kHz turning-fork crystals. Maximum values are often specified as 35 k Ω or 50 k Ω . If the effective resistance is 20 k Ω , then 1 μ W of power is reached when $I = 7 \mu$ A (RMS). It is logical to use the typical effective resistance rather than the maximum total resistance in computing drive power. If a particular crystal has a higher resistance, this indicates that it is losing more energy on each oscillation, perhaps because of surface contamination, and thus requires more power to sustain the same amplitude of physical flexure of the quartz. Thus the stress on the quartz will not be greater even though the drive power is greater for a unit that happens to have an effective resistance of 35 k Ω rather than the typical value of 20 k Ω . The current can be measured directly with a sensitive current probe, but it is easier to calculate the current by measuring the voltage swing at the gate input with a low-capacitance oscilloscope probe. The RMS voltage at this point is related to the RMS current by the relationship

$$I = V_{rms} * w * C_{total}$$

where

$$C_{total} = C_2 + C_i + C_{probe}$$

$$w = 2\pi * 32768$$

$$V_{rms} = 0.707 * V_{p-p}$$

If $C_{total} = 12$ pF, and the effective resistance is 20 k Ω , then the current (in μ A) and the drive power (in μ W) are given by

$$I = 2.5 * V_{rms}$$

$$P = 0.125 * (V_{rms})^2$$

or

$$I = 1.75 * V_{p-p}$$

$$P = 0.061 * (V_{p-p})^2$$

For a 5 V p-p swing, the power is 1.5 μ W. The power is 1.0 μ W for 4 V p-p, and the power is 0.5 μ W for 3 V p-p.

TN235, *External 32.768 kHz Oscillator Circuits*, provides further information on oscillator circuits and crystals.

B.2.5 Added Support for Instruction/Data Split

This option is available on revisions A–C. Code generated for the Rabbit 2000A will run on the Rabbit 2000B or 2000C, but not vice versa. The separate I & D space allows the root segment and the data segment, normally the first 52K of the 64K address space, to be mapped into separate spaces for instruction fetch (I space) and data fetch or store (D space). The advantage of this is that the size of the root data space can be expanded up to 52K without interfering with the root code space. The root code space, which has certain special properties, particularly faster subroutine linkage, can be expanded to fill up to 52K of root space. Formerly both spaces had to share the 52K of space. Separate I & D space is supported by Dynamic C version 7.30 or later. The data space is normally split into separate parts, one part for constants mapped to flash memory and the other part for variables mapped to RAM. The code space is mapped into the first 52K of flash memory. This option expands the size of root data and code while preserving the advantages of using the root, which may be accessed by 16-bit addresses. Use of the option is generally transparent for Dynamic C users. More information on separate I & D implementation will be available in the *Rabbit 2000 Designer's Handbook*, and is currently available in the *Rabbit 3000 Designers Handbook*.

The MMIDR register shown in Table B-9 is used to enable and configure separate I & D space support in addition to the /CS1 enable option used to improve the access time of battery-backable SRAM.

NOTE: Bits [7:5] and [3:0] were always written with zero in the original Rabbit 2000 chip.

Table B-9. MMU Instruction/Data Register (MMIDR = 0x010)

MMU Instruction/Data Register (MMIDR) (Address = 0x10)		
Bit(s)	Value	Description
7:6	00	These bits are ignored and always return zeros when read.
5	0	Enable A16 and A19 inversion independent of instruction/data.
	1	Enable A16 and A19 inversion (controlled by bits 0-3) for data accesses only. This enables the instruction/data split. This is separate I and D space.
4	0	Normal /CS1 operation.
	1	Force /CS1 always active. This will not cause any conflicts as long as the memory using /CS1 does not also share an Output Enable or Write Enable with another memory.
3	0	Normal operation.
	1	For a DATASEG access, invert A19 before MBxCR (bank select) decision.
2	0	Normal operation.
	1	For a DATASEG access: invert A16
1	0	Normal operation.
	1	For root access, invert A19 before MBxCR (bank select) decision.
0	0	Normal operation.
	1	For root access, invert A16

B.2.6 Write Inhibit (/WE0) After Reset

This feature, available in revisions A–C, modified the reset state of the MB0CR register to inhibit /WE0. Inhibiting writes after reset prevents the processor from inadvertently writing to an unprogrammed flash memory that doesn't have the software data protection enabled. In a flash memory where the software data protection is enabled, an inadvertent write will temporarily disable the flash memory if the memory is used to execute code.

This has not been a serious problem in the past for two reasons. First, programming systems using Dynamic C permanently enable software data protection, and second, most manufacturers ship their memory devices with software data protection permanently enabled.

Software data protection consists of a three-byte load sequence that is used to initiate program operation during the system power-up or power-down, providing protection from inadvertent write operations. Flash devices usually provide a chip-erase operation, which allows the user to erase the entire memory array to the '1's state. Flash devices are normally erased prior to shipment. When the Rabbit processor comes out of reset, it begins fetching instructions from address zero of the device connected to /CS0, /OE0, and /WE0, which in most cases is a flash memory. If the flash contains 0xff at address zero, the processor will decode this as an RST 38. An RST 38 vectors to an ISR area at address 0x70 and pushes the PC onto the stack, which by default is located at address 0x00 (flash memory). This can be a problem if the flash is repeatedly written to in an endless loop because flash memories can only endure a finite number of writes, typically about 100,000.

B.2.7 Chip Selects Inactive During Internal I/O

In the original Rabbit 2000, it was found that whichever chip select was mapped to MB0CR would become active during internal I/O operations. This behavior did not cause any problems, but was corrected in revisions A–C.

B.2.8 External Interrupt Input Bug Fix

The external interrupt bug discovered in the original Rabbit 2000 required the external interrupt inputs to be tied together with a resistor as described in Technical Note TN301, *Rabbit 2000 Microprocessor Interrupt Problem*. This bug was subsequently fixed in revisions A–C of the Rabbit 2000, and two separate external interrupt inputs are available on these devices.

B.2.9 IOI/IOE Prefix Bug Fix

Certain instructions did not function correctly as described in Technical Note TN302, *Rabbit 2000 Instruction Bug*. The problem was corrected in revisions A–C of the Rabbit 2000.

B.2.10 DDCB/FDCB Instruction Page and Wait State Bug Fixes

Four-byte instructions starting with DD-CB or FD-CB didn't work when attempted with wait states.

The fetch of the byte immediately following the instruction did not have the correct number of wait states inserted for the following instructions only when using wait states. Rather than the programmed number of wait states, the fetch was short by one wait state.

```
DJNZ (branch not taken only)
JR cc (branch not taken only)
JP cc (branch not taken only)
```

A similar thing happens for the block move instructions. In these cases, the read cycle is short by one wait state.

```
LDDR
LDIR
```

For the multiply instruction, the fetch of the first byte after the MUL instruction had no wait states, independent of the number programmed.

These problems were corrected in revisions A–C of the Rabbit 2000.

New Bug with LDIR/LDDR

A new LDIR/LDDR bug was discovered in September, 2002. The problem has to do with wait states and the block move operations. With this problem, the first iteration of **LDIR/LDDR** uses the correct number of wait states for both the read and the write. However, all subsequent iterations use the number of waits programmed for the memory located at the write address for both the read and write cycles. This becomes a problem when moving a block of data from a slow memory device requiring wait states to a fast memory device requiring no wait states. With respect to external I/O operations, the **LDIR** or **LDDR** performs reads with zero wait states independent of the waits programmed for the I/O for all but the first iteration. The first iteration is correct. This bug is automatically corrected by Dynamic C.

B.2.11 LDIR/LDDR Instruction/Data Split Bug Fix

The bug with **LDIR/LDDR** and separate I & D space discovered in the Rabbit 2000A had to do with the way the memory control unit treated the move from and the move to addresses of the block move operation. With the instruction/data split enabled, data access in the ROOT and/or DATASEG regions would result in addresses A16 and/or A19 being inverted, depending on how the MMIDR was configured. This would allow the data space to be moved up or down by 64K or 512 K.

With this problem, the first iteration of **LDIR/LDDR** resulted in the correct address inversion for data accesses in the ROOT and/or DATASEG regions. However, all subsequent iterations took place in the code region (without any address inversion).

This problem was fixed in revisions B and C of the Rabbit 2000.

B.2.12 Clock Spectrum Spreader Module

This is a feature introduced on the Rabbit 3000 and migrated to revisions B and C of the Rabbit 2000. The clock spectrum spreader and early memory output enable are turned on by default for the Rabbit 2000C in Dynamic C version 7.32 and higher. The spectrum spreader is very powerful for reducing EMI because it will reduce all sources of EMI above 100 MHz that are related to the clock by about 15 dB. This is a very large reduction since it is common to struggle to reduce EMI by 5 dB in order to pass government tests.

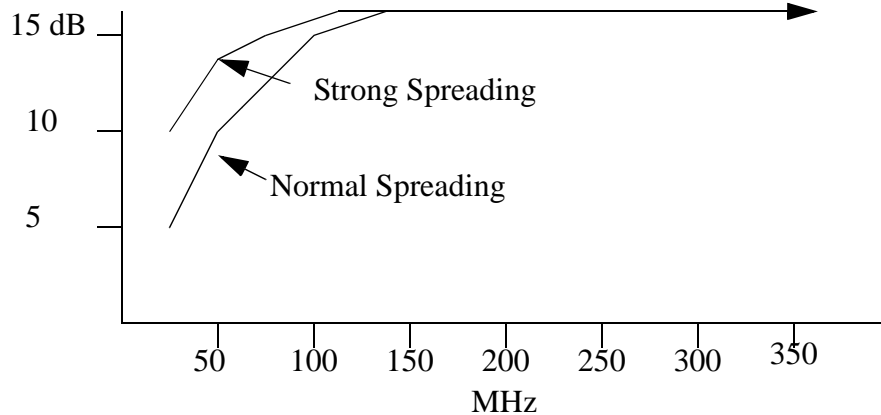


Figure B-2. Peak Spectral Amplitude Reduction from Spectrum Spreader

The spectrum spreader modulates the clock so as to spread out the spectrum of the clock and its harmonics. Since the government tests use a 120 kHz bandwidth to measure EMI, spreading the energy of a given harmonic over a wider bandwidth will decrease the amount of EMI measured for a given harmonic. The spectrum spreader not only reduces the EMI measured in government tests, but it will also often reduce the interference created for radio and television reception.

The spectrum spreader has three settings under software control: off, normal spreading, and strong spreading.

Two registers control the clock spectrum spreader. These registers must be loaded in a specific manner with proper time delays. GCMOR is only read by the spectrum spreader at the moment when the spectrum spreader is enabled by storing 0x080 in GCM1R. If GCM1R is cleared (when disabling the spectrum spreader), there is up to a 500-clock delay before the spectrum spreader is actually disabled. The proper procedure is to clear GCM1R, wait for 500 clocks, set GCMOR, and then enable the spreader by storing 0x080 in GCM1R.

Table B-10. Spread Spectrum Enable/Disable Register

Global Clock Modulator 0 Register (GCM0R) (Address = 0x0A)		
Bit(s)	Value	Description
7	0	Enable normal spectrum spreading.
	1	Enable strong spectrum spreading.
6:0		These bits are reserved.

Table B-11. Spread Spectrum Mode Select

Global Clock Modulator 1 Register (GCM1R) (Address = 0x0B)		
Bit(s)	Value	Description
7	0	Disable the spectrum spreader.
	1	Enable the spectrum spreader.
6:0		These bits are reserved.

When the spectrum spreader is engaged, the frequency is modulated, and individual clock cycles may be shortened or lengthened by an amount that depends on whether the clock doubler is engaged and whether the spectrum spreader is set to the normal or strong setting. The frequency modulation amplitude and the change in clock cycle length is greater at lower voltages or higher temperatures since it is sensitive to process parameters. The spectrum spreader also introduces a time offset in the system clock edge and an equal offset in edges generated relative to the system clock. A feedback system limits the worst-case time error of any signal edge derived from the system clock to ± 35 ns for the normal setting and ± 70 ns for the strong setting at 5.0 V. The maximum time offset is inversely proportional to operating voltage. This small timing error will not generally affect operations in the great majority of systems.

If the input oscillator frequency is 4 MHz or less, the spectrum spreader modulation of frequency will enter the audio range of 20 kHz or less, and may generate an audible whistle in FM stations. For this reason it may be desirable to disable the spreader for low-speed oscillators (where it is probably unnecessary anyway). However, in practical cases the whistle may not be audible because of the very low level of the interference from a system with a low oscillator frequency with the spectrum spreader engaged. Each halving of clock frequency reduces the amplitude of the harmonics at a given frequency by 6 dB or more.

The effect of pure harmonic noise on an FM station is to either completely block out a station near the harmonic frequency or to disturb the reception of that station. If the spectrum spreader is engaged, the interference will be spread across the band, but will generally be so low as to be undetectable, except perhaps for extremely weak stations. The effect of a pure harmonic on TV reception is to create a herringbone pattern created by a harmonic falling within the station's band. If the spreader is engaged, the pattern will disappear

unless the station is very weak, in which case the interference will be seen as noise distributed over the screen.

A more important change in timing is that the memory access time will be shortened. The shortening with the clock doubler enabled and zero wait states is a maximum of 6 ns in the normal mode and 9 ns in the strong mode. Only one of the 2 clocks in a memory cycle will be shortened.

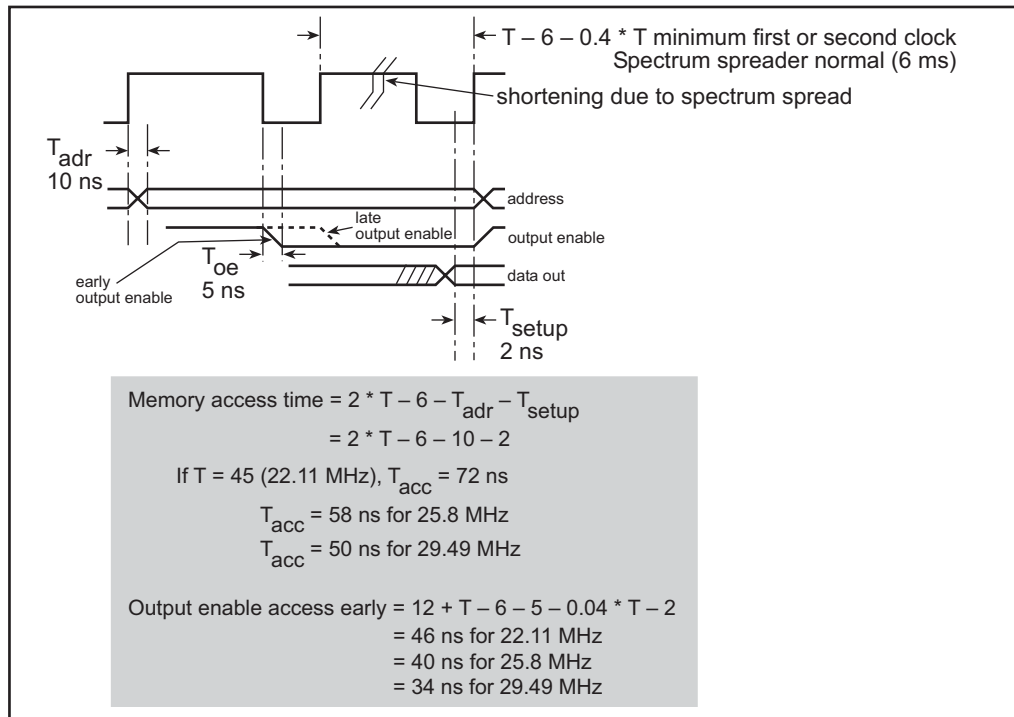


Figure B-3. Clock Spectrum Spreader Example

If the clock doubler is not enabled, then the maximum shortening will be 9 ns in the normal mode and 18 ns in the strong mode. Figure B-3 assumes that the combined address out and data setup in is 12 ns. The time from clock to output enable is assumed to be 5 ns. The maximum asymmetry of the clock is assumed to be 52-48%, which shortens one clock by 4% and lengthens the other by 4% if the clock is doubled.

Early output enable is enabled by default on the Rabbit 2000C, but may be disabled. The clock low time is controlled by the clock doubler control register, and is assumed to be a minimum of 14 ns in the above example. Also the maximum clock speed from the example with the spreader enabled and 55 ns memory with 25 ns output enable is 25.8 MHz. At 29.49 MHz the memory access must be 50 ns, and the spectrum spreader must be turned off, or a wait state must be added. Operation with a doubled clock and the spreader enabled at 29.49 MHz is only allowed for $T < 70^{\circ}\text{C}$ and $V > 4.75$ V since the instantaneous clock frequency bursts to 38.5 MHz when the spectrum spreader and clock asymmetry together produce maximum shortening of a clock cycle.

B.2.13 Early Memory Output-Enable Feature

The early I/O enable feature was added to the Rabbit 2000C revision to relax the tight timing requirements for memory access when using the clock spectrum spreader. The early I/O option extends the output enable time for the /OEx strobes and the write enable time for the /WEx strobes by a half clock cycle. The Memory Timing Control Register (MTCR) enables the extended timing for the memory output enable and write enable strobes.

Table B-12. Memory Timing Control Register

Memory Timing Control Register (MTCR) (Address = 0x19)		
Bit(s)	Value	Description
7:4	xxxx	These bits are reserved and should not be used.
3	0	Normal timing for /OE1B (rising edge to rising edge, one clock minimum).
	1	Extended timing for /OE1B (one-half clock earlier than normal).
2	0	Normal timing for /OE0B (rising edge to rising edge, one clock minimum).
	1	Extended timing for /OE0B (one-half clock earlier than normal).
1	0	Normal timing for /WE1B (rising edge to falling edge, one and one-half clocks minimum).
	1	Extended timing for /WE1B (falling edge to falling edge, two clocks minimum).
0	0	Normal timing for /WE0B (rising edge to falling edge, one and one-half clocks minimum).
	1	Extended timing for /WE0B (falling edge to falling edge, two clocks minimum).

Memory read and write timing are discussed further in Chapter 15, “AC Timing Specifications.”

INDEX

- A**
 - assembly language
 - instructions 31, 32, 33, 34
 - reading/writing to I/O registers 170
 - B**
 - battery-backup circuit 209
 - bootstrap operation 88, 89
 - C**
 - chip selects 213
 - clocks 72, 149
 - 32.768 kHz 72
 - 32.768 kHz oscillator 149
 - clock doubler 74, 75
 - distribution 72
 - low-power 32.768 kHz oscillator 209
 - low-power design 150
 - main clock 78, 149
 - oscillator circuits 149
 - power consumption 76
 - spectrum spreader ... 150, 215
 - timer and clock use 172
 - cold boot 45
 - comparison Rabbit 2000 vs. Z80/Z180 187
 - compiler 97
 - crystal frequencies 199
 - D**
 - DDCB/FDCB instruction ... 214
 - design features 7
 - BIOS 12
 - cold boot 45
 - instruction set 7
 - interrupt priorities 7
 - memory support 7
 - parallel I/O 9
 - programming port 12
 - serial ports 8
 - slave port 10, 46
 - system clock 8
 - time/date clock 9
 - timed output pulses 41
 - timers 10
 - Dynamic C 1, 12
 - BIOS 165
 - library functions 170
 - periodic interrupts 166
 - power consumption 169
 - virtual drivers 166
 - watchdog 166
 - E**
 - extended memory 19
 - data memory windows 20
 - practical considerations 21
 - external bus
 - read and write timing 58
 - external interrupts
 - control registers 86
 - G**
 - generating pulses 42
 - I**
 - instructions 22, 175
 - alphabetic order 189
 - arithmetic and logical ops . 26
 - I/O instructions 29
 - load to constant address 23
 - load to register 23
 - load using index register ... 24
 - push and pop 26
 - register exchanges 25
 - register-to-register move ... 25
 - interrupts 35, 39, 84
 - Dynamic C 166
 - external interrupts 86, 213
 - generating with Serial Port A 131
 - interrupt latency 41
 - interrupt service vector
 - addresses 84
 - interrupt vectors 87
 - multiple interrupts 37
 - priorities 35, 85
 - privileged instructions and
 - semaphores 37
 - semaphores 38
 - serial port 123
 - updating registers 171
 - IOI/IOE prefix 213
- L**
 - LDIR/LDDR Instruction/Data split 214
 - low-power design 150
 - M**
 - memory
 - A16, A19 inversions (/CS1 enable) 95
 - access time 151, 154, 155
 - allocation of extended code and data space 96
 - compiler operation 97
 - early output enable 218
 - I and D space 95
 - I/O access time (no extra wait state) 159
 - I/O access time (one extra wait state) 160
 - I/O read time delays 158
 - I/O read/write times 154
 - I/O write time delays 158
 - I and D space 211
 - parameters 161
 - read time delays 156
 - write time delays 156
 - memory interface 17, 93
 - memory mapping 91
 - memory mapping unit 15, 16, 91
 - Modbus 135

O

- open-drain outputs44
- operating frequency vs. temperature153
- operating frequency vs. voltage153
- operating power estimates9
- oscillator149
 - main oscillator149
- oscillators
 - 32.768 kHz72, 149
 - main clock72, 149
- output pins
 - alternate assignment77

P

- parallel ports99
 - Parallel Port A100
 - Parallel Port B101
 - Parallel Port C102
 - Parallel Port D103
 - open-drain outputs44
 - Parallel Port E106
- pin descriptions
 - alternate functions59
- pinout
 - PQFP package49
- ports
 - Rabbit slave port137
 - slave port lines142
 - slave port registers143
- power9
- power consumption76, 162
 - Dynamic C169
- power management169
- power usage, standby mode 150
- PQFP package
 - LAND pattern51
 - mechanical dimensions50
 - pinout49
- programming port197
 - alternate programming port198
 - use as diagnostic port198
- PWM output42, 43

R

- Rabbit 2000
 - block diagram4
 - comparison with Z80/Z180187
 - crystal frequencies199
 - design features7

- features1
- list of advantages5
- on-chip peripherals8
- programming port197
- revision history201, 203
- specifications1, 2, 3
- Rabbit 3000
 - revision history201
- Rabbit Semiconductor
 - history1
- registers13
 - accumulators14
 - alternate registers14
 - default values65
 - GCDR74
 - GCM0R216
 - GCM1R216
 - GCMxR204
 - GCPU204, 205
 - GCSR73
 - GOCR77
 - GREV204, 205, 206
 - I/O bank control109
 - I/O registers65
 - IBxCR109
 - index registers14
 - interrupt priority register ..14
 - interrupts35
 - MB0CR204, 213
 - MBxCR94
 - memory bank control94
 - memory mapping segments 92
 - MMIDR212
 - MTCR204, 218
 - PADR100
 - PBDR101
 - PCDR102
 - PCFR102
 - PDBxR103
 - PDCR103, 105
 - PDDCR103
 - PDDDR103
 - PDDR103
 - PDFR103
 - PEBxR107
 - PECR107, 108
 - PEDDR107
 - PEDR107
 - PEFR107
 - processor identification71
 - GCPU71
 - GREV71
 - reading/writing to I/O registers170

- revision-level ID205
- RTCCR79
- RTCxR78
- serial port control registers 122
- serial port status registers 121
- serial ports121
 - SxAR121
 - SxCR121
 - SxDR121
 - SxLR121
 - SxSR121
- shadow registers171
- SPCR100, 143, 144
- SPDxR143
- SPSR143, 145
- stack pointer14
- status register14
- SxCR208
- SxLR204, 207
- TACR113, 114
- TACSR113
- TATxR113
- TBCR116
- TBCSR116
- TBLxR116
- TBMxR116
- Timer A113
- WDTCR80
- WDTR81
- XPC register18, 19

reset82, 83

revision history201, 203

- chip selects203
- clock spectrum spreader ..203
- clocked serial command ..203
- DDCB/FDCB instructions 203
- early I/O enable203
- external interrupts203
- I and D space203
- ID registers for version203
- improved battery backup .203
- IOI/IOE prefix203
- LDIR/LDDR Instruction/Data split203
- Long Stop Register203
- RoHS202
- wait states203

S

- serial ports8, 119
 - 9th bit protocols134
 - asynchronous serial port ..207
 - baud rates119

clocked serial ports		
(Ports A–B)	125	
clocked serial timing	128	
controlling RS-485 driver and receiver	131	
data and parity bits	119	
data framing/Modbus	135	
extra stop bits, parity	132	
generating periodic interrupts	131	
interrupt service routines	129	
interrupts	123	
master/slave protocol	135	
receive serial data timing	124	
registers	120	
software recommendations	129	
synchronous serial port ...	208	
transmit serial data timing	124	
transmitting and detecting breaks	131	
transmitting dummy characters	131	
slave port	46, 137	
applications	145	
hardware design	143	
messaging protocol	146	
protocols	145	
R/W cycles	139	
registers	143	
typical connections	142	
specifications		
DC characteristics	61	
3.3 V	63	
5.0 V	62	
I/O buffer sinking and sourcing limits	64	
memory access times	151	
power consumption	162	
spectrum spreader	150, 215	
system clock	8	
T		
timers	111	
Timer A	113	
Timer B	115	
W		
watchdog timer	80	
X		
XPC register	18	

Mouser Electronics

Authorized Distributor

Click to View Pricing, Inventory, Delivery & Lifecycle Information:

[Rabbit Semiconductor:](#)

[20-668-0003](#)