

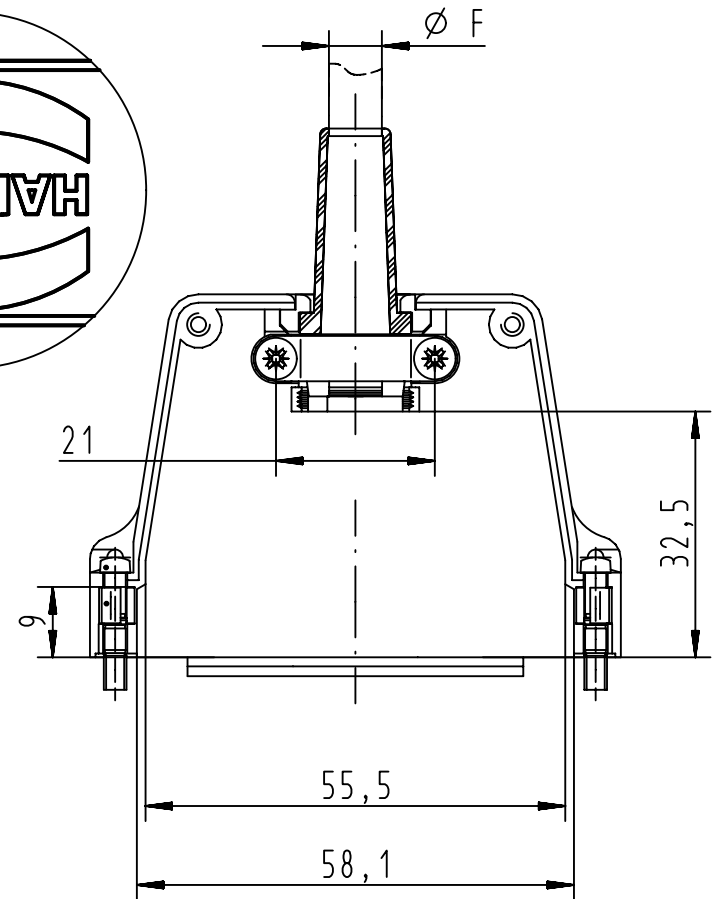
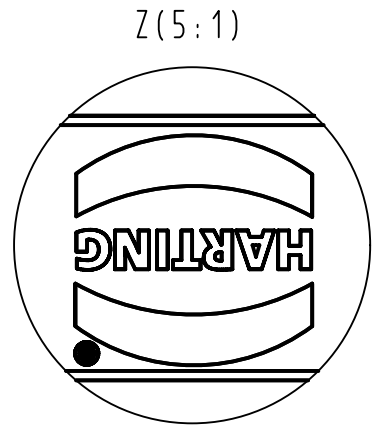
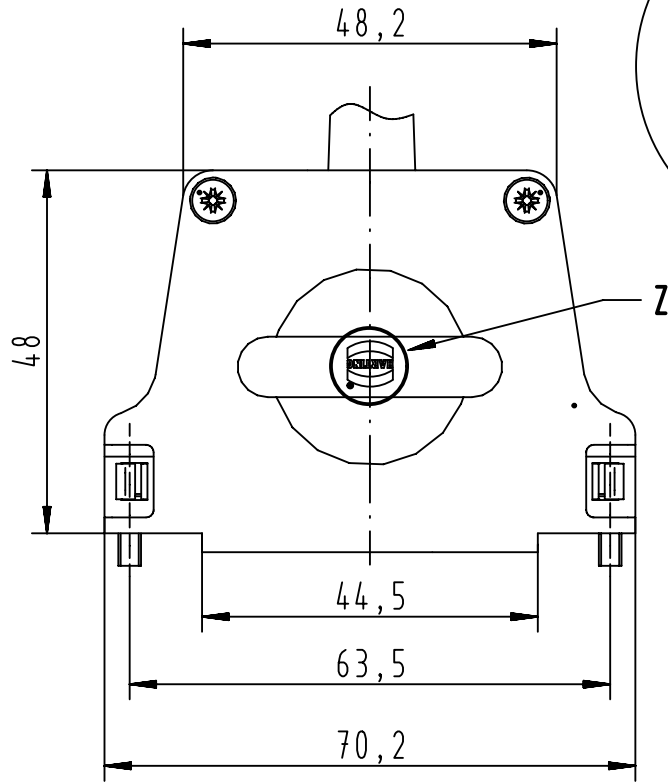
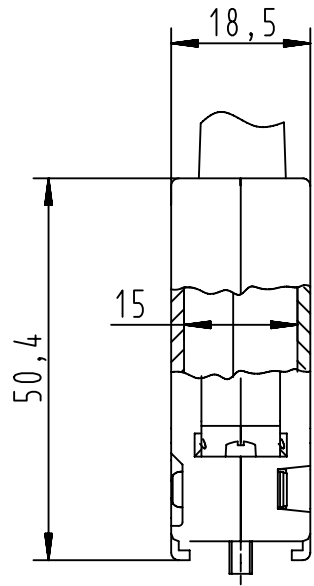
1 2 3 4 5 6

A

B

C


D



Minimum cable  $\phi$ :  
 $\phi_{Fmin}=3,0$

Maximum cable  $\phi$ :  
 - with rubber bushing :  $\phi_{Fmax}=9,0$   
 - without rubber bushing :  $\phi_{Fmax}=12,0$   
 - without reduction plate:  $\phi_{Fmax}=15$

<b>09670370344</b>	<b>4-40UNC</b>
Part number	screw thread

	All rights reserved Department EC PD - FR	All Dimensions in mm Original Size DIN A4			Scale 1:1	Free size tol.		Ref. Sub.		
		HARTING Electronics GmbH D-32339 Espelkamp	Created by DOUGE	Inspected by BAGDIKIAN	Standardisation HOFFMANN	Date 2013-02-05	State Final Release		Doc-Key / ECM-Nr. 100521326/UGD/001/A 500000056836	
		Title D-Sub Hood 37P top entry full metal						Rev. <b>A</b>		Page 1/1
		Type <b>TB</b>		Number <b>09670370344</b>						

# Mouser Electronics

Authorized Distributor

Click to View Pricing, Inventory, Delivery & Lifecycle Information:

[HARTING:](#)

[09670370344](#)