

NOTES:

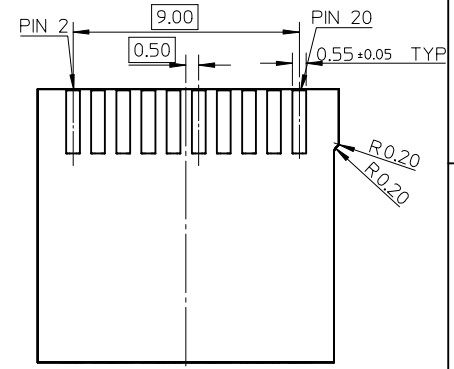
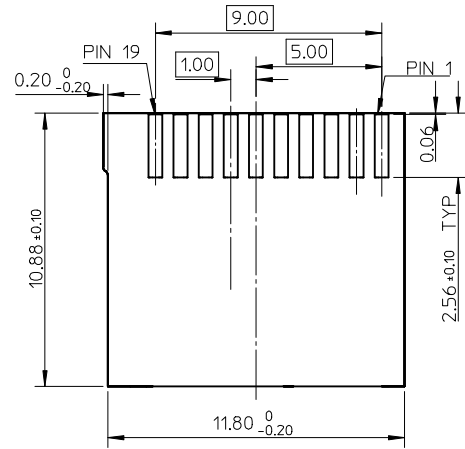
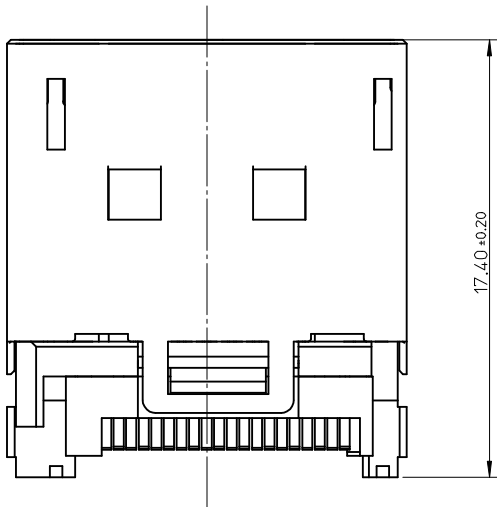
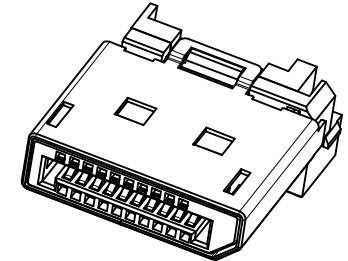
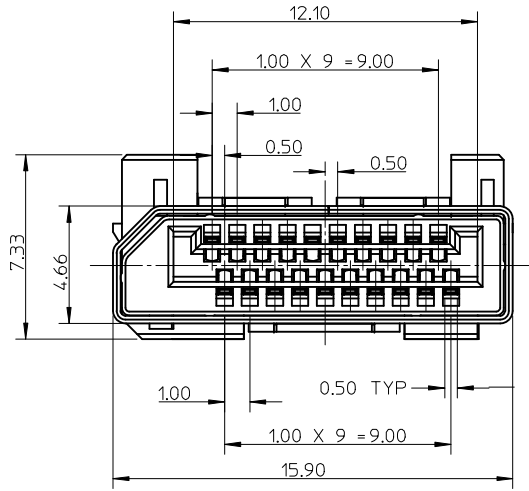
1. CABLE ASSEMBLY DRAWING ONLY FOR CUSTOMER REFERENCE. ALL COMPONENTS WILL BE DELIVERED DISPERSEDLY.
2. THIS PART MEET VESA PROPOSED STANDARD, VERSION1.1.
3. MATES WITH 47272-0001
4. USE WITH CABLE 24AWG
5. MATERIAL :
HOUSING : HGIH TEMPERATURE THERMAL PLASTIC GLASS FILLED , BLACK, UL94V-0
TERMINAL: COPPER ALLOY THICKNESS 0.3 MM
SHIELD CASE : COPPER ALLOY THICKNESS 0.3 MM
6. PLATING :
TERMINAL:
CONTACT AREA : GOLD 0.76 MICROMETER MINIMUM.
UNDER PLATING : NICKEL 1.27 MICROMETER MINIMUM.
7. PRODUCT SPEC: PS-47272-001

NEW RELEASE EC NO: SH2009-0720 DRWN:HHE CHK:RZHANG APPR:HWANG	DESCRIPTION 2009/05/11 2009/06/12	QUALITY SYMBOLS	GENERAL TOLERANCES (UNLESS SPECIFIED)		DIMENSION STYLE	SCALE	DESIGN UNITS	THIRD ANGLE PROJECTION		
		$\nabla=0$ $\triangle=0$	mm	INCH	MM ONLY	1.5:1	METRIC			
		4 PLACES ± --- ± --- 3 PLACES ± --- ± --- 2 PLACES ± --- ± --- 1 PLACE ± 0.20 ± ---	DRAWN BY HHE DATE 2007/05/10		TITLE		PLUG ASS'Y FOR DISPLAY PORT (24 AWG CABLE)			
		ANGULAR ± 2 °	CHECKED BY RZHANG DATE 2007/05/10		APPROVED BY HWANG DATE 2007/05/10					
DRAFT WHERE APPLICABLE MUST REMAIN WITHIN DIMENSIONS	MATERIAL NO.	SEE SHEET 2		DOCUMENT NO.	MOLEX INCORPORATED SD-47271-101					
REV B		SIZE A3	THIS DRAWING CONTAINS INFORMATION THAT IS PROPRIETARY TO MOLEX INCORPORATED AND SHOULD NOT BE USED WITHOUT WRITTEN PERMISSION							

COMPONENT COMPONENT P/N	PLUG SUB-ASS'Y	COVER-DOWN	COVER-UP	INNER-SHELL-UPPER	INNER-SHELL-LOWER	LATCH	LATCH	PCB	RING	REMARK
COMPONENT P/N	47271-0111	47271-0105	47271-0104	47271-1108	47271-1109	47271-1106	47271-2106	06-1206C-0M	07-0109-0M	NON DONGLE KEY

NOTES:
 1.ALL COMPONENTS QUANTITY ARE 1.
 2.PCB AND RING ARE PROVIDED BY DG1

NEW RELEASE EC NO: SH2009-0720 DRWN:HHE 2009/05/11 CHKD:RZHANG 2009/05/12 APPR:HWANG 2009/06/12	DESCRIPTION REV	QUALITY SYMBOLS	GENERAL TOLERANCES (UNLESS SPECIFIED)	DIMENSION STYLE	SCALE	DESIGN UNITS	THIRD ANGLE PROJECTION		
		▽=0 □=0	mm INCH 4 PLACES ± --- ± --- 3 PLACES ± --- ± --- 2 PLACES ± --- ± --- 1 PLACE ± 0.20 ± --- ANGULAR ± 2 °	MM ONLY	5:1	METRIC	DRAWN BY: HHE DATE: 2007/05/10 CHECKED BY: RZHANG DATE: 2007/05/10 APPROVED BY: HWANG DATE: 2007/05/10		
			DRAFT WHERE APPLICABLE MUST REMAIN WITHIN DIMENSIONS	SEE CHART	TITLE: PLUG ASS'Y FOR DISPLAY PORT (24 AWG CABLE) MOLEX INCORPORATED		MATERIAL NO.	DOCUMENT NO.	SHEET NO.
					THIS DRAWING CONTAINS INFORMATION THAT IS PROPRIETARY TO MOLEX INCORPORATED AND SHOULD NOT BE USED WITHOUT WRITTEN PERMISSION				2 OF 3



RECOMMENDER PCB LAYOUT (THICKNESS=1.5±0.05)

NEW RELEASE EC NO: SH2009-0720 2009/05/11 DRWN:HHE CHKD:RZHANG APPR:HWANG 2009/06/12	QUALITY SYMBOLS ▽=7 ◻=0	GENERAL TOLERANCES (UNLESS SPECIFIED)		DIMENSION STYLE MM ONLY		SCALE 5:1	DESIGN UNITS METRIC	THIRD ANGLE PROJECTION			
		4 PLACES ± --- ± ---	mm INCH	DRAWN BY HHE	DATE 2007/05/10	TITLE PLUG ASS'Y FOR DISPLAY PORT (24 AWG CABLE)					
		3 PLACES ± --- ± ---		CHECKED BY RZHANG	DATE 2007/05/10	MOLEX INCORPORATED					
		2 PLACES ± --- ± ---		APPROVED BY HWANG	DATE 2007/05/10	MATERIAL NO. 47271-0111	DOCUMENT NO. SD-47271-101	SHEET NO. 3 OF 3			
		1 PLACE ± 0.20 ± ---		ANGULAR ± 2 °		DRAFT WHERE APPLICABLE MUST REMAIN WITHIN DIMENSIONS					
		THIS DRAWING CONTAINS INFORMATION THAT IS PROPRIETARY TO MOLEX INCORPORATED AND SHOULD NOT BE USED WITHOUT WRITTEN PERMISSION									

Mouser Electronics

Authorized Distributor

Click to View Pricing, Inventory, Delivery & Lifecycle Information:

[Molex:](#)

[47271-0111](#)