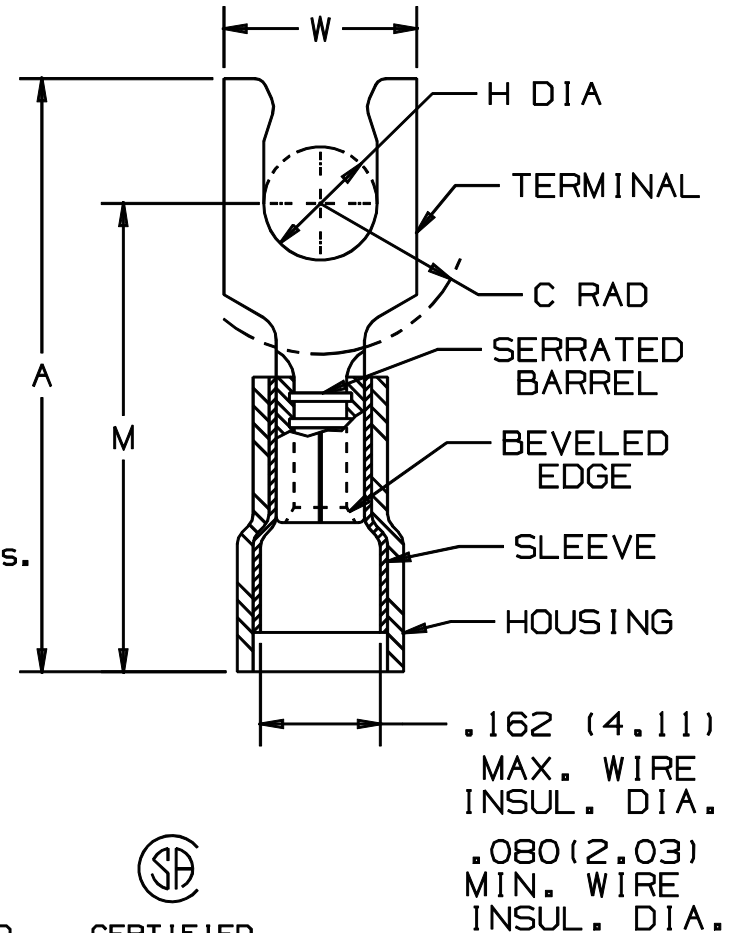


THIS COPY IS PROVIDED ON A RESTRICTED BASIS AND IS NOT TO BE USED IN ANY WAY DETRIMENTAL TO THE INTERESTS OF PANDUIT CORP.

PANDUIT PART NUMBER	STUD SIZE	DIMENSIONS in.				
		A $\pm .020$	W $\pm .010$	C $\pm .015$	M $\pm .020$	H $\pm .010$
PN14-6LF	#6	.86 (21.84)	.25 (6.35)	.22 (5.59)	.62 (15.75)	.14 (3.56)
PN14-6LFW	#6	.84 (21.34)	.29 (7.37)	.22 (5.59)	.62 (15.75)	.14 (3.56)
PN14-8LF	#8	.92 (23.37)	.29 (7.37)	.25 (6.35)	.67 (17.02)	.16 (4.06)
PN14-10LF	#10	.91 (23.11)	.33 (8.38)	.25 (6.35)	.67 (17.02)	.19 (4.83)
PN14-10LFN	#10	.91 (23.11)	.28 (7.11)	.25 (6.35)	.67 (17.02)	.19 (4.83)

NOTES:

- UL LISTED AND CSA CERTIFIED FOR:
 - 600V. MAX. BLDG WIRE (1000 V. MAX IN SIGNS, FIXTURES & LUMINAIRES).
 - #18-14 AWG SOLID OR STRANDED COPPER WIRE WITH THE CT-550, CT-500, CT-1550, CT-1551, CT-460 (UL ONLY) AND CT-400 (UL ONLY) INSTALLATION TOOLS.
 - #16-14 AWG SOLID OR STRANDED COPPER WIRE WITH THE CT-100 AND CT-250 INSTALLATION TOOLS.
 - 221°F (105°C) MAX TEMP. RATING
- MATERIAL:
 - STAMPING - .032" (.81) THK COPPER, TIN PLATED
 - HOUSING - NYLON, BLUE
 - SLEEVE - BRASS, TIN PLATED
- STRIP LENGTH - 7/32 $\pm .001$
- PACKAGE QTY:
 - C=100
 - M=1000
- DIMENSIONS IN BRACKETS ARE IN MILLIMETERS



LISTED
587H
E52164



CERTIFIED
LR31212

A41291_07

07	1/01	RM		FILESPEC WAS N4129AA_PCD_06				<p>TINLEY PARK, ILLINOIS</p> <p>#16-14 BARREL NYLON INSULATED LOCKING FORK, .162 (4.11) MAX. WIRE INSULATION DIAMETER</p>
06	12/96	JAMB		ADDED DIM. "MIN WIRE INSUL. DIA." UPDATE NOTES	05385			
05	11/94	TH		UPDATED NOTES AND DIMENSIONS	02660	LA	TKLE	
4	8-88	DW		REDRAWN WITH REVISIONS			JRB	
REV	DATE	BY	CHK	DESCRIPTION	ECN #	CUST	PM	DRAWN BY DW CHK'D RLS SCALE NONE DRAWING NO. A41291

Mouser Electronics

Authorized Distributor

Click to View Pricing, Inventory, Delivery & Lifecycle Information:

[Panduit:](#)

[PN14-6LF-C](#) [PN14-8LF-C](#) [PN14-8LF-M](#) [PN14-10LF-M](#) [PN14-6LF-M](#) [PN14-10LF-C](#) [PN14-10LFN-C](#) [PN14-10LFN-M](#) [PN14-6LFW-C](#)