

4

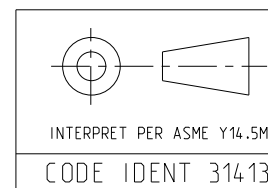
3

DRW NO. C-470-1075-500	SH 1	REV U
---------------------------	---------	----------

ZONE	REV	SCR NUMBER	DESCRIPTION	BY	DATE	APPROVED
	J	JPRX-788MQP.VER01	ADDED P/NS 470-1075-101 AND 470-1075-601	HCL AP	10/18/07	J.PROULX
	K	JPRX-7ESPW4.VER01	ADDED P/N 470-1205-101 AND 470-1205-601	HCL-AP	05/15/08	J.PROULX
	L	JPRX-7PNHRT.VER01	ADDED P/NS 470-3075-101 & 470-3075-601	HCL-RB	03/09/09	J.PROULX
	M	JPRX-7TBGML.VER01	ADDED P/N 470-2235-103 & 470-2235-603 CORRECTED DIM "R" ON SEVERAL PART NUMBERS	HCL-MH	07/02/09	J.PROULX
-	N	CSAS-82ATZZ.VER01	ADDED NEW PART NUMBERS IN TABLES FOR NEW PLATING CODES. REMOVED SHEET 3.	HCL-MH	02/11/2010	C.SAMMIS
	P	JPRX-86EPK6.VER01	ADDED P/N 470-2155-X02	HCL-BK	06/15/2010	C.SAMMIS
SHT2	R	JPRX-8JNHCZ.VER01	ADDED P/N 470-1205-X02 IN TABLE 1	HCL-LV	07/11/2011	J.PROULX
	T	JPRX-8MJGQJ.VER01	REVISED NOTE 4 AND FIXED COPLANARITY SPEC TYPO ON SHEET 3 AND DIAMETRAL SPEC TYPO ON SHEET 4	HCL-PS	10/21/2011	J.PROULX
SH1.A4	U	MCHH-9TUTMD.VER01	CHANGED NOTE 4 TO AVOID AMBIGUITY ABOUT TOOLING HOLES	M.CHARETH	02/18/2015	J.PROULX

NOTES:

- ALL DIMENSIONS ARE IN MM.
- MATERIAL: HOUSING/WAFERS/VACUUM CAP-LCP CONTACTS-HIGH PERFORMANCE COPPER ALLOY, PER MTS-506.
- 0.71 DIA SOLDER SPHERES WILL NOT BE PERFECTLY SPHERICAL AFTER REFLOW ATTACHMENT.
- TOOLING HOLES USED FOR INTERNAL PROCESS ALIGNMENT AND NOT REQUIRED FOR SMT PROCESS ALIGNMENT. QUANTITY OF TOOLING HOLES IS OPTIONAL, AT MANUFACTURERS DISCRETION.
- SOLDBALL PROTRUSION BELOW HOUSING.
- SEE TECHNICAL BULLETIN TB-2082 FOR DETAILED LAYOUT AND SMT PROCESS RECOMMENDATIONS.
- MAXIMUM CO-PLANARITY OF THE BALL FIELD.
- MAXIMUM RADIAL TRUE POSITION OF ANY SOLDER BALL IN RELATION TO AN IDEAL BEST FIT GRID.
- TOLERANCES DO NOT APPLY TO REFERENCE DIMENSIONS SHOWN IN "()" OR BASIC DIMENSIONS SHOWN IN "□".



TOLERANCES		DESIGN 7/07/99 D. MCNAMARA	Amphenol TCS A Division of Amphenol Corporation 200 Innovative Way, Nashua, NH 03062 603.879.3000
0.0	±0.25	DRAWN 06/21/02 RJ MCISAAC	
0.00	±0.13	CHK 06/21/02 J.MARVIN	
0.000	± -	APVD 02/06/2004 J. MARVIN	
ANGLES	± 3°		
UNLESS OTHERWISE SPECIFIED DIMENSIONS ARE IN MM. DECIMAL MARKER IS A PERIOD			TITLE RECEPTACLE MODULE ASSEMBLY NEXLEV CONNECTOR
CUSTOMER USE DRAWING			PART NO. SEE TABLE 1 REV N/A
DRAWING NO. C-470-1075-500			REV U
Pro/E type: P1002-PT-HSG-CAP-ASM10X13X30 Pro/E DRAWING: C-470-1075-500			1.15 T.1
SIZE B	SCALE 2/1	SHEET 1 OF 8	

DRW NO.
C-470-1075-500

SH
1

REV
U

4

3

2

1

4

3

DRW NO. C-470-1075-500	SH 2	REV U
---------------------------	---------	----------

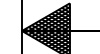
ZONE	REV	SCR NUMBER	DESCRIPTION	BY	DATE	APPROVED
			SEE SHEET 1			

PART NUMBER (SEE TABLE 2)	DESCRIPTION	WAFERS INSTALLED	H	N	P	R
470-1075-X00	10 POS. 7.5 HIGH, REC ASSY	ALL	7.5	9	15.75	21.81
470-1075-X01	10 POS. 7.5 HIGH, REC ASSY	1, 3, 5, 7, 9	7.5	9	15.75	21.81
470-1105-X00	10 POS. 10.5 HIGH, REC ASSY	ALL	10.5	9	15.75	21.81
470-1105-X02	10 POS. 10.5 HIGH, REC ASSY	1,3,5,7,9	10.5	9	15.75	21.81
470-1105-X03	10 POS. 10.5 HIGH, REC ASSY	1,3,5,7,9,10	10.5	9	15.75	21.81
470-1155-X00	10 POS. 15.5 HIGH, REC ASSY	ALL	15.5	9	15.75	21.81
470-1155-X01	10 POS. 15.5 HIGH, REC ASSY	1,3,5,7,9	15.5	9	15.75	21.81
470-1155-X02	10 POS. 15.5 HIGH, REC ASSY	1,3,5,7,9,10	15.5	9	15.75	21.81
470-1205-X00	10 POS. 20.5 HIGH, REC ASSY	ALL	20.5	9	15.75	21.81
470-1205-X01	10 POS. 20.5 HIGH, REC ASSY	1,2,3,4,6,7,8,9,10	20.5	9	15.75	21.81
470-1205-X02	10 POS. 20.5 HIGH, REC ASSY	1,3,5,7,9	20.5	9	15.75	21.81
470-1235-X00	10 POS. 23.5 HIGH, REC ASSY	ALL	23.5	9	15.75	21.81
470-1235-X01	10 POS. 23.5 HIGH, REC ASSY	1,2,3,4,5,6,8,10	23.5	9	15.75	21.81
470-1235-X02	10 POS. 23.5 HIGH, REC ASSY	1,3,5,7,9	23.5	9	15.75	21.81
470-2075-X00	20 POS. 7.5 HIGH, REC ASSY	ALL	7.5	19	33.25	39.31
470-2075-X01	20 POS. 7.5 HIGH, REC ASSY	1,3,5,7,9,11,13,15,17,19	7.5	19	33.25	39.31
470-2075-X02	20 POS. 7.5 HIGH, REC ASSY	1,3,5,7,9,11,13,14,15,16,17,18,19,20	7.5	19	33.25	39.31
470-2105-X00	20 POS. 10.5 HIGH, REC ASSY	ALL	10.5	19	33.25	39.31
470-2105-X01	20 POS. 10.5 HIGH, REC ASSY	1,3,5,7,9,11,13,15,17,19	10.5	19	33.25	39.31
470-2155-X00	20 POS. 15.5 HIGH, REC ASSY	ALL	15.5	19	33.25	39.31
470-2155-X01	20 POS. 15.5 HIGH, REC ASSY	1,3,5,7,9,11,13,14,15,16,17,18,19,20	15.5	19	33.25	39.31
470-2155-X02	20 POS. 15.5 HIGH, REC ASSY	1,2,3,4,5,6,7,8,9,10,11,12,13,14,16,18	15.5	19	33.25	39.31
470-2205-X00	20 POS. 20.5 HIGH, REC ASSY	ALL	20.5	19	33.25	39.31
470-2235-X00	20 POS. 23.5 HIGH, REC ASSY	ALL	23.5	19	33.25	39.31
470-2235-X01	20 POS. 23.5 HIGH, REC ASSY	1,2,4,5,7,8,10,11,13,14,16,17,19,20	23.5	19	33.25	39.31
470-2235-X02	20 POS. 23.5 HIGH, REC ASSY	1 THRU 16,18,20	23.5	19	33.25	39.31
470-2235-X03	20 POS. 23.5 HIGH, REC ASSY	1 THRU 12,18,19,20	23.5	19	33.25	39.31
470-3075-X00	30 POS. 7.5 HIGH, REC ASSY	ALL	7.5	29	50.75	56.81
470-3075-X01	30 POS. 7.5 HIGH, REC ASSY	1,3,5,7,9,11,13,15,17,19,21,23,25,27,29	7.5	29	50.75	56.81
470-3105-X00	30 POS. 10.5 HIGH, REC ASSY	ALL	10.5	29	50.75	56.81
470-3155-X00	30 POS. 15.5 HIGH, REC ASSY	ALL	15.5	29	50.75	56.81
470-3205-X00	30 POS. 20.5 HIGH, REC ASSY	ALL	20.5	29	50.75	56.81
470-3235-X00	30 POS. 23.5 HIGH, REC ASSY	ALL	23.5	29	50.75	56.81
470-3235-X01	30 POS. 23.5 HIGH, REC ASSY	1,3,5,7,9,11,13,15,17,19,21,23,25,27,29	23.5	29	50.75	56.81
470-3235-X02	30 POS. 23.5 HIGH, REC ASSY	1 THRU 26,28,30	23.5	29	50.75	56.81
470-5105-X00	25 POS. 10.5 HIGH, REC ASSY	ALL	10.5	24	42.00	48.06
470-5155-X00	25 POS. 15.5 HIGH, REC ASSY	ALL	15.5	24	42.00	48.06
470-5155-X01	25 POS. 15.5 HIGH, REC ASSY	1 THRU 21, 23, 25	15.5	24	42.00	48.06

PART NUMBER	SOLDER BALL/WAFER DESCRIPTION
470-YYY5-10Y	TIN/LEAD SOLDER BALLS - EUTECTIC (RoHS 5 COMPLIANCE), WAFERS WITH Ni SULFAMATE UNDERPLATE
470-YYY5-20Y	TIN/LEAD SOLDER BALLS - EUTECTIC (RoHS 5 COMPLIANCE), WAFERS WITH NANO Ni UNDERPLATE
470-YYY5-60Y	LEAD FREE SOLDER BALLS (RoHS 6 COMPLIANCE), WAFERS WITH Ni SULFAMATE UNDERPLATE
470-YYY5-70Y	LEAD FREE SOLDER BALLS (RoHS 6 COMPLIANCE), WAFERS WITH NANO Ni UNDERPLATE

B

B



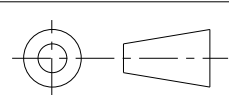
A

4

3

2

1

TOLERANCES		DESIGN 7/07/99 D. MCNAMARA	Amphenol TCS A Division of Amphenol Corporation 200 Innovative Way, Nashua, NH 03062 603.879.3000
0.0	±0.25	DRAWN 06/21/02 RJ MCISAAC	
0.00	±0.13	CHK 06/21/02 J. MARVIN	
0.000	± -	APVD 02/06/2004 J. MARVIN	
ANGLES	± 3°	TITLE RECEPTACLE MODULE ASSEMBLY NEXLEV CONNECTOR	
UNLESS OTHERWISE SPECIFIED DIMENSIONS ARE IN MM. DECIMAL MARKER IS A PERIOD			PART NO. SEE TABLE 1 REV N/A
 INTERPRET PER ASME Y14.5M CODE IDENT 31413			DRAWING NO. C-470-1075-500 REV U
			Pro/E type: P1002-PT-HSG-CAP-ASM10X13X30 Pro/E DRAWING: C-470-1075-500 1.15 T.1
SIZE B	SCALE 2/1	SHEET 2 OF 8	

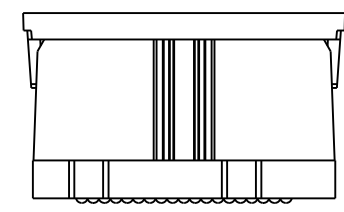
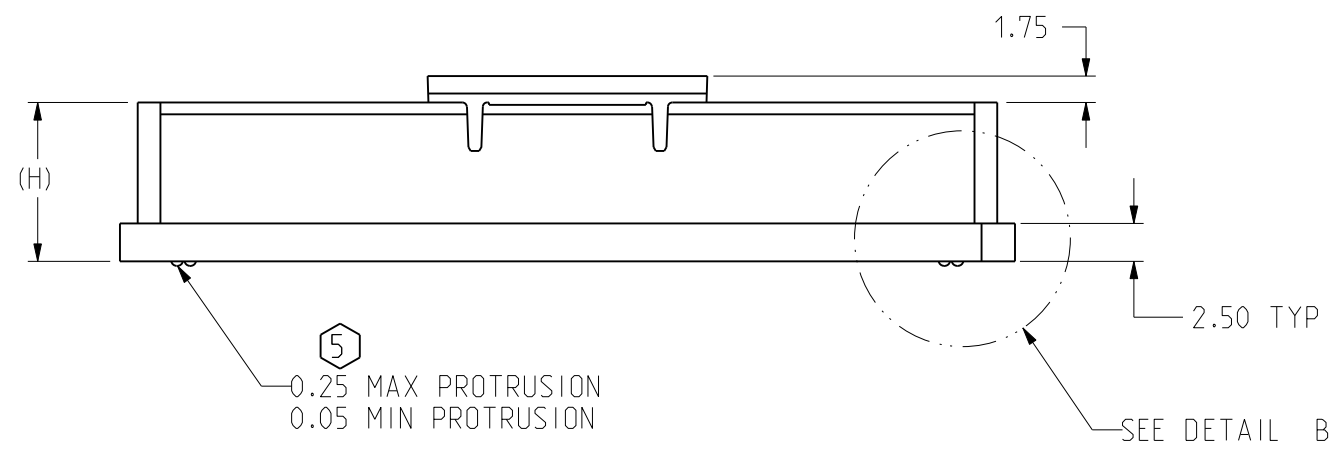
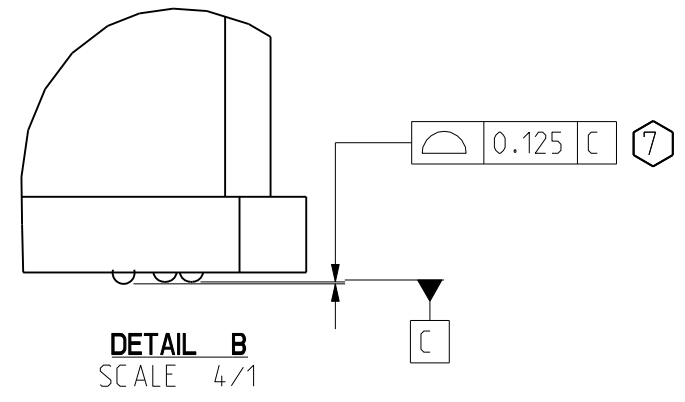
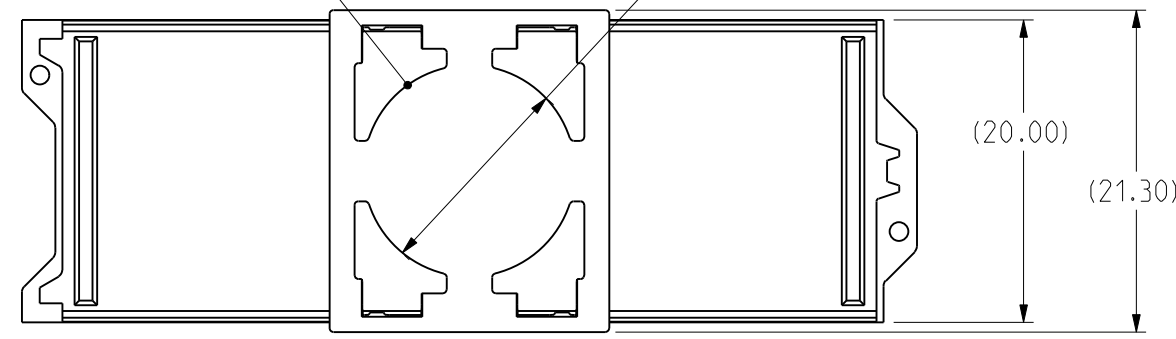
DRW NO. C-470-1075-500	SH 2	REV U
---------------------------	---------	----------

DRW NO. C-470-1075-500 SH 3 REV U

ZONE	REV	SCR NUMBER	DESCRIPTION	BY	DATE	APPROVED
			SEE SHEET 1			

PART NO. 470-0001-074
(HOUSING VACUUM CAP-
REMOVE AFTER ASSY TO PCB)

Ø(14.00) PICK-UP AREA



TOLERANCES		DESIGN 7/07/99 D. MCNAMARA
0.0	±0.25	DRAWN 06/21/02 RJ MCISAAC
0.00	±0.13	CHK 06/21/02 J. MARVIN
0.000	± -	APVD 02/06/2004 J. MARVIN
ANGLES	± 3°	

Amphenol TCS A Division of Amphenol Corporation 200 Innovative Way, Nashua, NH 03062 603.879.3000		SH 3
		REV U
TITLE RECEPTACLE MODULE ASSEMBLY NEXLEV CONNECTOR		REV N/A
PART NO. SEE TABLE 1		
DRAWING NO. C-470-1075-500		REV U
Pro/E type: P1002-PT-HSG-CAP-ASM10X13X30 Pro/E DRAWING: C-470-1075-500		1.15 T.1
SIZE B	SCALE 2/1	SHEET 3 OF 8

INTERPRET PER ASME Y14.5M
CODE IDENT 31413

UNLESS OTHERWISE SPECIFIED DIMENSIONS ARE IN MM. DECIMAL MARKER IS A PERIOD
CUSTOMER USE DRAWING

DRW NO. C-470-1075-500 SH 3 REV U

4

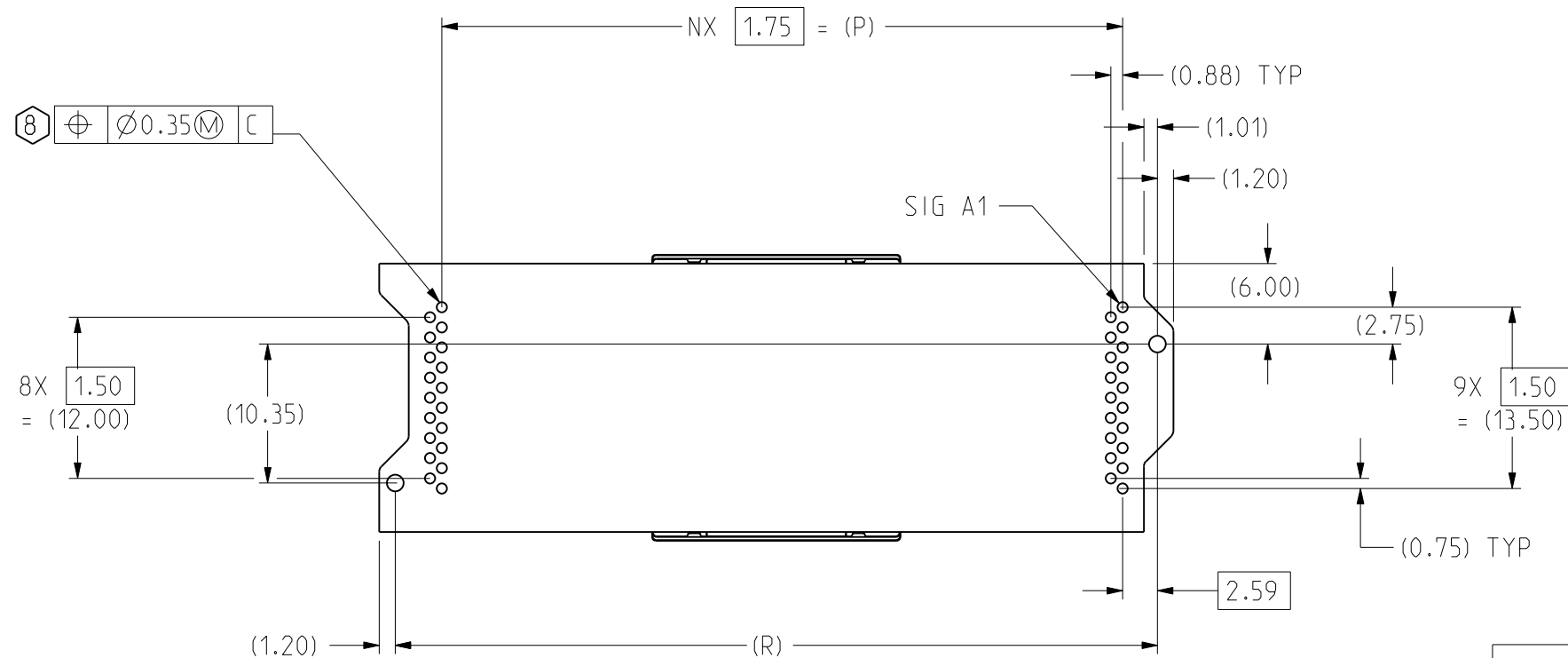
3

DRW NO. C-470-1075-500	SH 4	REV U
---------------------------	---------	----------

ZONE	REV	SCR NUMBER	DESCRIPTION	BY	DATE	APPROVED
			SEE SHEET 1			

B

B

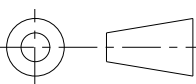


BOTTOM VIEW OF CONNECTOR

A

TOLERANCES		DESIGN 7/07/99 D. MCNAMARA
0.0	±0.25	DRAWN 06/21/02 RJ MCISAAC
0.00	±0.13	CHK 06/21/02 J. MARVIN
0.000	± -	APVD 02/06/2004 J. MARVIN
ANGLES	± 3°	

Amphenol TCS A Division of Amphenol Corporation 200 Innovative Way, Nashua, NH 03062 603.879.3000		TITLE	RECEPTACLE MODULE ASSEMBLY NEXLEV CONNECTOR
		PART NO.	SEE TABLE 1
DRAWING NO.	C-470-1075-500	REV	N/A
Pro/E type: P1002-PT-HSG-CAP-ASM10X13X30 Pro/E DRAWING: C-470-1075-500		1.15	T.1
SIZE	B	SCALE	2/1
		SHEET 4 OF 8	


 INTERPRET PER ASME Y14.5M
 CODE IDENT 31413

UNLESS OTHERWISE SPECIFIED DIMENSIONS
 ARE IN MM. DECIMAL MARKER IS A PERIOD
**CUSTOMER USE
 DRAWING**

DRW NO. C-470-1075-500	SH 4	REV U
---------------------------	---------	----------

4

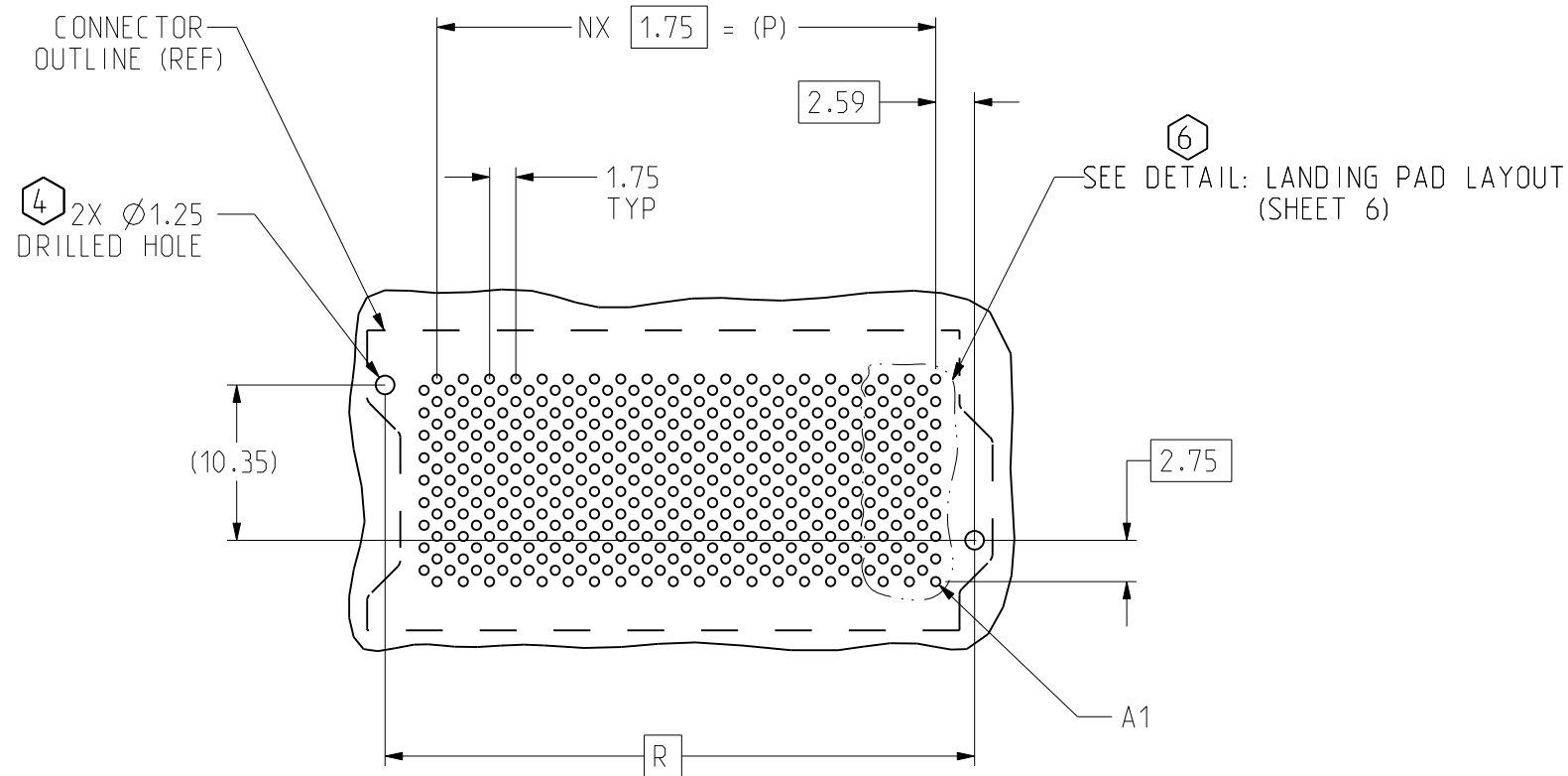
3

2

1

DRW NO. C-470-1075-500	SH 5	REV U
---------------------------	---------	----------

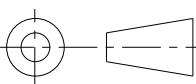
ZONE	REV	SCR NUMBER	DESCRIPTION	BY	DATE	APPROVED
			SEE SHEET 1			



PCB LANDING PAD LAYOUT
CONNECTOR SIDE

TOLERANCES		DESIGN 7/07/99 D. MCNAMARA
0.0	± 0.25	DRAWN 06/21/02 RJ MCISAAC
0.00	± 0.13	CHK 06/21/02 J. MARVIN
0.000	$\pm -$	APVD 02/06/2004 J. MARVIN
ANGLES	$\pm 3^\circ$	

Amphenol TCS A Division of Amphenol Corporation 200 Innovative Way, Nashua, NH 03062 603.879.3000		TITLE	RECEPTACLE MODULE ASSEMBLY NEXLEV CONNECTOR
		PART NO.	SEE TABLE 1
REV	N/A	DRAWING NO.	C-470-1075-500
Pro/E type:	P1002-PT-HSG-CAP-ASM10X13X30	1.15	
Pro/E DRAWING:	C-470-1075-500	T.1	
SIZE	B	SCALE	2/1
		SHEET 5 OF 8	


 INTERPRET PER ASME Y14.5M
 CODE IDENT 31413

UNLESS OTHERWISE SPECIFIED DIMENSIONS ARE IN MM. DECIMAL MARKER IS A PERIOD

**CUSTOMER USE
DRAWING**

DRW NO.
C-470-1075-500

SH
5
REV
U

4

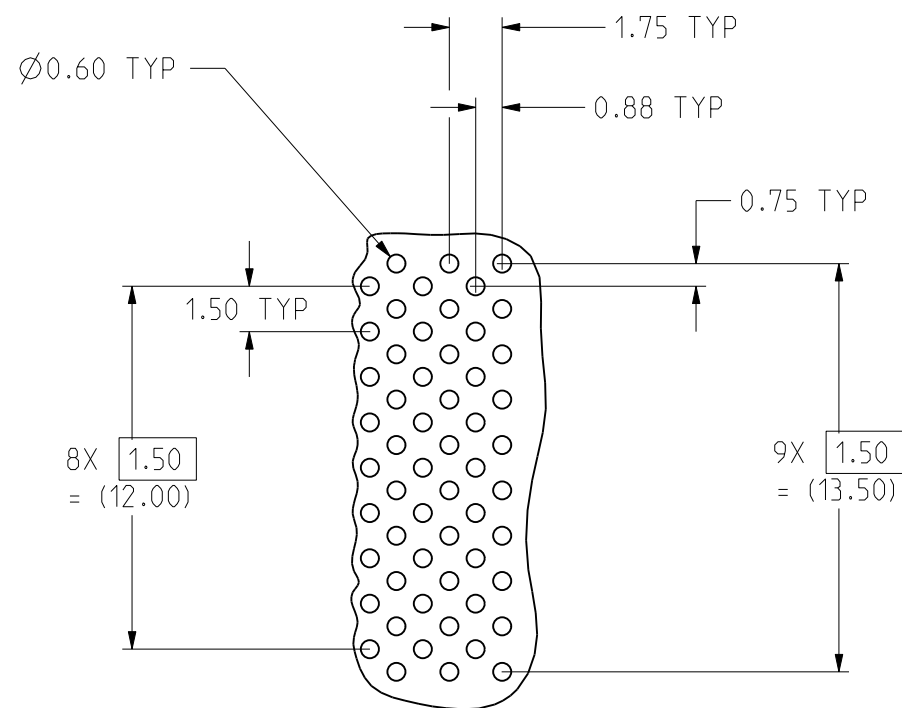
3

DRW NO. C-470-1075-500	SH 6	REV U
---------------------------	---------	----------

ZONE	REV	SCR NUMBER	DESCRIPTION	BY	DATE	APPROVED
			SEE SHEET 1			

B

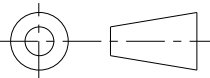
B



DETAIL: LANDING PAD LAYOUT
 SEE TECHNICAL BULLETIN TB-2082
 FOR LANDING PAD SHAPE, MASKING, ROUTING
 AND OTHER DETAILS
 SCALE 4/1

A

DRW NO. C-470-1075-500	SH 6	REV U
---------------------------	---------	----------

TOLERANCES		DESIGN 7/07/99 D. MCNAMARA	Amphenol TCS A Division of Amphenol Corporation 200 Innovative Way, Nashua, NH 03062 603.879.3000	
0.0	± 0.25	DRAWN 06/21/02 RJ MCISAAC		
0.00	± 0.13	CHK 06/21/02 J. MARVIN	TITLE RECEPTACLE MODULE ASSEMBLY NEXLEV CONNECTOR	
0.000	$\pm -$	APVD 02/06/2004 J. MARVIN	PART NO. SEE TABLE 1	REV N/A
ANGLES	$\pm 3^\circ$	UNLESS OTHERWISE SPECIFIED DIMENSIONS ARE IN MM. DECIMAL MARKER IS A PERIOD		
 INTERPRET PER ASME Y14.5M CODE IDENT 31413			DRAWING NO. C-470-1075-500	
			Pro/E type: P1002-PT-HSG-CAP-ASM10X13X30 Pro/E DRAWING: C-470-1075-500 1.15 T.1	
CUSTOMER USE DRAWING		SIZE B	SCALE 2/1	SHEET 6 OF 8

4

3

2

1

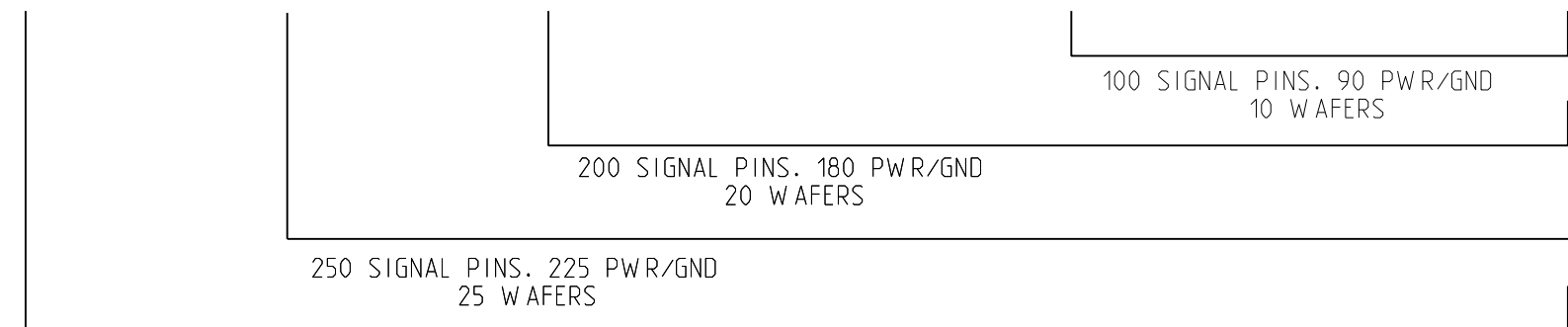
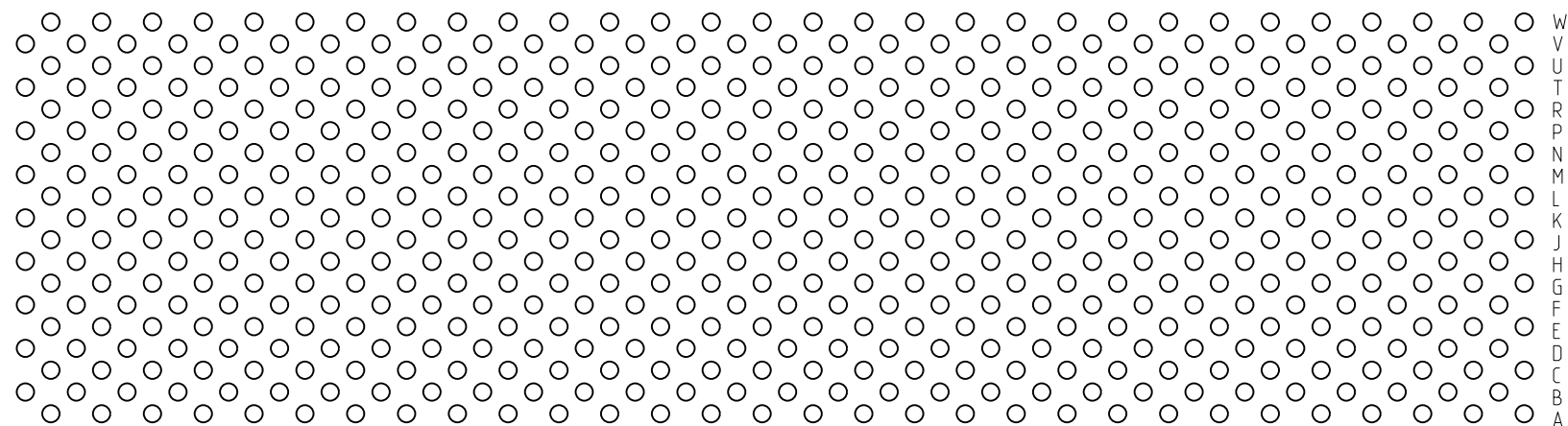
4

3

DRW NO. C-470-1075-500	SH 7	REV U
---------------------------	---------	----------

ZONE	REV	SCR NUMBER	DESCRIPTION	BY	DATE	APPROVED
			SEE SHEET 1			

6 5 5 5 5 5 5 5 5 5 4 4 4 4 4 4 4 4 4 4 3 3 3 3 3 3 3 3 2 2 2 2 2 2 2 2 1 1 1 1 1 1 1 1 1 1 1 1
 0 9 8 7 6 5 4 3 2 1 0 9 8 7 6 5 4 3 2 1 0 9 8 7 6 5 4 3 2 1 0 9 8 7 6 5 4 3 2 1 0 9 8 7 6 5 4 3 2 1



300 SIGNAL PINS. 270 PWR/GND
30 WAFERS

200 SIGNAL PINS. 180 PWR/GND
20 WAFERS

100 SIGNAL PINS. 90 PWR/GND
10 WAFERS

CONNECTOR SIDE OF PCB
PIN ASSIGNMENT
SCALE: 4/1

TOLERANCES		DESIGN 7/07/99 D. MCNAMARA
0.0	±0.25	DRAWN 06/21/02 RJ MCISAAC
0.00	±0.13	CHK 06/21/02 J. MARVIN
0.000	± -	APVD 02/06/2004 J. MARVIN
ANGLES	± 3°	

Amphenol TCS
A Division of Amphenol Corporation
200 Innovative Way, Nashua, NH 03062 603.879.3000

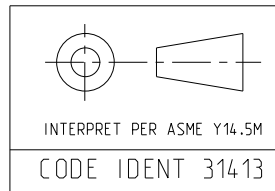
TITLE
RECEPTACLE MODULE ASSEMBLY
NEXLEV CONNECTOR

PART NO. SEE TABLE 1 REV N/A

DRAWING NO. C-470-1075-500 REV U

Pro/E type: P1002-PT-HSG-CAP-ASM10X13X30 1.15
Pro/E DRAWING: C-470-1075-500 T.1

SIZE B SCALE 2/1 SHEET 7 OF 8



UNLESS OTHERWISE SPECIFIED DIMENSIONS ARE IN MM. DECIMAL MARKER IS A PERIOD

CUSTOMER USE
DRAWING

DRW NO.
C-470-1075-500

SH
7

REV
U

4

3

2

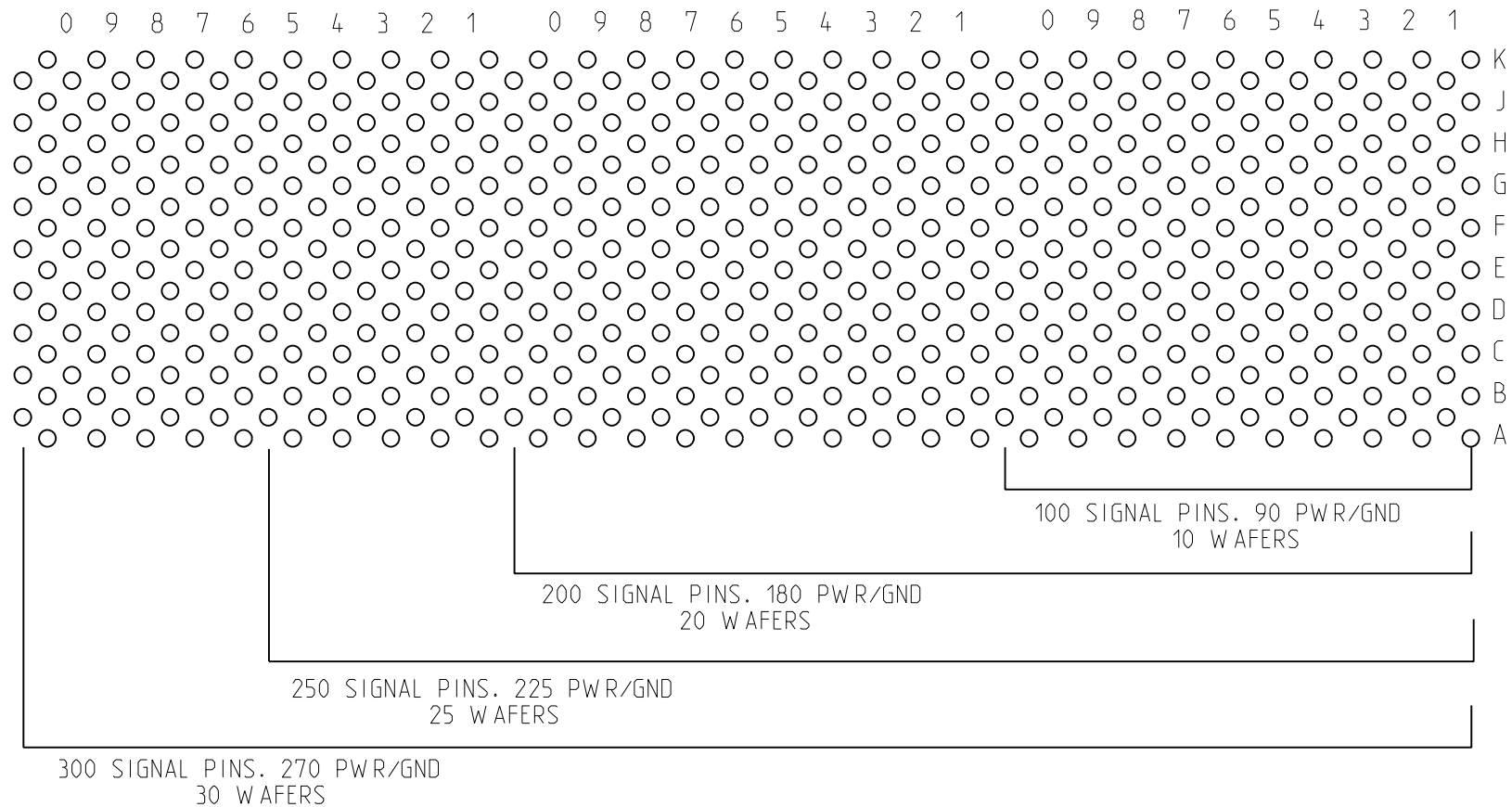
1

4

3

DRW NO. C-470-1075-500	SH 8	REV U
---------------------------	---------	----------

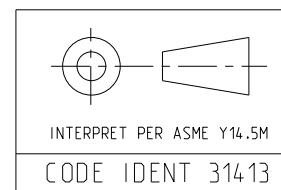
ZONE	REV	SCR NUMBER	DESCRIPTION	BY	DATE	APPROVED
			SEE SHEET 1			



ALTERNATE PIN NUMBERING
(CONNECTOR SIDE OF PCB)
SCALE 4/1

TOLERANCES		DESIGN 7/07/99 D. MCNAMARA
0.0	±0.25	DRAWN 06/21/02 RJ MCISAAC
0.00	±0.13	CHK 06/21/02 J. MARVIN
0.000	± -	APVD 02/06/2004 J. MARVIN
ANGLES	± 3°	

Amphenol TCS A Division of Amphenol Corporation 200 Innovative Way, Nashua, NH 03062 603.879.3000	
TITLE RECEPTACLE MODULE ASSEMBLY NEXLEV CONNECTOR	
PART NO. SEE TABLE 1	REV N/A
DRAWING NO. C-470-1075-500	REV U
Pro/E type: P1002-PT-HSG-CAP-ASM10X13X30 Pro/E DRAWING: C-470-1075-500	
SIZE B	SHEET 8 OF 8



UNLESS OTHERWISE SPECIFIED DIMENSIONS
ARE IN MM. DECIMAL MARKER IS A PERIOD

CUSTOMER USE
DRAWING

DRW NO.
C-470-1075-500

SH
8
REV
U

4

3

2

1

Mouser Electronics

Authorized Distributor

Click to View Pricing, Inventory, Delivery & Lifecycle Information:

Amphenol:

[470-2155-600](#) [470-3105-600](#) [470-3075-600](#) [470-2105-600](#) [470-2075-600](#) [470-3155-100](#) [470-2155-100](#) [470-3155-600](#) [470-5105-100](#) [470-2235-100](#) [470-3105-100](#) [470-2105-100](#) [470-2205-100](#) [470-2205-600](#) [470-3235-100](#) [470-3075-100](#) [470-2075-100](#) [470-2235-600](#) [470-3205-100](#) [470-3205-600](#) [470-3235-600](#)