

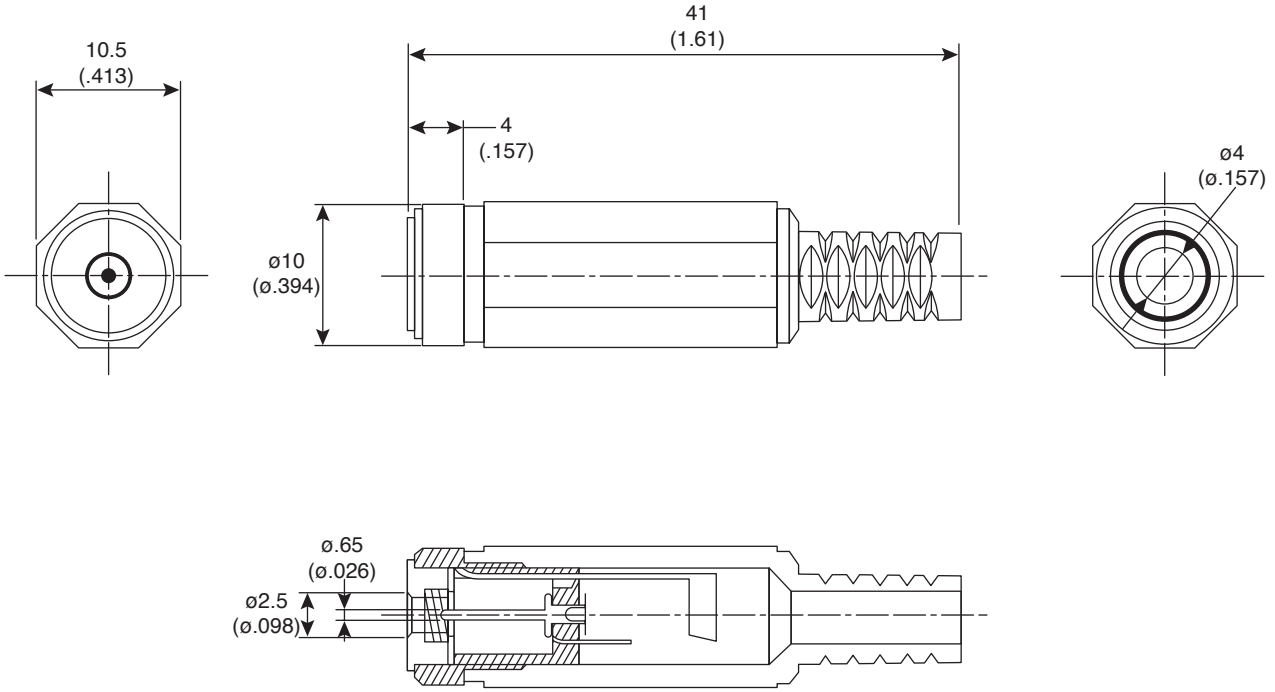
# DC Power Jack

163-0307-E



DC Power Jack

163-0307-E



**DIMENSIONS: mm (IN)**

SPECIFICATIONS	
<b>Rating:</b>	3.15VDC 2A
<b>Breakdown Voltage:</b>	500VAC for 1 minute
<b>Insulation Resistance:</b>	100M $\Omega$ min. @ 500VDC
<b>Contacts:</b>	Nickel Plated Brass
<b>Body:</b>	PA
<b>RoHS Compliant</b>	

Date Last Revised: 12-12-05

Available from Mouser Electronics  
 1-800-346-6873  
 www.mouser.com

KC-300838

# Mouser Electronics

Authorized Distributor

Click to View Pricing, Inventory, Delivery & Lifecycle Information:

[Kobiconn:](#)

[163-0307-E](#)