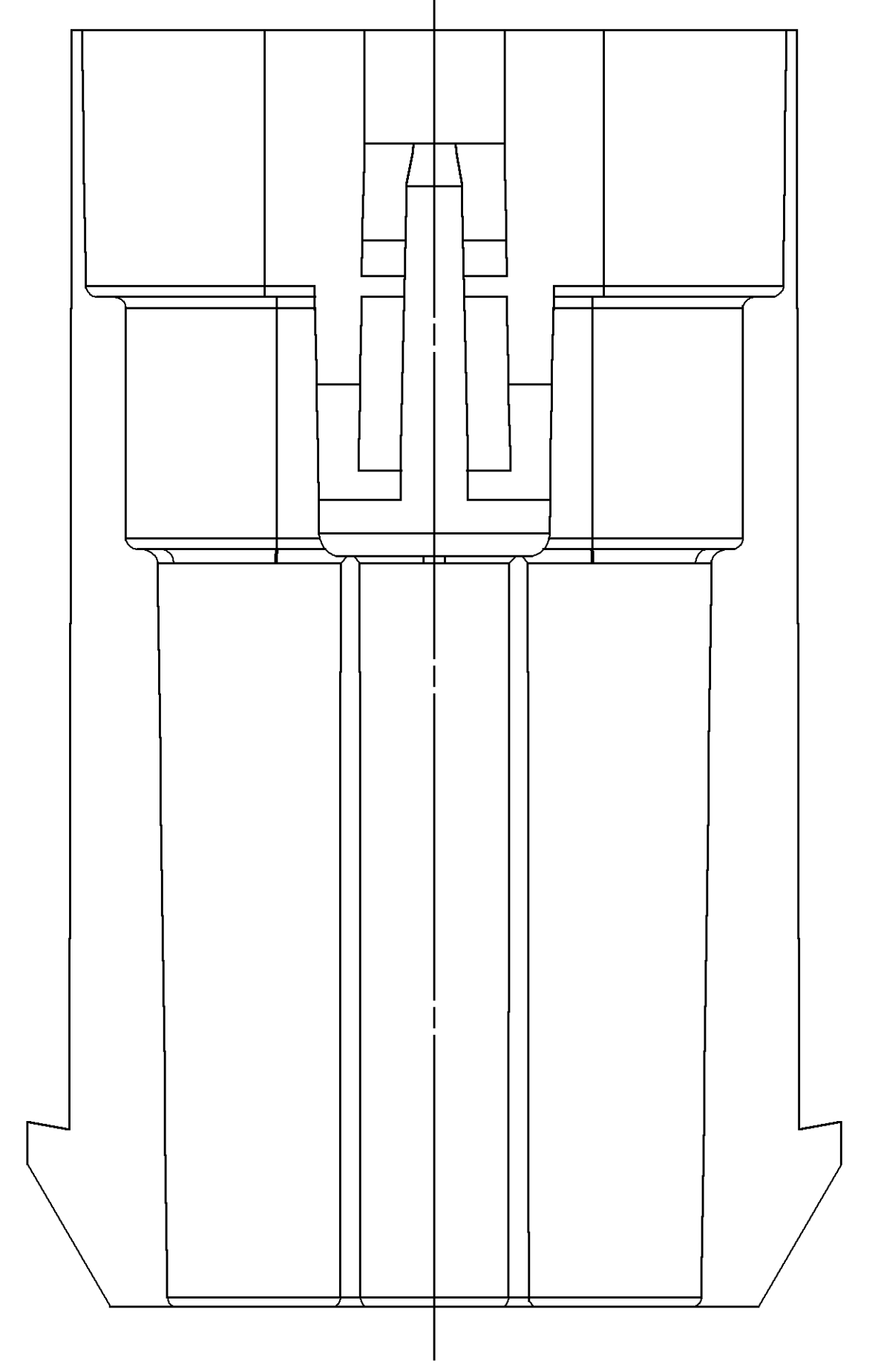
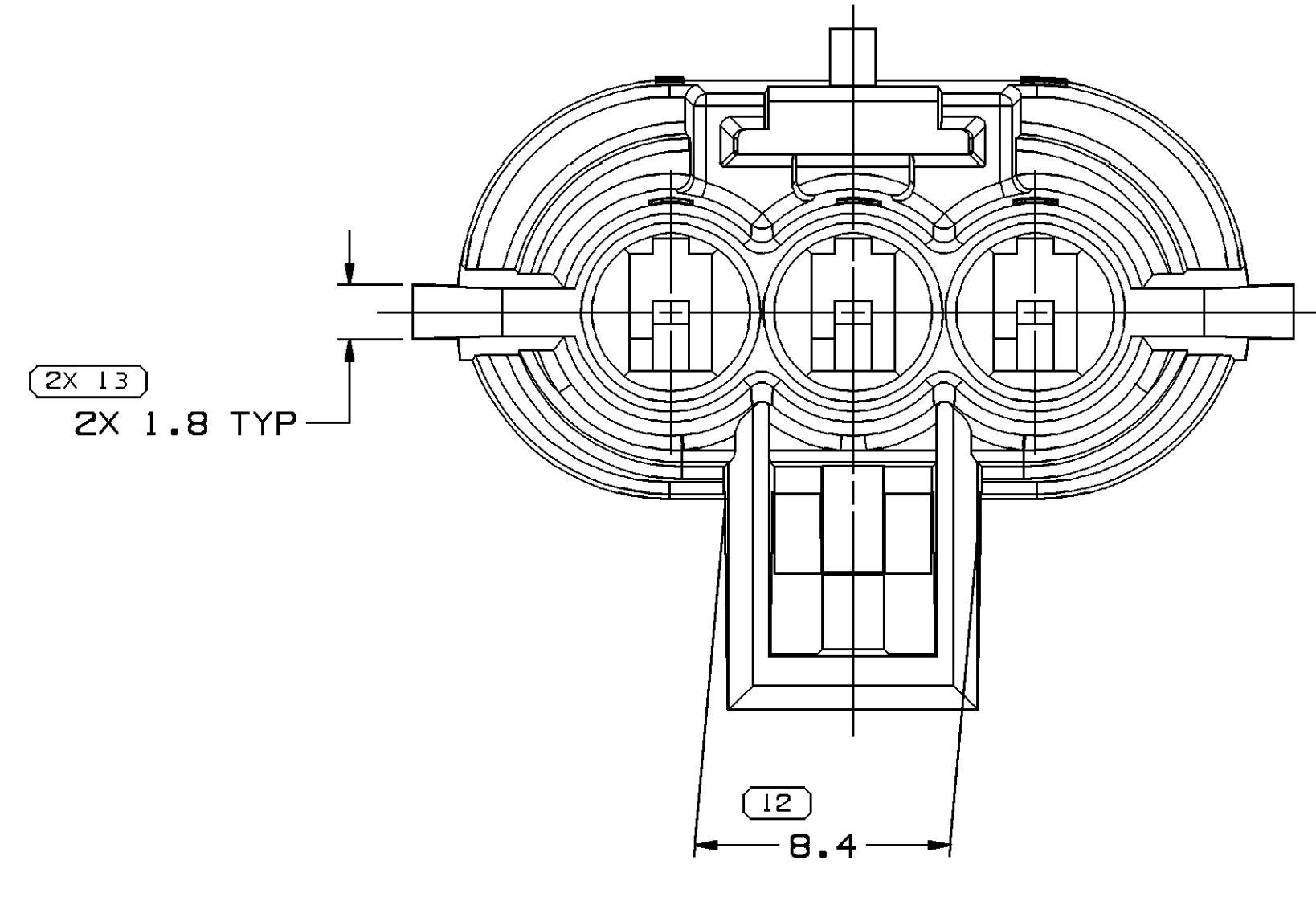
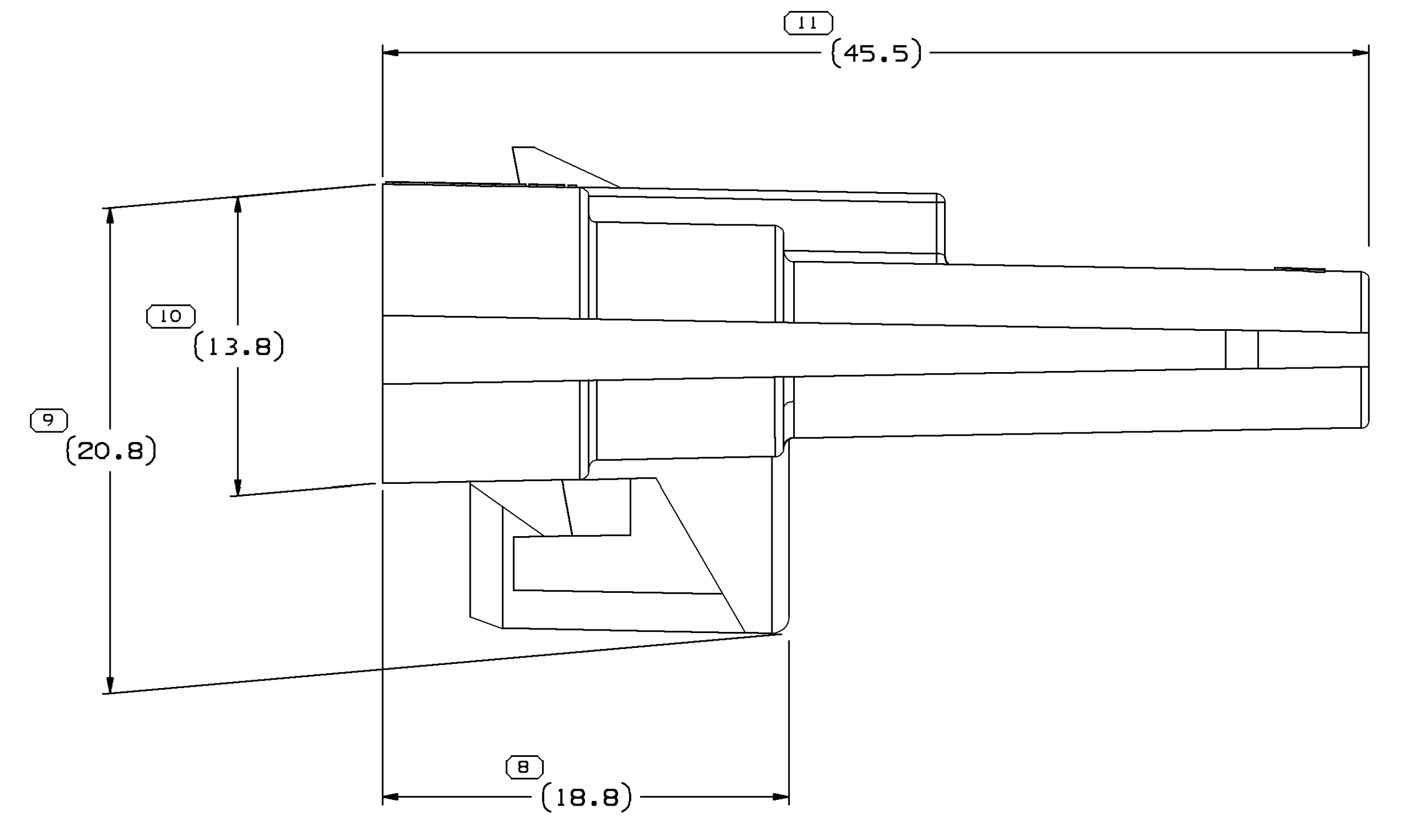
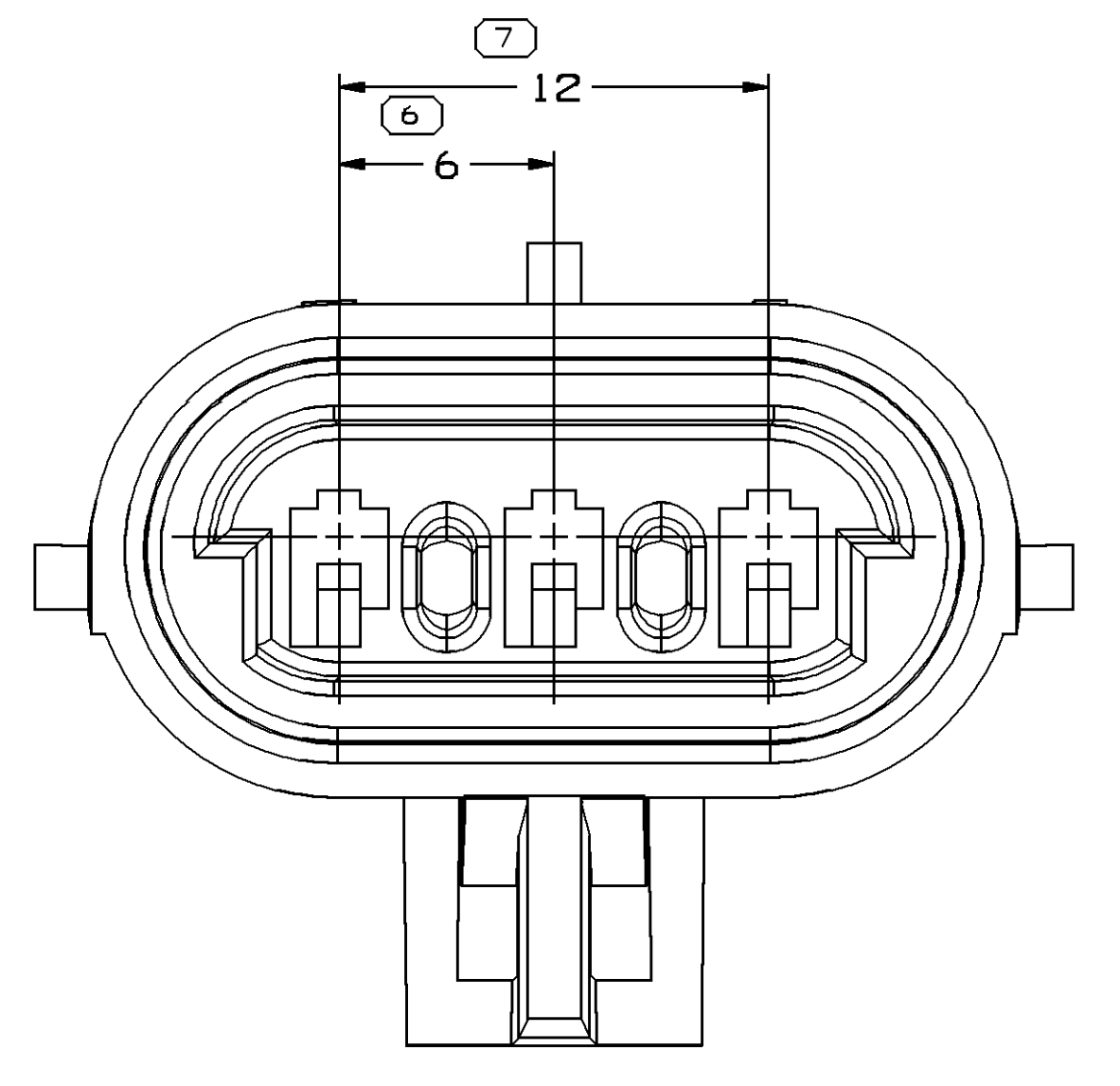
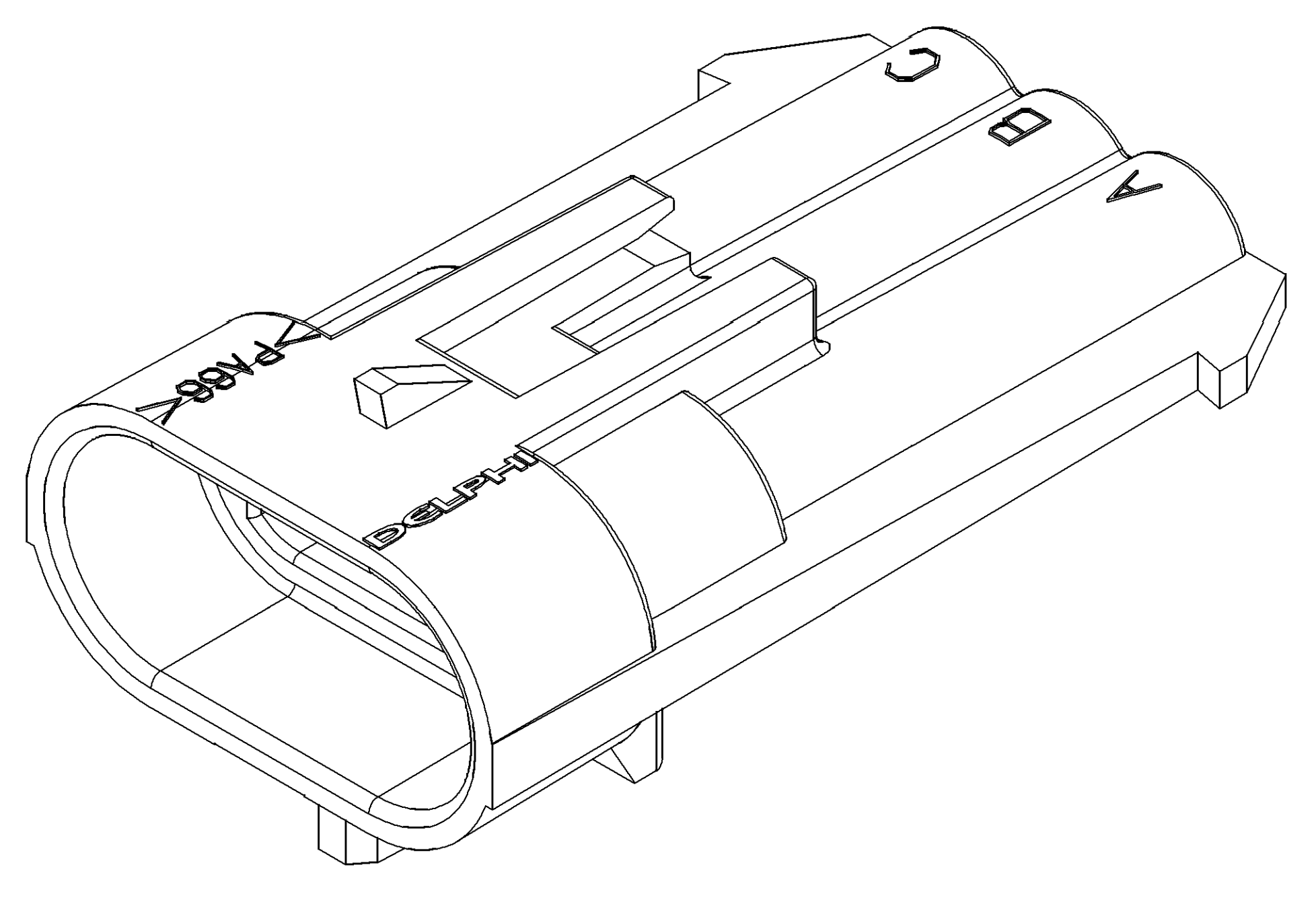
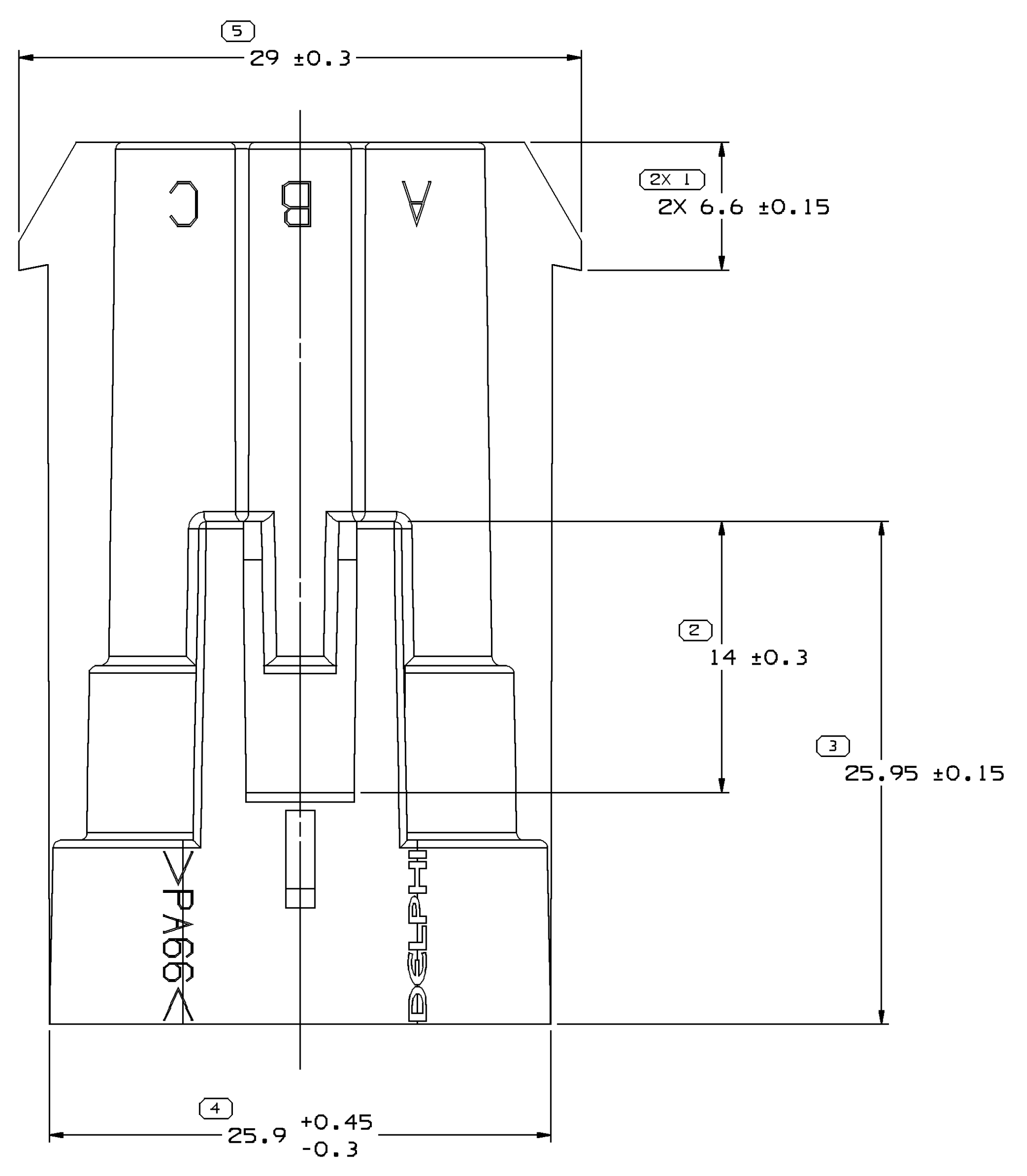


SYMBOL DEFINITION		TOTAL NO OF INSPECTIONS REQUIRED	MISSING SYMBOLS
A DIMENSION WITHOUT AN INSPECTION REPORT SYMBOL DOES NOT REQUIRE INSPECTION. IT MAY BE CONTROLLED ON THE INDIVIDUAL COMPONENT DRAWING.		15	NO MISSING SYMBOL NUMBER
	LAST NO. USED	13	

DWG STATUS				REVISION HISTORY				AUTH	DR	AP/VD
DATE	STG	REV	N/P	CHG	ZONE					
15FE06	R	B2	-	-		CLEARED REV COLUMN, UPDATED TO LATEST U8 STANDARD. MAT'L SPEC WAS R0071754 AND ADDED NOTES 6 & 7	277186	JTZ	FRG	B06
13SE06	R	B3	-	-		UPDATED PDM ATTRIBUTES	284433	MM	MM	B06
05DE06	R	B4	-	-		REVISED MODEL TO MATCH PART	287497	RH	RH	B06



- NOTES
- UNLESS OTHERWISE SPECIFIED AND/OR INDICATED:  
DIMENSIONS ARE TO FACE OF VIEW SHOWN AND AUTOMATICALLY ROUNDED BY COMPUTER FOR INSPECTION (SEE MATH MODEL FOR PRECISE DIMENSIONS). FOR ALL OTHER DIMENSIONS NOT SHOWN BUT REQUIRED FOR TOOL BUILD, SEE MATH MODEL FOR PRECISE TOOL PATH DATA.
  - MAXIMUM CABLE DIAMETER FOR THIS PART IS 2.8 MM.
  - SEALING CODE 3 - DESIGN WILL PASS SALT FOG AND IMMERSION TEST AFTER CONDITIONING AS SPECIFIED IN ESA-644 (WEATHER-PACK), ESA-710 (METRI-PACK), ESA-650 (UNDERHOOD MICRO-PACK), C-4006 (WORLD CONNECTOR), ETC. - WHEN MATED TO MATING PART OR EQUIVALENT
  - THIS PART IS NOT CONTROLLED FOR AUTOMATIC FEEDING.
  - THIS PART ACCEPTS THE FOLLOWING COMPONENTS OR EQUIVALENT: CONNECTOR TO MATE WITH 12110293 CONNECTOR AND SEAL ASSEMBLY CAVITIES TO ACCEPT 12045773 TERMINAL SECONDARY TERMINAL LOCK 12052845 CABLE SEAL 12048086 CONNECTOR POSITION ASSURANCE T-LOCK 12020833 WHEN MATED WITH 12110293 CONNECTOR AND SEAL ASM
  - MATERIAL RECYCLING CODE PER ISO 11469. (1.5)X(0.1) CHARACTERS AS SHOWN TO BE LOCATED ON ANY EXTERIOR SURFACE.
  - (0.9)X(0.1) DELPHI CORPORATE BRAND TO BE LOCATED ON ANY EXTERIOR SURFACE - PREFERABLY VISIBLE AT FINAL ASSEMBLY. OPTIONAL CONSTRUCTION FOR EXISTING TOOLING MAY BE "PED".

DWG TYPE PART DRAWING		DATE	
STYLE	DISTR CODE	DATE	
VOLUME 10/1	4,970	DATE	
UNLESS OTHERWISE SPECIFIED			
THIS DOCUMENT IS IN ACCORDANCE WITH ASME Y14.5M-1994 AS MODIFIED BY THE IN-SPEC DIMENSIONING AND TOLERANCING ADDENDUMS. SEPARATE NOTATIONS OF FEATURES MAY BE BASED SEPARATELY PER RELEASE OF DATA REFERENCES.			
ALL DIMENSIONS ARE IN MILLIMETERS			
REFERENCE		12052844	
THIRD ANGLE PROJECTION			
DO NOT SCALE			
USE MATH DATA			

**DELPHI**  
DELPHI PACKARD ELECTRIC SYSTEMS  
WARREN, OH

DR	DATE
APV01 W. H. POEHLER	13FE92
APV02 HENRY HOKE	13FE92
APV03 W. K. CHIN	13FE92
APV04	
APV05	

SUBSTANCES OF CONCERN AND RECYCLED CONTENT PER DELPHI 10949001

WATERLIL W3592001 P666 HS 1M BLK

DRAWING NAME  
CONN 3 M M/P 150 BLK SLD

DRAWING NUMBER  
**12129615**

SIZE	SCALE	FRAME NO	SHEET NO	STG	REV	N/P
A0	5:1	1	1	1	R	B4

DIMENSIONAL RANGE (MM)		SHORT ET
FROM	> 0	> 30
TO	> 20	> 70
	> 70	> 100
	> 100	> 150
	> 150	> 200
	> 200	> 250
	> 250	> 300
	> 300	> 400
	TOLERANCE UNLESS OTHERWISE SPECIFIED	
	±0.15	±0.2
	±0.3	±0.4
	±0.5	±0.6
	±0.8	±1
	±1	±1.2
	ANGULAR TOLERANCE 20°	

(4) PROCESS SENSITIVE DIMENSION	
DIMENSIONS ENCLOSED IN ( ) INDICATE REFERENCE DIMENSIONS AND NO TOLERANCE LIMITS ARE ESTABLISHED	

Date: 06-04-08 Time: 08:22

# Mouser Electronics

Authorized Distributor

Click to View Pricing, Inventory, Delivery & Lifecycle Information:

[Aptiv:](#)

[12129615](#)