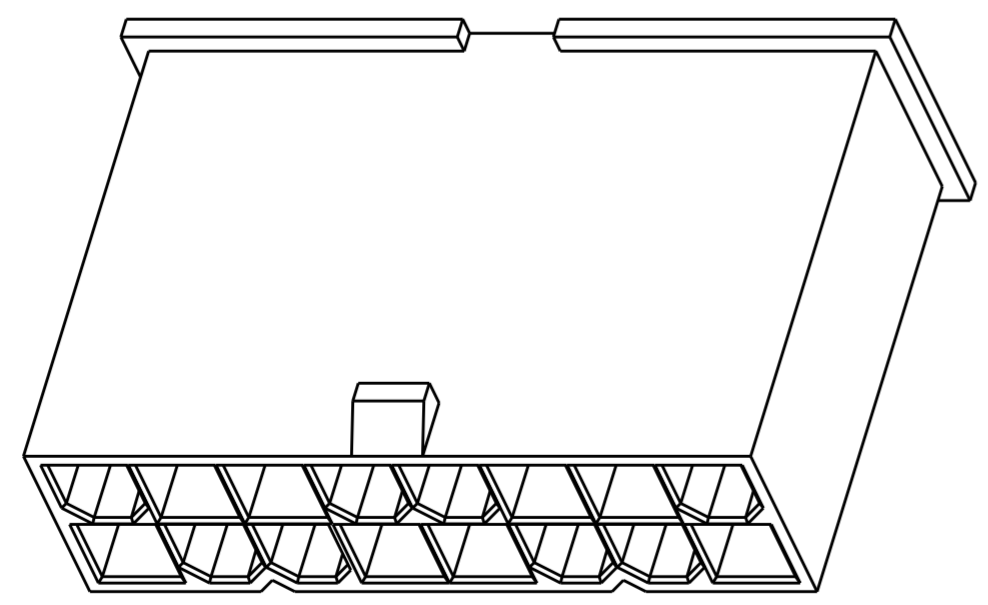
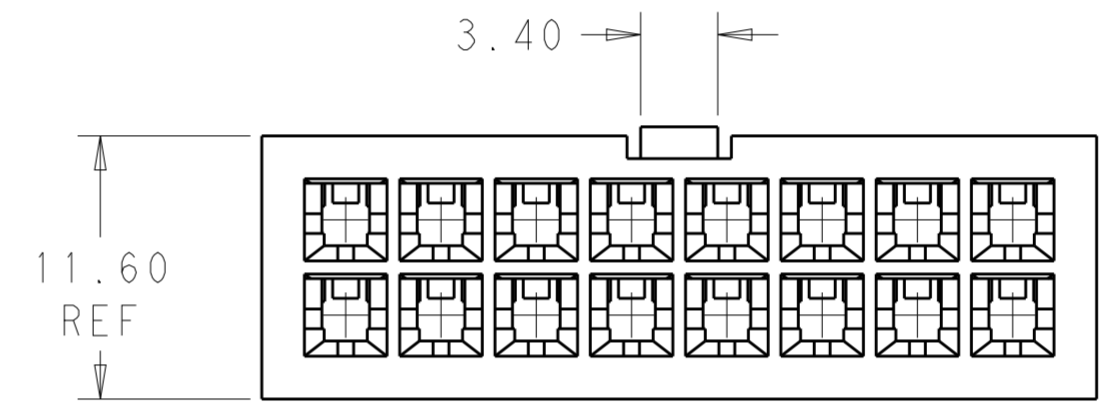
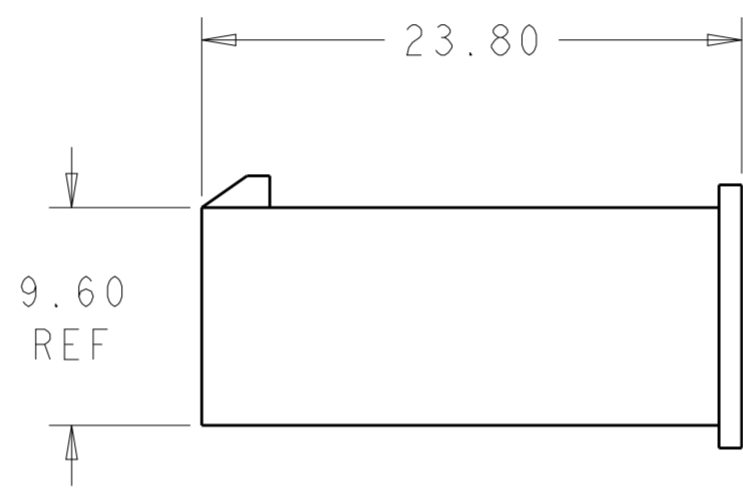
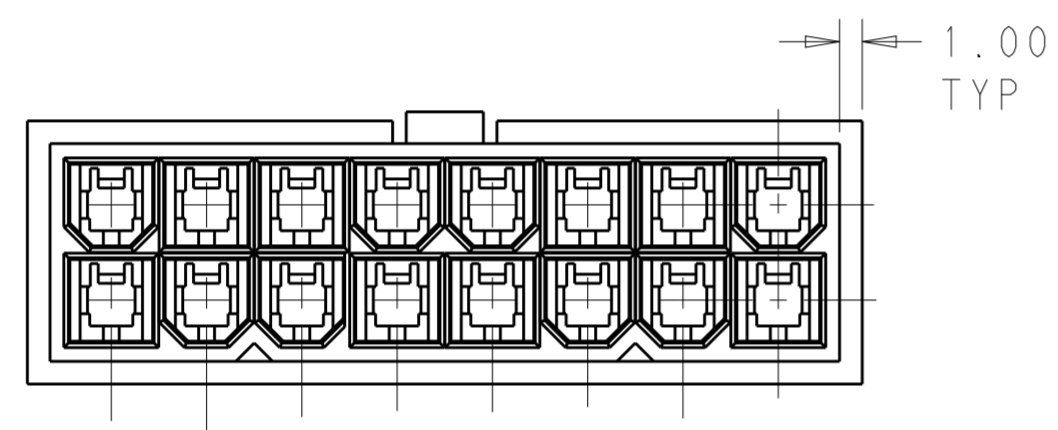
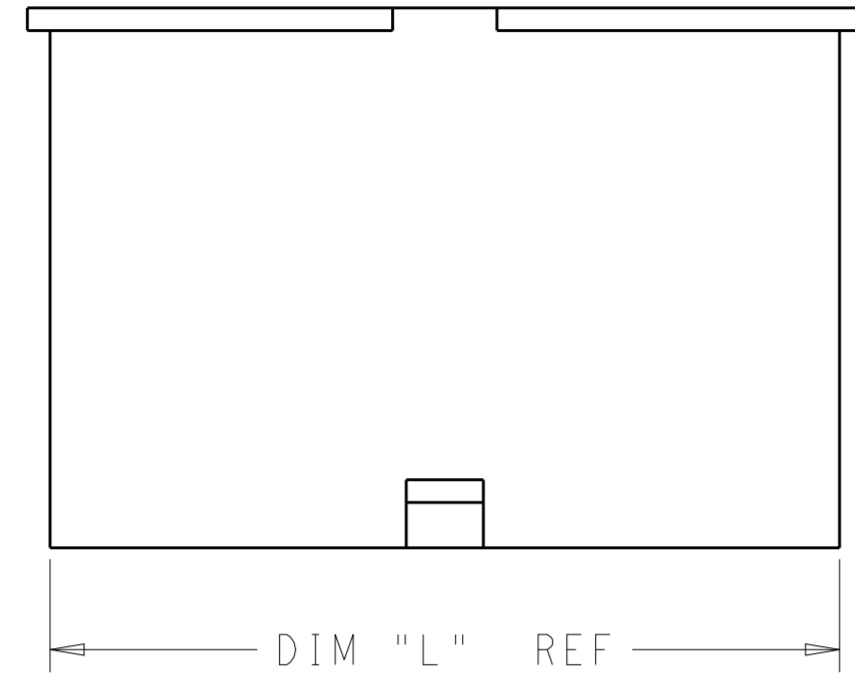


THIS DRAWING IS UNPUBLISHED. RELEASED FOR PUBLICATION 20
 © COPYRIGHT 20 BY - ALL RIGHTS RESERVED.

LOC	DIST	REVISIONS			
P	LTR	DESCRIPTION	DATE	DWN	APVD
AF	-	A	REVISED PER ECR-13-018775	11DEC2013	KH KR



51.60	24	2-1969612-4
47.40	22	2-1969612-2
43.20	20	2-1969612-0
39.00	18	1-1969612-8
34.80	16	1-1969612-6
30.60	14	1-1969612-4
26.40	12	1-1969612-2
22.20	10	1-1969612-0
18.00	8	1969612-8
13.80	6	1969612-6
9.60	4	1969612-4
5.40	2	1969612-2
DIM L	NO. OF POS	PART NO.

THIS DRAWING IS A CONTROLLED DOCUMENT.		DWN	JR RUTH	18JAN13	TE Connectivity		
DIMENSIONS:		CHK	KURT RANDOLPH	18JAN13			
TOLERANCES UNLESS OTHERWISE SPECIFIED:		APVD	KURT RANDOLPH	18JAN13			
mm		PRODUCT SPEC					
0 PLC ± 1 PLC ± 2 PLC ±0.25 3 PLC ± 4 PLC ± ANGLES ±		APPLICATION SPEC			NAME	PLUG HOUSING VAL-U-LOK	
MATERIAL		WEIGHT			SIZE	A200779	
NYLON 6/6, V0		FINISH	COLOR-NATURAL	Customer Drawing	CAGE CODE	C-1969612	
		SCALE	3:1	SHEET	1	OF	1
		REV	A				