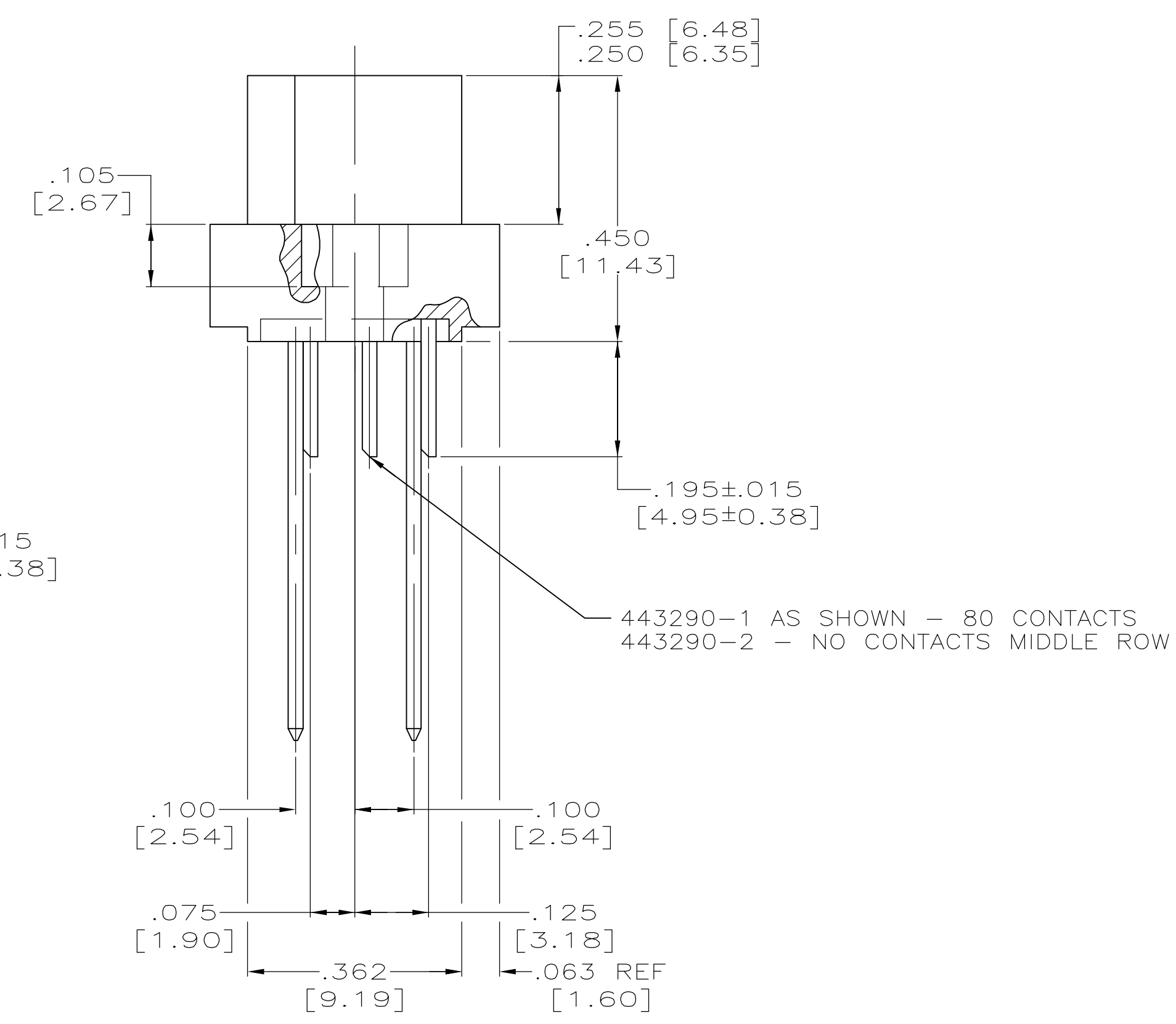
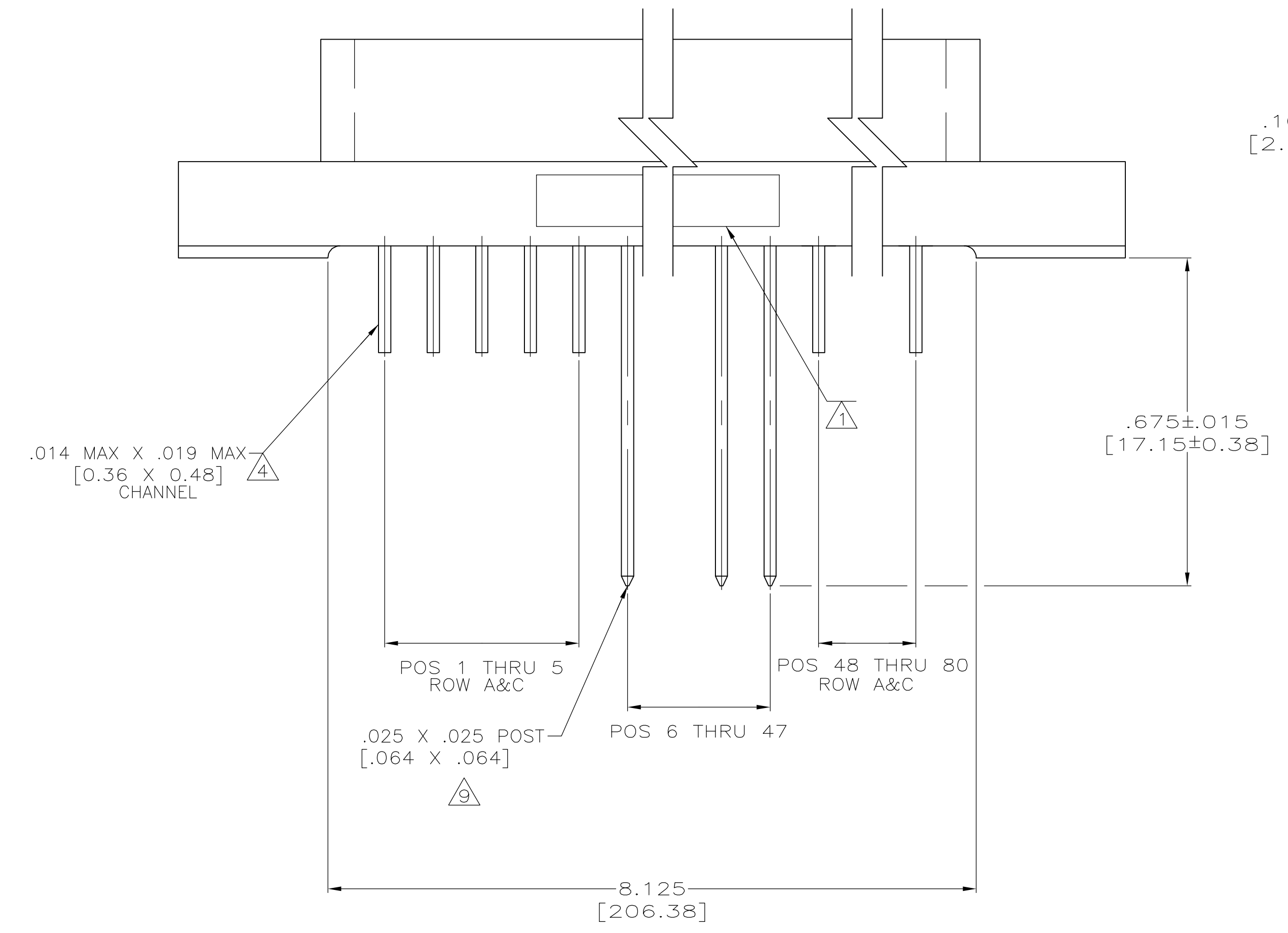


- 1 MARK 00779, AMP, DATE CODE, AND PART NO ON OPOSITE SIDE.
- 2 HOUSING MATERIAL: POLYPHENYLENE SULFIDE GST-40F PER MIL-M-24519.
- 3 CONTACT MATERIAL: BERYLLIUM COPPER ASTM-B-194 OR COPPER-NICKEL-SILICON PER UNS-C70260.
- 4 CONTACT FINISH: .000050 [0.00127] MIN GOLD IN CONTACT AREA, .000100 [0.00254] MIN TIN-LEAD ON SOLDER TAILS, OVER .000030 [0.00076] MIN NICKEL ENTIRE CONTACT.
- 5 LINES INDICATING EVERY FIVE CAVITIES ON THIS SURFACE EXCEPT END CAVITIES, STARTING FROM POSITION 1.
- 6 NUMBERS INDICATING END CAVITIES ON THIS SURFACE .062±.010 [1.57±0.25] HIGH CHARACTERS.
- 7 TESTING: GROUP A AND B PER MIL-C-55302.
- 8 LETTERS INDICATING OUTSIDE ROWS ON THIS SURFACE.
- 9 CONTACT FINISH: .000050 [0.00127] MIN GOLD OVER .000030 [0.00076] MIN NICKEL OVER ENTIRE CONTACT.



160	I	240	443290-2
240	I	240	443290-1
NO OF CONTACTS	TYPE	NO OF POSN	PART NUMBER

THIS DRAWING IS A CONTROLLED DOCUMENT.

DIMENSIONS: INCHES	TOLERANCES UNLESS OTHERWISE SPECIFIED:	DWN T. ALEXANDER 3-5-96	chk D. MILLER 4-9-96	tyco Electronics	Tyco Electronics Corporation Harrisburg, PA 17105-3608
0 PLC ± -	1 PLC ± -	2 PLC ± -	3 PLC ± .005 [0.13]	4 PLC ± -	ANGLES ± -
FINISH		PRODUCT SPEC	APPLICATION SPEC	SIZE	CAGE CODE
MATERIAL		WEIGHT	A1 00779	DRAWING NO	RESTRICTED TO
CUSTOMER DRAWING		SCALE	5:1	SHEET	1 OF 1

RECEPTACLE ASSEMBLY, BOX, .100 C/L, SELECT LOAD

443290-1 AS SHOWN - 80 CONTACTS
 443290-2 - NO CONTACTS MIDDLE ROW

Mouser Electronics

Authorized Distributor

Click to View Pricing, Inventory, Delivery & Lifecycle Information:

[TE Connectivity:](#)

[443290-1](#)