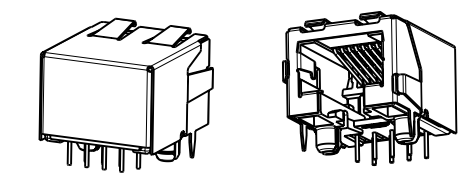
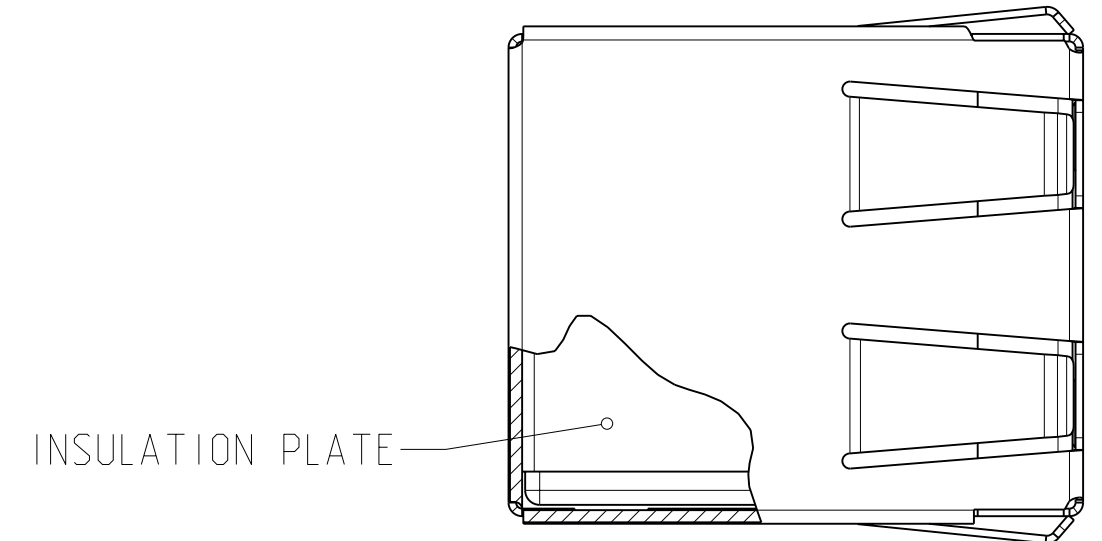
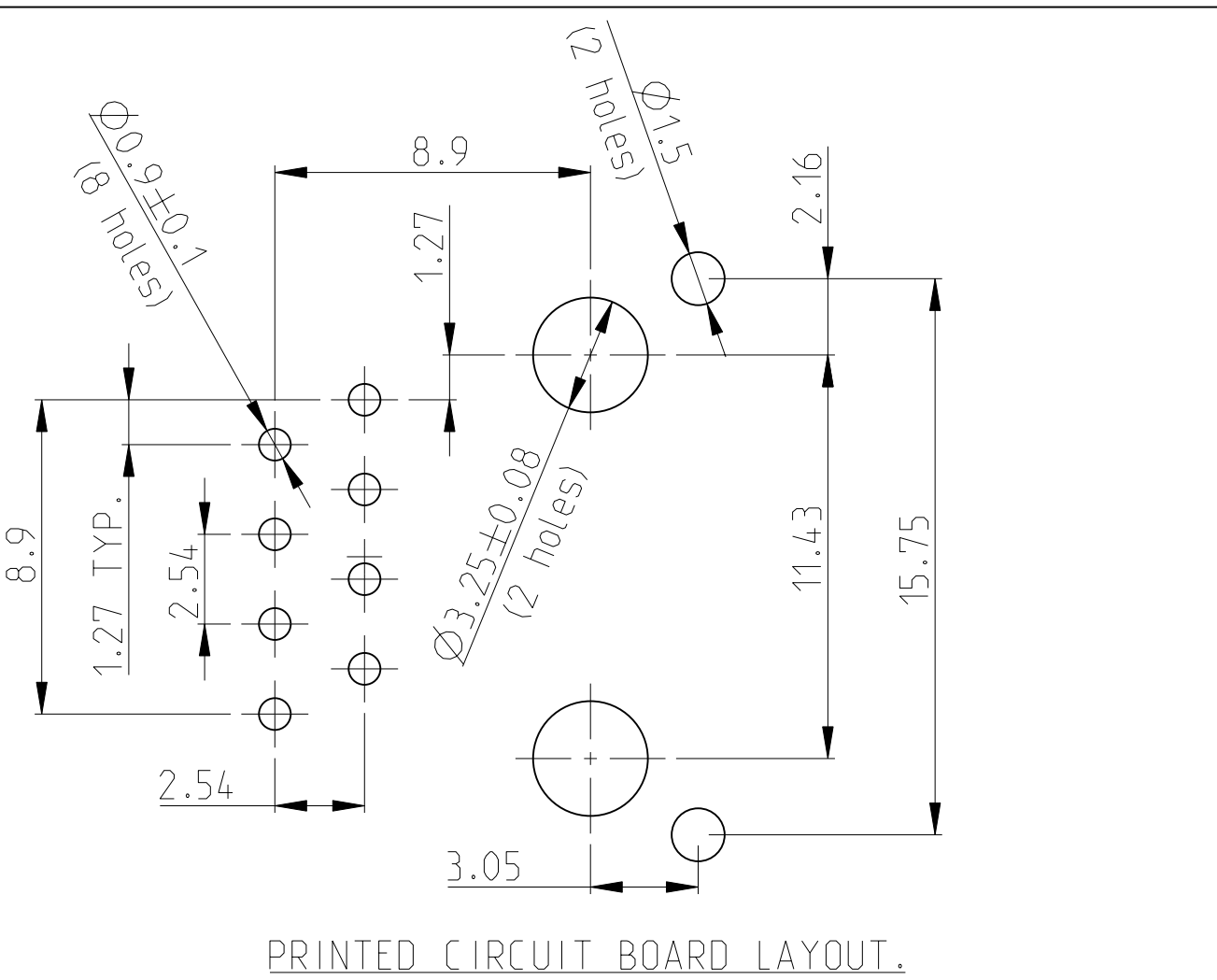
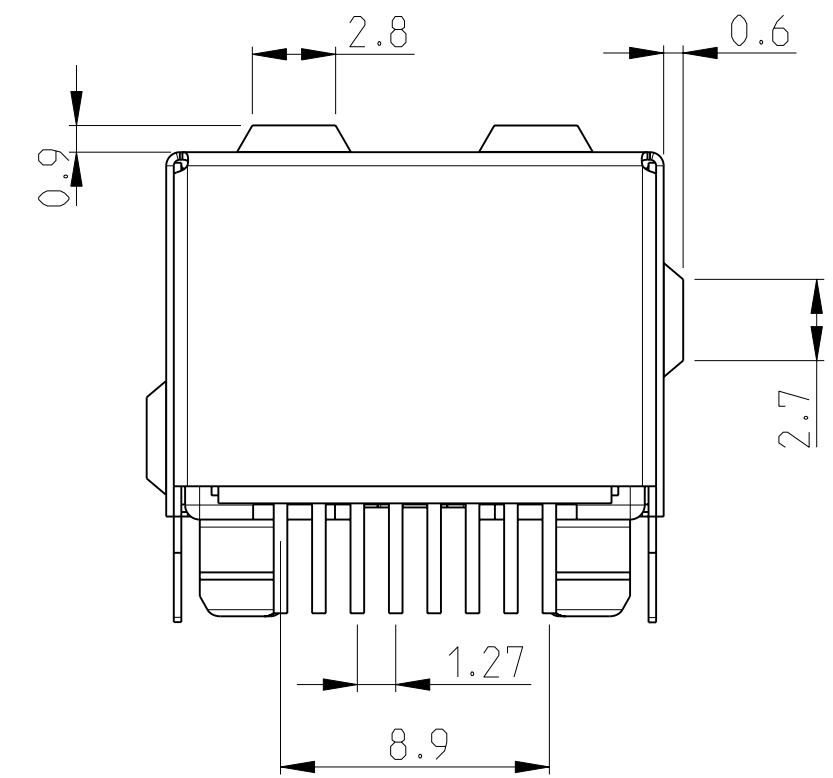
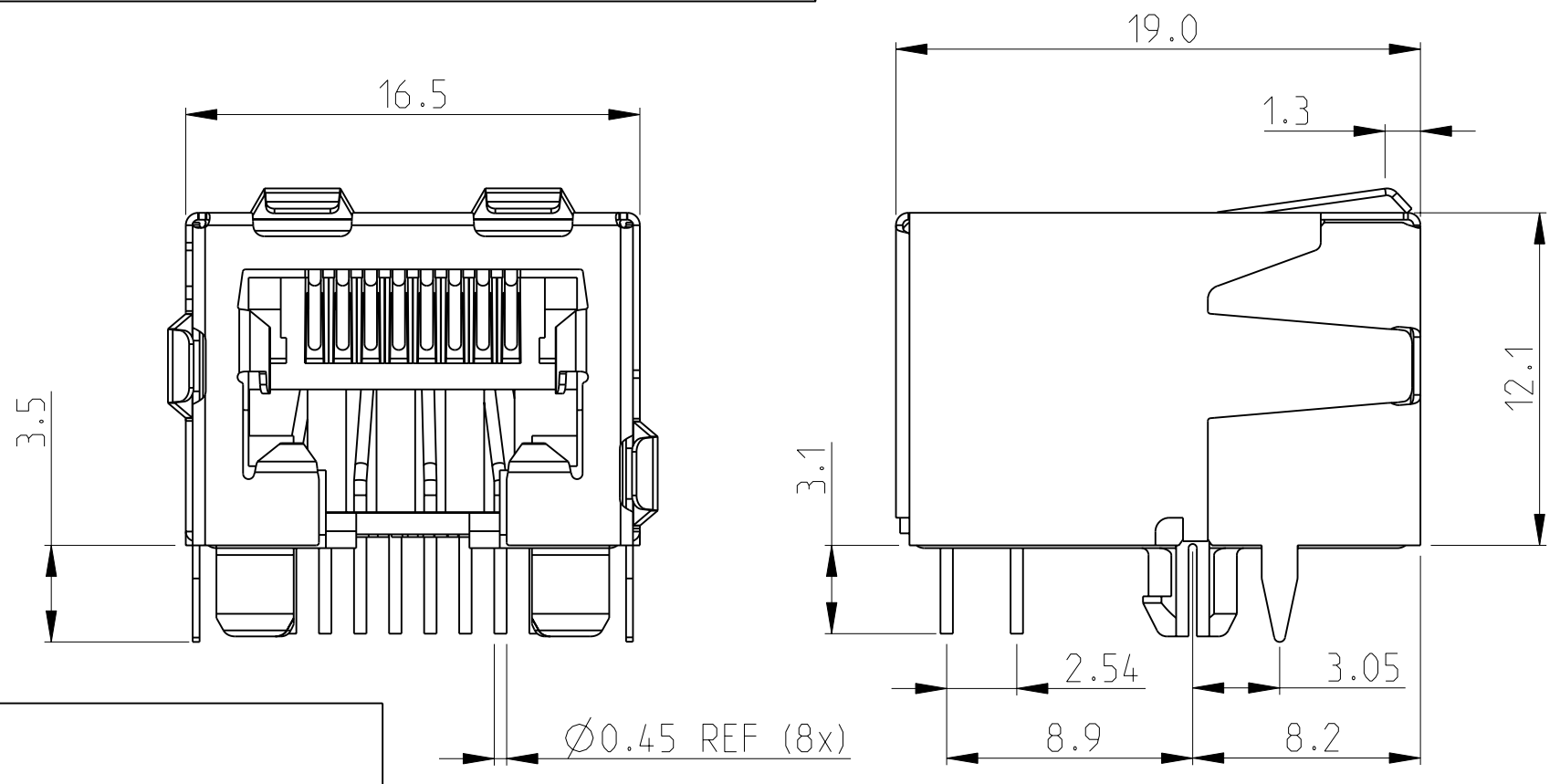
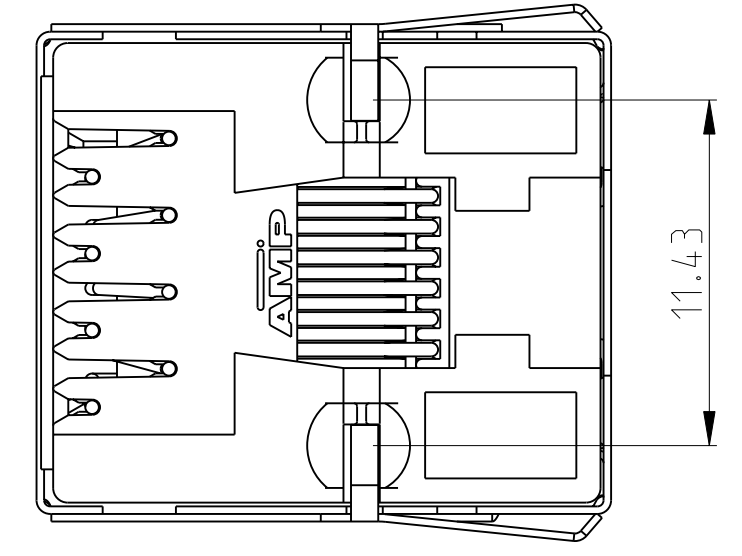
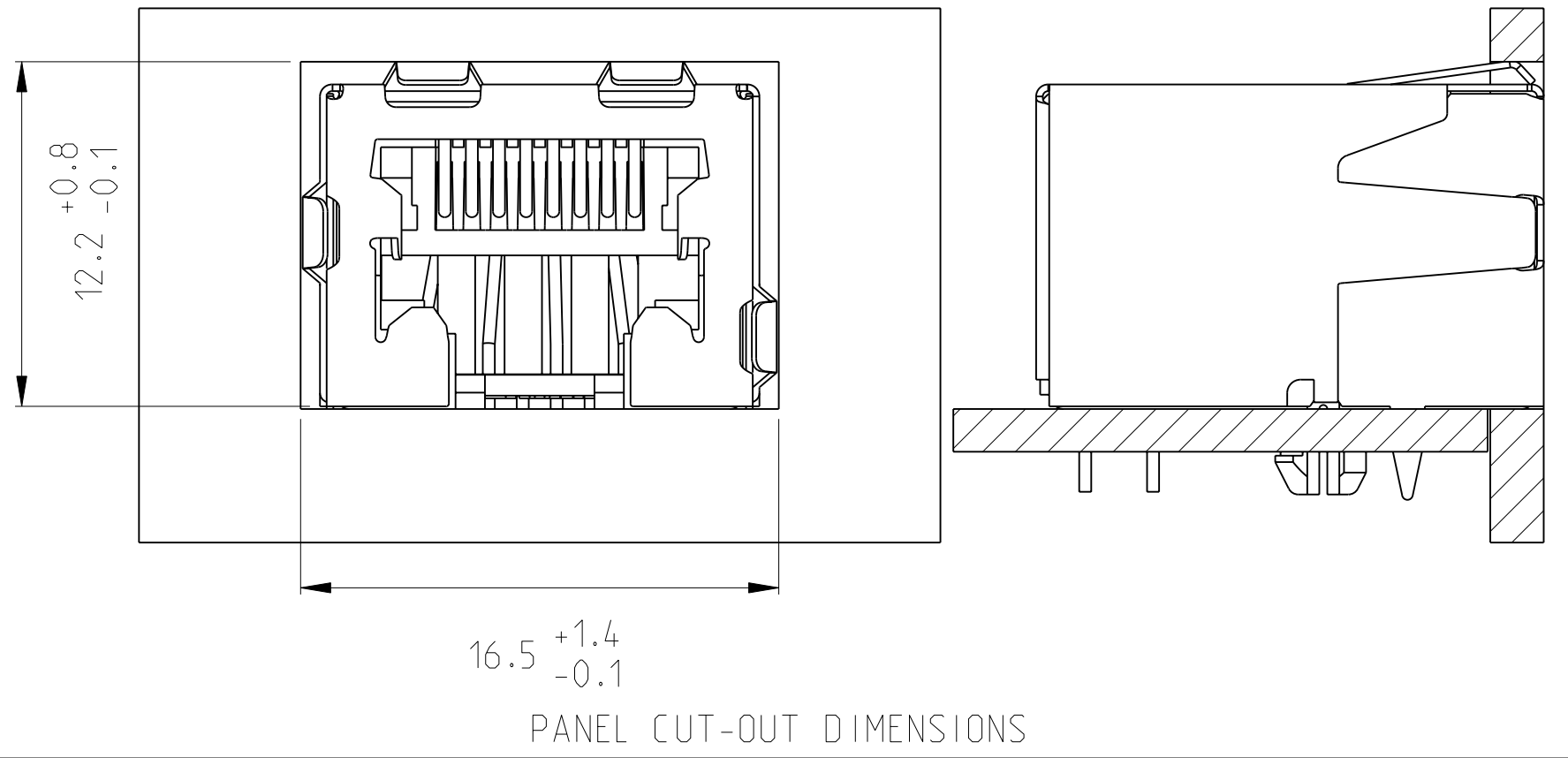


THIS DRAWING IS UNPUBLISHED. RELEASED FOR PUBLICATION 2000
 © COPYRIGHT 2000 ALL RIGHTS RESERVED.

LOC	DIST	REVISIONS					
		P	LTR	DESCRIPTION	DATE	DWN	APVD
IR	-	J		ECR-10-020218	21JUN2011	PS	RRP
		K		SHIELD RAW MATERIAL CHANGE TO BRASS	08MAR2012	PS	RRP



SCALE: 1:1

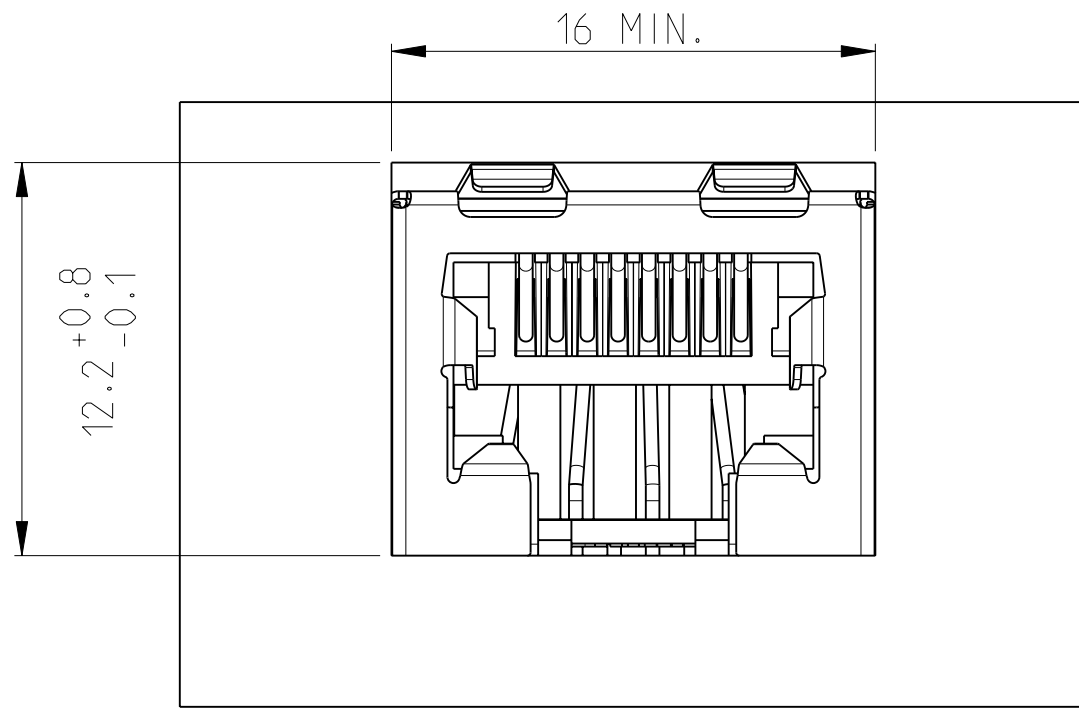
PACKAGED 190 PIECES IN A TRAY	8 POS. 8 CONT.	OVERALL: Ni 1.27 µm MIN. ALL OVER THE CONTACTS SOLDER ZONE: Sn 2.5 µm MIN. ON THE SOLDER ZONE OF THE CONTACT MATING ZONE: PLATING CONFIRMS TO PRODUCT REQUIREMENTS AS PER SPECIFICATION 108-19064	HOUSING: PBT UL 94 V-0 BLACK CONTACTS: PHOSPHOR BRONZE SHIELD: BRASS PRE-PLATED (BRIGHT TIN)	2-338556-1
PACKAGING	REMARKS	DESCRIPTION	MATERIAL	P/N

PRINTED CIRCUIT BOARD LAYOUT.
 (VIEW SHOWN IS CIRCUIT (NONCOMPONENT) SIDE OF BOARD)
 PRINTED CIRCUIT BOARD THICKNESS: 1.6 mm NOMINAL.
 TOLERANCE UNLESS OTHERWISE SPECIFIED: ±0.05mm.

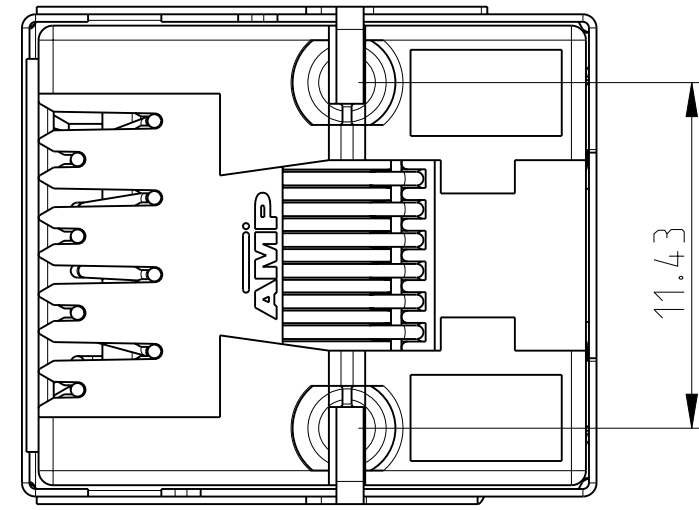
THIS DRAWING IS A CONTROLLED DOCUMENT.		DWN E.v.EIJK	TE Connectivity		
DIMENSIONS: mm		CHK M.v.ESSEN	NAME 8 pos. Modular Jack Side Entry fully shielded with insulation plate		
TOLERANCES UNLESS OTHERWISE SPECIFIED:		APVD R.SMEETS	PRODUCT SPEC 108-19064		
0 PLC ±0.15		APPLICATION SPEC 114-19019		SIZE A2	CAGE CODE 00779
1 PLC ±0.15		WEIGHT		DRAWING NO 338556	RESTRICTED TO
2 PLC ±0.15		MATERIAL		SCALE 4:1	SHEET 1 OF 2
3 PLC ±0.15		FINISH		REV K	
4 PLC ±0.15		CUSTOMER DRAWING			
ANGLES FINISH					

THIS DRAWING IS UNPUBLISHED. RELEASED FOR PUBLICATION 2000
 © COPYRIGHT 2000 ALL RIGHTS RESERVED.

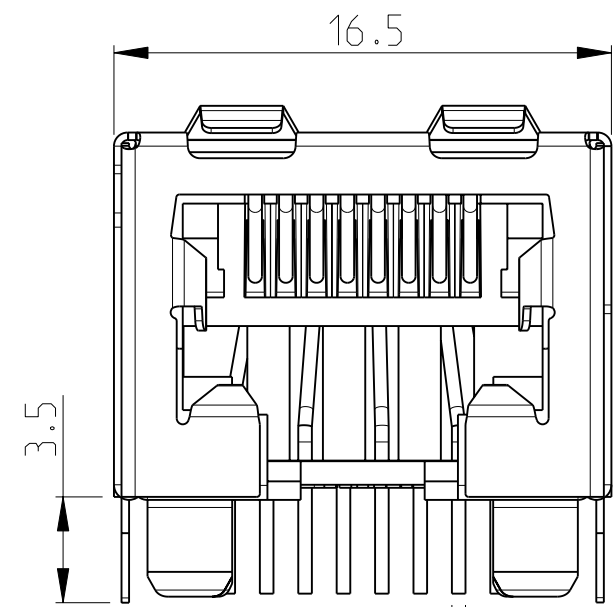
LOC	DIST	REVISIONS				
P	LTR	DESCRIPTION	DATE	DWN	APVD	
IR	-	SEE SHEET 1	-	-	-	



PANEL CUT-OUT DIMENSIONS

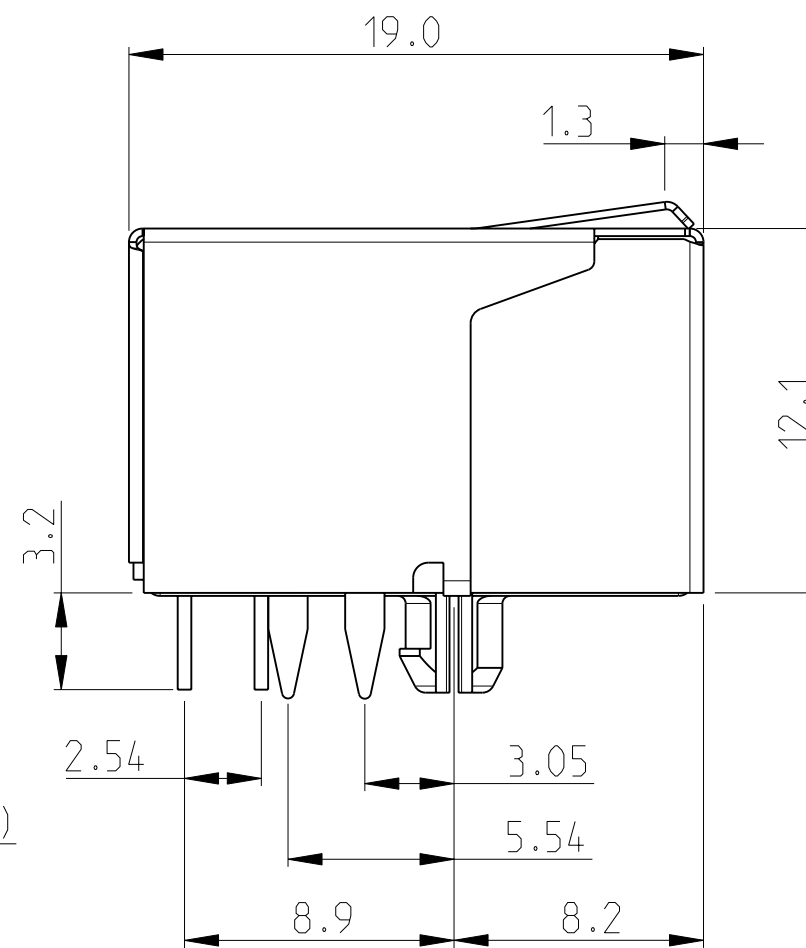


11.43



3.5

16.5



3.2

19.0

1.3

12.1

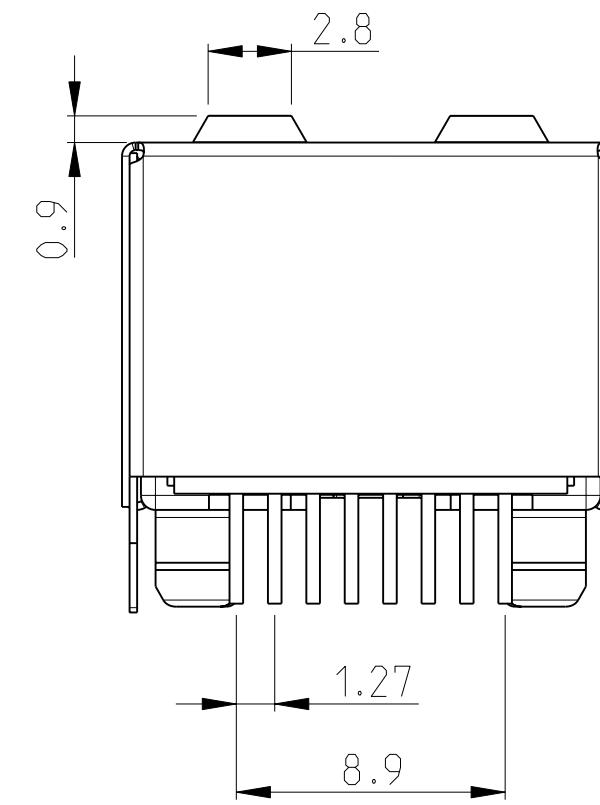
2.54

3.05

5.54

8.9

8.2



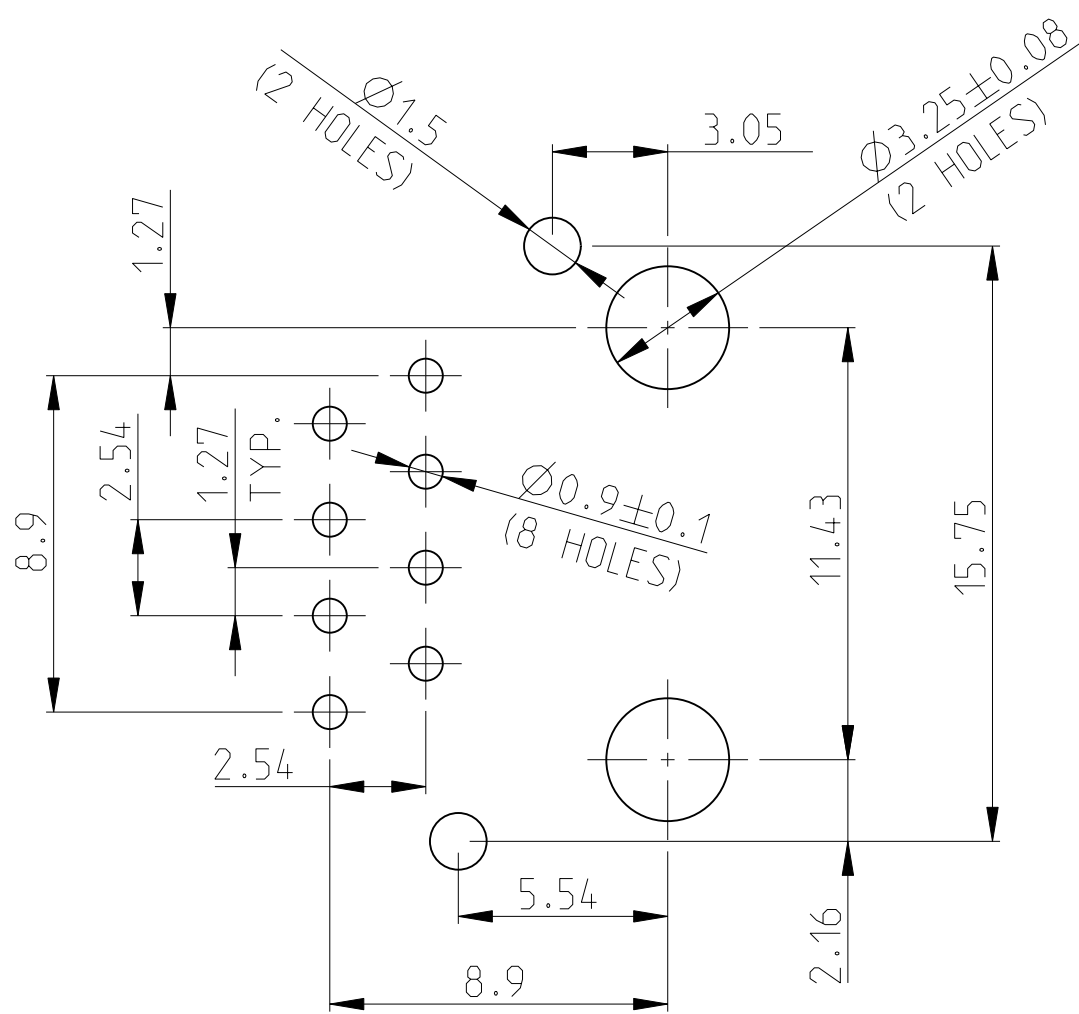
0.9

2.8

1.27

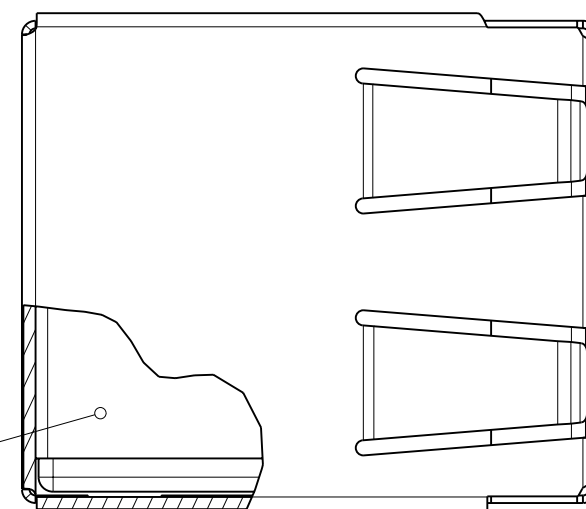
8.9

Ø0.45 REF (8x)



PRINTED CIRCUIT BOARD LAYOUT.

(VIEW SHOWN IS CIRCUIT (NONCOMPONENT) SIDE OF BOARD.)
 PRINTED CIRCUIT BOARD THICKNESS: 1.6 mm NOMINAL.
 TOLERANCE UNLESS OTHERWISE SPECIFIED: ± 0.15 mm.



INSULATION PLATE

PACKAGING	REMARKS	DESCRIPTION	MATERIAL	P/N																																															
PACKAGED 190 PIECES IN A TRAY	8 POS. 8 CONT.	OVERALL: Ni 1.27 µm MIN. ALL OVER THE CONTACTS SOLDER ZONE: Sn 2.5 µm MIN. ON THE SOLDER ZONE OF THE CONTACT MATING ZONE: PLATING CONFIRMS TO PRODUCT REQUIREMENTS AS PER SPECIFICATION 108-19064	HOUSING: PBT UL 94V-0 BLACK CONTACTS: PHOSPHOR BRONZE SHIELD: BRASS PRE-PLATED BRIGHT TIN	3-338556-1																																															
THIS DRAWING IS A CONTROLLED DOCUMENT.		<table border="1"> <tr> <td>DWN</td> <td>E.v.EIJK</td> <td colspan="2"> TE Connectivity </td> </tr> <tr> <td>CHK</td> <td>M.v.ESSSEN</td> <td colspan="2">NAME</td> </tr> <tr> <td>APVD</td> <td>R.SMEETS</td> <td colspan="2">8 pos. Modular Jack Side Entry fully shielded with insulation plate</td> </tr> <tr> <td colspan="2">PRODUCT SPEC</td> <td>SIZE</td> <td>CAGE CODE</td> <td>DRAWING NO</td> </tr> <tr> <td colspan="2">108-19064</td> <td>A2</td> <td>00779</td> <td>©338556</td> </tr> <tr> <td colspan="2">APPLICATION SPEC</td> <td colspan="3">RESTRICTED TO</td> </tr> <tr> <td colspan="2">114-19019</td> <td colspan="3">-</td> </tr> <tr> <td colspan="2">WEIGHT</td> <td colspan="3">-</td> </tr> <tr> <td colspan="2">CUSTOMER DRAWING</td> <td>SCALE</td> <td>SHEET</td> <td>REV</td> </tr> <tr> <td colspan="2">-</td> <td>4:1</td> <td>2</td> <td>K</td> </tr> </table>			DWN	E.v.EIJK	TE Connectivity		CHK	M.v.ESSSEN	NAME		APVD	R.SMEETS	8 pos. Modular Jack Side Entry fully shielded with insulation plate		PRODUCT SPEC		SIZE	CAGE CODE	DRAWING NO	108-19064		A2	00779	©338556	APPLICATION SPEC		RESTRICTED TO			114-19019		-			WEIGHT		-			CUSTOMER DRAWING		SCALE	SHEET	REV	-		4:1	2	K
DWN	E.v.EIJK	TE Connectivity																																																	
CHK	M.v.ESSSEN	NAME																																																	
APVD	R.SMEETS	8 pos. Modular Jack Side Entry fully shielded with insulation plate																																																	
PRODUCT SPEC		SIZE	CAGE CODE	DRAWING NO																																															
108-19064		A2	00779	©338556																																															
APPLICATION SPEC		RESTRICTED TO																																																	
114-19019		-																																																	
WEIGHT		-																																																	
CUSTOMER DRAWING		SCALE	SHEET	REV																																															
-		4:1	2	K																																															

Mouser Electronics

Authorized Distributor

Click to View Pricing, Inventory, Delivery & Lifecycle Information:

[TE Connectivity:](#)

[2-338556-1](#)