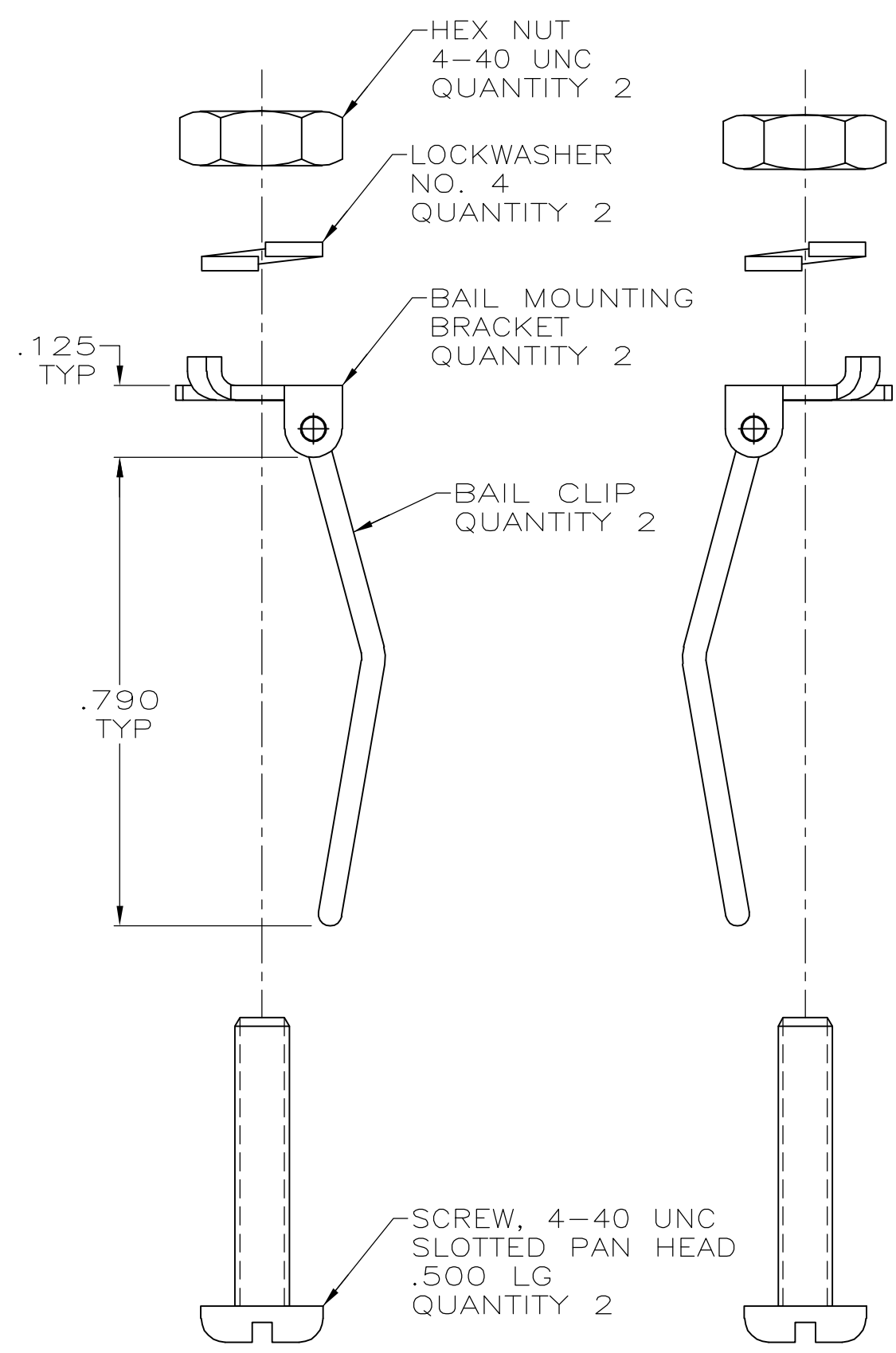
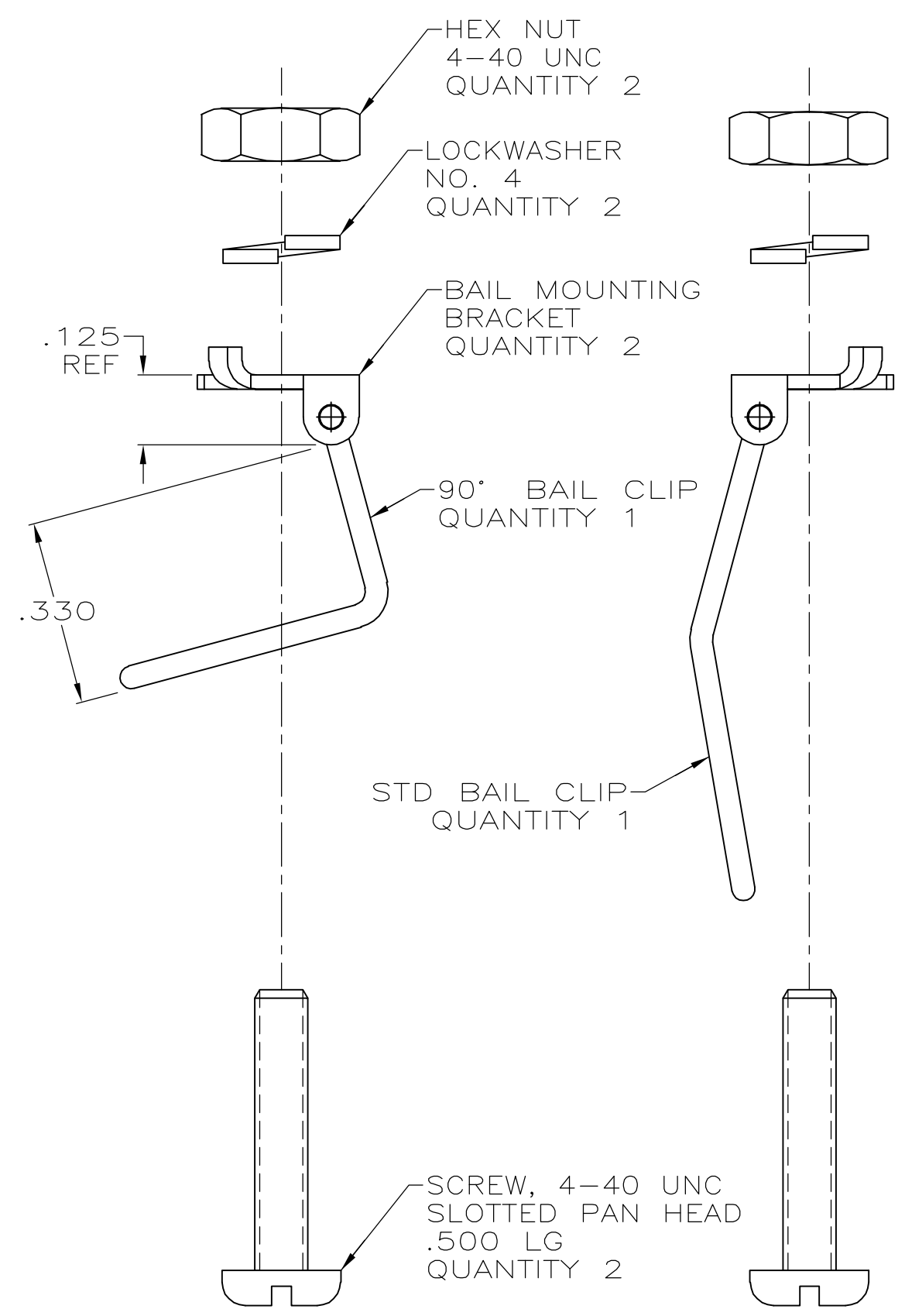


THIS DRAWING IS UNPUBLISHED. RELEASED FOR PUBLICATION
 © COPYRIGHT 2005 BY TYCO ELECTRONICS CORPORATION. ALL RIGHTS RESERVED.

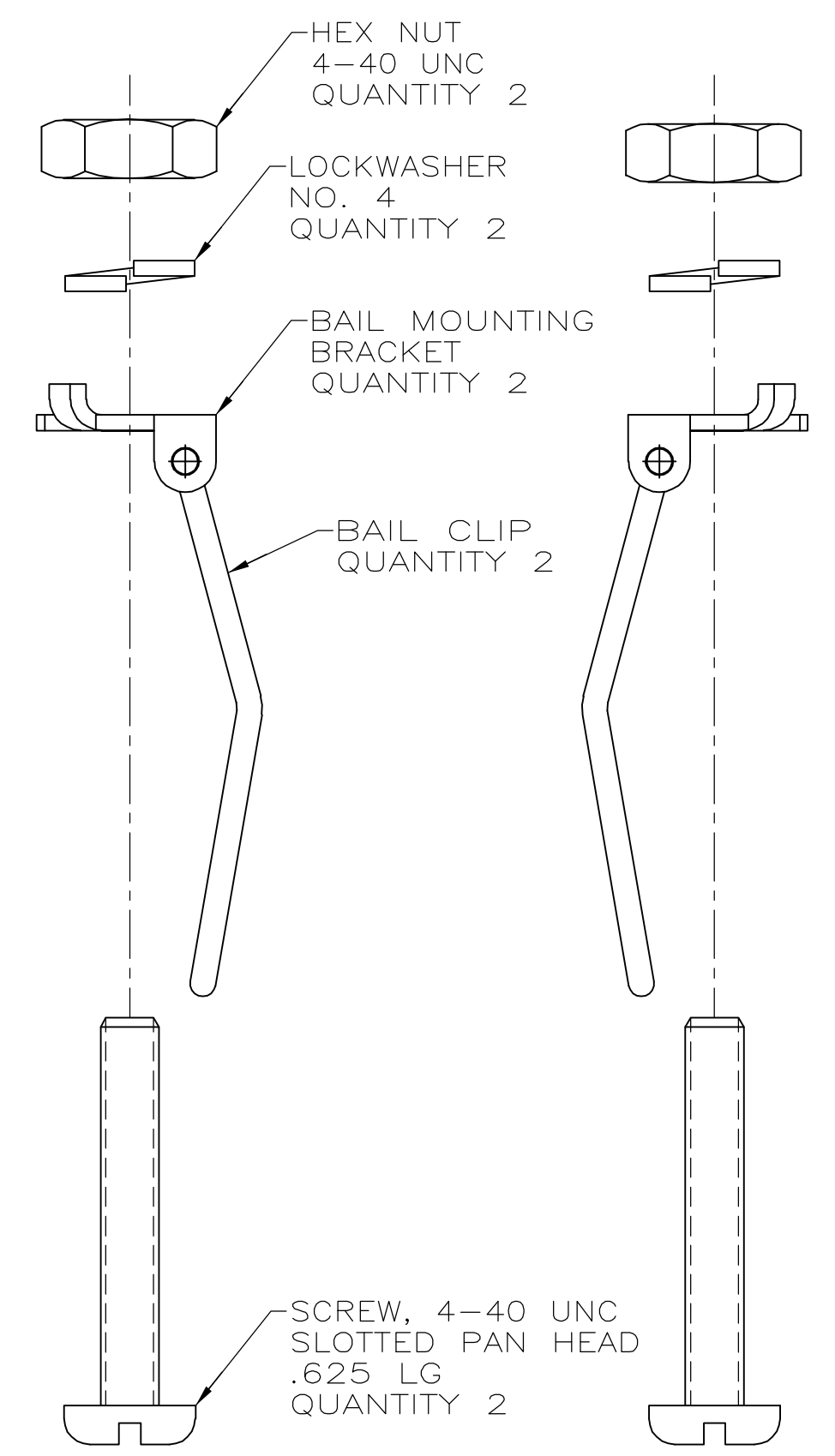
LOC	DIST	REVISIONS			
P	LTR	DESCRIPTION	DATE	DWN	APVD
0		RELEASED PER EC 0513-0288-05	26SEP05	GP	JG



PN 5552567-1



PN 5552567-2



PN 5552567-3

1 MATERIAL: BAIL CLIP - STAINLESS STEEL, PASSIVATED;
 ALL OTHERS PARTS ZINC PLATED STEEL.
 2. PARTS SHIPPED LOOSE PIECE IN A BAG OR CONTAINER.

SCREW LGTH.	90° BAIL CLIP	STD. BAIL CLIP	PART NO.
.625	-	2	5552567-3
.500	1	1	5552567-2
.500	-	2	5552567-1

THIS DRAWING IS A CONTROLLED DOCUMENT.

DWN G.PETERS 26SEP2005		Tyco Electronics Corporation Harrisburg, Pa 17105-3608	
CHK W.MILLHIMES 226SEP05			
APVD M.WALMSLEY 26SEP05	NAME	HARDWARE KIT, BAIL LOCK, PANEL MOUNTING, CHAMP	
PRODUCT SPEC	APPLICATION SPEC	SIZE A2	CAGE CODE 00779
WEIGHT	RESTRICTED TO	DRAWING NO G-5552567	
MATERIAL 1	FINISH 1	CUSTOMER DRAWING	SCALE 4:1 SHEET 1 OF 1 REV 0

5552567

Mouser Electronics

Authorized Distributor

Click to View Pricing, Inventory, Delivery & Lifecycle Information:

[TE Connectivity:](#)

[5552567-1](#)