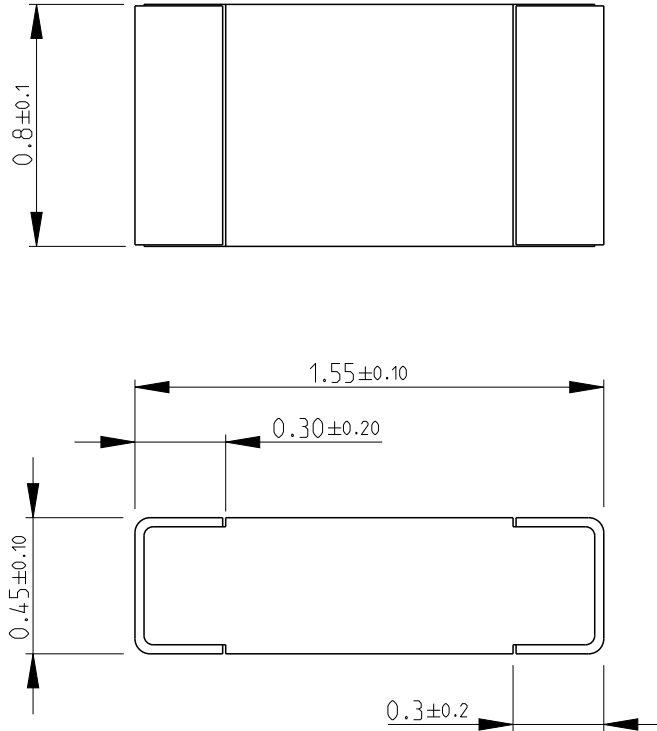
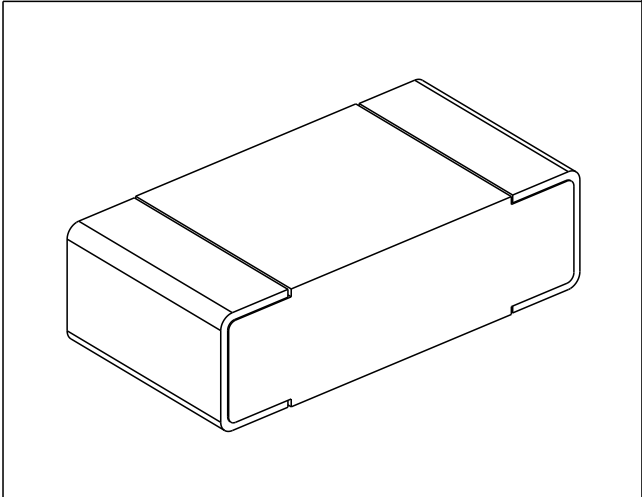


REVISIONS					
P	LTR	DESCRIPTION	DATE	DWN	APVD
	BA1	ECR-14-009193	19JUN2014	KR	TN

FOR FURTHER INFORMATION SEE DATA SHEET FOR CPF SERIES-THIN FILM PRECISION CHIP RESISTORS



RoHS Compliant



2008

RELEASED FOR PUBLICATION

ALL RIGHTS RESERVED.

THIS DRAWING IS UNPUBLISHED.

BY -

© COPYRIGHT 2008

DIMENSIONS: mm	DWN SUBHASH.M	29-Sep-08	MATERIAL	-	FINISH	-
	CHK PRAKASH.S	29-Sep-08				
TOLERANCES UNLESS OTHERWISE SPECIFIED:	APVD STEPHEN.P	29-Sep-08				
	0 PLC $\pm 0.2$	PRODUCT SPEC	-	NAME	THIN FILM PRECISION CHIP RESISTORS SERIES CPF 0603	
1 PLC $\pm 0.1$	APPLICATION SPEC	-	SIZE	CAGE CODE	DRAWING NO	RESTRICTED TO
2 PLC $\pm$			A 4	00779	C=1879336	-
3 PLC $\pm$						
4 PLC $\pm$						
ANGLES $\pm 5^\circ$						
	WEIGHT	-	Customer Drawing			
			SCALE	40:1	SHEET	1 OF 1
					REV	BA1

# Mouser Electronics

Authorized Distributor

Click to View Pricing, Inventory, Delivery & Lifecycle Information:

[TE Connectivity:](#)

[2-1879336-5](#)