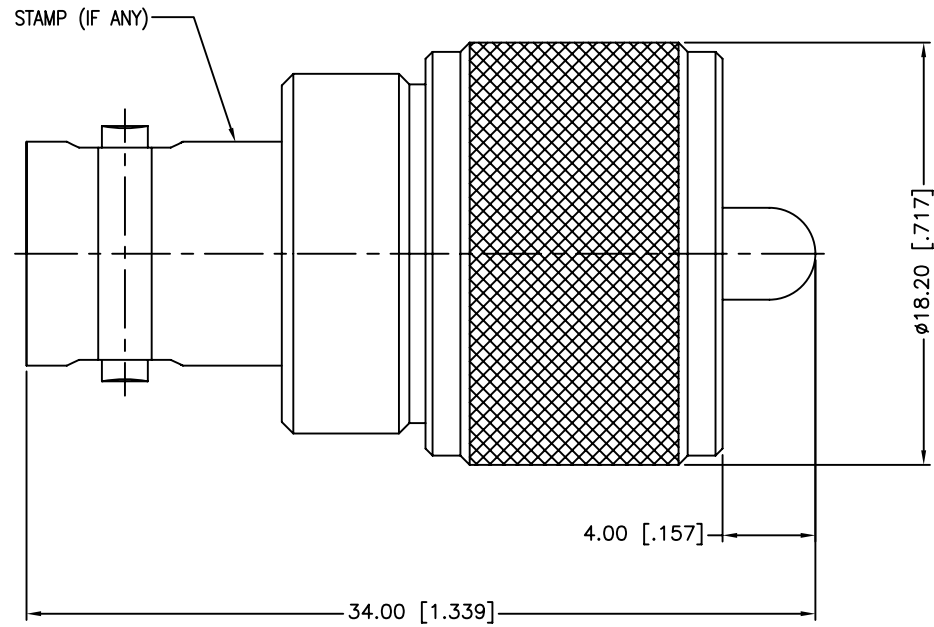


REV.	DATE	ECR NO.	DESCRIPTION
A	01/22/04	XXXXXX	UPDATE DRAWING FORMAT
B	05/20/11	2177	CHANGE THE PLATING OF BODY TO NICKEL



QTY	FINISH	MATERIAL	DESCRIPTION
1	NICKEL	BRASS	BODY
1	NATURAL	PTFE	INSULATOR
1	GOLD	PHOSPHOR BRONZE	CONTACT PIN (BNC)
1	GOLD	BRASS	CONTACT PIN (UHF)

UNLESS OTHERWISE SPECIFIED DIMENSIONS ARE IN MILLIMETERS. DIMENSIONS IN [ ] ARE IN INCHES AND FOR CUSTOMER REFERENCE ONLY.

UNLESS OTHERWISE SPECIFIED TOLERANCES FOR MILLIMETERS ARE:  
0.5 - 8mm ± 0.20mm  
8 - 30mm ± 0.40mm  
30 - 120mm ± 0.50mm

UNLESS OTHERWISE SPECIFIED TOLERANCES FOR INCHES ARE:  
.020 - .315 = ± 0.007"  
.315 - 1.180 = ± 0.015"  
1.180 - 4.724 = ± 0.020"

DO NOT SCALE DRAWING

APPROVALS	DATE
DRAWN M.ZHANG	05/20/11
CHECKED	
ISSUED	
SHEET 1 OF 1	
CAD FILE C:/CONNEX/242164.DWG	

**Amphenol Connex**

PART DESCRIPTION  
**BNC FEMALE TO UHF MALE ADAPTOR**

PART NO.  
**242164**

DWG. NO. 242164.DWG	REV. B	SIZE A	SCALE NA
---------------------	--------	--------	----------

# Mouser Electronics

Authorized Distributor

Click to View Pricing, Inventory, Delivery & Lifecycle Information:

[Amphenol:](#)

[242164](#)