

REVISIONS				
REV.	ECN	DESCRIPTION	DATE	APPROVED
A		PROPOSAL	APR 29.11	A.G
B		ADD THE THICKNESS DIM AND TRACE KEEP OUT AREA OF THE PCB	AUG 07.11	A.G
C		MODIFY THE DIMENSION BETWEEN PCB AND BEZEL	AUG 15.11	A.G
D		ADD 2X8 OPTION	JUL 04.12	J.SI

MATERIAL:

CAGE - PRESS FIT:
COPPER ALLOY

PLATING:
SEE AMPHENOL PART NUMBER
CONFIGURATION FOR OPTIONS.

CONNECTOR - PRESS FIT

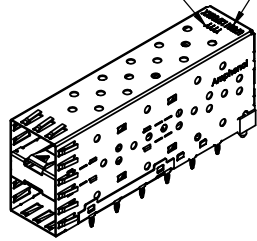
PLASTIC HOUSING:
LIQUID CRYSTAL POLYMER (LCP),
FLAMMABILITY RATING UL94-0.

CONTACTS:
PHOSPHOR BRONZE
PLATING OPTION:
SEE AMPHENOL PART NUMBER
CONFIGURATION FOR OPTIONS.

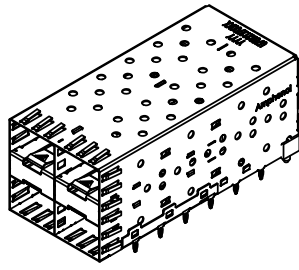
PACKAGING:
TRAY PACKAGING.

TEMPERATURE RANGE:
-40°C TO +85°C

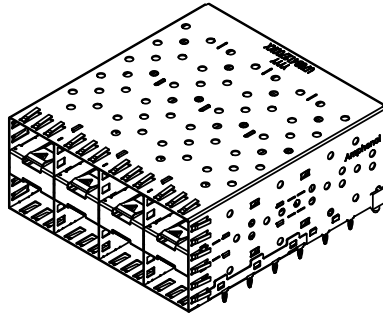
DATE CODE
PART NUMBER
(LAST DIGIT INDICATING
PACKAGING TYPE,
NOT PRINTED ON THE PART)



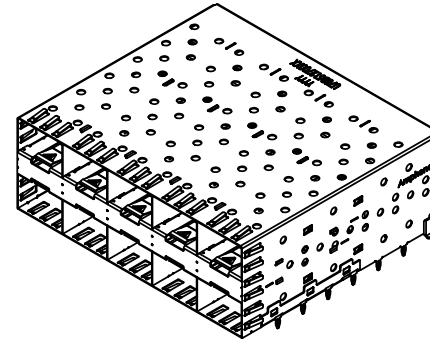
UE78-B1127-00XX1



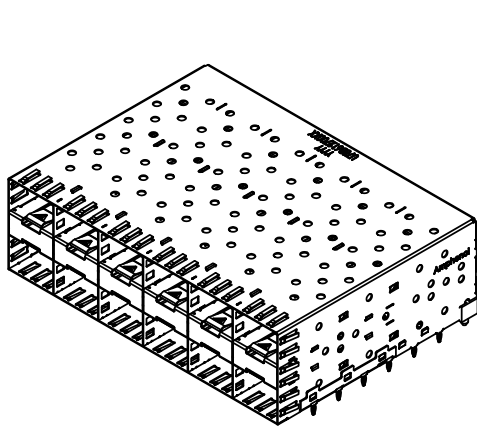
UE78-B2127-00XX1



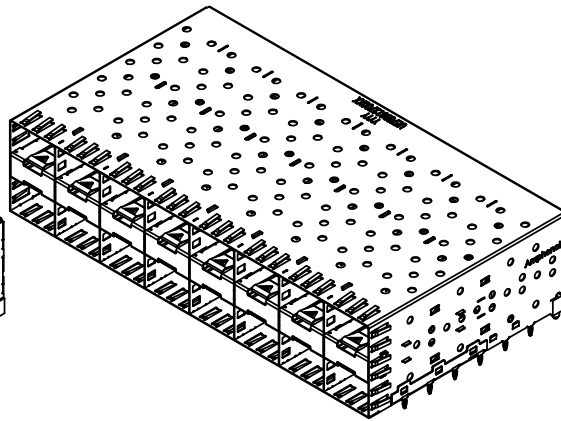
UE78-B4127-00XX1



UE78-B5127-00XX1



UE78-B6127-00XX1



UE78-B8127-00XX1

AMPHENOL PART NUMBER CONFIGURATION

UE78-B X 1 27-00 X X 1

E=ROHS COMPLIANT

NUMBER OF PORTS

- 1 = 2X1
- 2 = 2X2
- 4 = 2X4
- 5 = 2X5
- 6 = 2X6
- 8 = 2X8

PACKAGING

- 1 = TRAY PACKAGING

CAGE PLATING

- 2 = NICKEL PLATING
- 3 = MATTE TIN PLATING

PRESS FIT CONNECTOR PLATING

- 3 = 30 μ" MIN. GOLD ON MATING AREA
- 150-300 μ" MATTE TIN ON TERMINATION
- 6 = 15 μ" MIN. GOLD ON MATING AREA
- 150-300 μ" MATTE TIN ON TERMINATION



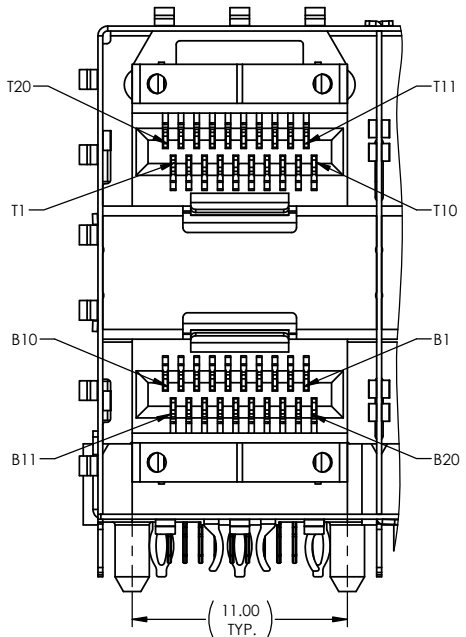
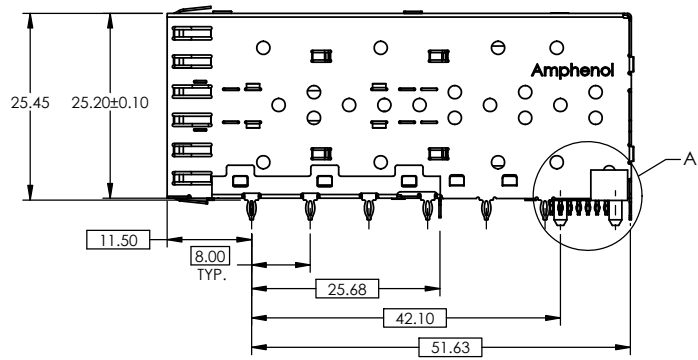
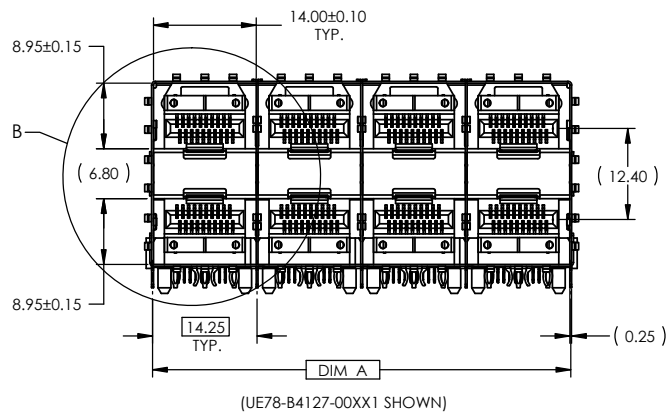
DO NOT SCALE DRAWING

THIS DOCUMENT CONTAINS PROPRIETARY INFORMATION AND SUCH INFORMATION MAY NOT BE DISCLOSED TO OTHERS FOR ANY PURPOSE OR USED FOR MANUFACTURING PURPOSES WITHOUT PERMISSION FROM AMPHENOL CANADA CORP.

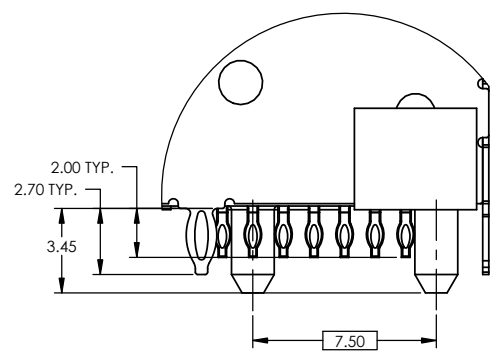
<small>UNLESS OTHERWISE SPECIFIED DIMENSIONS ARE IN MILLIMETERS TOLERANCES ARE:</small> DECIMALS: XX ± 0.25 X.XX ± 0.15 MATERIAL AND FINISH: N/A REF: X CODE IDENT. NO.: 03554	APPROVALS	DATE	Amphenol Canada Corp.	
	DRAWN: MIKE.H	APR 29.11		
	DESIGNED: J.SI	APR 29.11	SFF 2XN STACKED COMBO WITH DOUBLE BEND LATCH	
	CHECKED: J.SI	APR 29.11	GA APPD:	
	E APPD:		SIZE: A3	DWG. NO.: P-UE78-BX127-00XX1
	DWG APPD: A.GREEN	APR 29.11	SCALE: 2:1	PROJECT: PROJECT
			SHEET: 1 OF 4	REV: D

REVISIONS

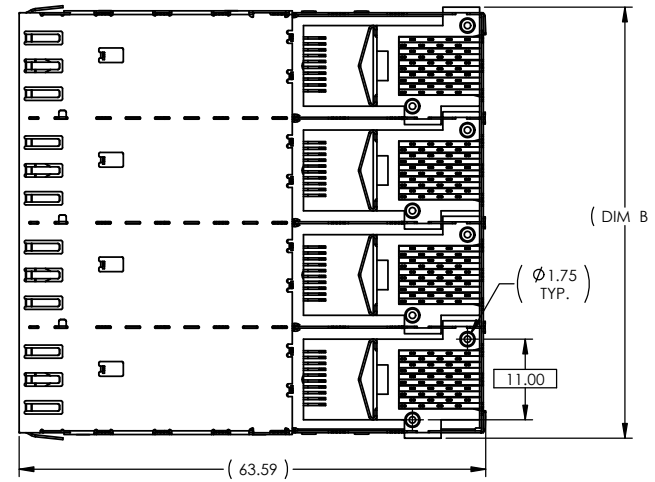
REV.	ECN	DESCRIPTION	DATE	APPROVED
A		PROPOSAL	APR 29.11	A.G
B		ADD THE THICKNESS DIM AND TRACE KEEP OUT AREA OF THE PCB	AUG 07.11	A.G
C		MODIFY THE DIMENSION BETWEEN PCB AND BEZEL	AUG 15.11	A.G
D		ADD 2XB OPTION	JUL 04.12	J.SI



DETAIL B
SCALE 4 : 1
**TYPICAL PIN ASSIGNMENT
ON MATING AREA**



DETAIL A
SCALE 5 : 1



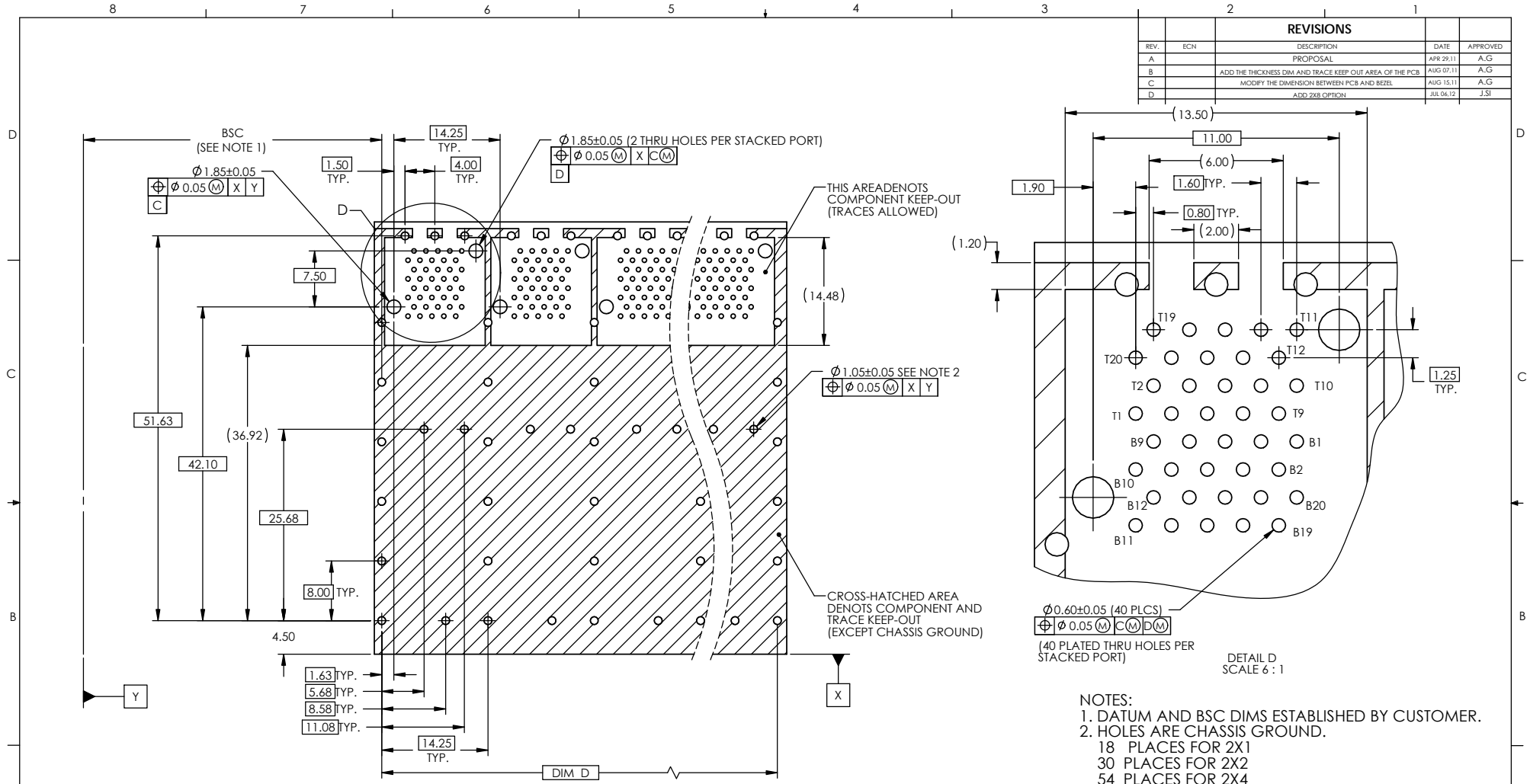
PART NUMBER	DIM A	DIM B
UE78-B1127-00XX1	14.25	16.00
UE78-B2127-00XX1	28.50	30.25
UE78-B4127-00XX1	57.00	58.75
UE78-B5127-00XX1	71.25	73.00
UE78-B6127-00XX1	85.50	87.25
UE78-B8127-00XX1	114.00	115.75

DO NOT SCALE DRAWING

THIS DOCUMENT CONTAINS PROPRIETARY INFORMATION AND SUCH INFORMATION MAY NOT BE DISCLOSED TO OTHERS FOR ANY PURPOSE OR USED FOR MANUFACTURING PURPOSES WITHOUT PERMISSION FROM AMPHENOL CANADA CORP.

UNLESS OTHERWISE SPECIFIED DIMENSIONS ARE IN MILLIMETERS TOLERANCES ARE:		APPROVALS		DATE		Amphenol Canada Corp.	
DECIMALS X.X ± 0.25 X.XX ± 0.15	ANGLES ± 1°	DRAWN MIKE.H	APR 29.11	DESIGNED J.SI	APR 29.11		
MATERIAL AND FINISH N/A		CHECKED J.SI	APR 29.11	GA APPD		TITLE	
REF. X	E APPD	DWG. NO. P-UE78-BX127-00XX1		REV. D	SCALE		
CODE IDENT. NO. 03554	DWG APPD A.GREEN	APR 29.11	2:1	PROJECT	SHEET		2 OF 4

REVISIONS				
REV.	ECN	DESCRIPTION	DATE	APPROVED
A		PROPOSAL	APR 29.11	A.G
B		ADD THE THICKNESS DIM AND TRACE KEEP OUT AREA OF THE PCB	AUG 07.11	A.G
C		MODIFY THE DIMENSION FOR PCB AND BEZEL	AUG 15.11	A.G
D		ADD 2X8 OPTION	JUL 04.12	J.SI



**RECOMMENDED SFP HOST BOARD LAYOUT
(ONE SIDE CAGE MOUNTING)**

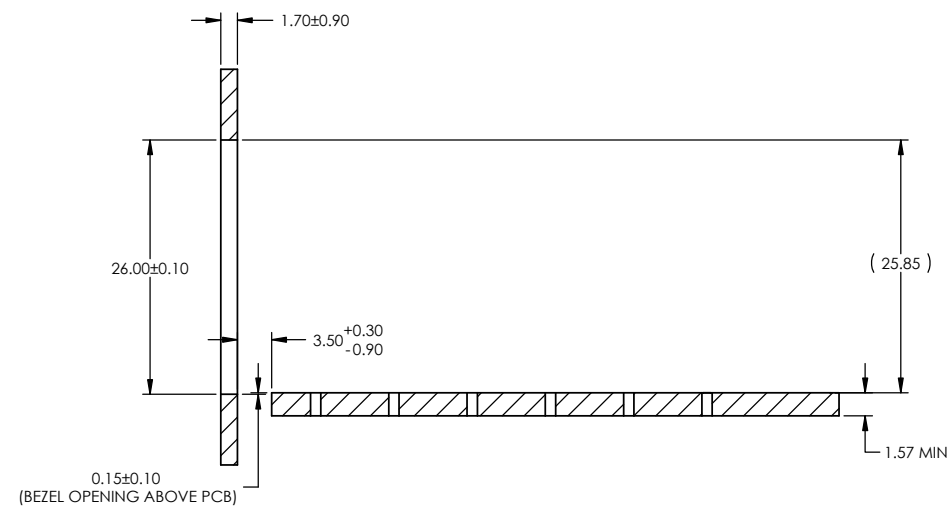
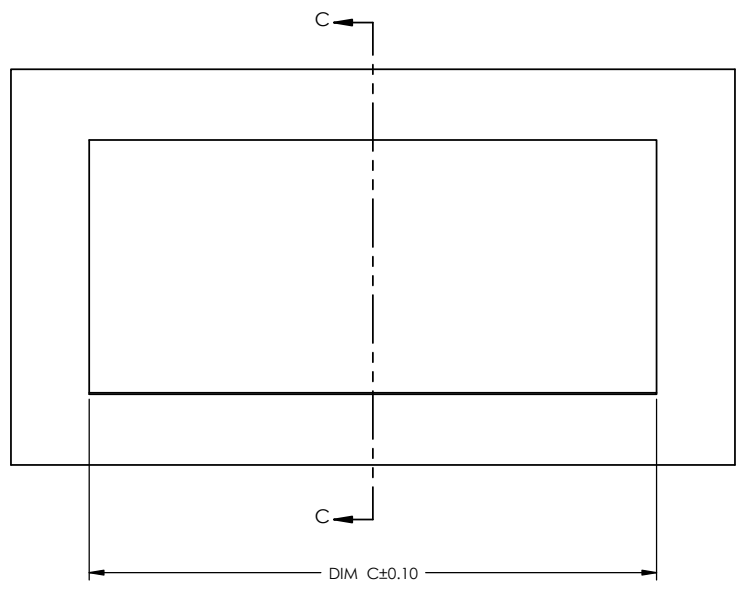
DO NOT SCALE DRAWING

THIS DOCUMENT CONTAINS PROPRIETARY INFORMATION AND SUCH INFORMATION MAY NOT BE DISCLOSED TO OTHERS FOR ANY PURPOSE OR USED FOR MANUFACTURING PURPOSES WITHOUT PERMISSION FROM AMPHENOL CANADA CORP.

- NOTES:**
- DATUM AND BSC DIMS ESTABLISHED BY CUSTOMER.
 - HOLES ARE CHASSIS GROUND.
 - 18 PLACES FOR 2X1
 - 30 PLACES FOR 2X2
 - 54 PLACES FOR 2X4
 - 66 PLACES FOR 2X5
 - 78 PLACES FOR 2X6
 - 102 PLACES FOR 2X8

PART NUMBER		DIM D		UNLESS OTHERWISE SPECIFIED DIMENSIONS ARE IN MILLIMETERS TOLERANCES ARE: DECIMALS ANGLES X.X ± 0.25 ± 1° X.XX ± 0.15	APPROVALS		DATE		Amphenol Canada Corp.	
UE78-B1127-00XX1		14.25			MATERIAL AND FINISH N/A	DRAWN	MIKE.H	APR 29.11		TITLE SFP 2XN STACKED COMBO WITH DOUBLE BEND LATCH
UE78-B2127-00XX1		28.50		DESIGNED		J.SI	APR 29.11			
UE78-B4127-00XX1		57.00		CHECKED		J.SI	APR 29.11			
UE78-B5127-00XX1		71.25		QA APPD						
UE78-B6127-00XX1		85.50		E APPD						
UE78-B8127-00XX1		114.00		F APPD						
REF.	X	CODE IDENT. NO.	03554	SIZE	A3	DWG. NO.	P-UE78-BX127-00XX1	REV.	D	
		DWG APPD	A.GREEN	SCALE	2:1	PROJECT		SHEET	3 OF 4	

REVISIONS				
REV.	ECN	DESCRIPTION	DATE	APPROVED
A		PROPOSAL	APR 29.11	A.G
B		ADD THE THICKNESS DIM AND TRACE KEEP OUT AREA OF THE PCB	AUG 07.11	A.G
C		MODIFY THE DIMENSION BETWEEN PCB AND BEZEL	AUG 15.11	A.G
D		ADD 2X8 OPTION	JUL 06.12	J.SI



SECTION C-C
SCALE 2 : 1

RECOMMENDED BEZEL DESIGN

PART NUMBER	DIM C
UE78-B1127-00XX1	15.25
UE78-B2127-00XX1	29.50
UE78-B4127-00XX1	58.00
UE78-B5127-00XX1	72.25
UE78-B6127-00XX1	86.50
UE78-B8127-00XX1	115.00

DO NOT SCALE DRAWING

THIS DOCUMENT CONTAINS PROPRIETARY INFORMATION AND SUCH INFORMATION MAY NOT BE DISCLOSED TO OTHERS FOR ANY PURPOSE OR USED FOR MANUFACTURING PURPOSES WITHOUT PERMISSION FROM AMPHENOL CANADA CORP.

UNLESS OTHERWISE SPECIFIED DIMENSIONS ARE IN MILLIMETERS TOLERANCES ARE:		APPROVALS		DATE	Amphenol Canada Corp.
DECIMALS X.X ± 0.25 X.XX ± 0.15	ANGLES ± 1°	DRAWN MIKE.H	DESIGNED J.SI	APR 29.11	
MATERIAL AND FINISH N/A	REF. X	CHECKED J.SI	GA APPD	APR 29.11	TITLE SFP 2XN STACKED COMBO WITH DOUBLE BEND LATCH
CODE IDENT. NO. 03554	REF. APPD A.GREEN	DWG APPD A.GREEN	APR 29.11	APR 29.11	SIZE A3
					DWG. NO. P-UE78-BX127-00XX1
					SCALE 2:1
					PROJECT
					REV. D
					SHEET 4 OF 4

Mouser Electronics

Authorized Distributor

Click to View Pricing, Inventory, Delivery & Lifecycle Information:

[Amphenol:](#)

[UE78-B4127-00321](#) [UE78-B6127-00321](#) [UE78-B1127-00321](#)

[FCI / Amphenol:](#)

[UE78B212700321](#)