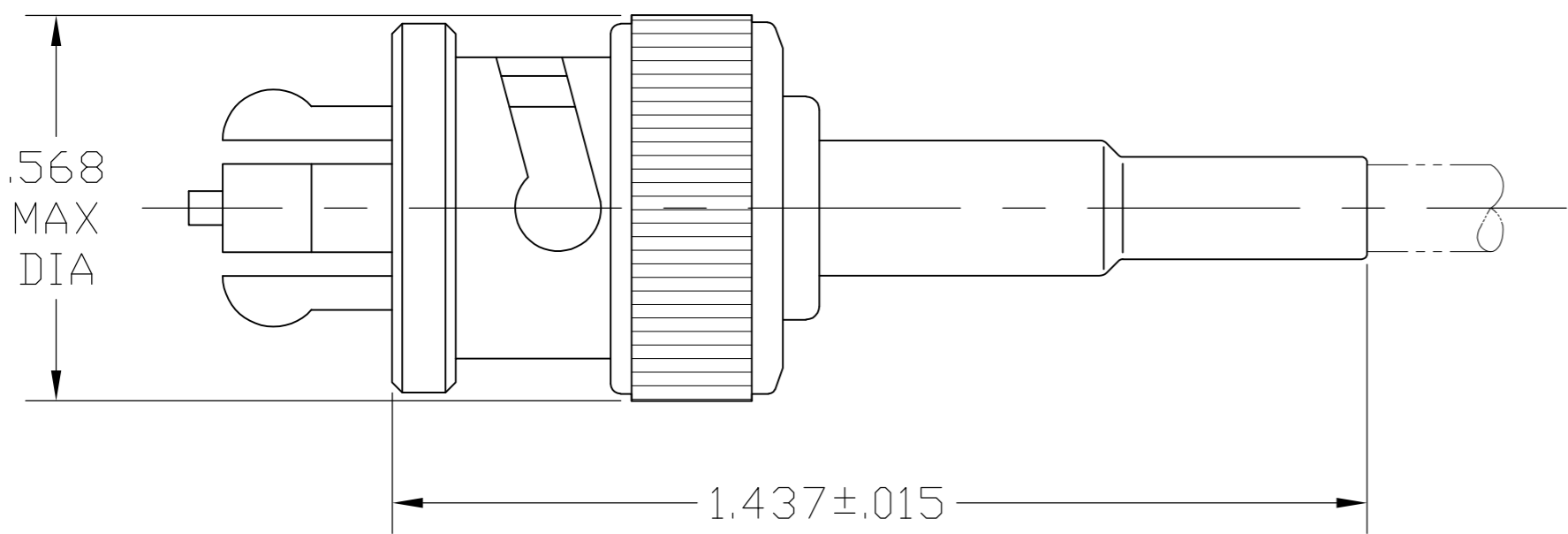
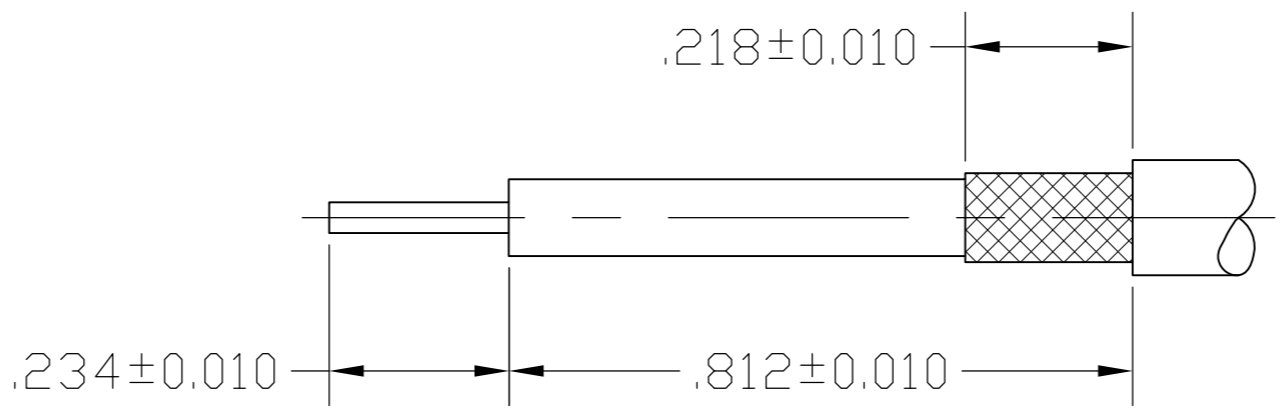


THIS DRAWING IS UNPUBLISHED. RELEASED FOR PUBLICATION  
 © COPYRIGHT - By - ALL RIGHTS RESERVED.

LOC		DIST		REVISIONS					
AJ		16		P	LTR	DESCRIPTION	DATE	DWN	APVD
				P2		REVISED PER ECO-11-005030	11MAR11	RK	HMR



- 1. SEE INSTRUCTION SHEET 408-2187
- 2. OBSOLETE PARTS: OBSOLETE CIS STREAMLINING PER D.RENAUD/D.SINISI



RECOMMENDED STRIP LENGTH

2	OBSOLETE	RG-58A/U & RG-58C/U	-	220022-1	-	9-50427-1	51427-3	51437-3	9-51426-1
	OBSOLETE	RG-59/U, 59A/U, 59B/U, 62/U, 62A/U & 62B/U	-	220022-2	-	50428-1	51475-3	51437-2	<del>9-51426-0</del>
	OBSOLETE	SPECIAL CUSTOMER CABLE	-	-	-	2-329461-7	225418-3	51437-6	<del>1-51426-2</del>
	OBSOLETE	RG-59/U, 59A/U & 59B/U	-	-	-	50428-2	51475-3	51437-4	<del>1-51426-1</del>
		RG-174/U & RG-188/U	-	220009-1	21427-5	9-328666-0	225418-3	51437-6	51426-8
	OBSOLETE	RG-174/U & RG-188/U	.506	220009-1	21427-5	2-328666-3	225418-3	51437-5	<del>51426-7</del>
	OBSOLETE	RG-58A/U & RG-58C/U	-	220022-2	-	1-328460-1	51475-3	51437-4	<del>51426-6</del>
		RG-59/U, 59A/U, 59B/U, 62/U, 62A/U & 62B/U	.496	220022-2	-	9-50428-0	51475-3	51437-4	51426-5
		RG-58A/U & RG-58C/U	.512	220022-1	-	9-50427-1	51427-3	51437-3	51426-4
	OBSOLETE	RG-71/U	-	220022-2	-	329460	51475-3	51437-2	<del>51426-3</del>
		RG-59/U, 59A/U, 59B/U, 62/U, 62A/U & 62B/U	-	220022-2	-	50428-1	51475-3	51437-2	51426-2
		RG-58A/U & RG-58C/U	.458	220022-1	-	50427-1	51427-3	51437-1	51426-1
		CABLE SIZE	WEIGHT (OZ)	CRIMP TOOL	4 BUSHING QTY=1	3 FERRULE QTY=1	2 CONTACT QTY=1	1 PLUG ASSY QTY=1	PART NUMBER

THIS DRAWING IS A CONTROLLED DOCUMENT.

DWN: R. SAMICK 25SEP03  
 CHK: G. MICHAEL 25SEP03  
 APVD: G. MICHAEL 25SEP03

**TE** TE Connectivity

CONNECTOR, COAXIAL, PLUG, SERIES SHV

SIZE: A2 CAGE CODE: 00779 DRAWING NO: 51426 RESTRICTED TO: -

SCALE: 4:1 SHEET: 1 of 1 REV: P2

# Mouser Electronics

Authorized Distributor

Click to View Pricing, Inventory, Delivery & Lifecycle Information:

[TE Connectivity:](#)

[51426-1](#)