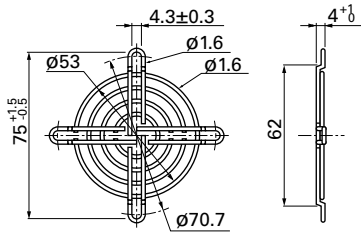


60 mm sq. type

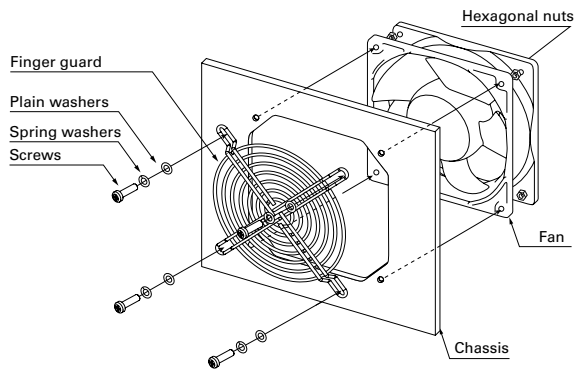
| Model no. | Surface treatment | Mass (g) |
|-----------|--------------------------------|----------|
| 109-139E | Nickel-chrome plating (silver) | 14.5 |
| 109-139H | Cation electropainting (black) | |

Inlet side, Outlet side



Mounting example

Axial fan



Mouser Electronics

Authorized Distributor

Click to View Pricing, Inventory, Delivery & Lifecycle Information:

[Sanyo Denki:](#)

[109-139E](#) [109-139H](#)