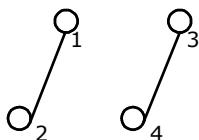


RECOMMENDED PANEL MOUNTING

PANEL THICKNESS	X
0.75-1.25	19.2 - 19.4
1.25-2.00	19.4 - 19.6
2.00-3.00	19.9

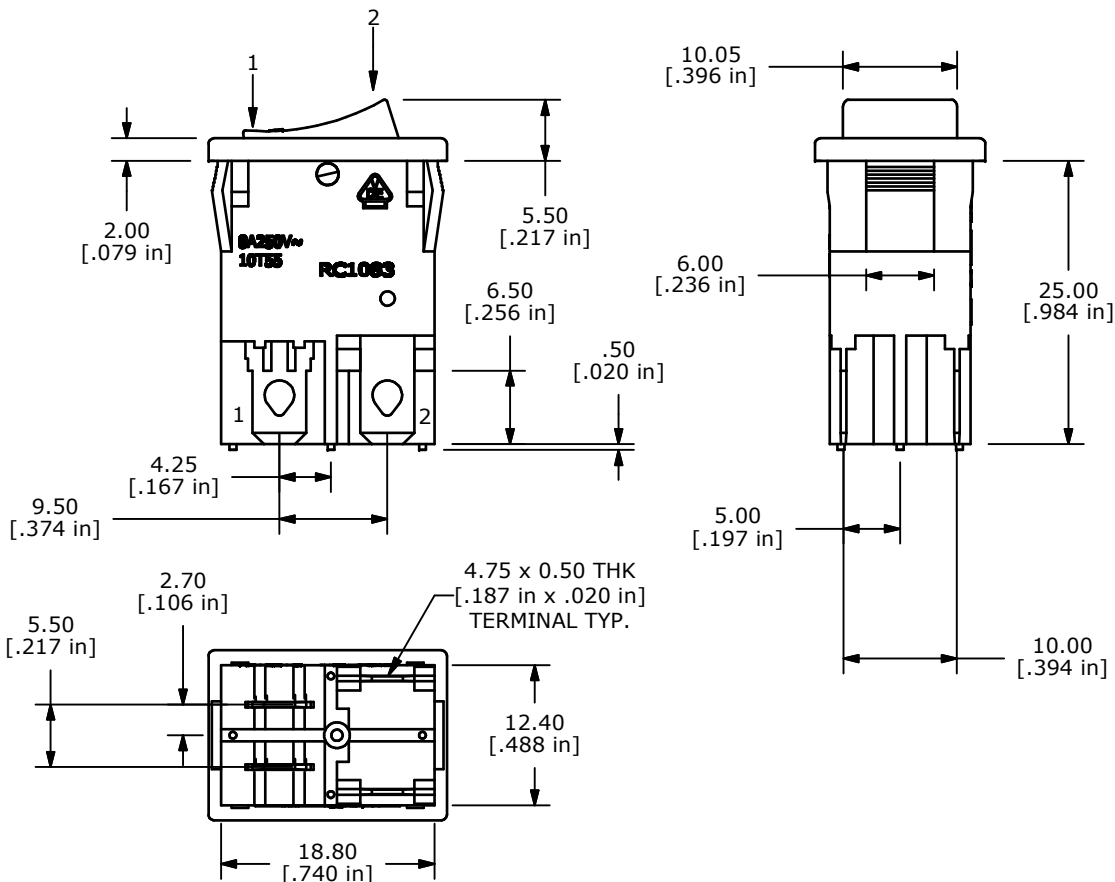
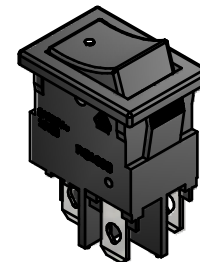
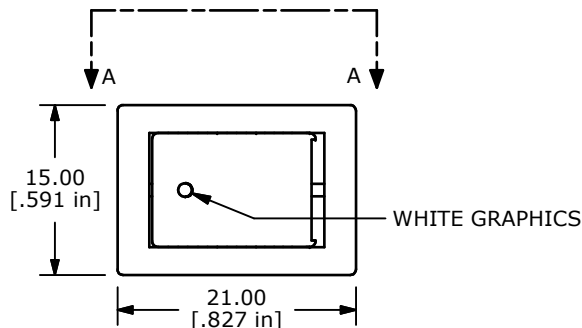
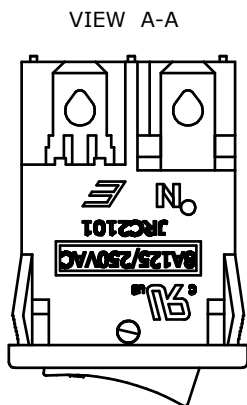
SWITCH FUNCTION	
POS. 1	POS. 2
ON	OFF
1-2, 3-4	OPEN



CIRCUIT: DPST

NOTES:

1. ALL DIMENSIONS IN MM [INCH]
2. GENERAL TOLERANCE: X.XX=±0.4
X.XX=±0.25
3. TERM. NOS. FOR REF. ONLY
- ▲ 4. RATING: AC 125V 8A;
AC 250V 8A
5. LAMP VOLTAGE: NO LAMP
6. MECHANICAL LIFE: 15,000 CYCLES
7. ELECTRICAL LIFE: 10,000 CYCLES
8. CONTACT RESISTANCE: <20 MILLI-OHMS INITIAL
9. DIELECTRIC STRENGTH: >1,500V AC 1 MIN
10. INSULATION RESISTANCE: 1,000 MEGA-OHMS
11. ▲ DENOTES CRITICAL PARAMETER.
12. 2002/95/EC (ROHS) COMPLIANT



E	19241	ADD VIEW A-A (BACK)	8/10/10	BLR
D	19131	RATING CHANGES, MARKINGS	6/18/10	BLR
REV	PCR NO	DESCRIPTION	DATE	BY

THE INFORMATION CONTAINED IN THIS DOCUMENT IS PROPRIETARY TO E-SWITCH AND IS NOT TO BE COPIED OR TRANSFERRED



TITLE RC1083BBLKBLKAF

SCALE	DATE	DR	DWG	REV
1.5:1	8/10/2010	BLR	P301501	E

Mouser Electronics

Authorized Distributor

Click to View Pricing, Inventory, Delivery & Lifecycle Information:

[E-Switch:](#)

[RC1083BBLKBLKAF](#)