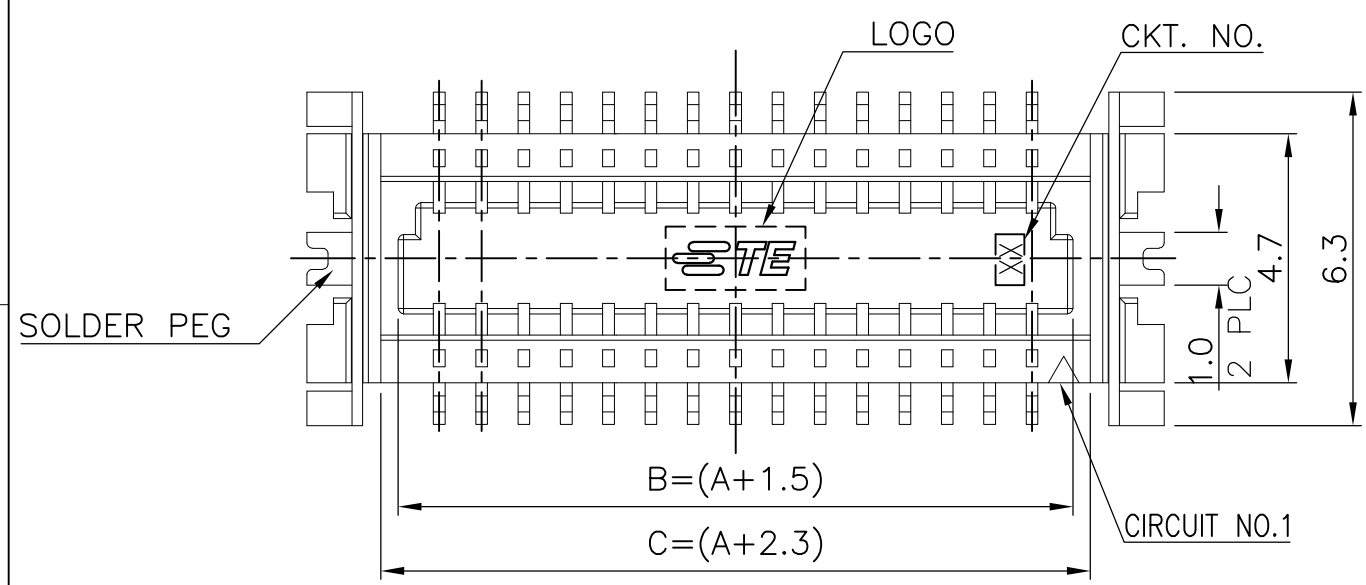


THIS DRAWING IS UNPUBLISHED. RELEASED FOR PUBLICATION
 © COPYRIGHT - By - ALL RIGHTS RESERVED.

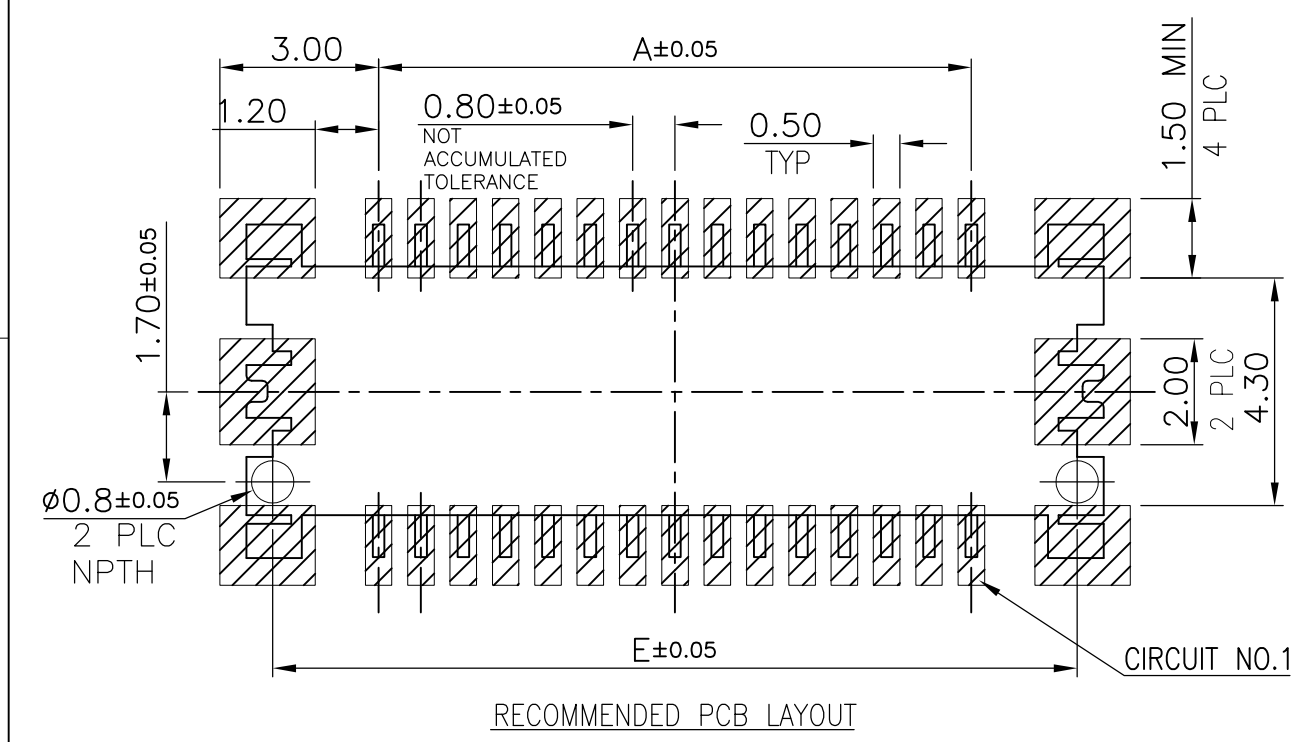
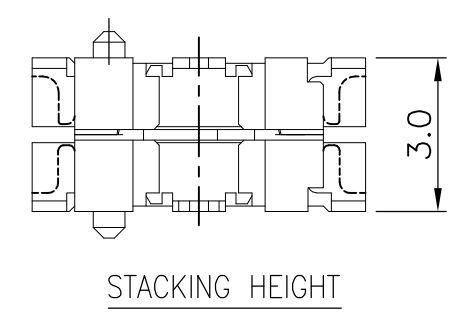
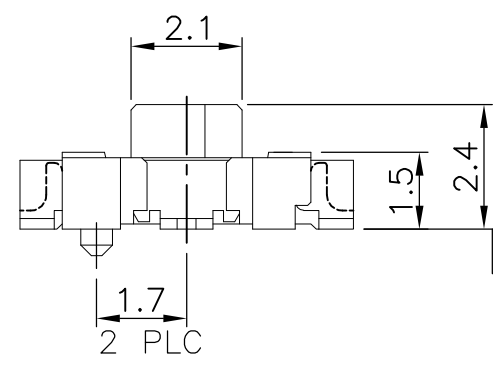
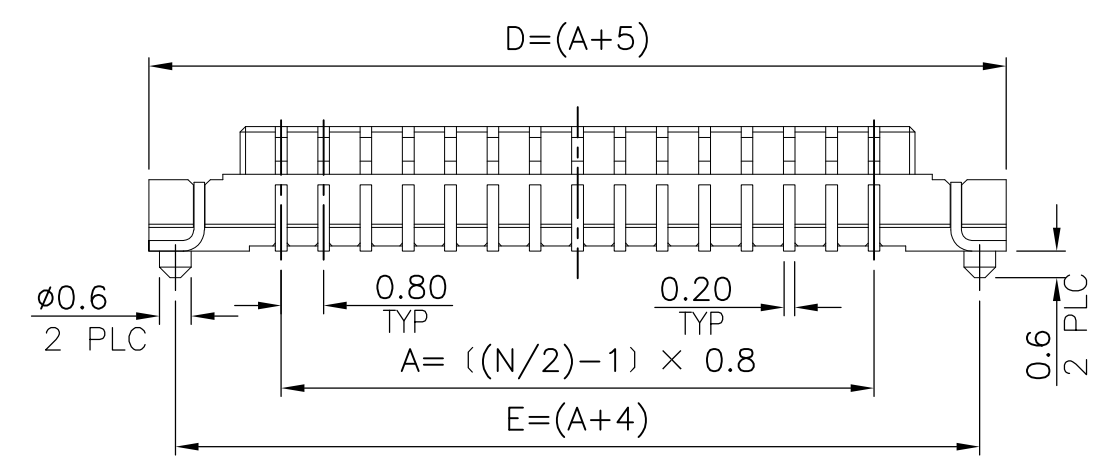
REVISIONS				
P	LTR	DESCRIPTION	DATE	APVD
	H	ECR-16-006855	18MAY2016	WL SY



- NOTES:
- MATERIAL:
 - HOUSING: PA6T, UL94V-0; COLOR: NATURAL.
 - CONTACTS: PHOSPHOR BRONZE.
 - PEGS: BRASS.
 - FINISH:

CONTACTS:
 GOLD FLASH ON ENTIRE CONTACT.
 (WITH ENTIRE CONTACT UNDERPLATED 50μ" MIN. NICKEL.)

PEGS: 100μ" MIN. MATTE-TIN OVER 50μ" MIN. NICKEL UNDERPLATED.
 - PART NUMBER OF MATING PLUG:
 MATING HEIGHT :
 3MM : X-1775014-X
 5MM : X-1775015-X
 5.5MM : X-1775149-X
 - REFLOW SOLDER CAPABLE TO 260°C PER
 TEC-109-201, CONDITION B.
 - SUBSTANCE RESTRICTIONS FOR LOW HALOGEN (BY WEIGHT):
 BROMINE (Br) ≤ 900 PPM (0.09%)
 CHLORINE (Cl) ≤ 900 PPM (0.09%)
 TOTAL CONCENTRATION OF (Cl) + (Br) ≤ 1500 PPM (0.15%)



12.8	13.8	11.1	10.3	8.8	24	1775013-2
E	D	C	B	A	NO. OF CONTACTS	PART NUMBER
DIMENSIONS						

THIS DRAWING IS A CONTROLLED DOCUMENT.

DWN A. WU	19JUL2004	 TE Connectivity BOARD-TO-BOARD CONNECTOR, 0.8mm PITCH, FINE-STACK RECEPTACLE	SIZE	CAGE CODE	DRAWING NO	RESTRICTED TO
CHK S. HOU	19JUL2004		NAME			
APVD T. KE	19JUL2004		PRODUCT SPEC			
			APPLICATION SPEC			
DIMENSIONS: mm		TOLERANCES UNLESS OTHERWISE SPECIFIED: 0 PLC ± - 1 PLC ± 0.3 2 PLC ± 0.2 3 PLC ± 0.15 4 PLC ± - ANGLES ± 2°		108-57488		
MATERIAL	FINISH	WEIGHT	0	A300779	C-1775013	
CUSTOMER DRAWING			SCALE	7:1	SHEET	1 OF 2
			REV	H		

THIS DRAWING IS UNPUBLISHED.

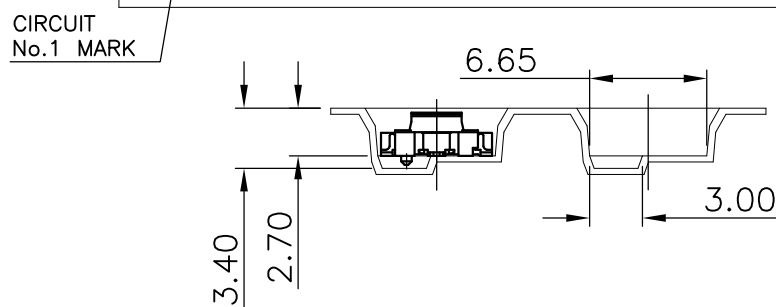
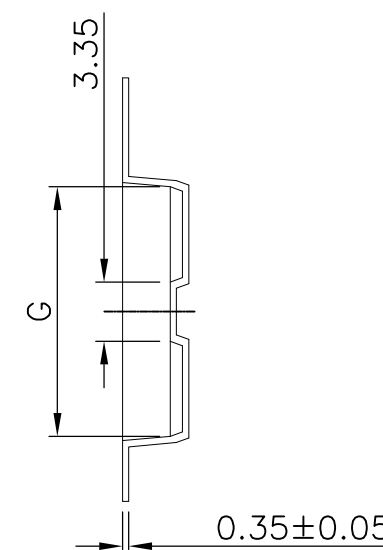
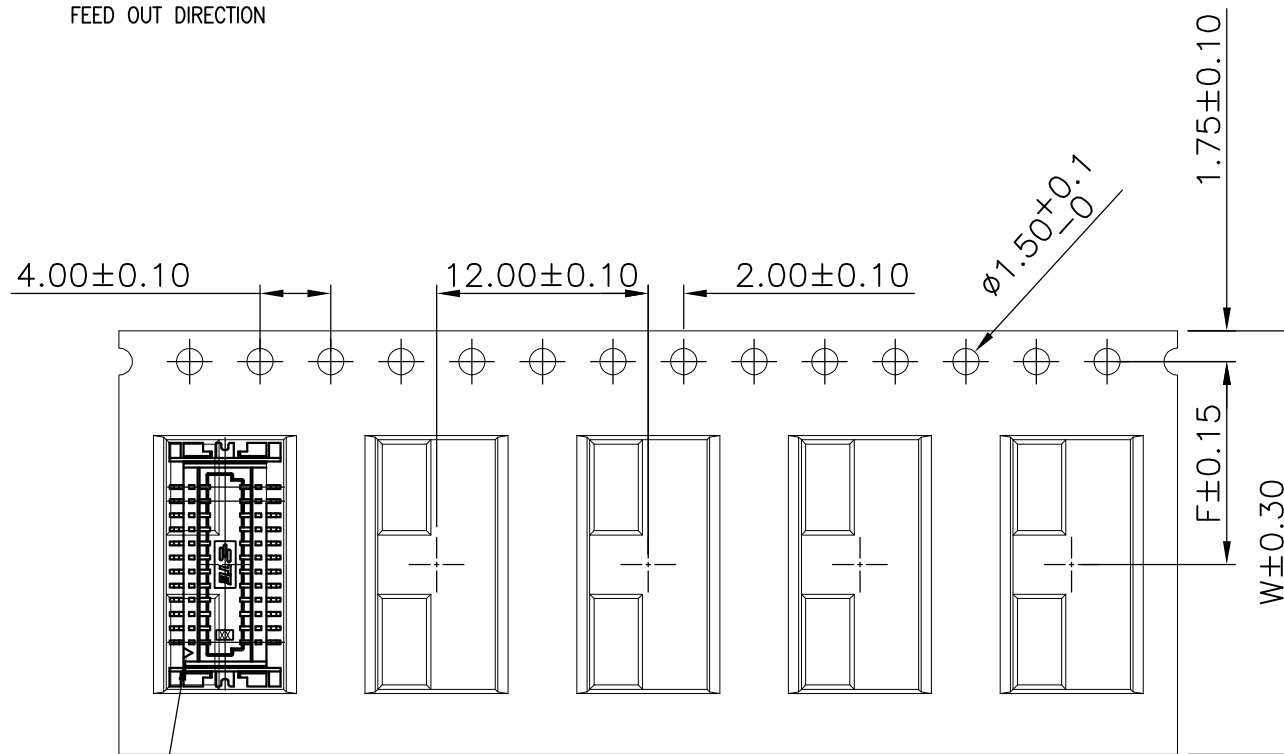
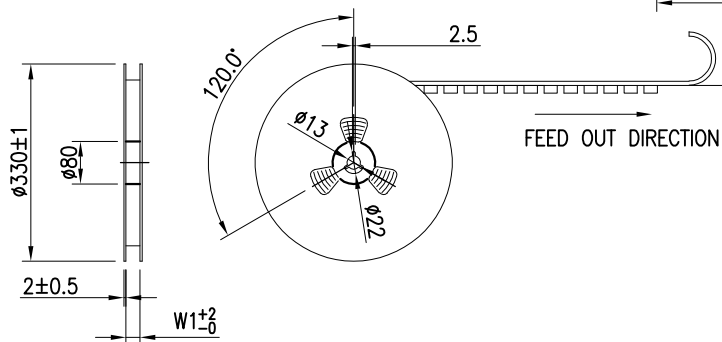
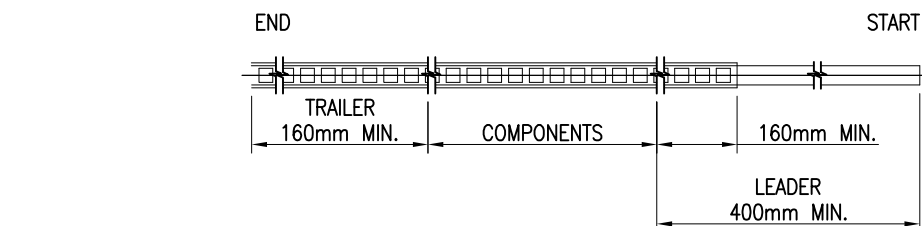
RELEASED FOR PUBLICATION

REVISIONS

© COPYRIGHT - By -

ALL RIGHTS RESERVED.

P	LTR	DESCRIPTION	DATE	DWN	APVD
-	-	SEE SHEET 1	-	-	-



NOTES:

- MATERIAL:
 BOX: FIBREBOARD, CORRUGATED, DOUBLE WALL.
 COVER TAPE: PET, TRANSPARENT COLOR.
 CARRIER TAPE: POLYSTYRENES, BLACK COLOR.
 REEL: PAPER, BROWN COLOR.
 BAG: POLYETHYLENES, TRANSPARENT COLOR.
- EACH BAG SHALL BE INCLUDED DESICCANT.
- PEELING STRENGTH: 0.1~1.3 N (10~130 GRAMS).
- PEELING SPEED: 300 mm/min.

1500	24.40	24.00	14.15	11.50	24
PCS / TAPE	W1	W	G	F	NO. OF CONTACTS
DIMENSIONS					

THIS DRAWING IS A CONTROLLED DOCUMENT.		DWN A. WU 19JUL2004	STE TE Connectivity											
DIMENSIONS: mm		CHK S. HOU 19JUL2004												
TOLERANCES UNLESS OTHERWISE SPECIFIED:		APVD T. KE 19JUL2004												
<table border="0"> <tr> <td>0 PLC</td><td>± -</td> </tr> <tr> <td>1 PLC</td><td>± 0.3</td> </tr> <tr> <td>2 PLC</td><td>± 0.2</td> </tr> <tr> <td>3 PLC</td><td>± 0.15</td> </tr> <tr> <td>4 PLC</td><td>± -</td> </tr> <tr> <td>ANGLES</td><td>± 2'</td> </tr> </table>		0 PLC				± -	1 PLC	± 0.3	2 PLC	± 0.2	3 PLC	± 0.15	4 PLC	± -
0 PLC	± -													
1 PLC	± 0.3													
2 PLC	± 0.2													
3 PLC	± 0.15													
4 PLC	± -													
ANGLES	± 2'													
MATERIAL		PRODUCT SPEC 108-57488	BOARD-TO-BOARD CONNECTOR, 0.8mm PITCH, FINE-STACK RECEPTACLE											
FINISH		APPLICATION SPEC												
-		WEIGHT 0	SIZE A3	CAGE CODE 00779	DRAWING NO C-1775013									
CUSTOMER DRAWING			RESTRICTED TO	SCALE 7:1	SHEET 2 OF 2									
			REV H											

Mouser Electronics

Authorized Distributor

Click to View Pricing, Inventory, Delivery & Lifecycle Information:

[TE Connectivity:](#)

[1775013-2](#)