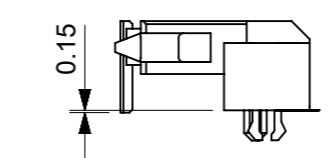
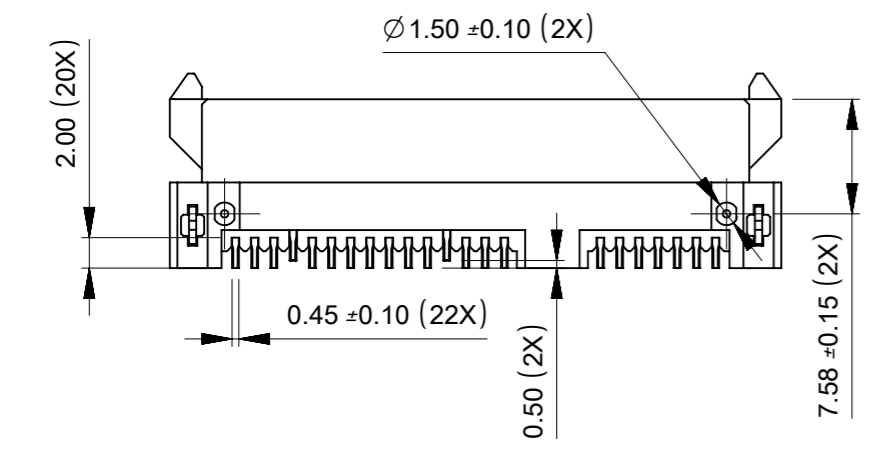
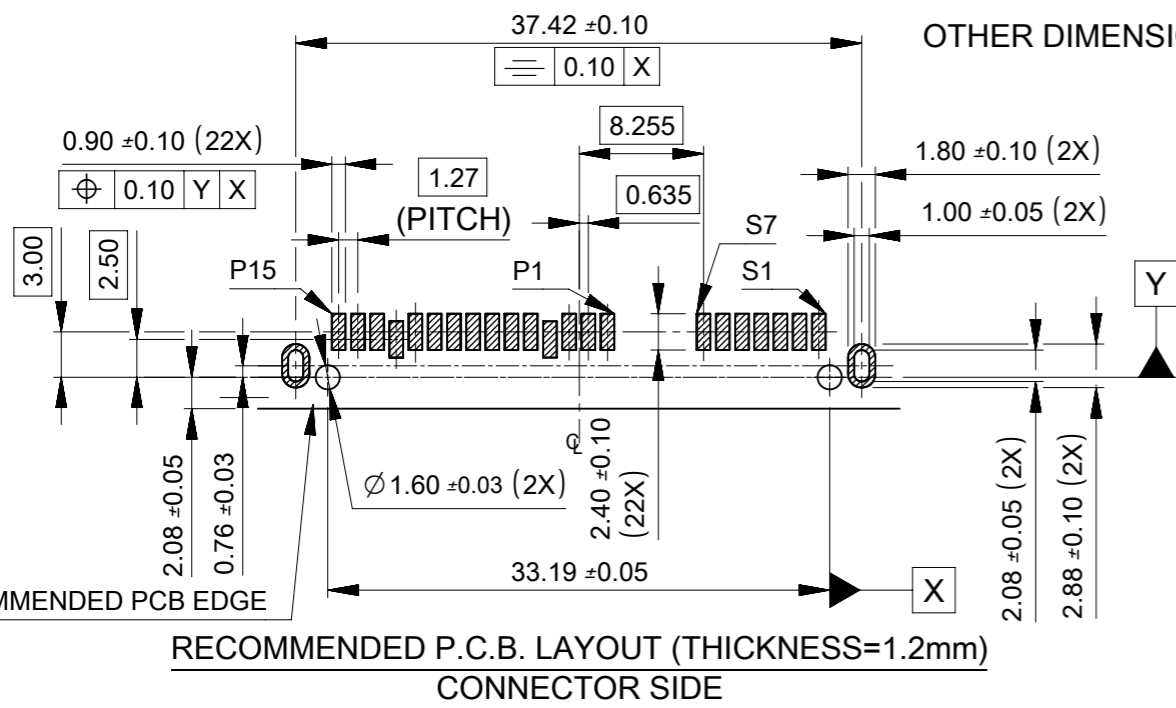


67492-1430/1431/1432
 /1326/1327
 /1440/1442
 /1224/1225
 /1450/1451/1452.



67492-1430/1431/1432
 /1326/1327
 /1440/1442
 /1224/1225
 /1450/1451/1452.

- NOTES:**
- MATERIAL:**
 HOUSING: HIGH TEMPERATURE THERMAL PLASTIC, UL94V-0, COLOR: BLACK;
 TERMINAL: COPPER ALLOY;
 FORKLOCK: COPPER ALLOY.
 - TERMINAL PLATING:**
 CONTACT AREA:
 (A) GOLD FLASH(0.025 MICRONS MINIMUM);
 (B) GOLD, THICKNESS=0.76 MICRONS MINIMUM;
 (C) GOLD, THICKNESS=0.38 MICRONS MINIMUM;
 SOLDER AREA: MATTE TIN, THICKNESS=1.27 MICRONS MINIMUM;
 UNDER PLATE: NICKEL, THICKNESS=1.27 MICRONS MINIMUM.
 - FORKLOCK PLATING:**
 SOLDER AREA: MATTE TIN, THICKNESS=1.27 MICRONS MINIMUM;
 UNDER PLATE: NICKEL, THICKNESS=1.27 MICRONS MINIMUM.
 - PRODUCT SPECIFICATION:** REFER TO PS-67492-001.
 - PACKAGING METHOD:** TRAY, USE DRYER IN HDPE BAGE TO PREVENT BLISTER.
 - MATING PARTS:** 87703/87672.
 - PRODUCT COMPLIANT TO** RoSH DIRECTIVE 2002/95/EC AND ELV DIRECTIVE 2000/53/EC.



OTHER DIMENSION PER OTHER VIEW

THIS DRAWING CONTAINS INFORMATION THAT IS PROPRIETARY TO MOLEX ELECTRONIC TECHNOLOGIES, LLC AND SHOULD NOT BE USED WITHOUT WRITTEN PERMISSION		CURRENT REV DESC:		molex	
DIMENSION UNITS: mm		SCALE: 2:1			
GENERAL TOLERANCES (UNLESS SPECIFIED)		EC NO: 620216		SATA HOST RECEPTACLE R/A SMT TYPE	
4 PLACES ±		DRWN: AKUMAR19 2019/02/11		DOCUMENT NUMBER: SD-67492-001	
3 PLACES ±		CHK'D: GGA 2019/07/09		DOC TYPE: PSD	
2 PLACES ± 0.15		APPR: GGA 2019/07/09		DOC PART: 001	
1 PLACE ± 0.25		INITIAL REVISION:		REVISION: N	
0 PLACES ±		DRWN: GRATE MA 2003/10/10		SERIES: 67492	
ANGULAR TOL ± 3.0°		APPR: SAM 2003/10/10		MATERIAL NUMBER: SEE TABLE	
DRAFT WHERE APPLICABLE MUST REMAIN WITHIN DIMENSIONS		THIRD ANGLE PROJECTION		CUSTOMER: GENERAL MARKET	
DRAWING: A3-SIZE		SHEET NUMBER: 1 OF 2		DATE: 2018/01/11	

F
E
D
C
B
A

P/N	PLATING	DIM'A'	DIM'B'	DIM'C'	DIM'D'	DIM'E'	REMARK
67492-1421	NOTES 2 (B)	4.15	5.90	4.25	5.90	2.45±0.10	TRAY PACKAGE PK-67492-001
67492-1422	NOTES 2 (C)						
67492-1320	NOTES 2 (A)	3.50	5.25	3.60	5.25	2.45±0.10	
67492-1321	NOTES 2 (B)						
67492-1120	NOTES 2 (A)	1.80	3.55	1.90	3.55	2.45±0.10	
67492-1121	NOTES 2 (B)						
67492-9220	NOTES 2 (A)	4.99	6.74	5.09	6.74	2.45±0.10	
67492-9221	NOTES 2 (B)						
67492-9222	NOTES 2 (C)						
67492-1220	NOTES 2 (A)	4.99	6.74	5.09	6.74	2.45±0.10	TAPE&REEL PACKAGE PK-67492-002
67492-1221	NOTES 2 (B)						
67492-1222	NOTES 2 (C)						
67492-1224	NOTES 2 (A)	4.99	6.74	5.09	6.74	2.33±0.05	TAPE&REEL PACKAGE WITH CAP PK-67492-002
67492-1225	NOTES 2 (B)						
67492-1430	NOTES 2 (A)	4.15	5.90	4.25	5.90	2.45±0.10	TAPE&REEL PACKAGE WITH CAP PK-67492-008
67492-1431	NOTES 2 (B)						
67492-1432	NOTES 2 (C)						
67492-1326	NOTES 2 (B)	3.50	5.25	3.60	5.25	2.45±0.10	
67492-1327	NOTES 2 (C)						
67492-1440	NOTES 2 (B)	4.15	5.90	4.25	5.90	2.33±0.05	
67492-1442	NOTES 2 (C)						
67492-1450	NOTES 2 (A)	4.10	5.85	4.20	5.85	2.33±0.05	
67492-1451	NOTES 2 (B)						
67492-1452	NOTES 2 (C)						

THIS DRAWING CONTAINS INFORMATION THAT IS PROPRIETARY TO MOLEX ELECTRONIC TECHNOLOGIES, LLC AND SHOULD NOT BE USED WITHOUT WRITTEN PERMISSION									
DIMENSION UNITS		SCALE		CURRENT REV DESC:				molex	
mm		1:1							
GENERAL TOLERANCES (UNLESS SPECIFIED)				EC NO: 620216 DRWN: AKUMAR19 2019/02/11 CHK'D: GGA 2019/07/09 APPR: GGA 2019/07/09				SATA HOST RECEPTACLE R/A SMT TYPE	
		MM	INCH						
4 PLACES	±		±	INITIAL REVISION: DRWN: GRATE MA 2003/10/10 APPR: SAM 2003/10/10				DOCUMENT NUMBER	
3 PLACES	±		±					SD-67492-001	
2 PLACES	±	0.15	±	MATERIAL NUMBER				CUSTOMER	
1 PLACE	±	0.25	±					SEE TABLE	
0 PLACES	±		±	A3-SIZE		67492		2 OF 2	
ANGULAR TOL ± 3.0°			THIRD ANGLE PROJECTION		DRAWING		SERIES		MATERIAL NUMBER
DRAFT WHERE APPLICABLE MUST REMAIN WITHIN DIMENSIONS					A3-SIZE		67492		SEE TABLE