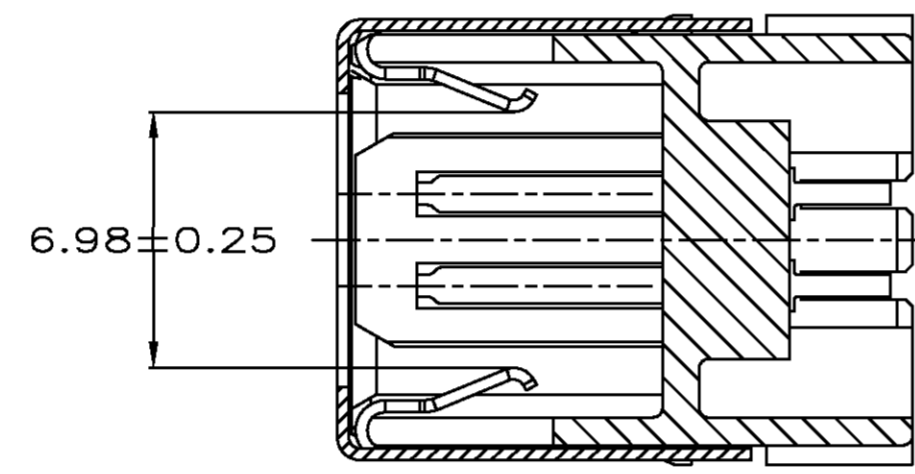
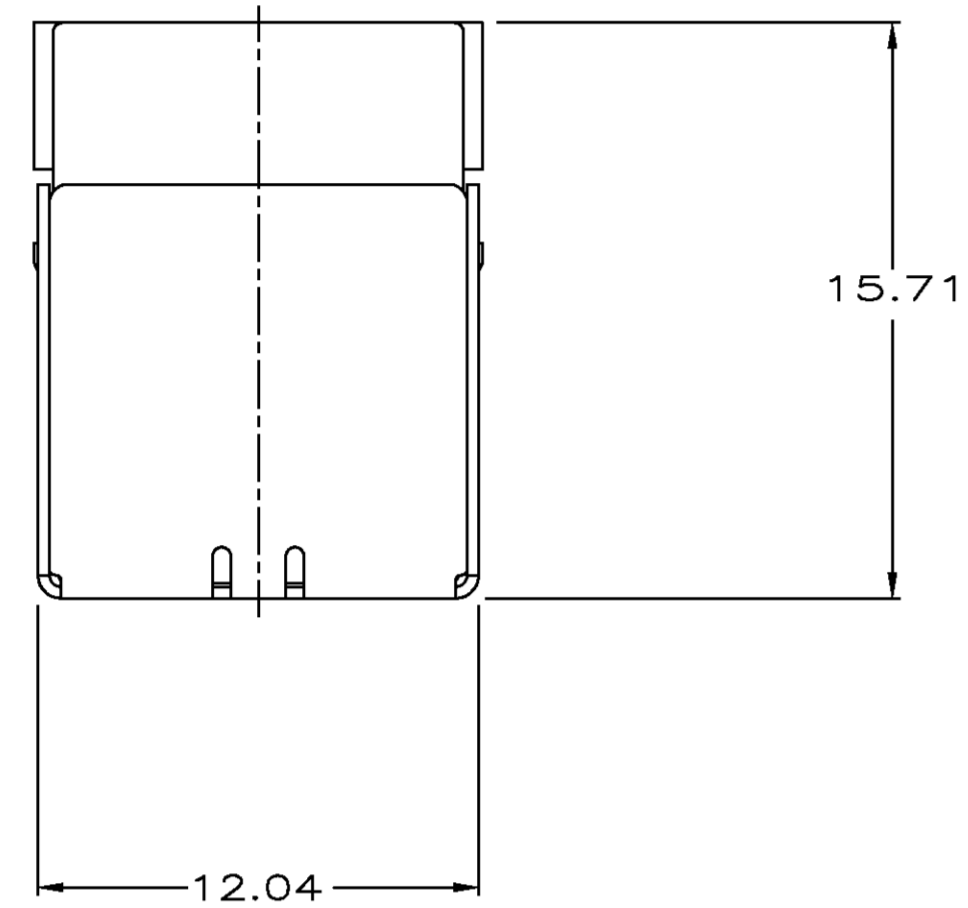
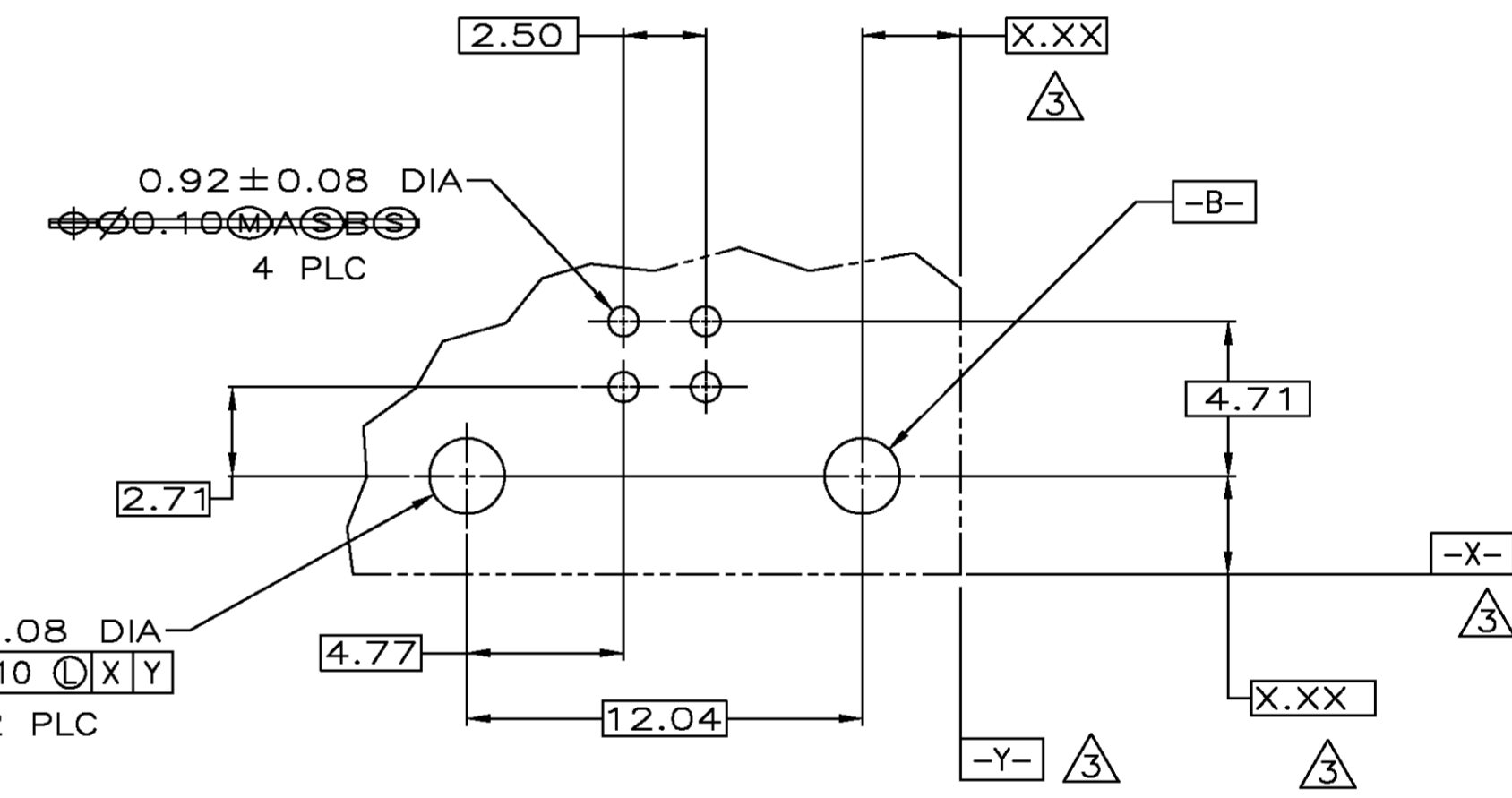


REV	DESCRIPTION	DATE	DWN	APPD
C1	REVISED ECR-08-009268	11APR08	A.Z	S.Y
C2	REVISED PER ECO-09-021826	27JAN2010	KK	HMR
C3	REVISED PER ECR-16-013723	26JUN17	TZ	HW

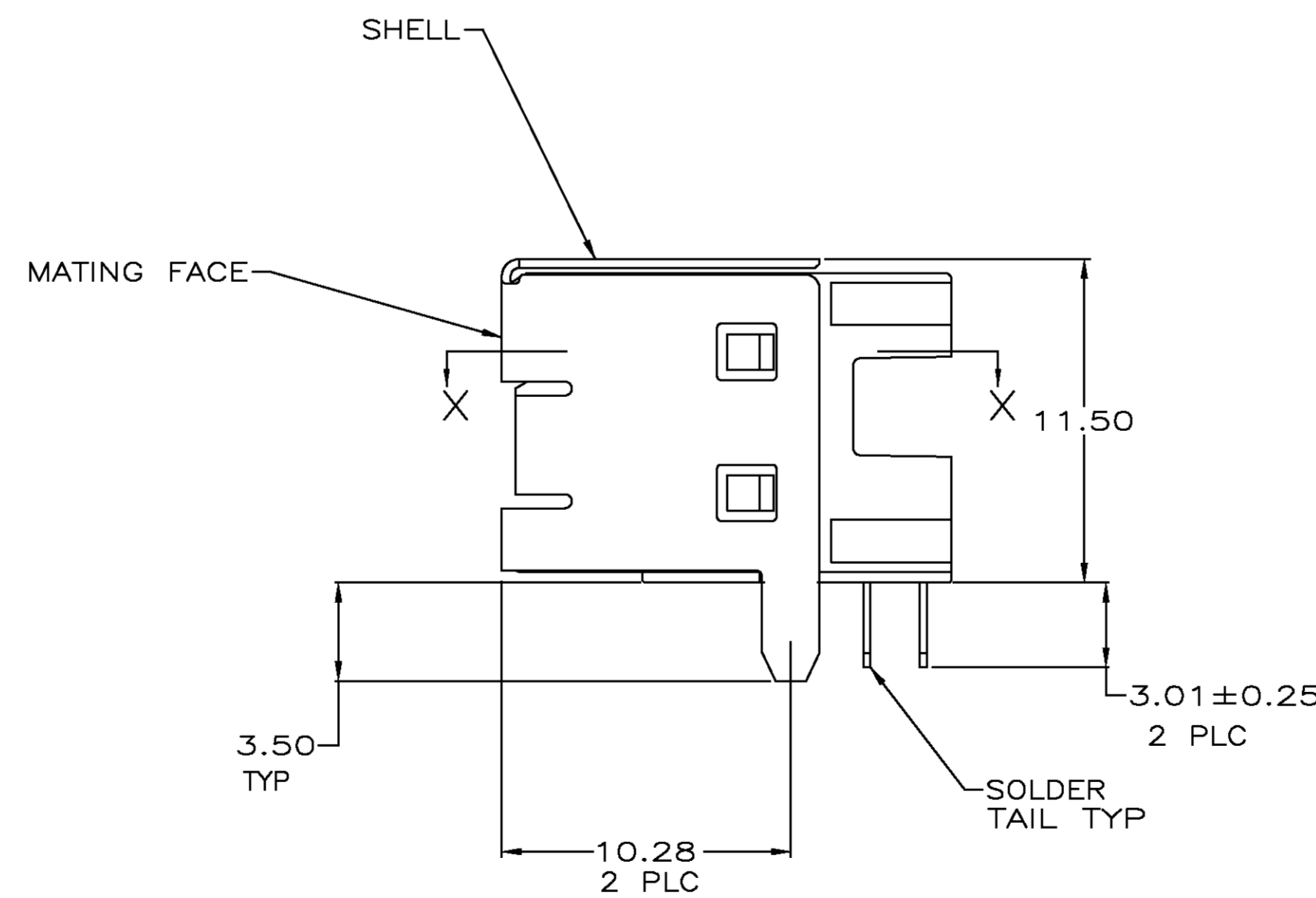
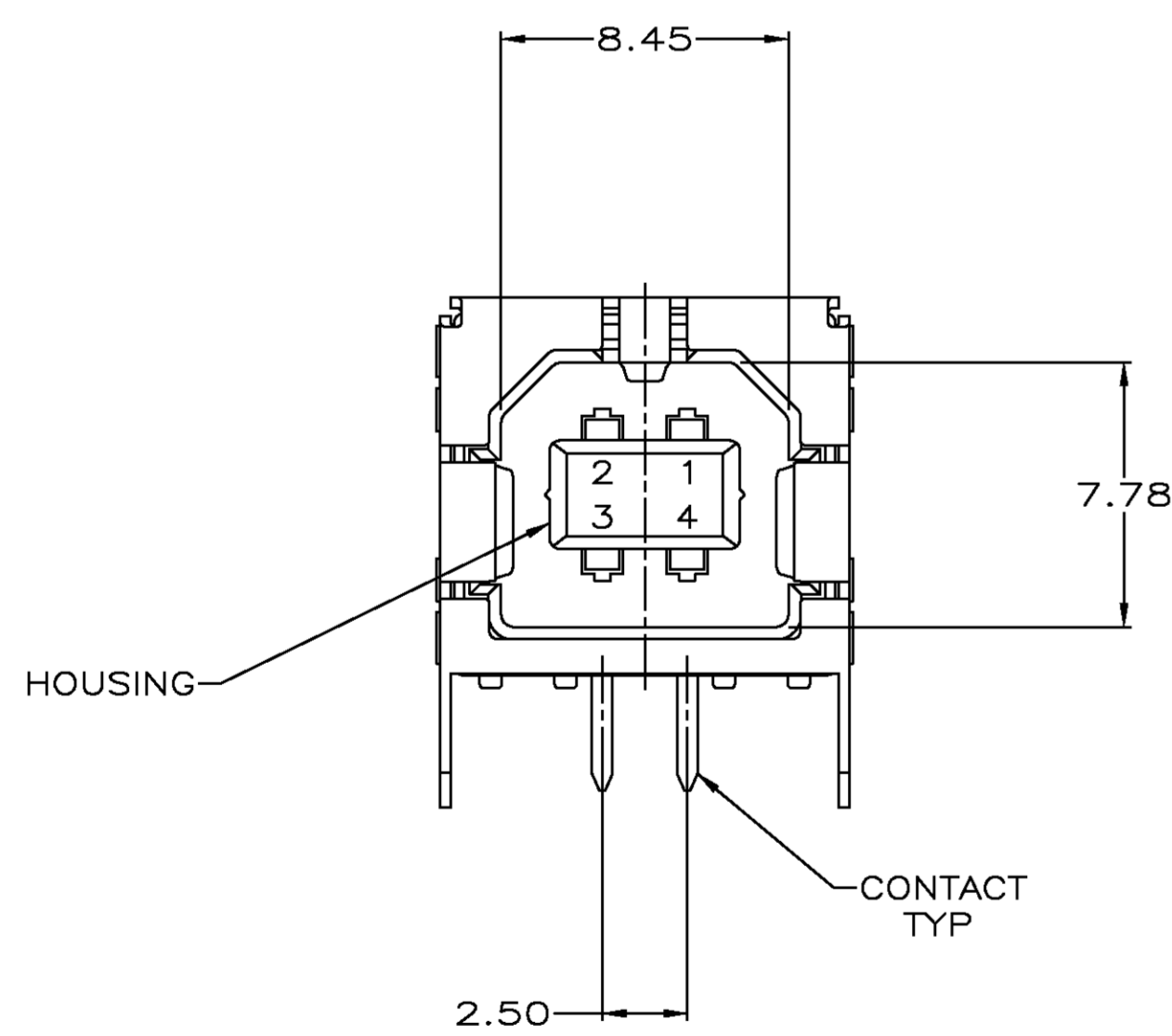
- △ CONTACTS: COPPER ALLOY.
- Ⓢ SHELL: STAINLESS STEEL.
- HOUSING: UL 94V-0 RATED THERMOPLASTIC, COLOR: SEE TABLE.
- △ CONTACTS: 0.076 μ m MINIMUM GOLD OVER
0.76 μ m MINIMUM PALLADIUM NICKEL ON MATING AREA.
3.80 μ m MINIMUM MATTE TIN ON SOLDER TAILS
ALL OVER 1.27 μ m MINIMUM NICKEL.
SHELL: 2~5 μ m MINIMUM BRIGHT TIN.
- △ DATUM AND BASIC DIMENSIONS ESTABLISHED BY CUSTOMER.
- △ RECOMMENDED PC BOARD THICKNESS 1.57.
- △ CONTACTS: 0.076 μ m MINIMUM GOLD OVER
0.76 μ m MINIMUM PALLADIUM NICKEL ON MATING AREA.
3.80 μ m MINIMUM MATTE TIN ON SOLDER TAILS
ALL OVER 1.27 μ m MINIMUM NICKEL.
SHELL: 1.27 μ m MINIMUM NICKEL ALL OVER, TIN DIPPED ON TAILS.
- 6 RECOMMEND:
MATING FORCE: 35N MAX.
UNMATING FORCE: 13N MIN.
RECOMMENDED MATING PLUG SHOULD MEET USB2.0 STANDARD.
- △ OBSOLETE PARTS: OBSOLETE CIS STREAMLINING PER D.RENAUD/D.SINISI



SECTION X-X



RECOMMENDED PC BOARD MOUNTING DIMENSIONS



△ OBSOLETE	YES	△	BLACK	292317-4
	NO	△	BLACK	292317-3
SUPERSEDED BY 292317-4	YES	△	BLACK	292317-1

HIGH TEMPERATURE COMPATIBLE		FINISH	HOUSING COLOR	PART NUMBER
SEE TABLE		SEE TABLE	SEE TABLE	292317

DIMENSIONS: mm		TOLERANCES UNLESS OTHERWISE SPECIFIED:		DWN: J. JIANG 20FEB04		DRW: S. YAO 20FEB04		APVD: T. SASAKI 20FEB04		NAME: RECEPTACLE ASSEMBLY, RIGHT ANGLE, 4 POSTIONS THRU-HOLE, TYPE B, UNIVERSAL SERIAL BUS LEAD FREE VERSION	
0 PLC ± -		1 PLC ± -		2 PLC ± 0.10		3 PLC ± -		4 PLC ± -		SIZE: A1	
MATERIAL: △		FINISH: SEE TABLE		WEIGHT: -		CUSTOMER DRAWING		SCALE: 5:1		SHEET 1 OF 1 REV C3	

Mouser Electronics

Authorized Distributor

Click to View Pricing, Inventory, Delivery & Lifecycle Information:

[TE Connectivity:](#)

[292317-4](#)