

4

3

2

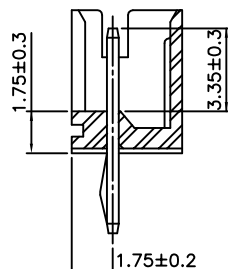
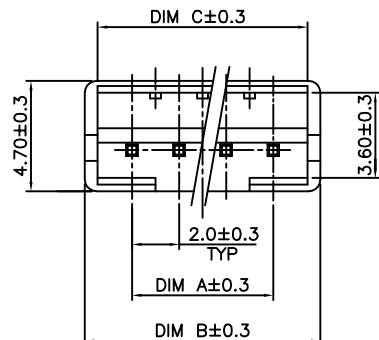
1

THIS DRAWING IS UNPUBLISHED. RELEASED FOR PUBLICATION AUG 2006 .
 © COPYRIGHT 2009 BY TYCO ELECTRONICS CORPORATION. ALL RIGHTS RESERVED.

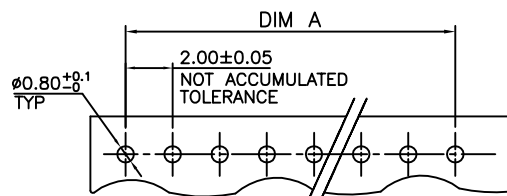
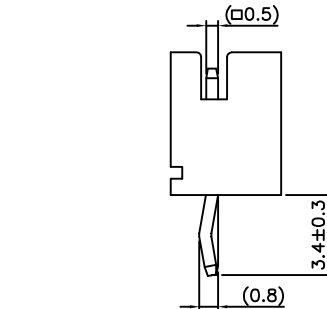
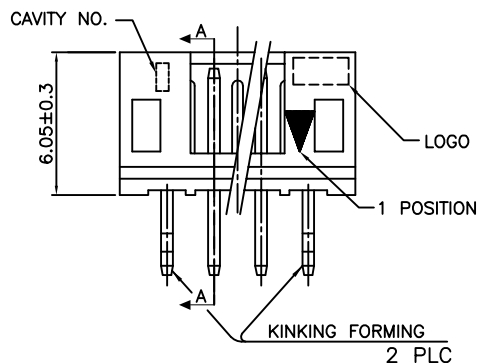
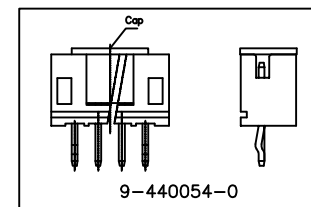
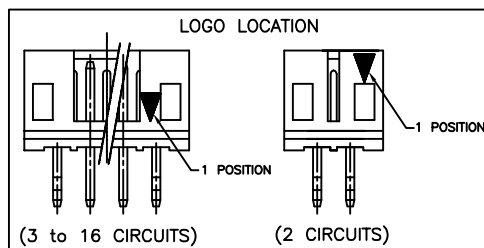
| LOC | DIST | REVISIONS | | | |
|-----|------|-------------|-----------------------|---------|---------|
| P | LTR | DESCRIPTION | DATE | DWN | APVD |
| DW | | E6 | REVISED ECR-17-002168 | 17DEC16 | J.J W.H |

NOTES:

- MATERIAL:
HOUSING: NYLON 66, UL94V-0, COLOR: SEE TABLE.
CONTACT: BRASS, THICKNESS=0.50mm.
- FINISH:
2.03um[80u"] MIN. BRIGHT-TIN PLATING ON CONTACT.
1.27um[50u"] MIN. NICKEL ENTIRE CONTACT UNDERPLATED.
- WAVE SOLDER CAPABLE TO 265°C PER TEST SPEC.
109-202, CONDITION B.
- RAISED TYPE PN: 9-440054-2



SEC. A-A



RECOMMENDED PCB LAYOUT (PCB THK=1.0~1.6)

| PACKAGE | COLOR | DIM C | DIM B | DIM A | POS | PART NUMBER |
|-----------|---------------|-------|-------|-------|-----|-------------|
| OBSOLETE | RED | 10.90 | 12.00 | 8.00 | 5P | 6-440054-9 |
| OBSOLETE | RED | 8.90 | 10.00 | 6.00 | 4P | 6-440054-8 |
| OBSOLETE | RED | 6.90 | 8.00 | 4.00 | 3P | 6-440054-7 |
| OBSOLETE | RED | 4.90 | 6.00 | 2.00 | 2P | 6-440054-6 |
| OBSOLETE | BLACK | 10.90 | 12.00 | 8.00 | 5P | 6-440054-9 |
| OBSOLETE | BLACK | 8.90 | 10.00 | 6.00 | 4P | 6-440054-8 |
| OBSOLETE | BLACK | 6.90 | 8.00 | 4.00 | 3P | 6-440054-7 |
| OBSOLETE | BLACK | 4.90 | 6.00 | 2.00 | 2P | 6-440054-6 |
| OBSOLETE | YELLOW | 10.90 | 12.00 | 8.00 | 5P | 4-440054-9 |
| OBSOLETE | YELLOW | 8.90 | 10.00 | 6.00 | 4P | 4-440054-8 |
| OBSOLETE | YELLOW | 6.90 | 8.00 | 4.00 | 3P | 4-440054-7 |
| OBSOLETE | YELLOW | 4.90 | 6.00 | 2.00 | 2P | 4-440054-6 |
| OBSOLETE | BLUE | 10.90 | 12.00 | 8.00 | 5P | 2-440054-9 |
| OBSOLETE | BLUE | 8.90 | 10.00 | 6.00 | 4P | 2-440054-8 |
| OBSOLETE | BLUE | 6.90 | 8.00 | 4.00 | 3P | 2-440054-7 |
| OBSOLETE | BLUE | 4.90 | 6.00 | 2.00 | 2P | 2-440054-6 |
| OBSOLETE | NATURAL WHITE | 32.90 | 34.00 | 30.00 | 16P | 5-440054-6 |
| OBSOLETE | NATURAL WHITE | 30.90 | 32.00 | 28.00 | 15P | 5-440054-5 |
| OBSOLETE | NATURAL WHITE | 28.90 | 30.00 | 26.00 | 14P | 5-440054-4 |
| OBSOLETE | NATURAL WHITE | 26.90 | 28.00 | 24.00 | 13P | 5-440054-3 |
| OBSOLETE | NATURAL WHITE | 24.90 | 26.00 | 22.00 | 12P | 5-440054-2 |
| OBSOLETE | NATURAL WHITE | 22.90 | 24.00 | 20.00 | 11P | 5-440054-1 |
| OBSOLETE | NATURAL WHITE | 20.90 | 22.00 | 18.00 | 10P | 5-440054-0 |
| OBSOLETE | NATURAL WHITE | 18.90 | 20.00 | 16.00 | 9P | 440054-9 |
| OBSOLETE | NATURAL WHITE | 16.90 | 18.00 | 14.00 | 8P | 440054-8 |
| OBSOLETE | NATURAL WHITE | 14.90 | 16.00 | 12.00 | 7P | 440054-7 |
| OBSOLETE | NATURAL WHITE | 12.90 | 14.00 | 10.00 | 6P | 440054-6 |
| OBSOLETE | NATURAL WHITE | 10.90 | 12.00 | 8.00 | 5P | 440054-5 |
| OBSOLETE | NATURAL WHITE | 8.90 | 10.00 | 6.00 | 4P | 440054-4 |
| OBSOLETE | NATURAL WHITE | 6.90 | 8.00 | 4.00 | 3P | 440054-3 |
| OBSOLETE | NATURAL WHITE | 4.90 | 6.00 | 2.00 | 2P | 440054-2 |
| POLY BAG | RED | 10.90 | 12.00 | 8.00 | 5P | 6-440054-9 |
| POLY BAG | RED | 8.90 | 10.00 | 6.00 | 4P | 6-440054-8 |
| POLY BAG | RED | 6.90 | 8.00 | 4.00 | 3P | 6-440054-7 |
| POLY BAG | RED | 4.90 | 6.00 | 2.00 | 2P | 6-440054-6 |
| POLY BAG | BLACK | 10.90 | 12.00 | 8.00 | 5P | 6-440054-9 |
| POLY BAG | BLACK | 8.90 | 10.00 | 6.00 | 4P | 6-440054-8 |
| POLY BAG | BLACK | 6.90 | 8.00 | 4.00 | 3P | 6-440054-7 |
| POLY BAG | BLACK | 4.90 | 6.00 | 2.00 | 2P | 6-440054-6 |
| POLY BAG | YELLOW | 10.90 | 12.00 | 8.00 | 5P | 4-440054-9 |
| POLY BAG | YELLOW | 8.90 | 10.00 | 6.00 | 4P | 4-440054-8 |
| POLY BAG | YELLOW | 6.90 | 8.00 | 4.00 | 3P | 4-440054-7 |
| POLY BAG | YELLOW | 4.90 | 6.00 | 2.00 | 2P | 4-440054-6 |
| POLY BAG | BLUE | 10.90 | 12.00 | 8.00 | 5P | 2-440054-9 |
| POLY BAG | BLUE | 8.90 | 10.00 | 6.00 | 4P | 2-440054-8 |
| POLY BAG | BLUE | 6.90 | 8.00 | 4.00 | 3P | 2-440054-7 |
| POLY BAG | BLUE | 4.90 | 6.00 | 2.00 | 2P | 2-440054-6 |
| TAPE REEL | RED | 20.90 | 22.00 | 18.00 | 10P | 9-440054-0 |
| TAPE REEL | RED | 32.90 | 34.00 | 30.00 | 16P | 1-440054-6 |
| TAPE REEL | RED | 30.90 | 32.00 | 28.00 | 15P | 1-440054-5 |
| TAPE REEL | RED | 28.90 | 30.00 | 26.00 | 14P | 1-440054-4 |
| TAPE REEL | RED | 26.90 | 28.00 | 24.00 | 13P | 1-440054-3 |
| TAPE REEL | RED | 24.90 | 26.00 | 22.00 | 12P | 1-440054-2 |
| TAPE REEL | RED | 22.90 | 24.00 | 20.00 | 11P | 1-440054-1 |
| TAPE REEL | RED | 20.90 | 22.00 | 18.00 | 10P | 1-440054-0 |
| POLY BAG | NATURAL WHITE | 18.90 | 20.00 | 16.00 | 9P | 440054-9 |
| POLY BAG | NATURAL WHITE | 16.90 | 18.00 | 14.00 | 8P | 440054-8 |
| POLY BAG | NATURAL WHITE | 14.90 | 16.00 | 12.00 | 7P | 440054-7 |
| POLY BAG | NATURAL WHITE | 12.90 | 14.00 | 10.00 | 6P | 440054-6 |
| POLY BAG | NATURAL WHITE | 10.90 | 12.00 | 8.00 | 5P | 440054-5 |
| POLY BAG | NATURAL WHITE | 8.90 | 10.00 | 6.00 | 4P | 440054-4 |
| POLY BAG | NATURAL WHITE | 6.90 | 8.00 | 4.00 | 3P | 440054-3 |
| POLY BAG | NATURAL WHITE | 4.90 | 6.00 | 2.00 | 2P | 440054-2 |

THIS DRAWING IS A CONTROLLED DOCUMENT. 16JUL2004

DWN O. HU
CHK S. HOU
APVD W.J. KE
PRODUCT SPEC
108-57100
APPLICATION SPEC

TE Connectivity

2.0 MM PITCH HPI VERTICAL POST HEADERS

SIZE A3 CAGE CODE 00779 DRAWING NO. C=440054 RESTRICTED TO -

MATERIAL SEE NOTE FINISH SEE NOTE WEIGHT - GRAMS SCALE - SHEET 1 of 8 REV E6

CUSTOMER DRAWING

4

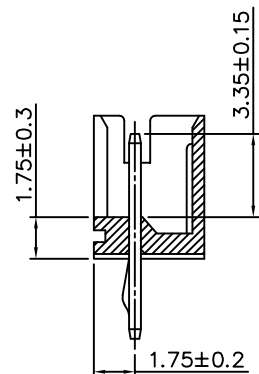
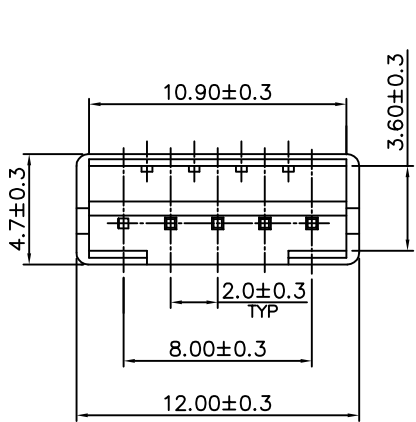
3

2

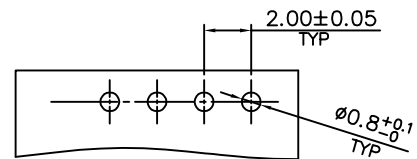
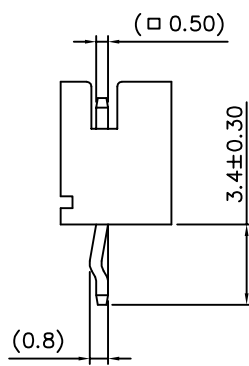
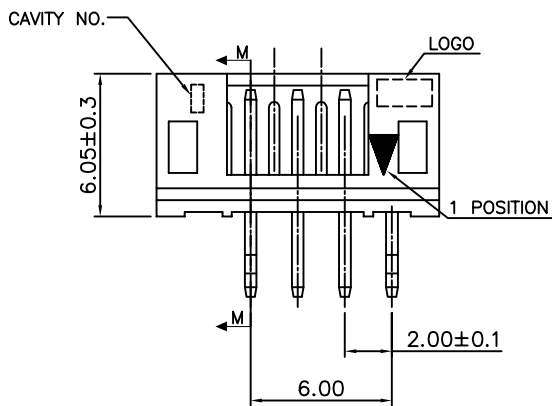
1

THIS DRAWING IS UNPUBLISHED. RELEASED FOR PUBLICATION AUG 2006 .
© COPYRIGHT 2009 BY TYCO ELECTRONICS CORPORATION. ALL RIGHTS RESERVED.

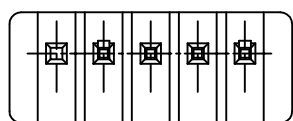
| LOC | | DIST | | REVISIONS | | | | | |
|-----|--|------|--|-----------|-----|--------------|------|-----|------|
| DW | | | | P | LTR | DESCRIPTION | DATE | DWN | APVD |
| | | | | | | SEE SHEET 1. | | | |



SECTION M-M



RECOMMENDER PCB LAYOUT
(PCB THK=1.0~1.6mm)



| | | | | |
|----------|---------------|-------------------|-----|-------------|
| POLY BAG | NATURAL WHITE | PIN 5 | 4P | 9-440054-5 |
| PACKAGE | COLOR | PIN NUMBER LACKED | POS | PART NUMBER |

THIS DRAWING IS A CONTROLLED DOCUMENT.

| | | | | |
|--------------------|--|------------------|--|-----------|
| DIMENSIONS: MM | TOLERANCES UNLESS OTHERWISE SPECIFIED: | DWN | TE Connectivity | |
| 0 PLC ± - | 1 PLC ± 0.3 | CHK | NAME | |
| 2 PLC ± 0.2 | 3 PLC ± 0.15 | APVD | 2.0 MM PITCH HPI VERTICAL POST HEADERS | |
| 4 PLC ± - | ANGLES ± 3' | PRODUCT SPEC | SIZE | CAGE CODE |
| MATERIAL | FINISH | APPLICATION SPEC | A3 | 00779 |
| SEE NOTE (PAGE 1.) | SEE NOTE (PAGE 1.) | WEIGHT | DRAWING NO. C=440054 | |
| | | CUSTOMER DRAWING | RESTRICTED TO | |
| | | SCALE | SHEET | REV |
| | | - | 2 of 8 | E6 |

4

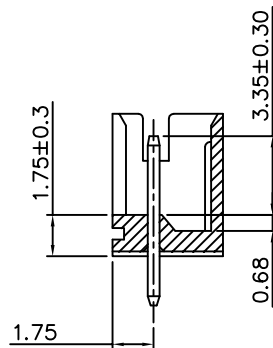
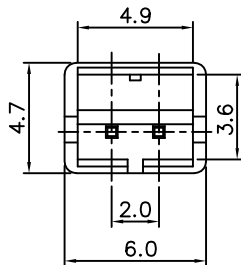
3

2

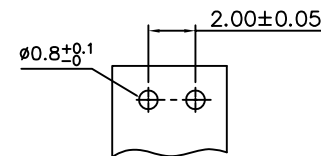
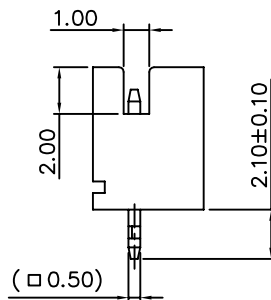
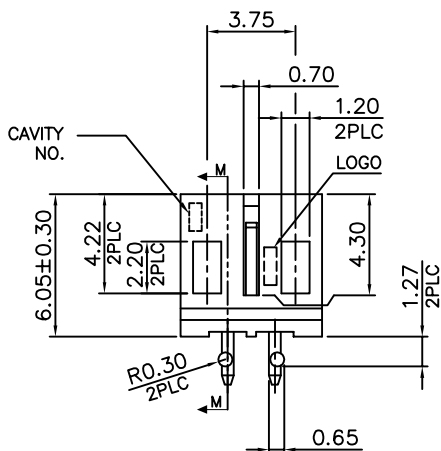
1

THIS DRAWING IS UNPUBLISHED. RELEASED FOR PUBLICATION AUG 2006 .
 © COPYRIGHT 2009 BY TYCO ELECTRONICS CORPORATION. ALL RIGHTS RESERVED.

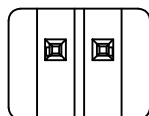
| LOC | | DIST | | REVISIONS | | | DATE | DWN | APVD |
|-----|-----|--------------|--|-----------|--|--|------|-----|------|
| P | LTR | DESCRIPTION | | | | | | | |
| | | SEE SHEET 1. | | | | | | | |



SECTION M-M



RECOMMENDED PCB LAYOUT
(PCB THK=1.0MM~1.6MM)



| | | | |
|----------|---------------|-----|-------------|
| POLY BAG | NATURAL WHITE | 2P | 9-440054-2 |
| PACKAGE | COLOR | POS | PART NUMBER |

| | | | | |
|---|--------------------|--------|--|---------------|
| THIS DRAWING IS A CONTROLLED DOCUMENT. | | DWN | TE Connectivity | |
| DIMENSIONS: MM | | CHK | | |
| | | APVD | | |
| TOLERANCES UNLESS OTHERWISE SPECIFIED: 0 PLC ± - 1 PLC ± 0.3 2 PLC ± 0.2 3 PLC ± 0.15 4 PLC ± - ANGLES ± 3° | | NAME | | |
| MATERIAL | FINISH | WEIGHT | 2.0 MM PITCH HPI VERTICAL POST HEADERS | |
| SEE NOTE (PAGE 1.) | SEE NOTE (PAGE 1.) | - | SIZE | RESTRICTED TO |
| CUSTOMER DRAWING | | A3 | CAGE CODE | 00779 |
| | | C= | DRAWING NO | 440054 |
| | | SCALE | SHEET | 3 of 8 |
| | | REV | E6 | |

4

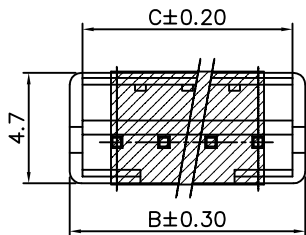
3

2

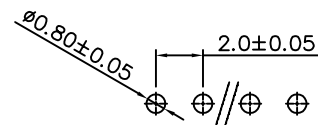
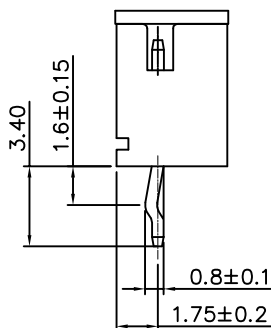
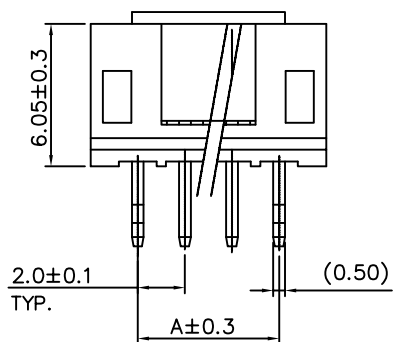
1

THIS DRAWING IS UNPUBLISHED. RELEASED FOR PUBLICATION AUG 2006 .
 © COPYRIGHT 2009 BY TYCO ELECTRONICS CORPORATION. ALL RIGHTS RESERVED.

| LOC | DIST | REVISIONS | | | |
|-----|------|--------------|------|-----|------|
| P | LTR | DESCRIPTION | DATE | DWN | APVD |
| DW | | SEE SHEET 1. | | | |



- NOTES:
- MATERIAL:
HOUSING: NYLON 6T, UL94V-0, COLOR: SEE TABLE.
CONTACT: BRASS, THICKNESS=0.50mm.
 - FINISH:
2.03um[80u"] MIN. BRIGHT-TIN PLATING ON CONTACT.
1.27um[50u"] MIN. NICKEL ENTIRE CONTACT UNDERPLATED.
 - (SMT) REFLOW PROCESS NEED AFFORD 260°C.



RECOMMENDED PCB LAYOUT
 (PCB THK=1.0MM~1.6MM)

| | | | | | | |
|-------------------|---------------------|------------|-------------|------------|--------|------------------------|
| TAPE REEL PACKAGE | NATURAL WHITE COLOR | 8.90 DIM C | 10.00 DIM B | 6.00 DIM A | 4P POS | 9-440054-4 PART NUMBER |
|-------------------|---------------------|------------|-------------|------------|--------|------------------------|

| | | | | | | | | | | | | | | | | |
|--|--------------------|------------------|--|--------------|----------|---------------|--------------|-------|-------|-------|-------|-------|--------|-------|-----|--------|
| THIS DRAWING IS A CONTROLLED DOCUMENT. | | DWN | TE Connectivity 2.0 MM PITCH HPI VERTICAL POST HEADERS | | | | | | | | | | | | | |
| DIMENSIONS: MM | | CHK | | | | | NAME | | | | | | | | | |
| TOLERANCES UNLESS OTHERWISE SPECIFIED: | | APVD | | | | | PRODUCT SPEC | | | | | | | | | |
| <table border="1"> <tr><td>0 PLC</td><td>± -</td></tr> <tr><td>1 PLC</td><td>± 0.3</td></tr> <tr><td>2 PLC</td><td>± 0.2</td></tr> <tr><td>3 PLC</td><td>± 0.15</td></tr> <tr><td>4 PLC</td><td>± -</td></tr> <tr><td>ANGLES</td><td>± 3°</td></tr> </table> | | 0 PLC | | | | | ± - | 1 PLC | ± 0.3 | 2 PLC | ± 0.2 | 3 PLC | ± 0.15 | 4 PLC | ± - | ANGLES |
| 0 PLC | ± - | | | | | | | | | | | | | | | |
| 1 PLC | ± 0.3 | | | | | | | | | | | | | | | |
| 2 PLC | ± 0.2 | | | | | | | | | | | | | | | |
| 3 PLC | ± 0.15 | | | | | | | | | | | | | | | |
| 4 PLC | ± - | | | | | | | | | | | | | | | |
| ANGLES | ± 3° | | | | | | | | | | | | | | | |
| MATERIAL | FINISH | WEIGHT | A3 | 00779 | C=440054 | RESTRICTED TO | | | | | | | | | | |
| SEE NOTE (PAGE 1.) | SEE NOTE (PAGE 1.) | CUSTOMER DRAWING | SCALE | SHEET 4 of 8 | REV E6 | | | | | | | | | | | |

THIS DRAWING IS UNPUBLISHED. RELEASED FOR PUBLICATION AUG .2006.
 © COPYRIGHT 2009 BY TYCO ELECTRONICS CORPORATION. ALL RIGHTS RESERVED.

| LOC | DIST | REVISIONS | | | |
|-----|------|--------------|------|-----|------|
| P | LTR | DESCRIPTION | DATE | DWN | APVD |
| DW | | SEE SHEET 1. | | | |

POLY BAG

CARTON


340mm(L)X 470mm(W)X 178mm(H)
 (FOR HEADER 2P~5P ONLY)

340mm(L)X 470mm(W)X 365mm(H)
 (FOR HEADER 6P~16P ONLY)

INEER BOX

320mm(L)X 220mm(W)X 155mm(H)

| | | | |
|--------------|-----------|------|-------------|
| 17,600 | 550 | 4P | 9-440054-5 |
| 40,000 | 1,000 | 2P | 9-440054-2 |
| 17,600 | 550 | 5P | 8-440054-5 |
| 20,800 | 650 | 4P | 8-440054-4 |
| 27,000 | 750 | 3P | 8-440054-3 |
| 40,000 | 1,000 | 2P | 8-440054-2 |
| 17,600 | 550 | 5P | 6-440054-5 |
| 20,800 | 650 | 4P | 6-440054-4 |
| 27,000 | 750 | 3P | 6-440054-3 |
| 40,000 | 1,000 | 2P | 6-440054-2 |
| 16,000 | 250 | 12P | 7-440054-6 |
| 18,000 | 250 | 11P | 7-440054-5 |
| 19,200 | 300 | 10P | 7-440054-4 |
| 22,400 | 350 | 9P | 7-440054-3 |
| 22,400 | 350 | 8P | 7-440054-2 |
| 25,600 | 400 | 7P | 7-440054-1 |
| 28,800 | 450 | 6P | 7-440054-0 |
| 17,600 | 550 | 5P | 4-440054-5 |
| 20,800 | 650 | 4P | 4-440054-4 |
| 27,000 | 750 | 3P | 4-440054-3 |
| 40,000 | 1,000 | 2P | 4-440054-2 |
| 17,600 | 550 | 5P | 2-440054-5 |
| 20,800 | 650 | 4P | 2-440054-4 |
| 27,000 | 750 | 3P | 2-440054-3 |
| 40,000 | 1,000 | 2P | 2-440054-2 |
| 12,000 | 200 | 16P | 1-440054-6 |
| 12,000 | 200 | 15P | 1-440054-5 |
| 12,800 | 200 | 14P | 1-440054-4 |
| 15,000 | 250 | 13P | 1-440054-3 |
| 16,000 | 250 | 12P | 1-440054-2 |
| 18,000 | 250 | 11P | 1-440054-1 |
| 19,200 | 300 | 10P | 1-440054-0 |
| 22,400 | 350 | 9P | 440054-9 |
| 22,400 | 350 | 8P | 440054-8 |
| 25,600 | 400 | 7P | 440054-7 |
| 28,800 | 450 | 6P | 440054-6 |
| 17,600 | 550 | 5P | 440054-5 |
| 20,800 | 650 | 4P | 440054-4 |
| 27,000 | 750 | 3P | 440054-3 |
| 40,000 | 1,000 | 2P | 440054-2 |
| APQ | PPQ | POS. | PART NUMBER |
| (PCS/CARTON) | (PCS/BAG) | | |

| | | | | | | | | | | | | | | |
|--|--------|------------------|--|---------------|-----|-------|-----|-------|-----|-------|-----|-------|-----|--------|
| THIS DRAWING IS A CONTROLLED DOCUMENT. | | DWN |  TE Connectivity | | | | | | | | | | | |
| DIMENSIONS: MM | | CHK | | | | | | | | | | | | |
| TOLERANCES UNLESS OTHERWISE SPECIFIED: | | APVD | | | | | | | | | | | | |
| <table border="1"> <tr><td>0 PLC</td><td>± .</td></tr> <tr><td>1 PLC</td><td>± .</td></tr> <tr><td>2 PLC</td><td>± .</td></tr> <tr><td>3 PLC</td><td>± .</td></tr> <tr><td>4 PLC</td><td>± .</td></tr> <tr><td>ANGLES</td><td>± .</td></tr> </table> | | 0 PLC | | | ± . | 1 PLC | ± . | 2 PLC | ± . | 3 PLC | ± . | 4 PLC | ± . | ANGLES |
| 0 PLC | ± . | | | | | | | | | | | | | |
| 1 PLC | ± . | | | | | | | | | | | | | |
| 2 PLC | ± . | | | | | | | | | | | | | |
| 3 PLC | ± . | | | | | | | | | | | | | |
| 4 PLC | ± . | | | | | | | | | | | | | |
| ANGLES | ± . | | | | | | | | | | | | | |
| MATERIAL | FINISH | PRODUCT SPEC | 2.0 MM PITCH HPI VERTICAL POST HEADERS | | | | | | | | | | | |
| | | APPLICATION SPEC | SIZE | CAGE CODE | | | | | | | | | | |
| | | WEIGHT | A300779 | ©=440054 | | | | | | | | | | |
| CUSTOMER DRAWING | | | DRAWING NO | RESTRICTED TO | | | | | | | | | | |
| | | | SCALE | SHEET 5 of 8 | | | | | | | | | | |
| | | | | REV E6 | | | | | | | | | | |

4

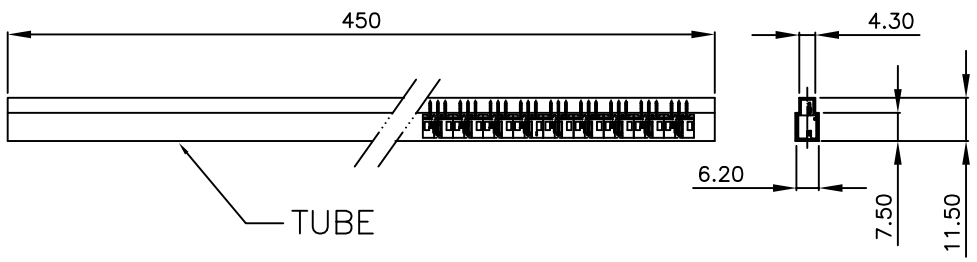
3

2

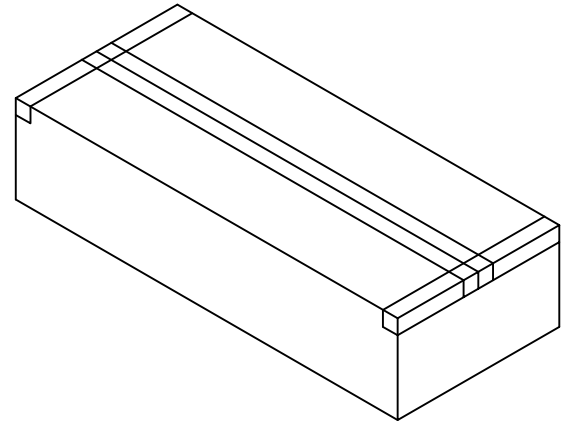
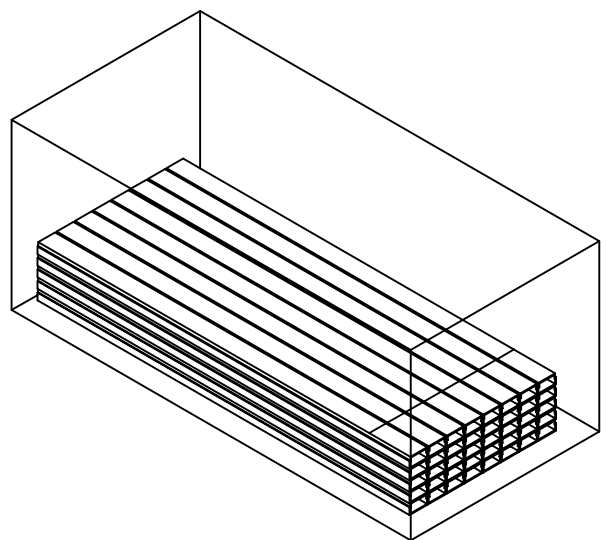
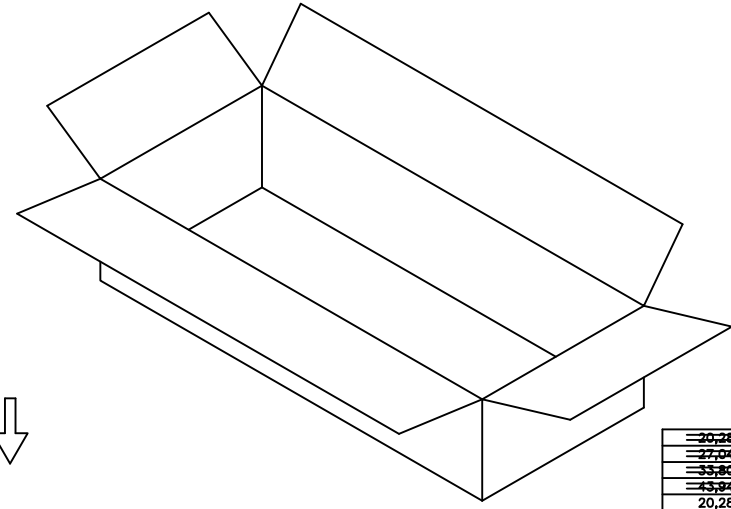
1

THIS DRAWING IS UNPUBLISHED. RELEASED FOR PUBLICATION AUG. 2006. COPYRIGHT 2009 BY TYCO ELECTRONICS CORPORATION. ALL RIGHTS RESERVED.

| LOC | DIST | REVISIONS | | | | | |
|-----|------|-----------|-----|--------------|------|-----|------|
| DW | | P | LTR | DESCRIPTION | DATE | DWN | APVD |
| | | | | SEE SHEET 1. | | | |



CARTON
470 mm(L)X 340mm(W)X 178mm(H)



| | | | |
|--------------|------------|------|-------------|
| 20,280 | 30 | 3P | 8-440054-9 |
| 27,040 | 40 | 4P | 8-440054-8 |
| 33,800 | 50 | 3P | 8-440054-7 |
| 43,940 | 65 | 2P | 8-440054-6 |
| 20,280 | 30 | 5P | 6-440054-9 |
| 27,040 | 40 | 4P | 6-440054-8 |
| 33,800 | 50 | 3P | 6-440054-7 |
| 43,940 | 65 | 2P | 6-440054-6 |
| 20,280 | 30 | 5P | 4-440054-9 |
| 27,040 | 40 | 4P | 4-440054-8 |
| 33,800 | 50 | 3P | 4-440054-7 |
| 43,940 | 65 | 2P | 4-440054-6 |
| 20,280 | 30 | 5P | 2-440054-9 |
| 27,040 | 40 | 4P | 2-440054-8 |
| 33,800 | 50 | 3P | 2-440054-7 |
| 43,940 | 65 | 2P | 2-440054-6 |
| 6,760 | 10 | 16P | 5-440054-6 |
| 8,112 | 12 | 15P | 5-440054-5 |
| 8,112 | 12 | 14P | 5-440054-4 |
| 8,788 | 13 | 13P | 5-440054-3 |
| 10,140 | 15 | 12P | 5-440054-2 |
| 10,816 | 16 | 11P | 5-440054-1 |
| 12,168 | 18 | 10P | 5-440054-0 |
| 13,520 | 20 | 9P | 3-440054-9 |
| 14,872 | 22 | 8P | 3-440054-8 |
| 16,900 | 25 | 7P | 3-440054-7 |
| 18,928 | 28 | 6P | 3-440054-6 |
| 20,280 | 30 | 5P | 3-440054-5 |
| 27,040 | 40 | 4P | 3-440054-4 |
| 33,800 | 50 | 3P | 3-440054-3 |
| 43,940 | 65 | 2P | 3-440054-2 |
| APQ | PPQ | POS. | PART NUMBER |
| (PCS/CARTON) | (PCS/TUBE) | | |

THIS DRAWING IS A CONTROLLED DOCUMENT.

| | | | | | |
|-------------------|---|--------------|------------------|--------|---------------|
| DIMENSIONS: MM | TOLERANCES UNLESS OTHERWISE SPECIFIED: 0 PLC ± .1 1 PLC ± .1 2 PLC ± .1 3 PLC ± .1 4 PLC ± .1 ANGLES ± .1 | DWN | CHK | APVD | NAME |
| MATERIAL | FINISH | PRODUCT SPEC | APPLICATION SPEC | WEIGHT | SIZE |
| | | | | | CAGE CODE |
| | | | | | DRAWING NO |
| | | | | | RESTRICTED TO |
| | | | | | SCALE |
| | | | | | SHEET |
| | | | | | REV |

TE Connectivity
2.0 MM PITCH HPI VERTICAL POST HEADERS
A300779 ©=440054
CUSTOMER DRAWING
6 of 8
E6

4

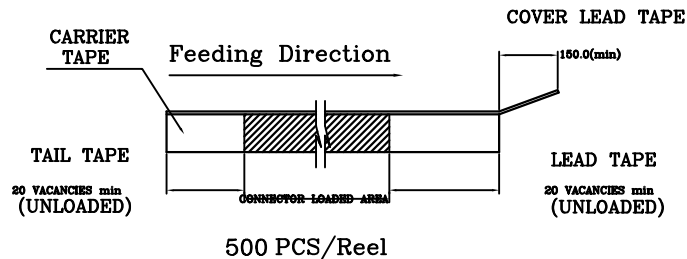
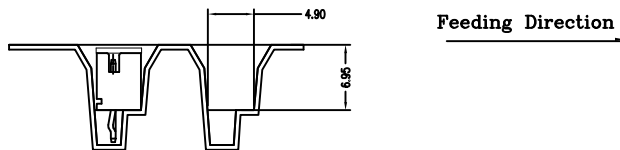
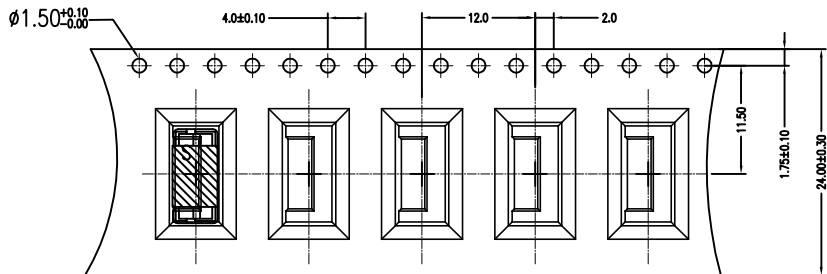
3

2

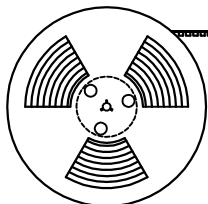
1

THIS DRAWING IS UNPUBLISHED. RELEASED FOR PUBLICATION AUG 2006 .
 © COPYRIGHT 2009 BY TYCO ELECTRONICS CORPORATION. ALL RIGHTS RESERVED.

| LOC | DIST | REVISIONS | | | |
|-----|------|--------------|------|-----|------|
| P | LTR | DESCRIPTION | DATE | DWN | APVD |
| DW | | SEE SHEET 1. | | | |



Feeding Direction



| | | | |
|-----------------------------|--------------------------|------------|---------------------------|
| 2000 APQ (PCS/CARTON) | 500 PPQ (PCS/TUBE) | 4P POS. | 9-440054-4 PART NUMBER |
|-----------------------------|--------------------------|------------|---------------------------|

| | | | | | |
|---|--|------------------|--|--|---------------|
| THIS DRAWING IS A CONTROLLED DOCUMENT. | | DWN | | TE Connectivity | |
| DIMENSIONS: MM | | CHK | | | |
| TOLERANCES UNLESS OTHERWISE SPECIFIED: | | APVD | | | |
| 0 PLC ± - 1 PLC ± - 2 PLC ± - 3 PLC ± - 4 PLC ± - ANGLES ± - | | NAME | | | |
| MATERIAL | | WEIGHT | | 2.0 MM PITCH HPI VERTICAL POST HEADERS | |
| FINISH | | CUSTOMER DRAWING | | SIZE | RESTRICTED TO |
| | | | | A3 | |
| | | | | CAGE CODE | |
| | | | | 00779 | |
| | | | | DRAWING NO | |
| | | | | C=440054 | |
| | | | | SCALE | |
| | | | | SHEET | |
| | | | | 7 of 8 | |
| | | | | REV | |
| | | | | E6 | |

4

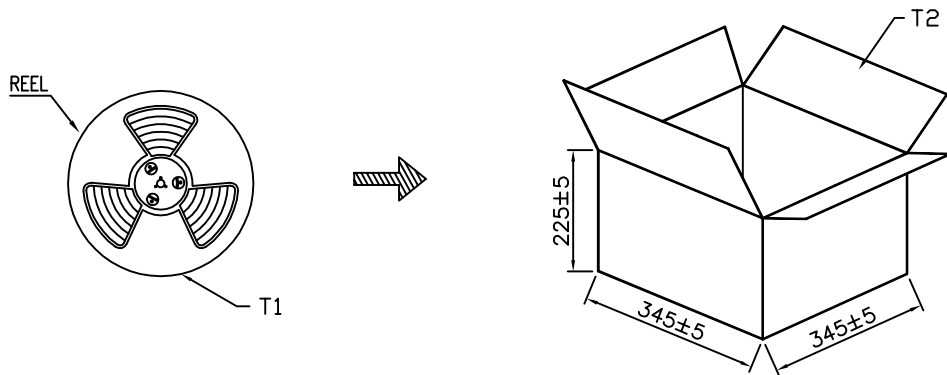
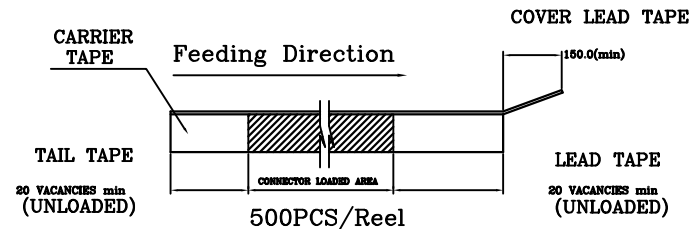
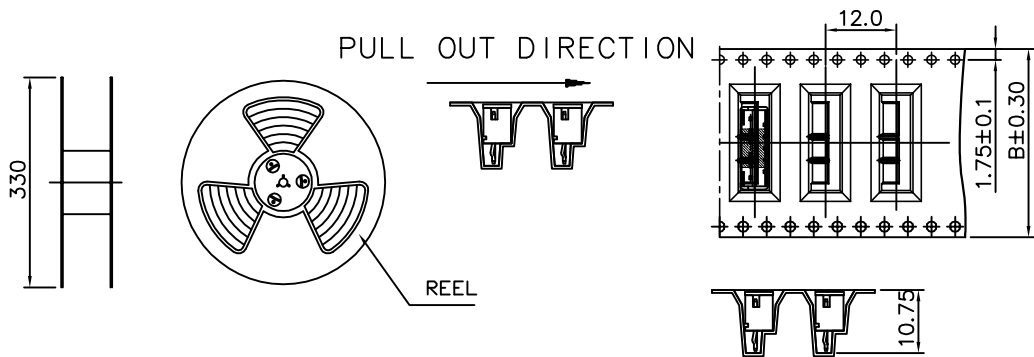
3

2

1

THIS DRAWING IS UNPUBLISHED. RELEASED FOR PUBLICATION AUG. 2006.
 © COPYRIGHT 2009 BY TYCO ELECTRONICS CORPORATION. ALL RIGHTS RESERVED.

| LOC | DIST | REVISIONS | | | |
|-----|------|--------------|------|-----|------|
| P | LTR | DESCRIPTION | DATE | DWN | APVD |
| DW | | SEE SHEET 1. | | | |



| POS | B(mm) | PCS./REEL | PCS/CARTON-T2 |
|-----|-------|-----------|----------------|
| 10P | 44 | 500 PCS. | 500X4=2000PCS. |

NOTE:
9-440054-0 10PDS WAVE SOLDER PART CAP TYPE.

| | | | |
|-----------------------------|--------------------------|-------------|---------------------------|
| 2000 APQ (PCS/CARTON) | 500 PPQ (PCS/REEL) | 10P POS. | 9-440054-0 PART NUMBER |
|-----------------------------|--------------------------|-------------|---------------------------|

THIS DRAWING IS A CONTROLLED DOCUMENT.

| | | | | |
|-------------------|--|------------------|--|--|
| DIMENSIONS: MM | TOLERANCES UNLESS OTHERWISE SPECIFIED: | DWN | TE Connectivity 2.0 MM PITCH HPI VERTICAL POST HEADERS | |
| | 0 PLC ± - | CHK | | |
| | 1 PLC ± - | APVD | | |
| | 2 PLC ± - | PRODUCT SPEC | | |
| | 3 PLC ± - | APPLICATION SPEC | NAME | |
| | 4 PLC ± - | | SIZE | |
| | ANGLES ± - | | CAGE CODE | |
| MATERIAL | FINISH | WEIGHT | DRAWING NO | |
| | | | RESTRICTED TO | |
| CUSTOMER DRAWING | | | SCALE | |
| | | | SHEET 8 of 8 | |
| | | | REV E6 | |

Mouser Electronics

Authorized Distributor

Click to View Pricing, Inventory, Delivery & Lifecycle Information:

[TE Connectivity:](#)

[1-440054-6](#)