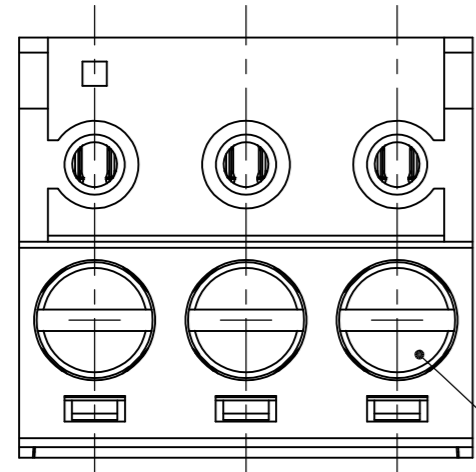


THIS DRAWING IS UNPUBLISHED. RELEASED FOR PUBLICATION
 © COPYRIGHT - By - ALL RIGHTS RESERVED.

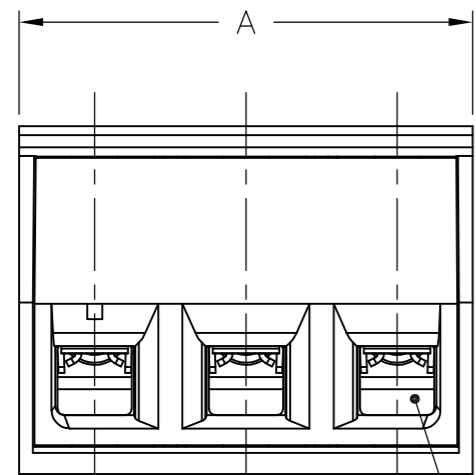
LOC	DIST	REVISIONS					
		P	LTR	DESCRIPTION	DATE	DWN	APVD
-	-	H3		REVISED PER ECO-11-005787	01APR11	HMR	CR

- 1 MATERIALS AND FINISH
 HOUSING: PA 6-6, UL 94-V0, COLOR: BLACK.
 CLAMP: BRASS, NICKEL PLATED.
 CONTACT: PHOSPHOR BRONZE, TIN PLATED.
 CLAMPING SCREW: M3, BRASS, NICKEL PLATED.
- 2 WIRE SIZE RANGE: 12-30 AWG
- 3 RECOGNIZED UNDER THE COMPONENT PROGRAM OF UNDERWRITERS LABORATORIES INC. FILE NO. E60677.
- 4 IMQ CERTIFICATE WITH SURVEILLANCE IN CONFORMITY WITH IEC 998-1/998-2-1.

 NOT CUMULATIVE TOLERANCE.
- 6 END TO END STACKABLE W/O LOSS OF CENTERLINE SPACING.
- 7 PART MARKED WITH WHITE PERMANENT MARKING.
- 8 PRELIMINARY PART NUMBER.

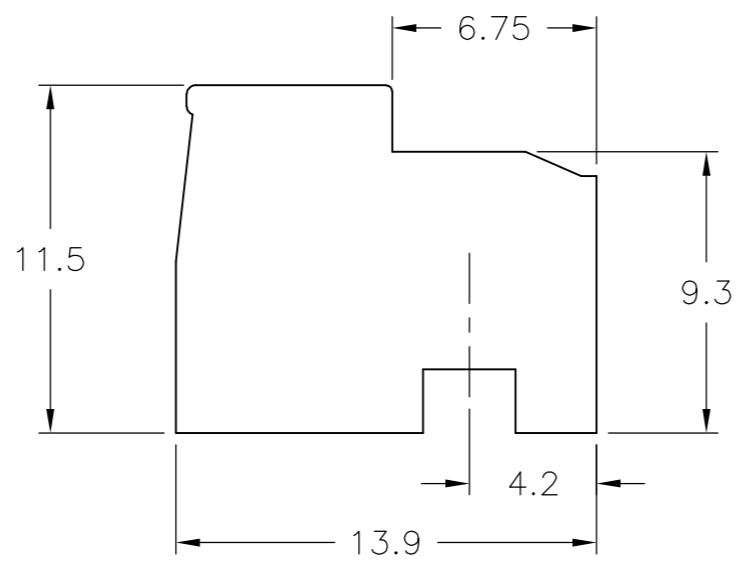


CLAMPING SCREW

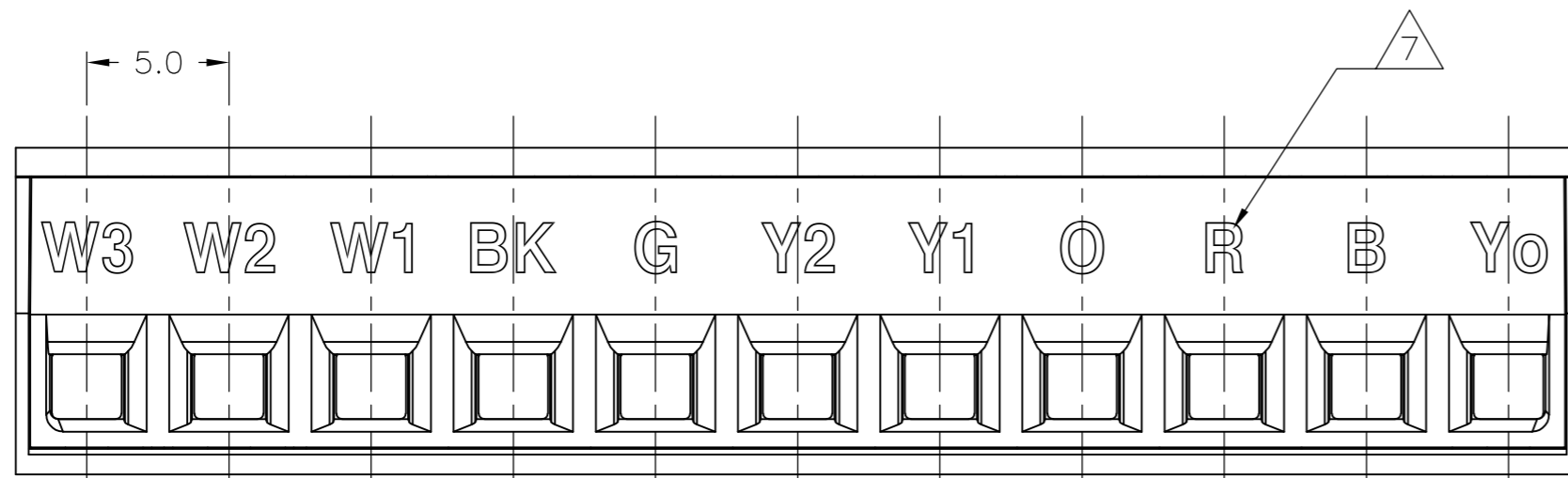
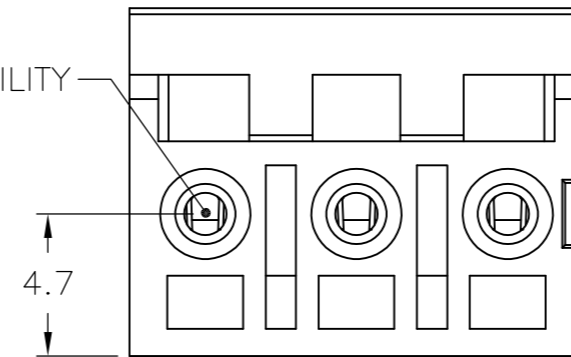


WIRE ENTRY

2.5
 5
 5.00±0.05
 TYP



TEST FACILITY



2-1548018-6

8	55	11	2-1546018-6
	125	25	2-1546018-5
	120	24	2-1546018-4
	115	23	2-1546018-3
	110	22	2-1546018-2
	105	21	2-1546018-1
	100	20	2-1546018-0
	95	19	1-1546018-9
	90	18	1-1546018-8
	85	17	1-1546018-7
	80	16	1-1546018-6
	75	15	1-1546018-5
	70	14	1-1546018-4
	65	13	1-1546018-3
	60	12	1-1546018-2
	55	11	1-1546018-1
	50	10	1-1546018-0
	45	9	1546018-9
	40	8	1546018-8
	35	7	1546018-7
	30	6	1546018-6
	25	5	1546018-5
	20	4	1546018-4
	15	3	1546018-3
	10	2	1546018-2
A		NO OF POSN	PART NUMBER

THIS DRAWING IS A CONTROLLED DOCUMENT.		DWN S SCHLEGEL 27AUG2009		
DIMENSIONS: mm		CHK C RICHARD 8/27/09		
TOLERANCES UNLESS OTHERWISE SPECIFIED:		APVD C RICHARD 8/27/09	NAME	
0 PLC ± -		PRODUCT SPEC	TERMINAL BLOCK PLUG 90/180 DEGREE	
1 PLC ± 0.3		APPLICATION SPEC	5.0mm PITCH	
2 PLC ± 0.25		WEIGHT	SIZE A2	CAGE CODE 00779
3 PLC ± -		FINISH	DRAWING NO C=1546018	RESTRICTED TO
4 PLC ± -		MATERIAL	SCALE 4:1	SHEET 1 OF 1
ANGLES ± 1°		1	REV H3	
CUSTOMER DRAWING				

Mouser Electronics

Authorized Distributor

Click to View Pricing, Inventory, Delivery & Lifecycle Information:

[TE Connectivity:](#)

[1546018-4](#)