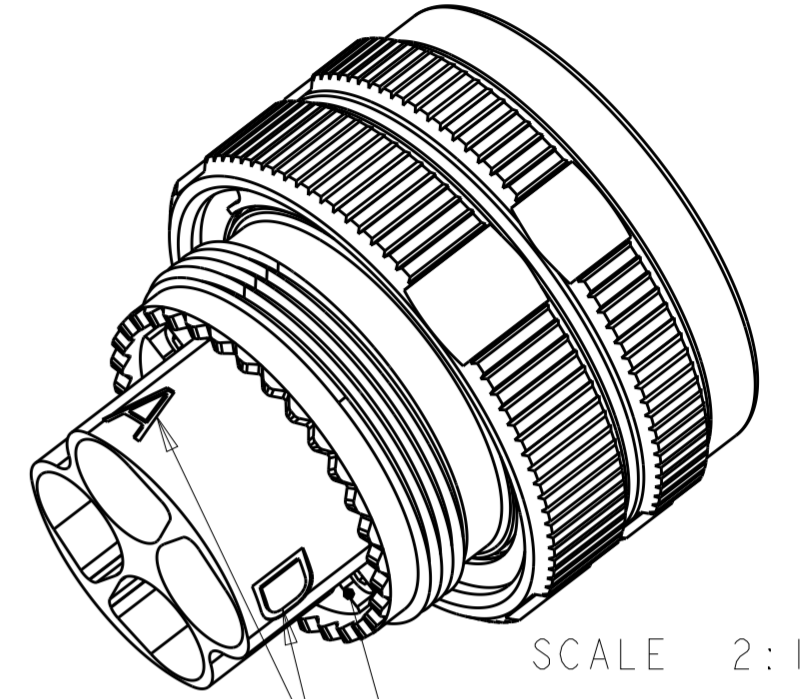
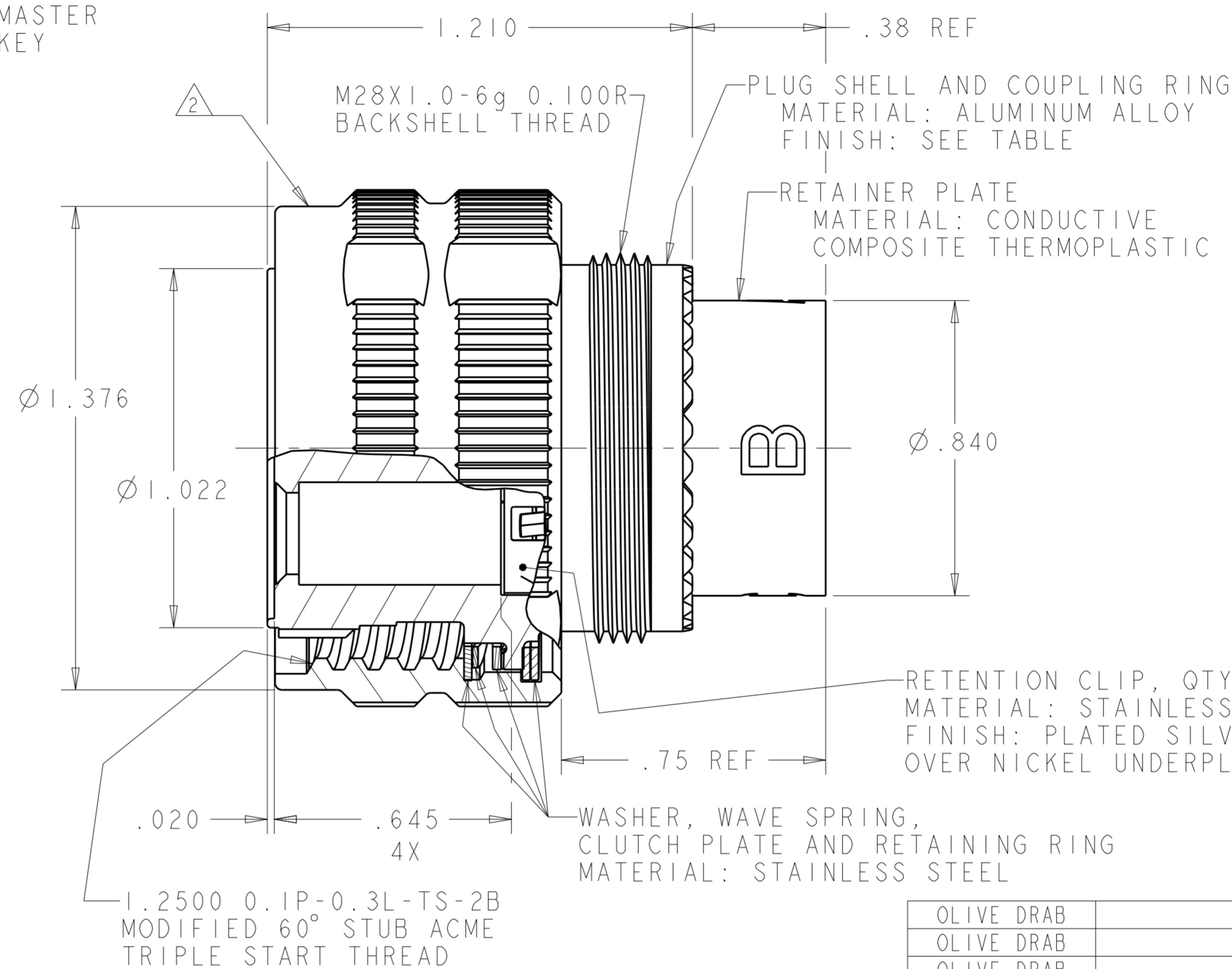
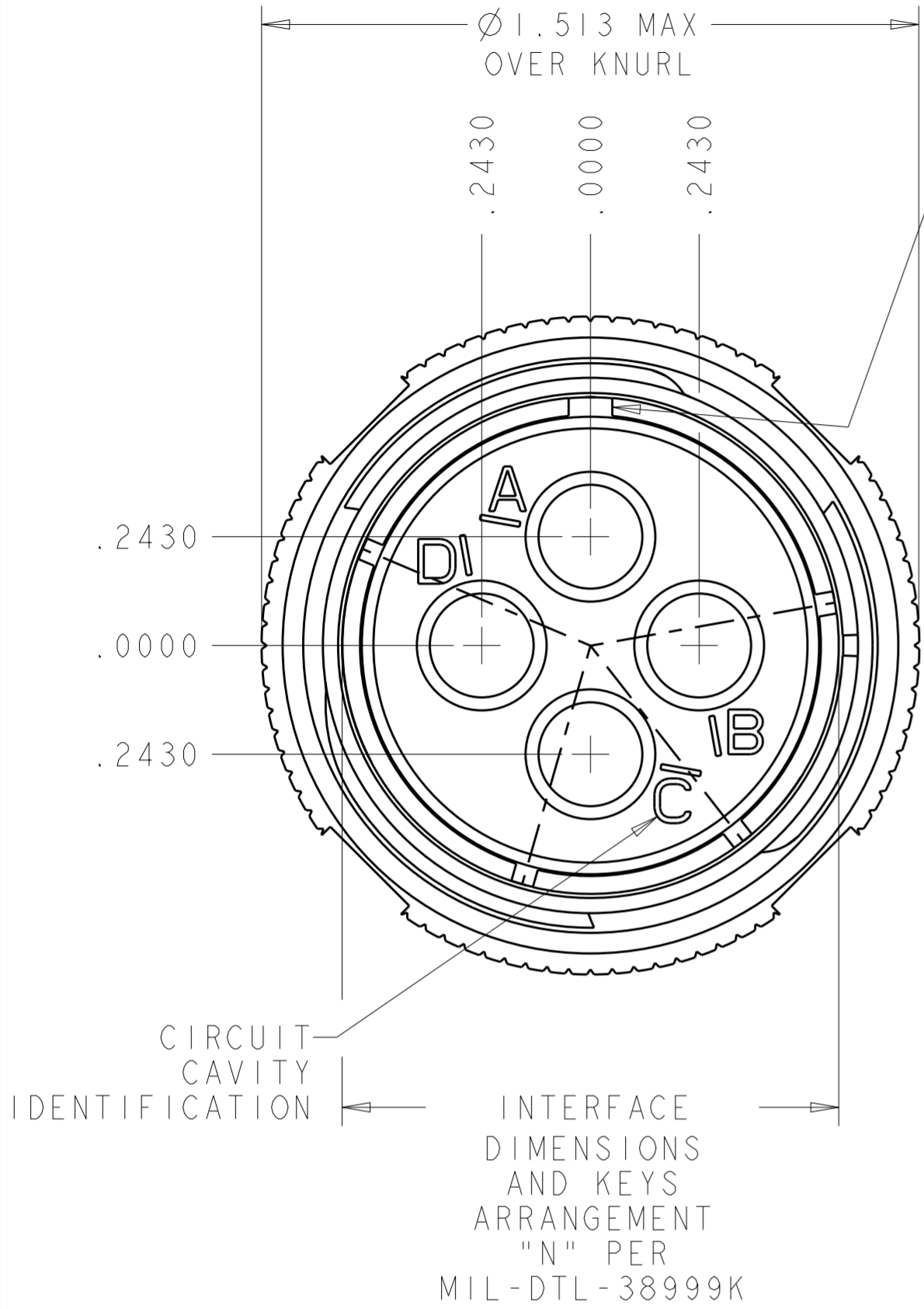


THIS DRAWING IS UNPUBLISHED. RELEASED FOR PUBLICATION 20
 © COPYRIGHT 20 BY - ALL RIGHTS RESERVED.

REVISIONS					
P	LTR	DESCRIPTION	DATE	DWN	APVD
	EI	REV PER ECO 14-002547	4-24-14	CT	DM



CIRCUIT ID'S MARKED ON OUTER CIRCUMFERENCE APPROX AS SHOWN
 RTV SEALANT (MIL-A-46146)

RETENTION CLIP, QTY=4
 MATERIAL: STAINLESS STEEL
 FINISH: PLATED SILVER OVER NICKEL UNDERPLATE

WASHER, WAVE SPRING, CLUTCH PLATE AND RETAINING RING
 MATERIAL: STAINLESS STEEL

INTERFACE DIMENSIONS AND KEYS ARRANGEMENT "N" PER MIL-DTL-38999K

OLIVE DRAB	-	B	1-1811902-9
OLIVE DRAB	-	A	1-1811902-8
OLIVE DRAB	-	N	1-1811902-7
NICKEL	1877040-2	B	1-1811902-5
NICKEL	1877040-2	A	1-1811902-4
NICKEL	1877040-2	N	1-1811902-3
OLIVE DRAB	1445693-3	B	1-1811902-2
OLIVE DRAB	1445693-3	A	1-1811902-1
OLIVE DRAB	1445693-3	N	1-1811902-0
NICKEL	-	B	1811902-9
NICKEL	-	A	1811902-8
NICKEL	-	N	1811902-7
NICKEL	1445693-3	B	1811902-3
NICKEL	1445693-3	A	1811902-2
NICKEL	1445693-3	N	1811902-1
SHELL FINISH	QUADRAX CONTACT QTY=4	SHELL KEYING ARRANGEMENT	PART NUMBER

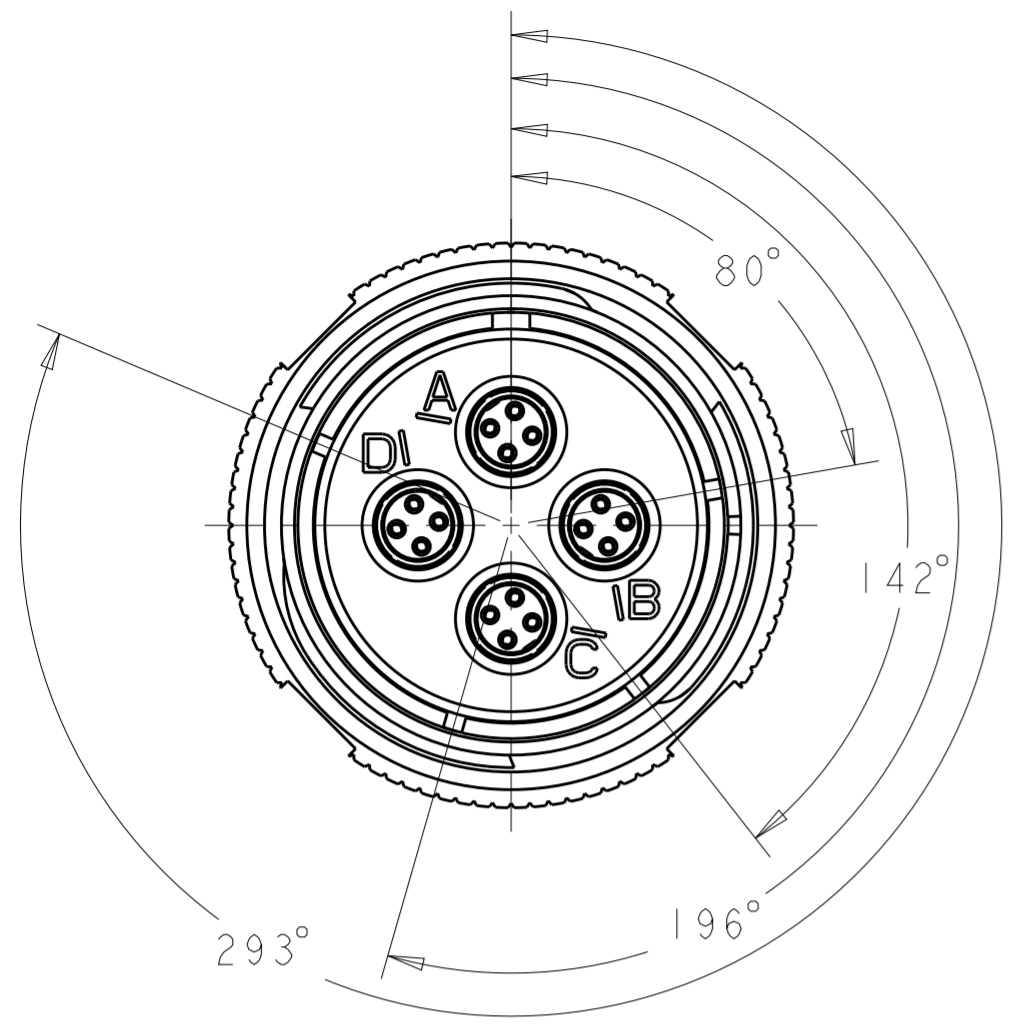
- THIS CONNECTOR ACCEPTS TYCO ELECTRONICS QUADRAX SOCKET ASSEMBLY; PART NUMBER 1445693-3 OR 1877040-2.
- PART IS MARKED WITH TE PART NO. (SEE TABLE), TE LOGO OR TE, TYCO ELECTRONICS CAGE CODE, AND DATE CODE.
- OPERATING TEMPERATURE RANGE: -65°C TO +125°C (-85°F TO +257°F).
- THE CONNECTOR QUALIFICATION WAS COMPLETED PER TYCO ELECTRONICS 108-2199. THE QUADRAX CONTACTS ARE QUALIFIED PER TYCO ELECTRONICS 108-2131. THE REFERENCE TEST REPORTS ARE TYCO ELECTRONICS 501-660 FOR THE CONNECTOR AND 501-574 FOR THE CONTACTS WHICH ARE SAME AS ARINC 600-13, DRAFT 2 OF SUPPLEMENT 14 (AIR TRANSPORT AVIONICS EQUIPMENT INTERFACES).

THIS DRAWING IS A CONTROLLED DOCUMENT.

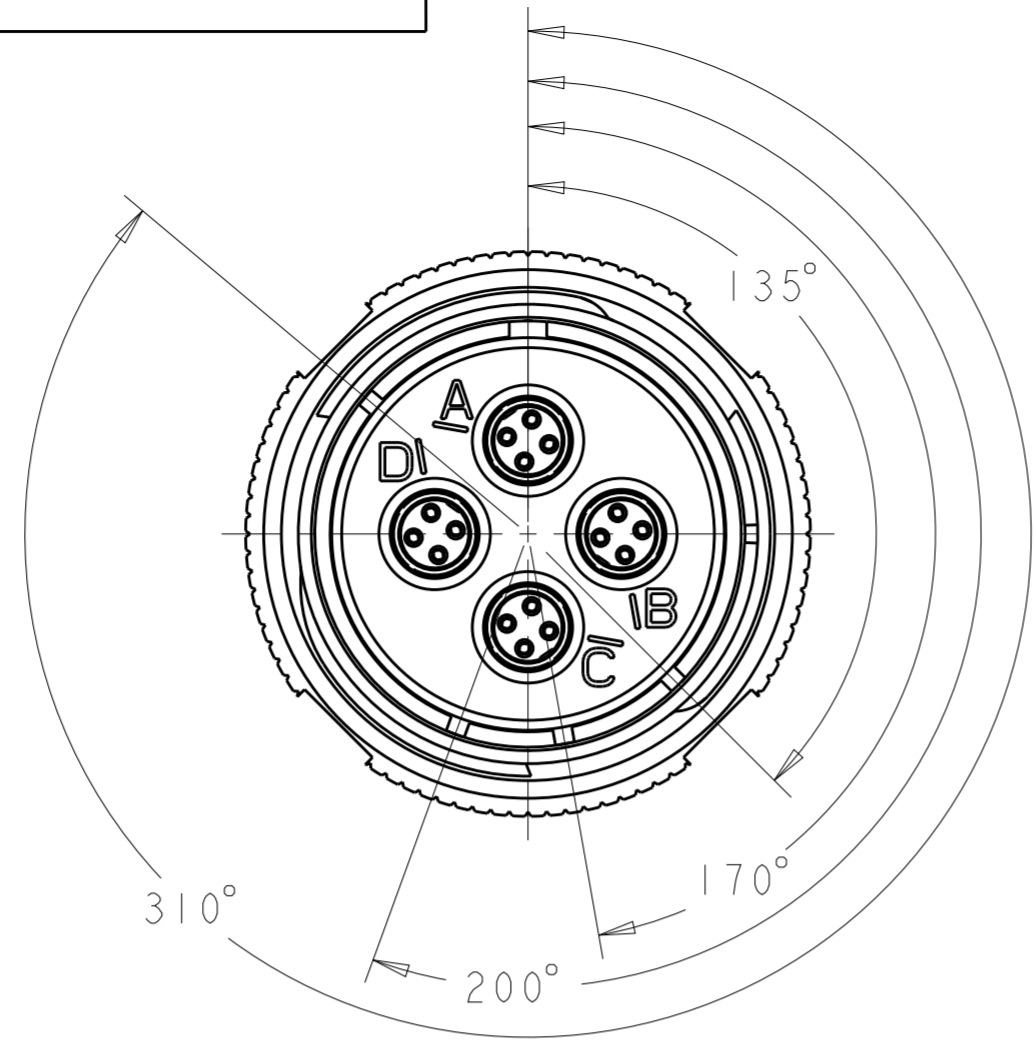
DIMENSIONS: INCHES	TOLERANCES UNLESS OTHERWISE SPECIFIED:	DWN R FLAIG 02AUG2005	TE Connectivity
	0 PLC ±.1	CHK L OH 02AUG2005	
	1 PLC ±.01	APVD L OH 02AUG2005	
MATERIAL	2 PLC ±.005	PRODUCT SPEC	NAME ASSY, PLUG, SIZE 19, 404, M38999 STYLE
	3 PLC ±.0020	APPLICATION SPEC	SIZE A2
	4 PLC ±.0020	WEIGHT	CAGE CODE -
	ANGLES ±1°	CUSTOMER DRAWING	DRAWING NO G-1811902
	FINISH	SCALE 3:1	SHEET 1 OF 2
		REV E1	

THIS DRAWING IS UNPUBLISHED. RELEASED FOR PUBLICATION 20
 © COPYRIGHT 20 BY - ALL RIGHTS RESERVED.

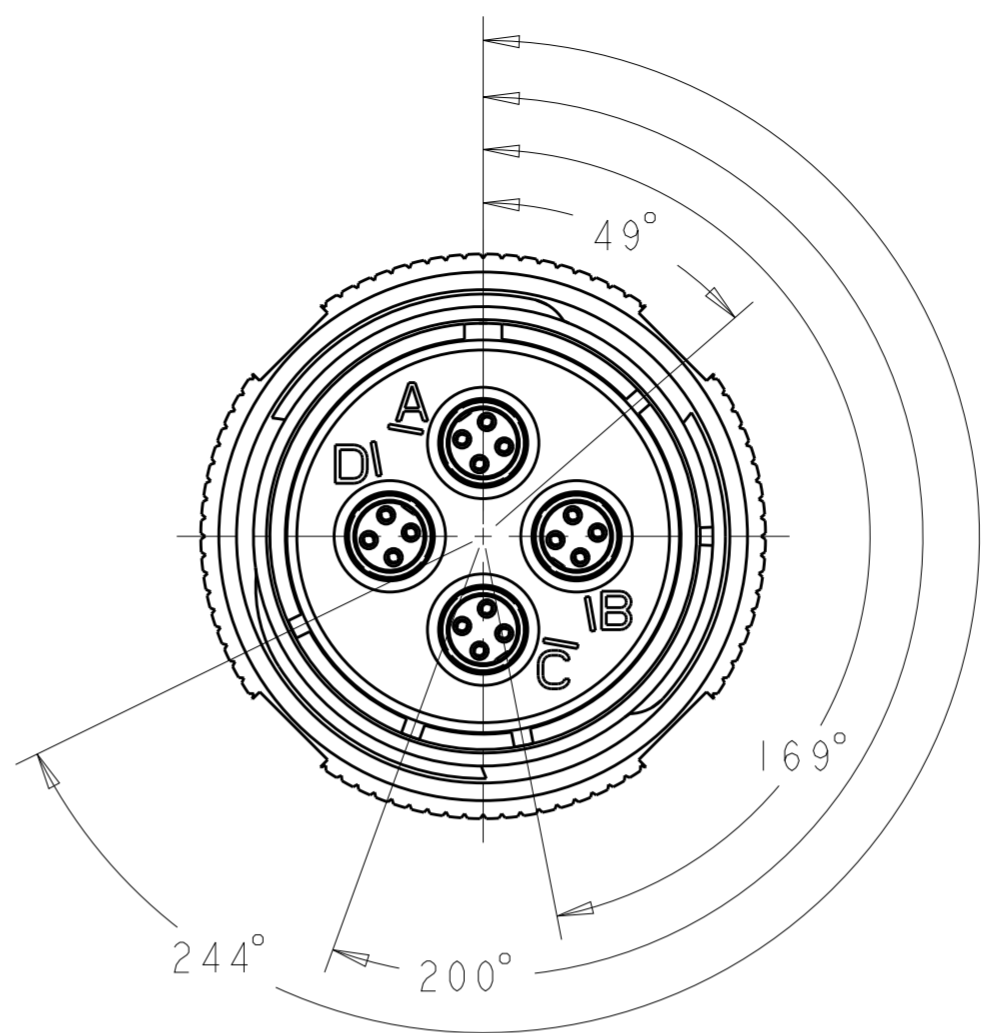
REVISIONS					
P	LTR	DESCRIPTION	DATE	DWN	APVD
-		SEE SHEET 1	-	-	-



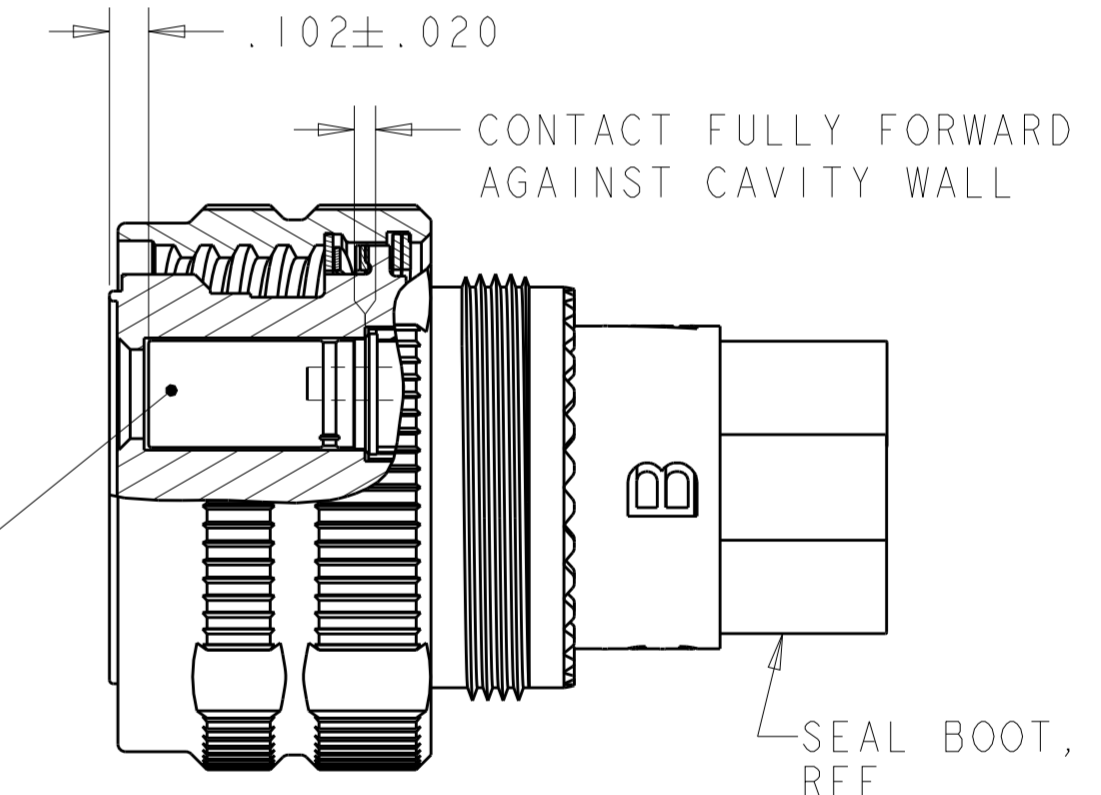
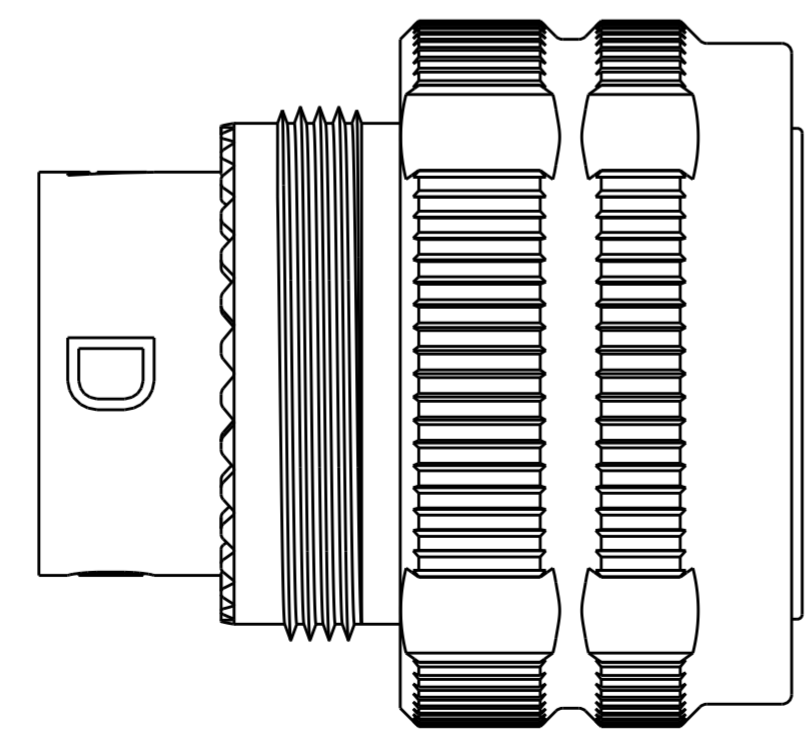
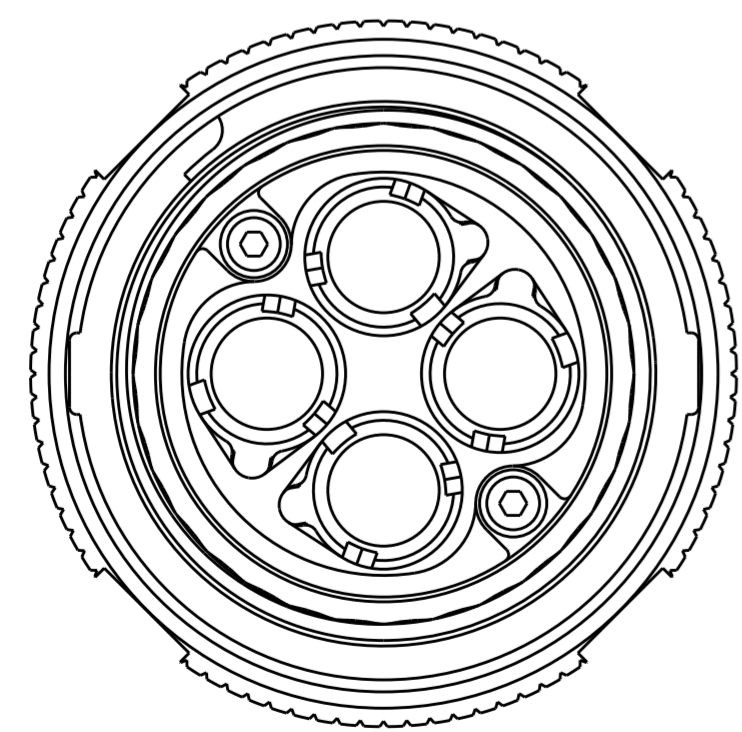
1811902-1
"N" KEY POLARIZATION



1811902-2
"A" KEY POLARIZATION



1811902-3
"B" KEY POLARIZATION



QUADRAX SOCKET ASSY,
 SHOWN FOR REF ONLY
 -1, -2, -3, -10, -11,
 -12, -13, -14, & -15 CONTACT PROVIDED UN-ASSEMBLED
 -7, -8, & -9 CONTACT SOLD SEPARATELY

SECTION Y-Y
 SCALE 2:1

THIS DRAWING IS A CONTROLLED DOCUMENT.		DWN R FLAIG 02AUG2005	TE Connectivity		
DIMENSIONS: INCHES		CHK L OH 02AUG2005			
TOLERANCES UNLESS OTHERWISE SPECIFIED:		APVD L OH 02AUG2005	NAME ASSY, PLUG, SIZE 19, 404, M38999 STYLE		
0 PLC ±. 1 PLC ±.1 2 PLC ±.01 3 PLC ±.005 4 PLC ±.0020 ANGLES ±1° FINISH		PRODUCT SPEC -	SIZE A2	CAGE CODE -	DRAWING NO G-1811902
MATERIAL -		APPLICATION SPEC -	WEIGHT -	RESTRICTED TO -	SCALE 3:1 SHEET 2 OF 2 REV E1
-		CUSTOMER DRAWING			

Mouser Electronics

Authorized Distributor

Click to View Pricing, Inventory, Delivery & Lifecycle Information:

[TE Connectivity:](#)

[1811902-1](#)