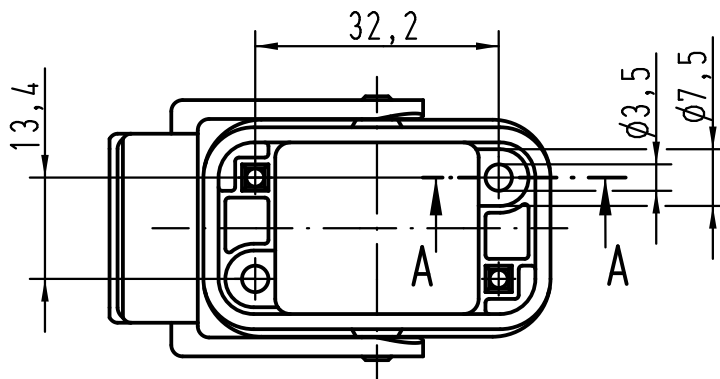
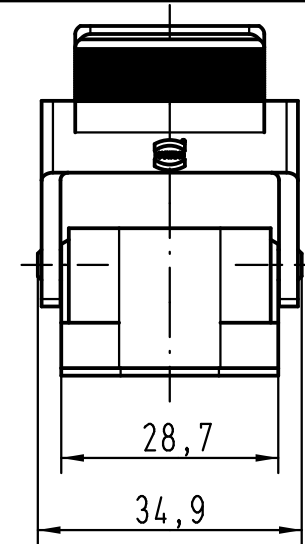
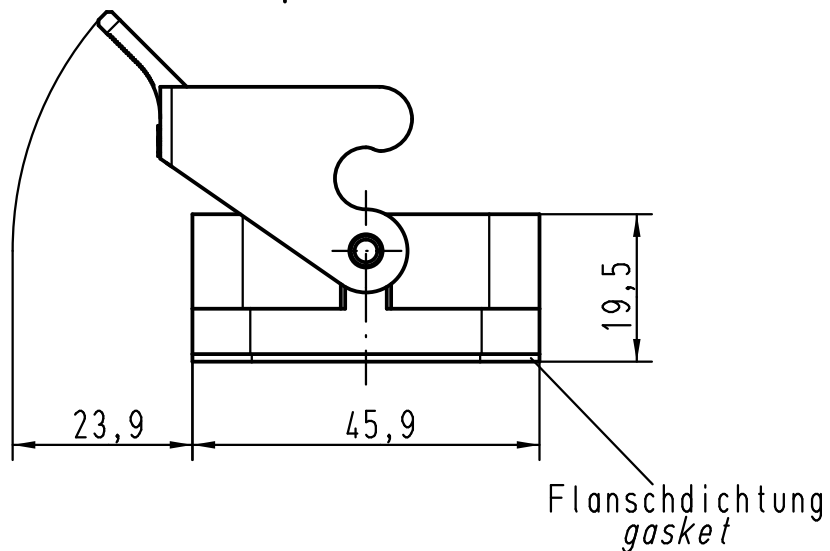
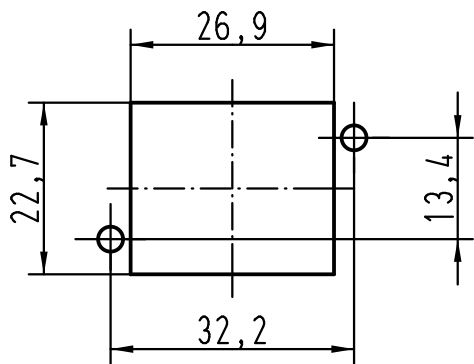
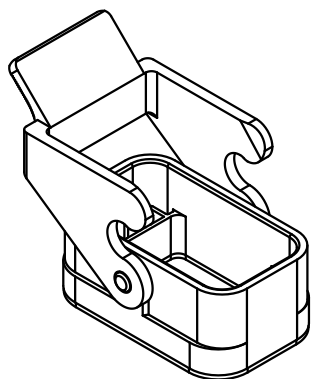
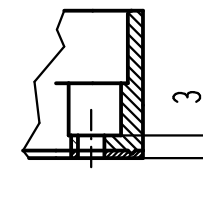


1 2 3 4 5 6

Montageausschnitt
panel cut out



A-A



All Dimensions in mm Original Size DIN A 4		Techn. Character.		Nicht tolerierte Maß/Free size tolerances	
			Dat.	Name	Maßstab/Scale 1:1
		Detail.	06.04.10	ML	
		Insp.		Sch	
		Stand.			
A		HARTING Electric GmbH & Co. KG		TB 09 12 008 0327	
Mod.		D-32339 Espelkamp			
	Dat.				Blatt/page

Mouser Electronics

Authorized Distributor

Click to View Pricing, Inventory, Delivery & Lifecycle Information:

[HARTING:](#)

[09120080327](#)