

NOTES:

1. MATERIALS AND FINISHES:

- BODY - PHOSPHOR BRONZE, NICKEL PLATING
- CONTACT - BRASS, GOLD PLATING
- SPRING - BeCu, NICKEL PLATING
- FERRULE & SHELL - BRASS, NICKEL PLATING
- GASKET - SILICONE RUBBER, RED
- INSULATOR - PTFE, NATURAL

2. ELECTRICAL:

- A. IMPEDANCE: 75 OHM
- B. FREQUENCY RANGE: DC - 4 GHz
- C. VSWR(RETURN LOSS): 1.3 MAX.
- D. DIELECTRIC WITHSTANDING VOLTAGE: 1500 VRMS, MIN.

3. MECHANICAL:

- A. DURABILITY: 500 CYCLES MIN.
- B. TEMPERATURE RANGE: -65° C TO +165° C

4. FERRULE TO BE CRIMPED WITH A .178" HEX DIE.

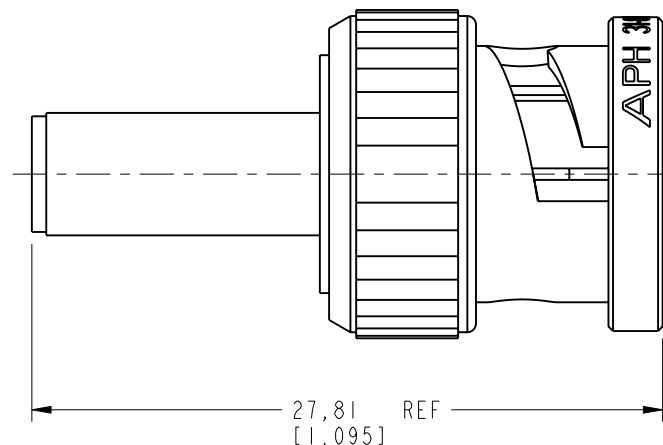
- A. CONTACT TO BE CRIMPED WITH A .042" SQUARE DIE OR A 8 PT CRIMPER AMPHENOL NUMBER 227-TI200

5 SHOWS CABLE ENTRY DIMENSIONS.

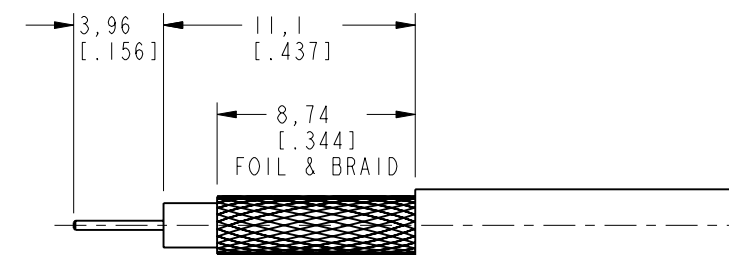
THIRD ANGLE PROJ.

REVISIONS

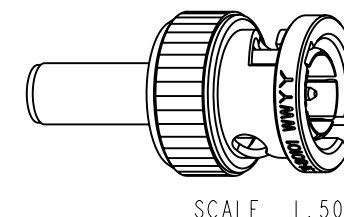
REV	DESCRIPTION	DATE	ECO	APPR
A	RELEASE TO MFG	9/12/06	45950	SX
B	NOTE 4 SHT 2 'OR A 12 POINT CENTER CONTACT INDENTOR TOOL'	5/11/06	46083	CPM
C	NOTE 4 WAS CHANGED\ RD-DM09081101K	8/6/07	46681	TC
D	SEE SHEET 1\ RD-DM09090201K	11/26/09	47864	SH
E	NOTE 4:227-TI200 WAS CTL-TI200	15-Jul-11	48649	D.H
F	CHANGE NOTES ON ASSEMBLY DRAWING/RD-DM110825011	05-Sep-11	48757	SCOTT
G	UPDATED DESIGN FOR BETTER RF PERFORMANCE	14-Jun-18	08281	SH



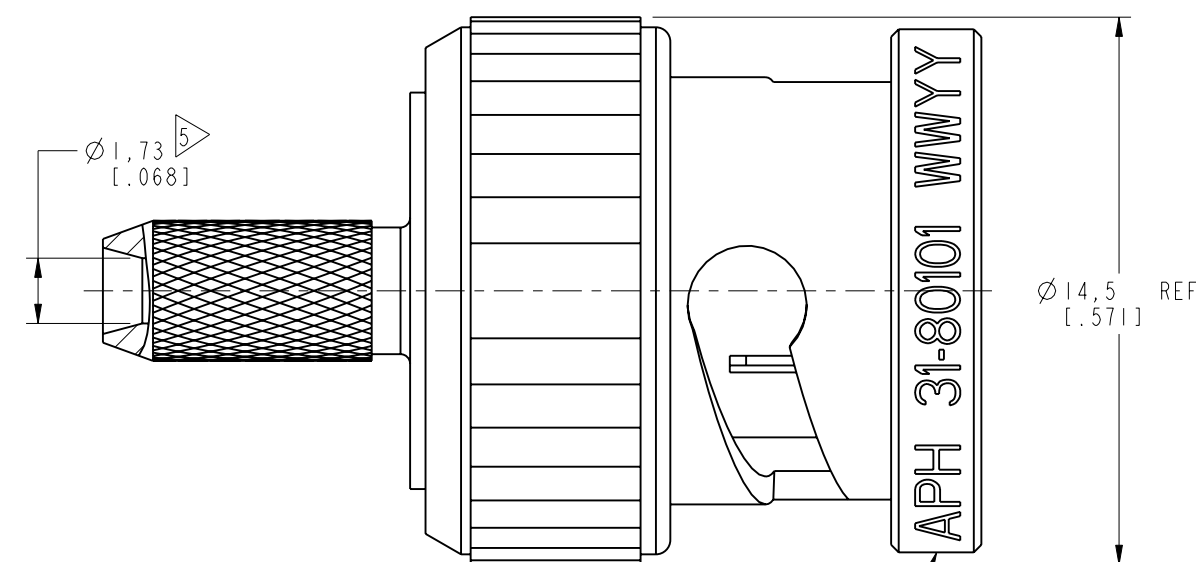
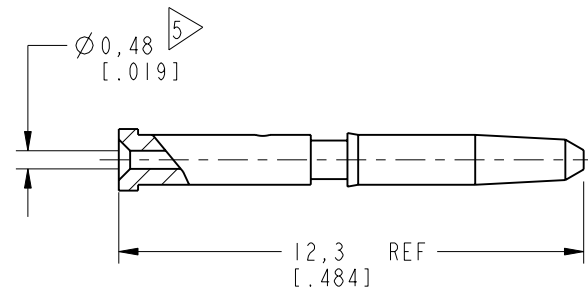
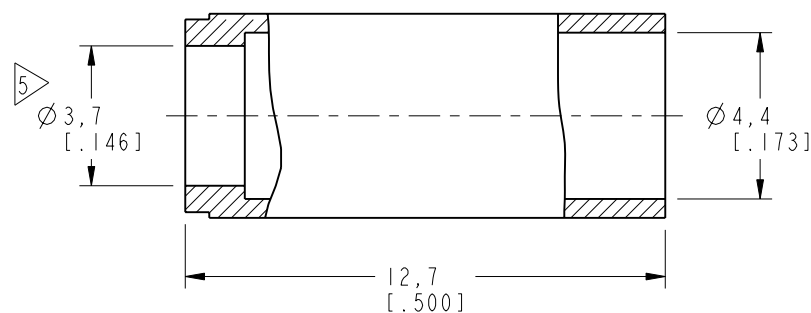
AFTER ASSEMBLY DIMENSIONS



RECOMMENDED CABLE STRIPPING DIMENSIONS



SCALE 1:500



INK STAMP: APH 31-80101 WWYY
DATE CODE

CUSTOMER OUTLINE DRAWING
ALL OTHER SHEETS ARE FOR INTERNAL USE ONLY

<p>UNLESS OTHERWISE SPECIFIED, DIMENSIONS ARE IN METRIC AND TOLERANCES ARE: <0.5mm ±0.05mm 0.5 - 6mm ±0.1mm 6 - 30mm ±0.2mm 30 - 120mm ±0.3mm ANGLES ±1°</p> <p>NOTICE - These drawings, specifications, or other data (1) are, and remain the property of Amphenol corp. (2) must be returned upon request; and (3) are confidential and not to be disclosed to any person other than those to whom they are given by Amphenol Corp. the furnishing of these drawings, specifications, or other data by Amphenol Corp., or to any other person to anyone for any purpose is not to be regarded by implication or otherwise in any manner licensing, granting rights to permitting such holder or any other person to manufacture, use or sell any product, process or design, patented or otherwise, that may in any way be related to or disclosed by said drawings, specifications, or other data.</p>	MATERIAL	DRAWN	DATE	<p>TITLE 75 OHM BNC PLUG FOR RG-179 CABLE</p>	<p>Amphenol RF www.amphenolrf.com</p>
	SEE NOTE	M. ZHANG	13-Jun-18		
<p>REFERENCE EAR # 1674 AND 611x-3996</p> <p>CONFIGURATION LEVEL: In Work</p> <p>FINISH</p>	APPROVED	DATE	<p>SCALE: 5.0:1.0 SHEET 2 OF 2</p>	DRAWING NO. 31-80101	
	S. HSIEH	13-Jun-18		ITEM NO. 31-80101	
	CAD FILE		DWG SIZE B	REV G	PART NO. 31-80101