

PLEASE CHECK WWW.MOLEX.COM FOR LATEST PART INFORMATION

Part Number: [0638234370](#)
Status: **Active**
Description: Tool Kit for CP 2.8 Receptacle Crimp Terminals
Replacement Part Number: <http://www.molex.com/molex/products/listview.jsp?channel=Products&sType=p&query=063823430063823-4300>

Documents:
[RoHS Certificate of Compliance \(PDF\)](#)

General

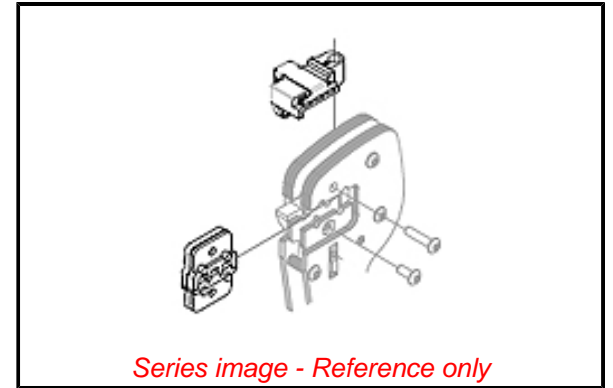
Product Family	Application Tooling
Series	T9999
Comments	See Tooling Specification (PDF) Above. Die sets are not sold separately; the complete hand tool needs to be ordered to obtain the die set 63823-4300
Function	Crimp
Geographic Area	Global
Level of Automation	Semi-Automatic
More Detailed Tech Information	applicationtooling@molex.com
Product Name	N/A
Replacement Part Number	63823-4300
Tool Type	Tool Kit
UPC	884982163232
Warranty Disclaimer	CAUTION: Molex tooling crimp specifications are valid only when used with Molex terminals and tooling manufactured by Molex and sold by Molex or authorized distributors ("Molex Tooling"). When using tooling other than Molex Tooling with Molex specific connector systems listed in our ATS documents, the Molex tooling qualification does not apply and the responsibility for full qualification of the connector system is that of the customer. Molex accepts no liability for connector performance or tooling support where tooling other than Molex Tooling is used or where Molex Tooling is modified.

Material Info

Engineering Number JDG11230

Reference - Drawing Numbers

Application Tooling Documents ATS-6382343HM



EU ELV

Not Reviewed

EU RoHS

Not Reviewed

REACH SVHC

Not Reviewed

Halogen-Free

Status

Not Reviewed

Need more information on product environmental compliance?

Email productcompliance@molex.com
Please visit the [Contact Us](#) section for any non-product compliance questions.

China ROHS	Not Reviewed
ELV	Not Reviewed
RoHS Phthalates	Not Reviewed

Search Parts in this Series

[T9999 Series](#)

Mouser Electronics

Authorized Distributor

Click to View Pricing, Inventory, Delivery & Lifecycle Information:

[Molex:](#)

[63823-4370](#)