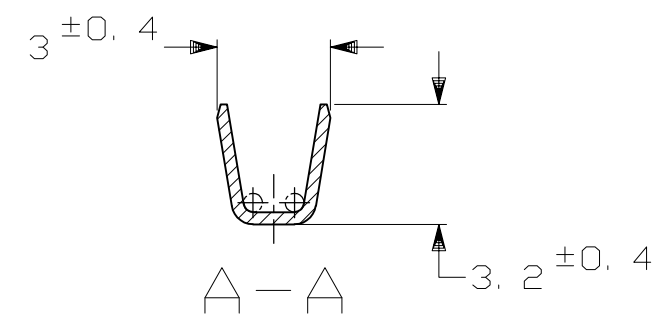
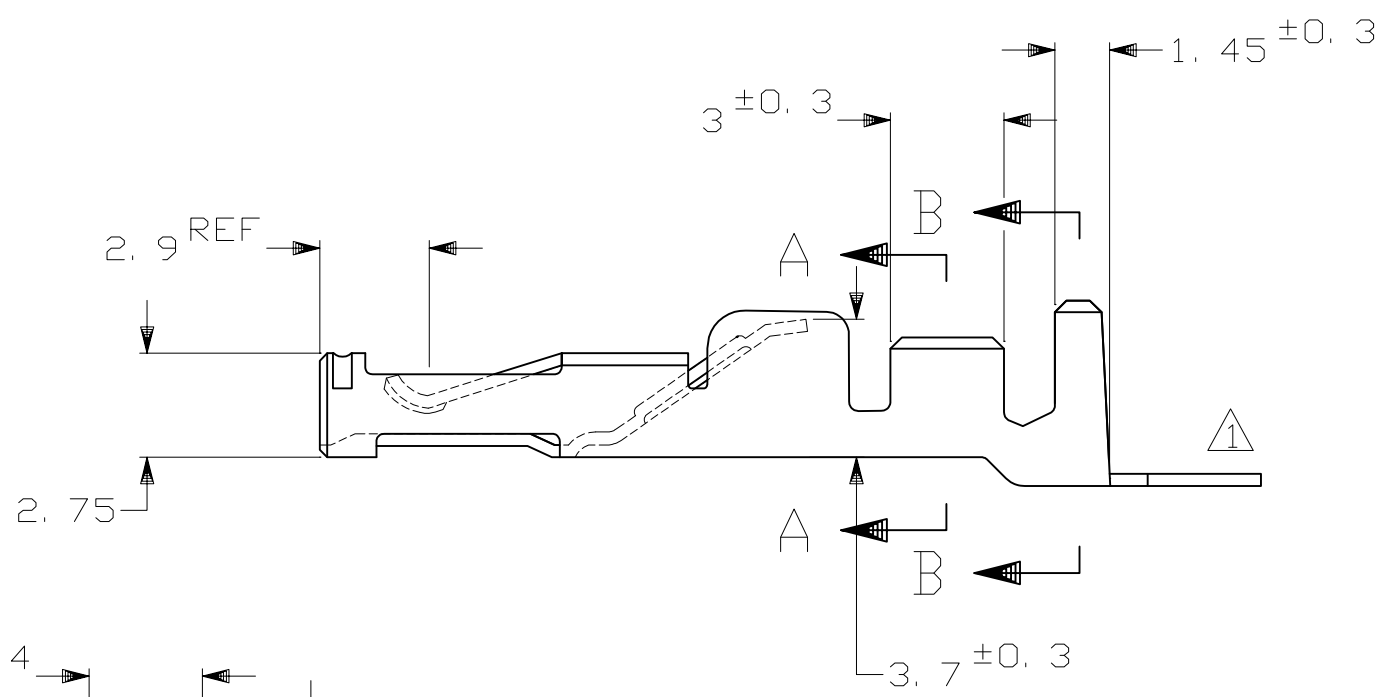
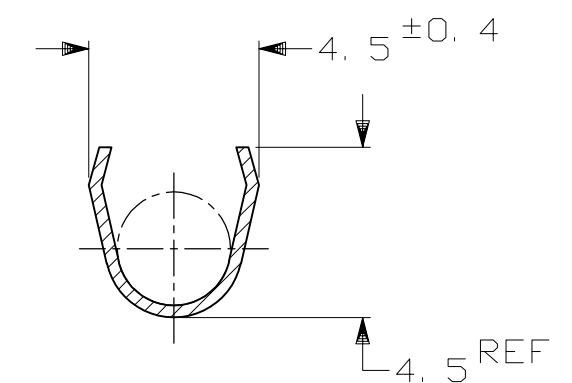
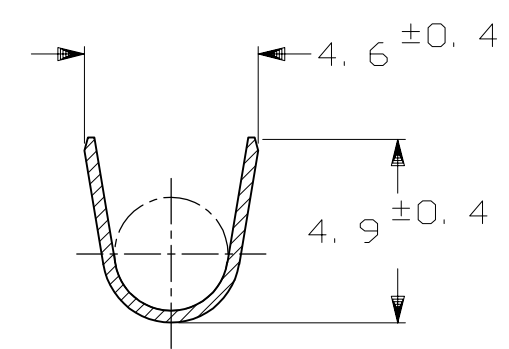
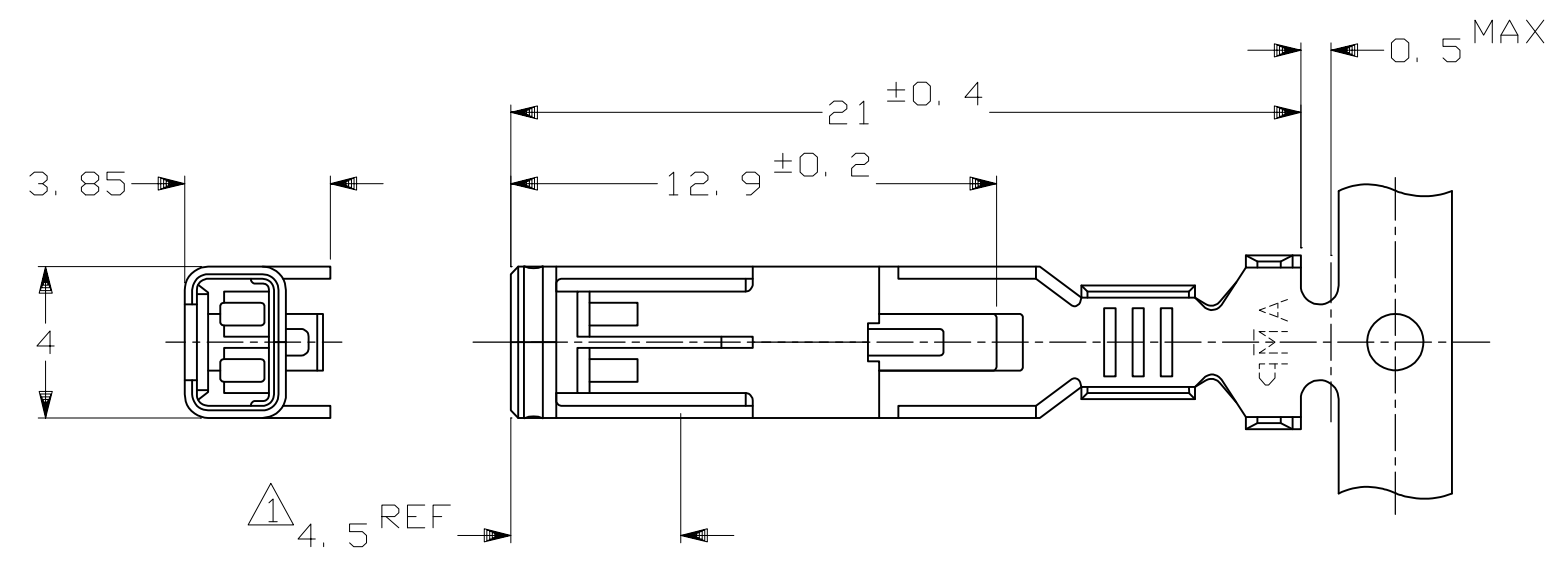


THIS DRAWING IS UNPUBLISHED. RELEASED FOR PUBLICATION
 © COPYRIGHT - By - ALL RIGHTS RESERVED.

LOC	DIST	REVISIONS		
J	-	P	LTR	DESCRIPTION
		E3		REVISED PER ECO-11-005140
				DATE
				28MAR11
				DWN
				RK
				APVD
				HMR



- 1. HOUSING PART NUMBER : 171358, 171892 etc.
 - 2. THE MATING TAB CONTACTS PART NUMBER : 170221, 170308 etc.
 - 3. REVERSE REEL PART NUMBER FOR 170286-1: 1-170286-1
 - 4. DIFFERENT PLATING THICKNESS PRODUCT FROM 170286-2.
- 1. 使用ハウジング型番 : 171358, 171892 他。
 - 2. 嵌合タブコンタクト型番 : 170221, 170308 他。
 - 3. 170286-1の逆巻き型番 : 1-170286-1
 - 4. 170286-2のめっき厚違い品。

170289-3	SELECTIVE GOLD PL	PH BRZ TEMP#4	170286-4 ④
170289-2	SELECTIVE GOLD PL	PH BRZ TEMP#4	170286-2
170289-1	PRE-TINNED	PH BRZ TEMP#4	170286-1
LOOSE PIECE No.	FINISH	MATERIAL	PART NUMBER

TOLERANCE UNLESS OTHERWISE SPECIFIED

一般公差

10 ≥	: ± 0.2
30 ≥ > 10	: ± 0.25
100 ≥ > 30	: ± 0.3
ANGLE : ± 0.3°	

WIRE RANGE

AWG NO. #20~#14 (0.5~2mm² SQ)

INSUL RANGE

2.2~3.4 DIA

THIS DRAWING IS A CONTROLLED DOCUMENT.

DIMENSIONS: 単位: 耗 mm	TOLERANCES UNLESS OTHERWISE SPECIFIED: 一般公差
MATERIAL 材料	FINISH 仕上
SEE TABLE	SEE TABLE

DWN T.SHINOHARA 19NOV07	STE TE Connectivity		NAME 名称
CHK K.BETSUI 19NOV07			
APVD K.BETSUI 19NOV07	MULTI INTER LOCK CONNECTOR RECEPTACLE		
PRODUCT SPEC 製品規格 108-5093, 108-5099	SIZE	CAGE CODE	DRAWING NO 番号
APPLICATION SPEC 取付適用規格 114-5004	A3	00779	G-170286
WEIGHT 0.6 g	RESTRICTED TO		—
CUSTOMER DRAWING	SCALE 尺度 5:1	SHEET 1 OF 1	REV E3

Mouser Electronics

Authorized Distributor

Click to View Pricing, Inventory, Delivery & Lifecycle Information:

[TE Connectivity:](#)

[170286-1 \(Cut Strip\)](#) [170286-1 \(Loose Piece\)](#)