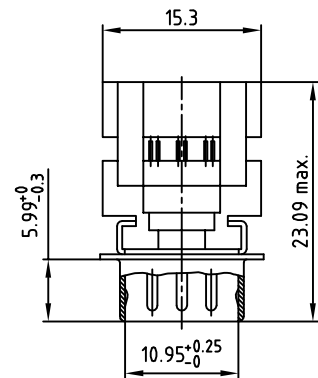
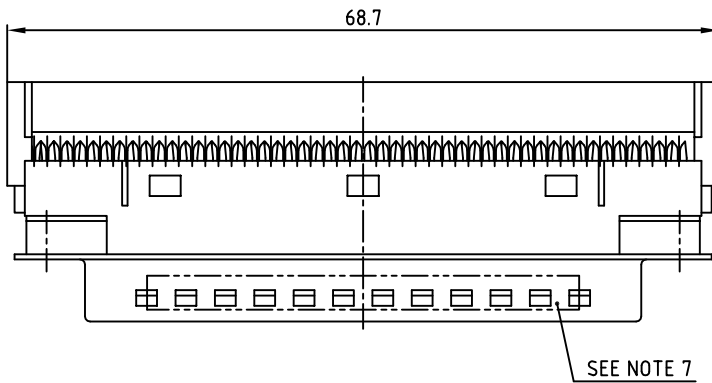
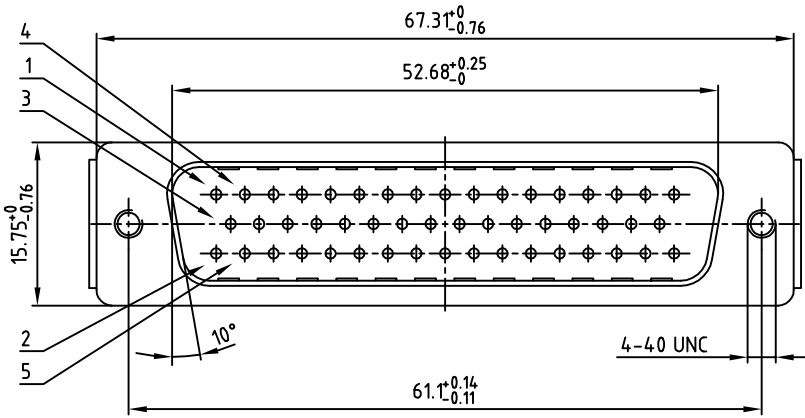


used for: D-SUB



NOTES:

1. METALSHELLS: STEEL; min. 315µin TIN over 40-80µin NICKEL
2. INSULATORS: PBT GF UL 94 V-0, GREY
3. CONTACTS: COPPER ALLOY
4. PLATING: GOLD FLASH over NICKEL
5. THREADED INSERTS: COPPER ALLOY; min. 200µin TIN over 80µin NICKEL
6. MAXIMUM TORQUE VALUE FOR THREAD: 6in.LB
7. CONNECTOR IS PART MARKED: 161A13539X CONEC ABC

Directive 2002/95/EC RoHS compliant

THIS DRAWING MAY NOT BE COPIED OR REPRODUCED IN ANY WAY, AND MAY NOT BE PASSED ON TO A THIRD PARTY, WITHOUT WRITTEN PERMISSION. OWNERSHIP AND COPYRIGHT OF CONEC GmbH DO NOT ALTER CAD DRAWING BY HAND

rev.	description	date	name
a	Original		

tolerance	scale:
	2:1
	material:
	SEE NOTES
	title:
	D-SUB IDC-Male for flat cable, 50 pos.
	dwg no:
	AutoCAD
	part no:
	161A13539X

2013	date	name
drawn	11.04.	Henneboel
appd.	12.04.	Fischer
norm.	DIN 41652	
d-old		
CONEC		
dwg no:		AutoCAD
part no:		161A13539X
DIN-A		3
sh:		1/1

Mouser Electronics

Authorized Distributor

Click to View Pricing, Inventory, Delivery & Lifecycle Information:

[CONEC:](#)

[161A13539X](#) [161A10019X](#)