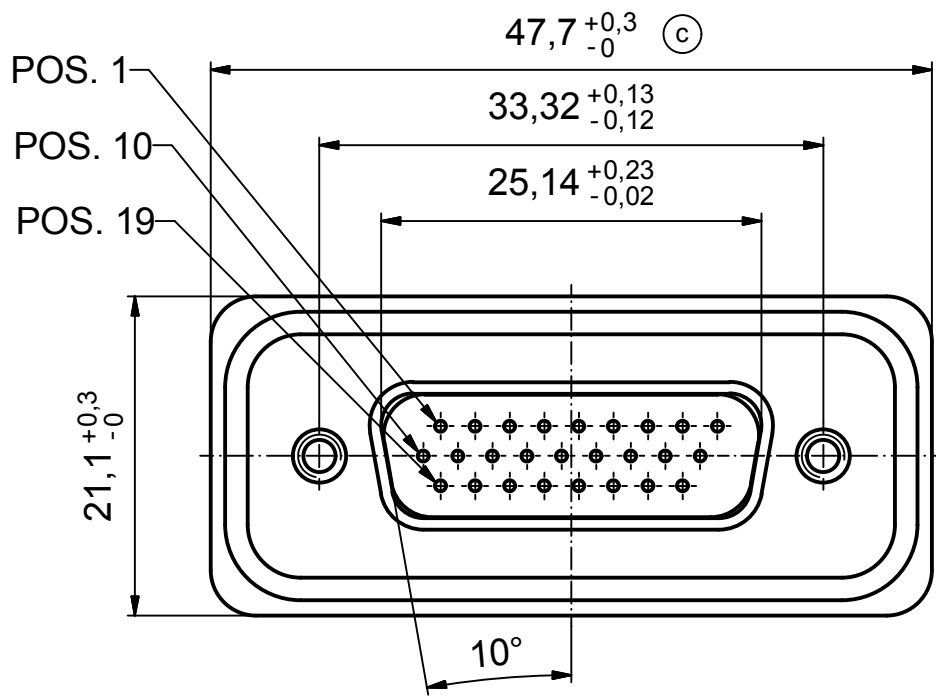
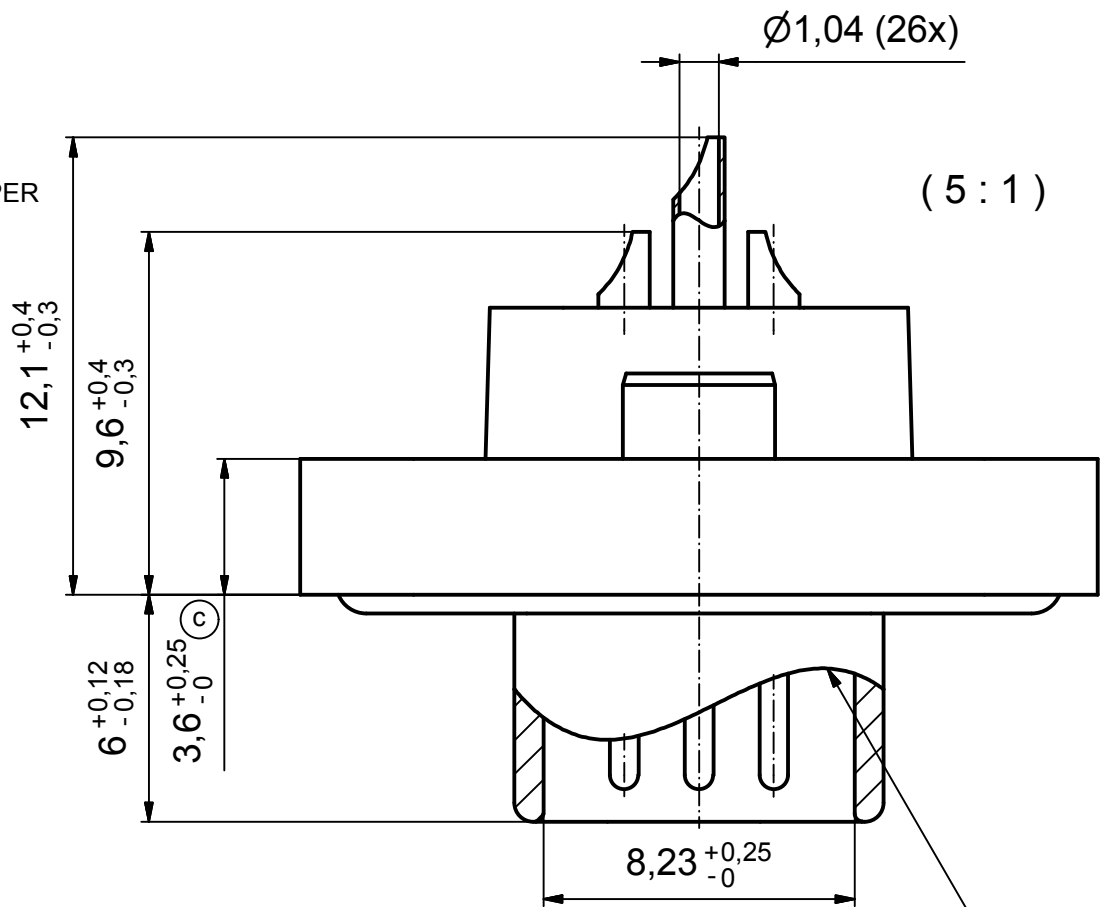


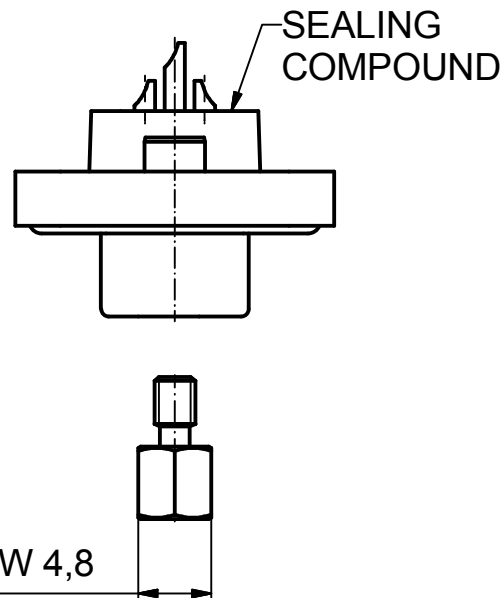
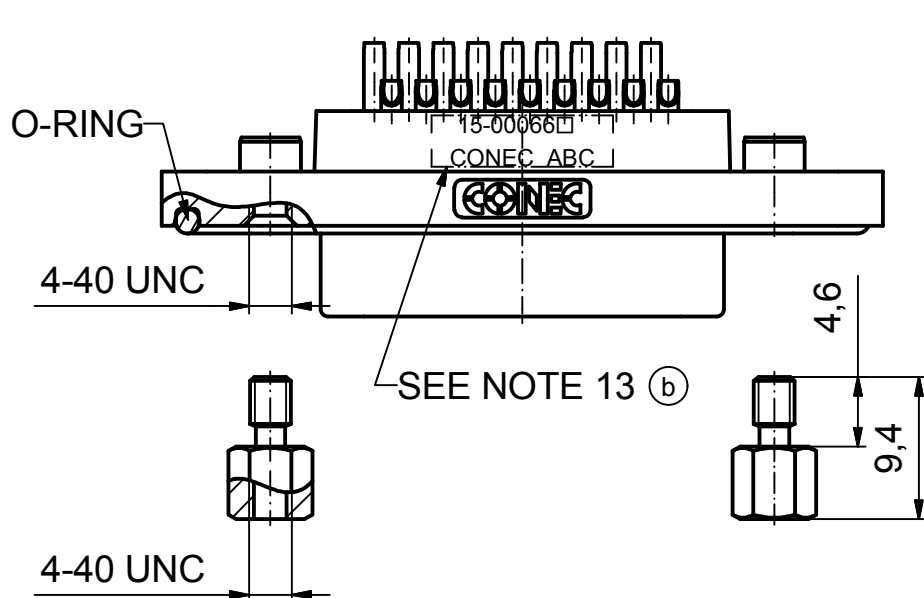
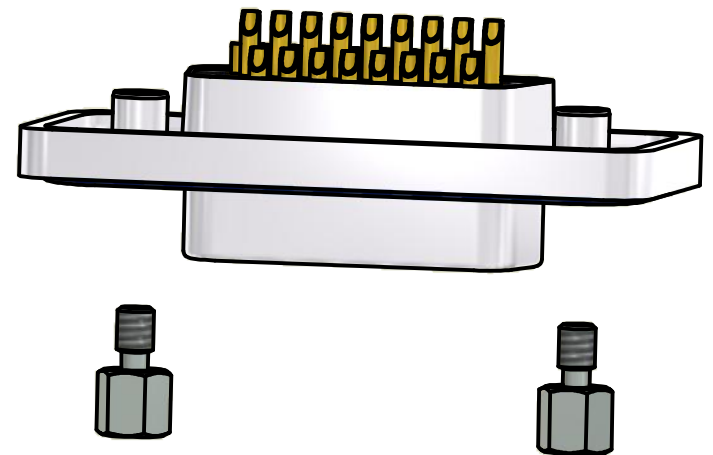
(b)

NOTES:

1. RECOMMENDED SOLDER INSTRUCTION SEE SHEET 2
2. IP RATING: IP 67
3. SEALED TO WITHSTAND PRESSURE UP TO 1,45 PSI FOR 30 MINUTES AFTER SOLDERING
4. METAL SHELL: ZINC DIE CAST; min. 50µm NICKEL PLATING over COPPER
5. INSULATORS: PBT GF UL 94 V-0, BLACK
6. O-RING: SILICONE PER ASTM D2000 70 SHORE A
7. RUBBER GASKET: TPE
8. SEALING COMPOUND: EPOXY RESIN UL 94 V-0; BLACK
9. CONTACTS: COPPER ALLOY PLATING (SEE PART NO):
 PLEASE ADD 1 for 30µm HARD GOLD over min. 50µm NICKEL
 PLEASE ADD 3 for 8µm HARD GOLD over min. 50µm NICKEL
 SOLDER CUP ACCEPTS CABLE AWG 22
10. HEXLOCKING SCREWS: STAINLESS STEEL
11. RECOMMENDED PANEL CUT-OUT ON SHEET 2
12. RECOMMENDED TORQUE FOR MOUNTING SCREW
 35Ncm (3.1 in.LB) / max.67Ncm (6 in.LB)
13. CONNECTOR IS PART MARKED: 15-00066 CONEC ABC



RUBBER GASKET PLACED ON TOP SURFACE OF MALE INSULATOR



(c) AT ALL TIMES WATER RESISTANT CONNECTORS NOT IN USE SHOULD BE COVERED WITH A CONEC WATER RESISTANT CAP OR WATER TIGHT HOOD.

Directive 2002/95/EC RoHS compliant

APPROVAL # FREIGABE # DEBLOCAGE # AUTORIZACION # APPROVAL	
CUSTOMER APPROVAL DATE:	
NAME:	TITLE:
COMPANY NAME:	
APPROVAL # FREIGABE # DEBLOCAGE # AUTORIZACION # APPROVAL	

THIS DRAWING MAY NOT BE COPIED OR REPRODUCED IN ANY WAY, AND MAY NOT BE PASSED ON TO A THIRD PARTY WITHOUT WRITTEN PERMISSION. OWNERSHIP AND COPYRIGHT OF CONEC GmbH			
DO NOT ALTER CAD DRAWING BY HAND			
3 x c	Ä 3435	01.10.09	HS
3 x b	Ä 3129	26.09.08	Petker
a	Origin		
rev.	description	date	name

tolerance		dim. in mm
date		
drawn	11.09.08	Schmidt
appd.	15.09.08	Fischer
norm		
d-old		

scale:	2:1 (5:1)	
material:	see notes	
title:	D-SUB MALE HD 26pos. SOLDER CUP with hexlocking screw	
dwg no:	Inventor 10	DIN-A3
	15K1A272	sh: 1
part no:	15-00066 (see note 9) (b)	



Mouser Electronics

Authorized Distributor

Click to View Pricing, Inventory, Delivery & Lifecycle Information:

[CONEC:](#)

[15-000663](#)