
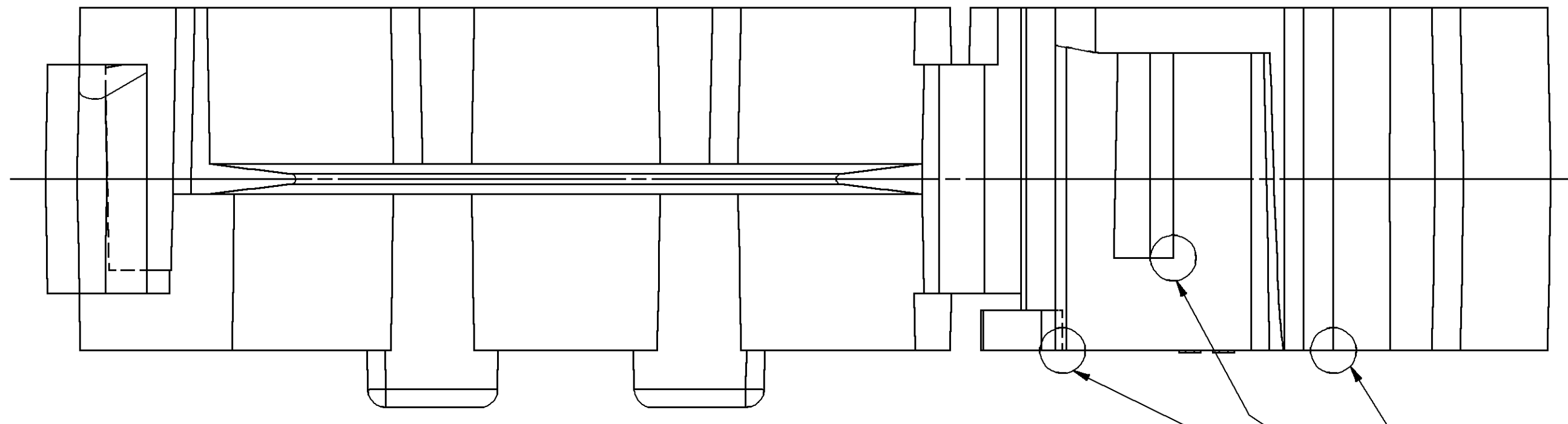
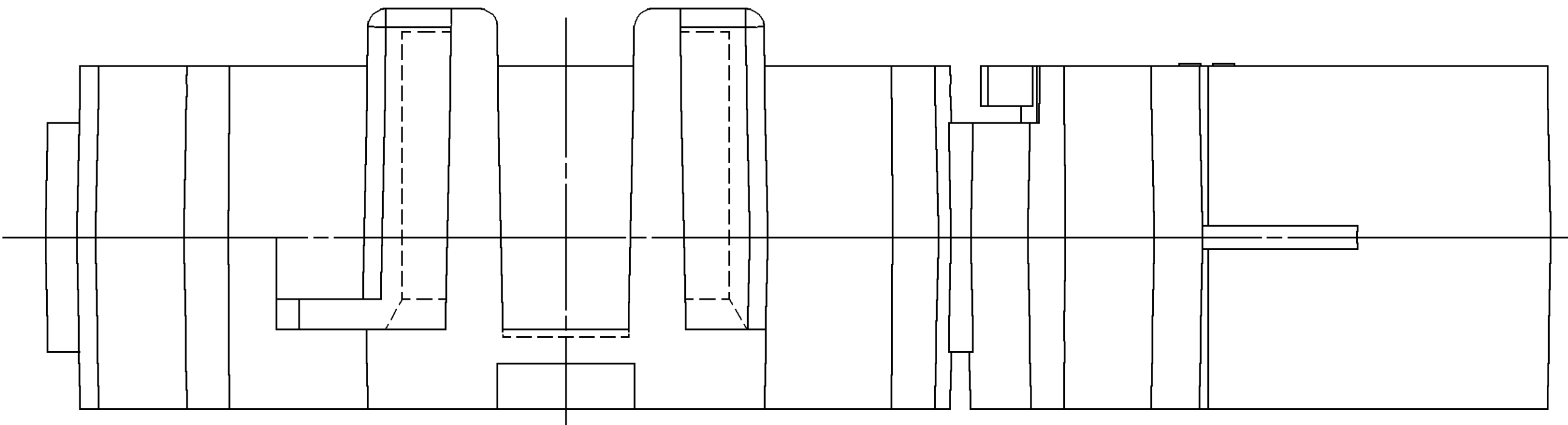
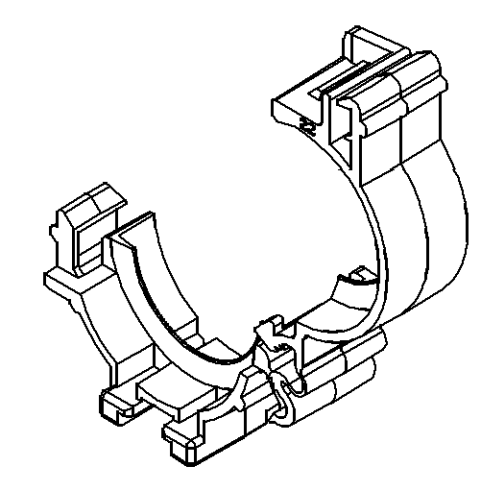
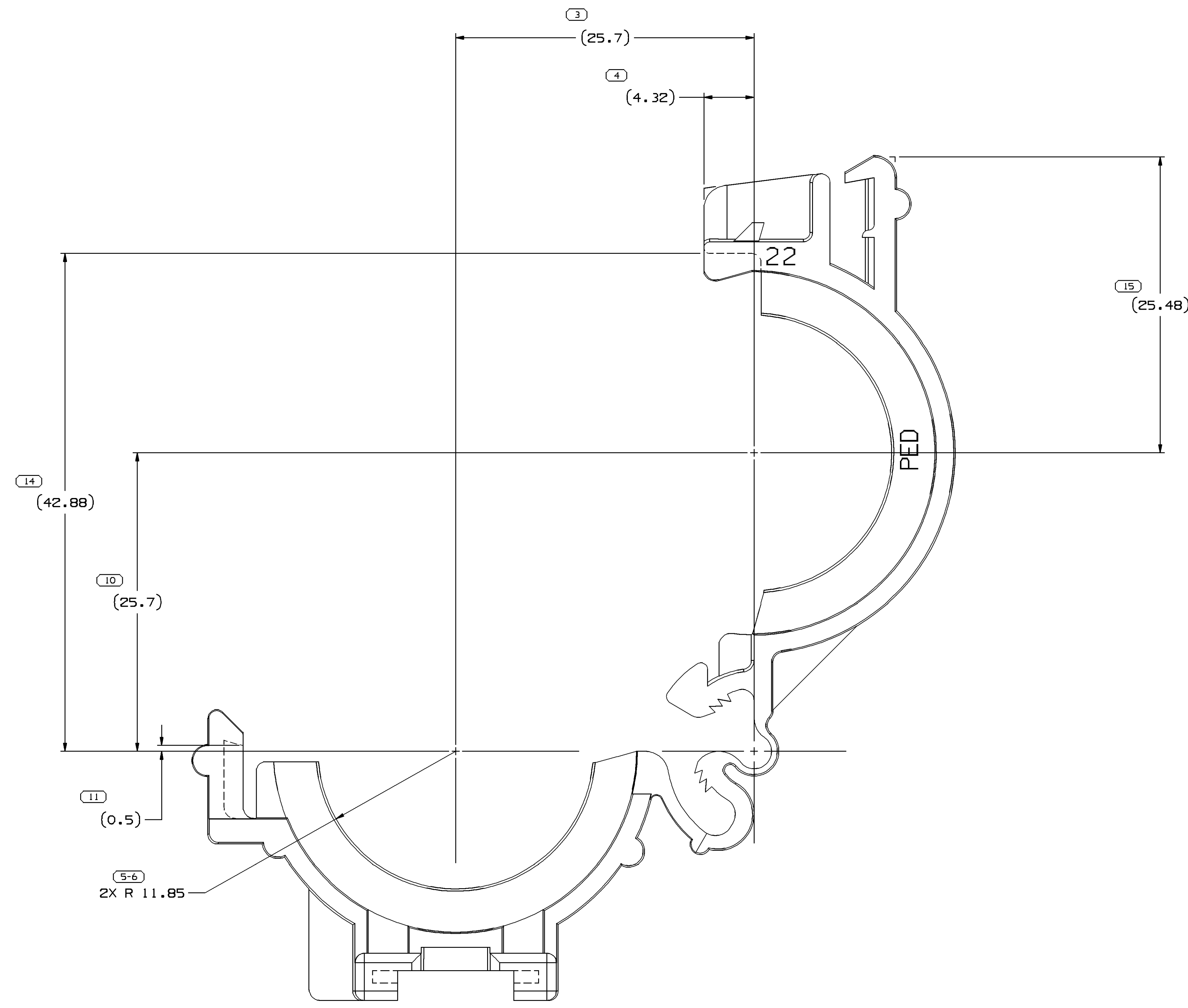
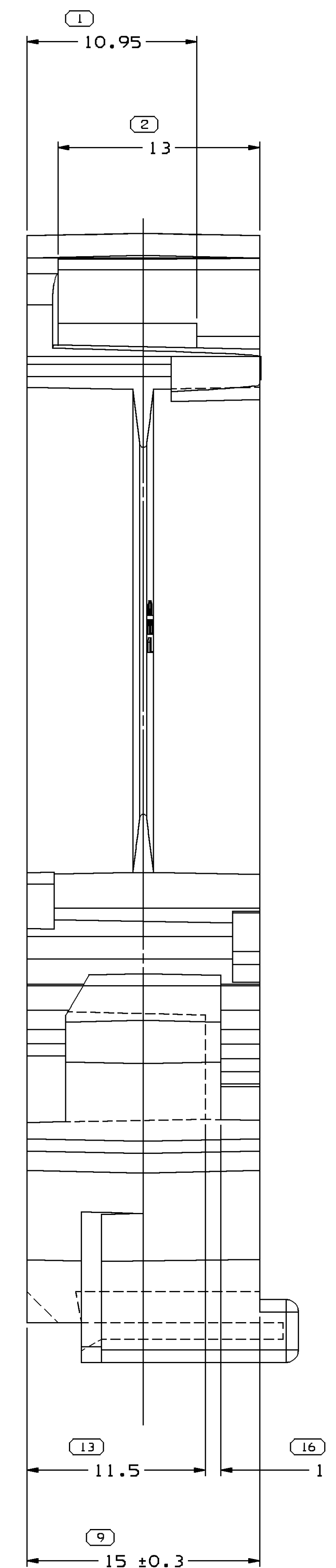


SYMBOL DEFINITION		MISSING NUMBERS		DWG STATUS				REVISION HISTORY				AUTH		DR		AP/VD	
A DIMENSION WITHOUT AN INSPECTION REPORT SYMBOL  DOES NOT REQUIRE INSPECTION. IT MAY BE CONTROLLED ON AN INDIVIDUAL COMPONENT DRAWING		TOTAL NO. OF SYMBOLS ON DRAWING	13	DATE	STG	REV	N/P	CHG	ZONE	CLEARED REV COLUMN; REVISED GRAPHICS, NOTE #2 AND MAT'L SPEC WAS R0067547				277503	JBD	JVM	TP
		LAST NO. USED	16	10MRO6	R	04	-	-									



 BURN MARKS PERMISSIBLE THESE AREAS



NOTES

- UNLESS OTHERWISE SPECIFIED AND/OR INDICATED:  
DIMENSIONS ARE TO FACE OF VIEW SHOWN AND AUTOMATICALLY ROUNDED BY COMPUTER FOR INSPECTION (SEE MATH MODEL FOR PRECISE DIMENSIONS). FOR ALL OTHER DIMENSIONS NOT SHOWN BUT REQUIRED FOR TOOL BUILD, SEE MATH MODEL FOR PRECISE TOOL PATH DATA.
- MATERIAL RECYCLING CODE >PA66< PER SAE J1344 TO APPEAR ON PART, OPTIONAL.

PART DRAWING	
STYLE	
VOLUME 1041	DISTR CODE
5,432	D
UNLESS OTHERWISE SPECIFIED	
THIS DOCUMENT IS IN ACCORDANCE WITH ASME Y14.5M-1994 AS MODIFIED BY THE IN-SUPPLY DIMENSIONING AND TOLERANCE ADDENDUM-2009. SEPARATE NOTATIONS OF FEATURES MAY BE OBTAINED SEPARATELY PER POLARIS OF DATUM REFERENCES.	
ALL DIMENSIONS ARE IN MILLIMETERS	
REFERENCE	12015876

PROCESS SENSITIVE DIMENSION	
DIMENSIONS ENCLOSED IN ( ) INDICATE REFERENCE DIMENSIONS AND NO TOLERANCE LIMITS ARE ESTABLISHED	
DIMENSIONAL RANGE (MM)	CHDRY
FROM 0 > 20 > 30 > 70	E
TO 20 30 70 100 > 100	
TOLERANCE UNLESS OTHERWISE SPECIFIED	
±0.151 ±0.2 ±0.3 ±0.4 ±0.5	
ANGULAR TOLERANCE 2°	

**DELPHI**  
DELPHI PACKARD ELECTRIC SYSTEMS  
WREN, OH

DR	DATE
APV01 A. ARZATE	02AUG00
APV02 G.G. IZQUIERDO	08AUG00
APV03 ERIC TRACEY	11AUG00
APV04	
APV05	
SUBSTANCES OF CONCERN AND RECYCLED CONTENT PER DELPHI 10949001	
MATERIAL W3592001 PA66 HS 1M BLK	
DRAWING NAME	
MOUN CLIP CDT 22MM SLOT	
DRAWING NUMBER	
12033964	
SIZE	SCALE
A0	5:1
FRAME NO	SHEET NO
1 OF 1	1 OF 1
STG	REV
R	04

# Mouser Electronics

Authorized Distributor

Click to View Pricing, Inventory, Delivery & Lifecycle Information:

[Aptiv:](#)

[12033964](#)