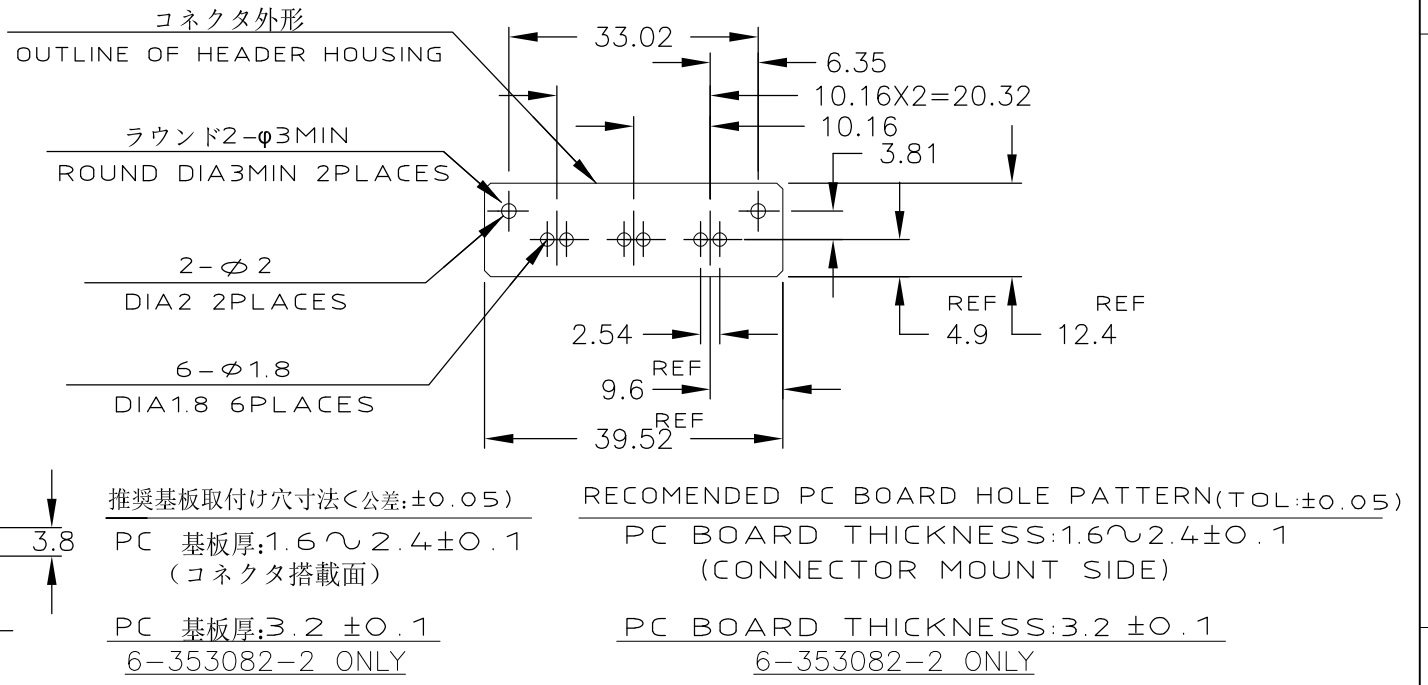
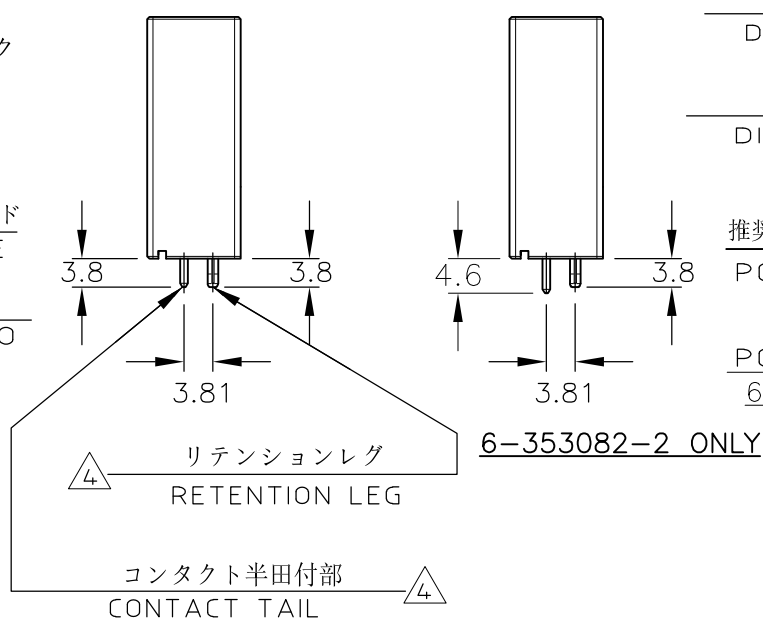
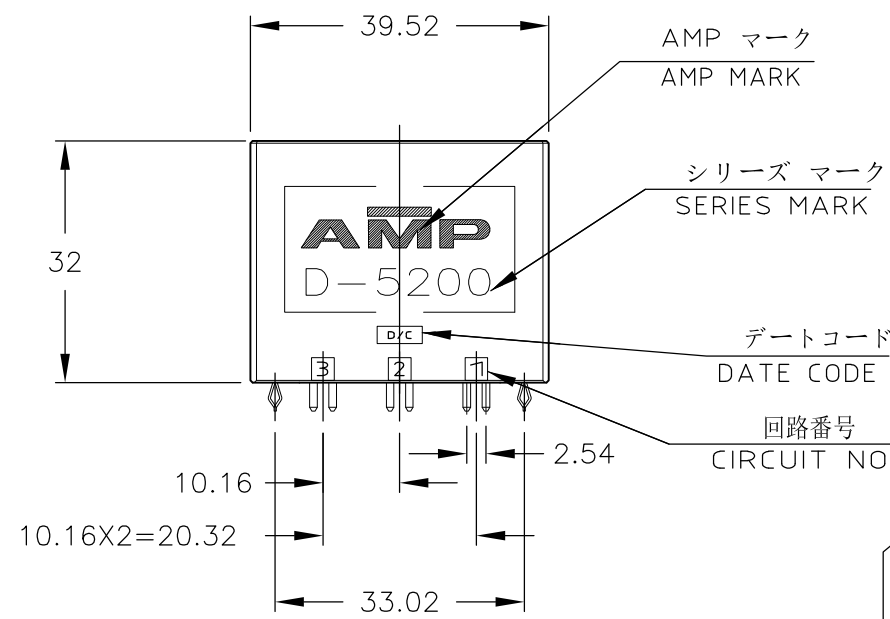
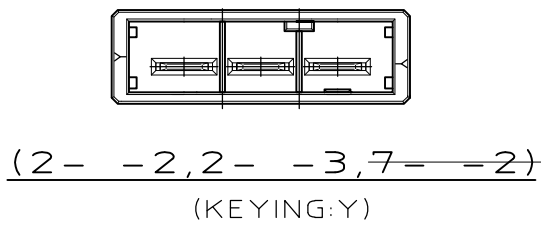
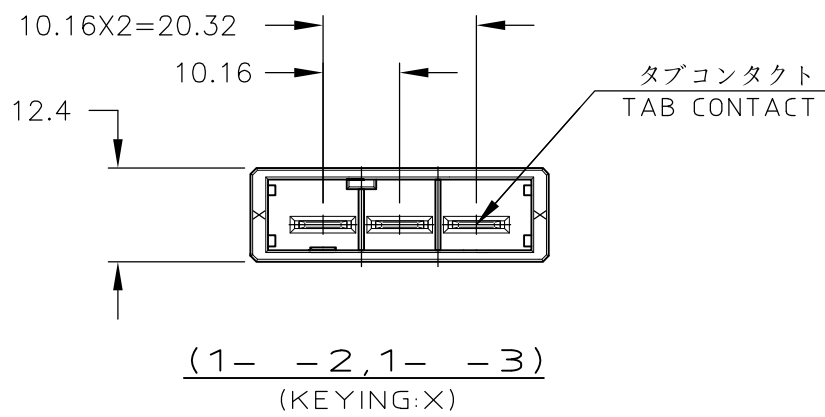


THIS DRAWING IS UNPUBLISHED. RELEASED FOR PUBLICATION
 © COPYRIGHT 1996 By Tyco Electronics Japan G.K. ALL RIGHTS RESERVED.

LOC	DIST	REVISIONS					
		P	LTR	DESCRIPTION	DATE	DWN	APVD
—	—		G	REVISED	23OCT2012	H.M	N.Y



NOTES

- MATERIAL:HOUSING:GLASS FILED THERMO PLASTIC ,POLYESTER(94V-0)
TAB CONTACT:COPPER ALLOY
RETENTION LEG:BRASS
- FINISH(CONTACT AREA):0.38μmMIN GOLD PLATING OVER Ni PLATING
- FINISH(CONTACT AREA):0.76μmMIN GOLD PLATING OVER Ni PLATING
- FINISH(RETENTION LEG): TIN PLATED (CONTACT TAIL) OVER NICKEL

注記

- 材料 ハウジング:ガラス入り熱可塑性ポリエステル樹脂(94V-0)
タブコンタクト:銅合金
リテンションレグ:黄銅
- めっき コンタクト全面Ni下地
接触部 0.38μm MIN金めっき
- めっき コンタクト全面Ni下地
接触部 0.76μm MIN金めっき
- めっき リテンションレグとコンタクト半田付部
: ニッケル下地の上にスズめっき

KEY TYPE	コンタクトのめっき (FINISH)	色 COLOR	製品番号 (PART NO.)	
Y	△4 △2	NATURAL	-7-353082-2	OBSOLETE
	△4 △3	BLACK	2-353082-3	
	△4 △2	BLACK	2-353082-2	
X	△4 △3	BLACK	1-353082-3	
	△4 △2	BLACK	6-353082-2	
	△4 △2	BLACK	1-353082-2	

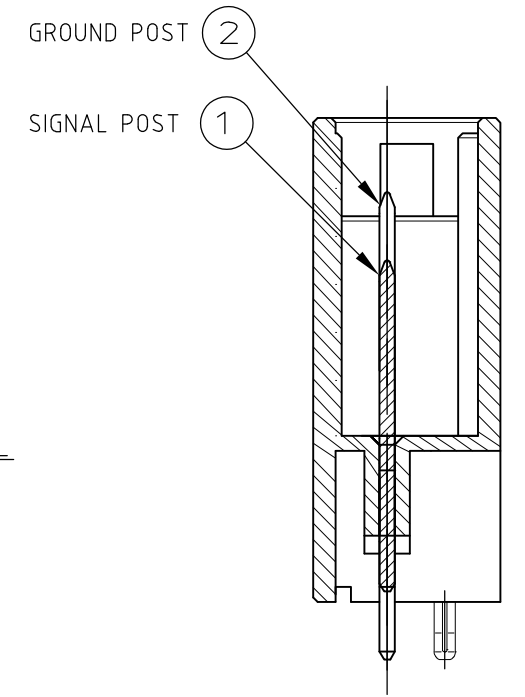
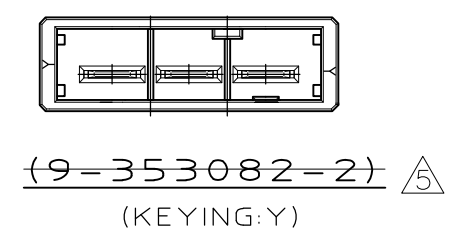
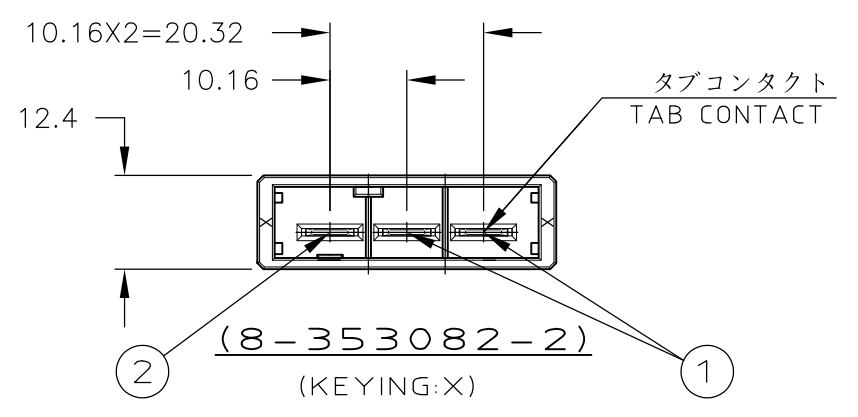
THIS DRAWING IS A CONTROLLED DOCUMENT.

DIMENSIONS: mm	TOLERANCES UNLESS OTHERWISE SPECIFIED: 0-PLC ± 10 ± 0.3 1-PLC ± 30 >10 ± 0.35 2-PLC ± 100 >30 ± 0.4 3-PLC ± 4-PLC ± ANGLES ± 3°	DWN K.IKEDA 04JUL1996	TE Connectivity
MATERIAL SEE NOTE	FINISH SEE NOTE	CHK Y.ISHIKAWA 04JUL1996	
		APVD F3 04JUL1996	
		PRODUCT SPEC 108-5453	
		APPLICATION SPEC 114-5206	NAME SINGLE ROW HEADER ASSY 3P V-TYPE DYNAMIC D-5200S
		WEIGHT	SIZE A3 CAGE CODE 00779 DRAWING NO C-353082 RESTRICTED TO -
		CUSTOMER DRAWING	SCALE 1:1 SHEET 1 OF 2 REV G

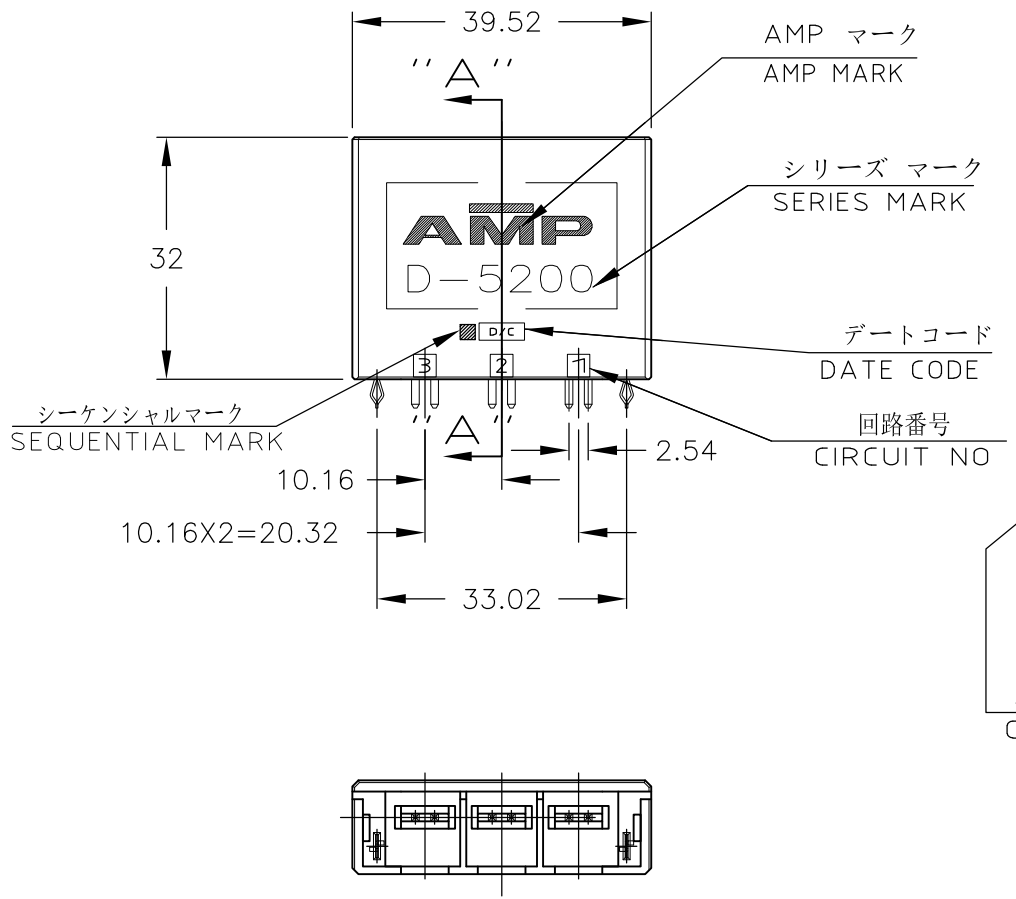
THIS DRAWING IS UNPUBLISHED. RELEASED FOR PUBLICATION
 © COPYRIGHT 1996 By Tyco Electronics Japan G.K. ALL RIGHTS RESERVED.

LOC	DIST	REVISIONS			
P	LTR	DESCRIPTION	DATE	DWN	APVD
-	-	SEE SHEET 1	-	-	-

8,9-353082-2; AS SHOWN
 SEQUENTIAL TYPE

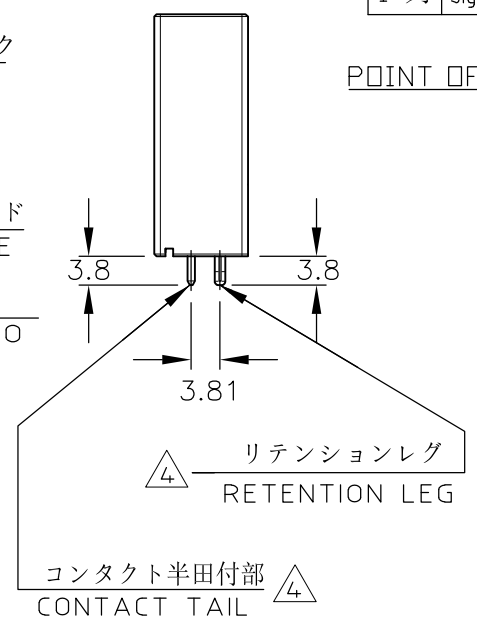


SECT "A" - "A"
 (SCALE: 2-1)



		回路番号		
		1	2	3
1 列	①	① Signal	① Signal	② Ground

POINT OF SEQUENTIAL



NOTES

- MATERIAL: HOUSING: GLASS FILED THERMO PLASTIC, POLYESTER(94V-0)
 TAB CONTACT: COPPER ALLOY
 RETENTION LEG: BRASS
- FINISH (CONTACT AREA): 0.38μm MIN GOLD PLATING OVER Ni PLATING
- FINISH (CONTACT AREA): 0.76μm MIN GOLD PLATING OVER Ni PLATING
- FINISH (RETENTION LEG): TIN PLATED (CONTACT TAIL) OVER NICKEL

注記

- 材料 ハウジングガラス入り熱可塑性ポリエステル樹脂(94V-0)
 タブコンタクト: 銅合金
 リテンションレグ: 黄銅
- めっきコンタクト全面Ni下地
 接触部 0.38μm MIN 金めっき
- めっきコンタクト全面Ni下地
 接触部 0.76μm MIN 金めっき
- めっきリテンションレグとコンタクト半田付部
 : ニッケル下地の上にスズめっき
- OBSOLETE PARTS: OBSOLETE CIS STREAMLINING PER D.RENAUD/D.SINISI

Y				
X				
KEY TYPE	コンタクトのめっき (FINISH)	色 COLOR	製品番号 (PART NO.)	

OBSOLETE (5)

THIS DRAWING IS A CONTROLLED DOCUMENT.		DWN K.IKEDA 04JUL1996	TE Connectivity	
		CHK Y.ISHIKAWA 04JUL1996		
		APVD F3 04JUL1996	NAME SINGLE ROW HEADER ASSY 3P V-TYPE DYNAMIC D-5200S	
DIMENSIONS: mm		TOLERANCES UNLESS OTHERWISE SPECIFIED:		PRODUCT SPEC 108-5453
		0 PLC ± 10 ± 0.3 1 PLC ± 30 > 10 ± 0.35 2 PLC ± 100 > 30 ± 0.4 3 PLC ± 4 PLC ANGLES ± 3°		APPLICATION SPEC 114-5206
MATERIAL SEE NOTE		FINISH SEE NOTE		WEIGHT A3 00779 C-353082
CUSTOMER DRAWING			SCALE 1:1	SHEET 2 OF 2
			RESTRICTED TO	REV G

Mouser Electronics

Authorized Distributor

Click to View Pricing, Inventory, Delivery & Lifecycle Information:

[TE Connectivity:](#)

[2-353082-2](#)