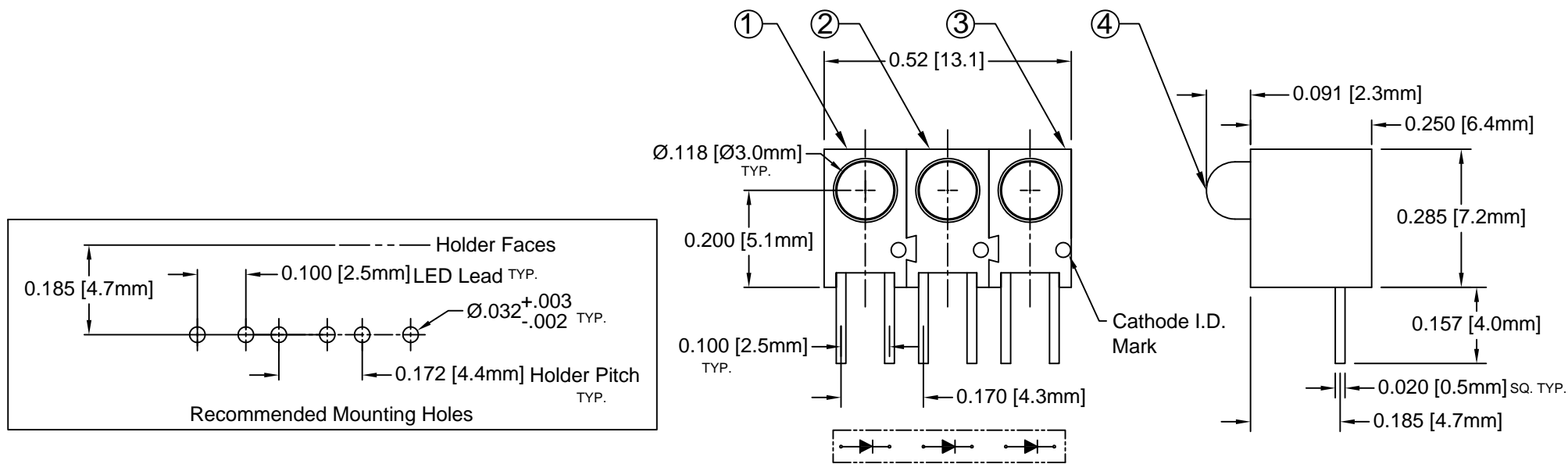


ITEM	Q'TY	PART NUMBER	PART DESCRIPTION
1	1	H-102C	T-1 (3mm) LED Holder, 90° Mount, Interlocking Left End
2	1	H-100C	T-1 (3mm) LED Holder, 90° Mount, Interlocking Center
3	1	H-103C	T-1 (3mm) LED Holder, 90° Mount, Interlocking Right End
4	3	3GD-S	T-1 (3mm) N-Flange LED

REV.	DESCRIPTION	DATE	APPROVED
A	Engineering Release	09/08/03	M. C.
B	Updated Template	08/16/07	M. C.
C	LED Update	10/17/11	T. Y.
D	Engineering Update w/o Changes	06/20/16	J. C.



LED Part No.	Chip			Lens Appearance	Absolute Max. Ratings				Electro-Optical Data @ 20mA			Viewing Angle 2 Θ <sub>1/2</sub> (Deg)
	Material	Peak Wave Length λ <sub>p</sub> (nm)	Emitted Color		Δλ (nm)	Pd (mW)	I <sub>f</sub> (mA)	Peak I <sub>f</sub> (mA)	V <sub>f</sub> (V)		I <sub>v</sub> (mcd)	
									TYP	MAX	TYP	
3GD-S	GaP/GaP	568	GREEN	DIFFUSED	-	80	30	150	2.1	2.8	25.0	40

## ABSOLUTE MAXIMUM RATINGS (Ta = 25°C)

REVERSE VOLTAGE \_\_\_\_\_ 5V  
 REVERSE CURRENT (VR=5V) \_\_\_\_\_ 100μA  
 OPERATING TEMPERATURE RANGE \_\_\_\_\_ -25°C ~ 85°C  
 STORAGE TEMPERATURE \_\_\_\_\_ -30°C ~ 100°C  
 LEAD SOLDERING TEMPERATURE (1/16" FROM BODY) \_\_\_\_\_ 260°C for 5 Seconds

STANDARD TOLERANCE (UNLESS OTHERWISE SPECIFIED)		 4 THOMAS, IRVINE, CA. 92618 TEL: (949) 951-8808 FAX: (949) 951-3974	
DECIMALS	ANGULAR		
.X ± .1	X° ± 1°		
.XX ± .02		 <b>TITLE:</b> T-1 (3mm) TRI-STATION ASSEMBLY	
.XXX ± .010			
DESIGNED: <b>D. Green</b>	DATE: <b>09/08/03</b>	<b>PART NO:</b> H103CGD	REVISION: <b>D</b>
CHECKED: <b>M. Chen</b>	DATE: <b>09/08/03</b>	<b>CAGE CODE :</b> 32559	<b>SHEET # 1 OF 1</b>
CAD GENERATED DOCUMENT. DO NOT MEASURE DRAWING.			

# Mouser Electronics

Authorized Distributor

Click to View Pricing, Inventory, Delivery & Lifecycle Information:

[BIVAR:](#)

[H103CGD](#)