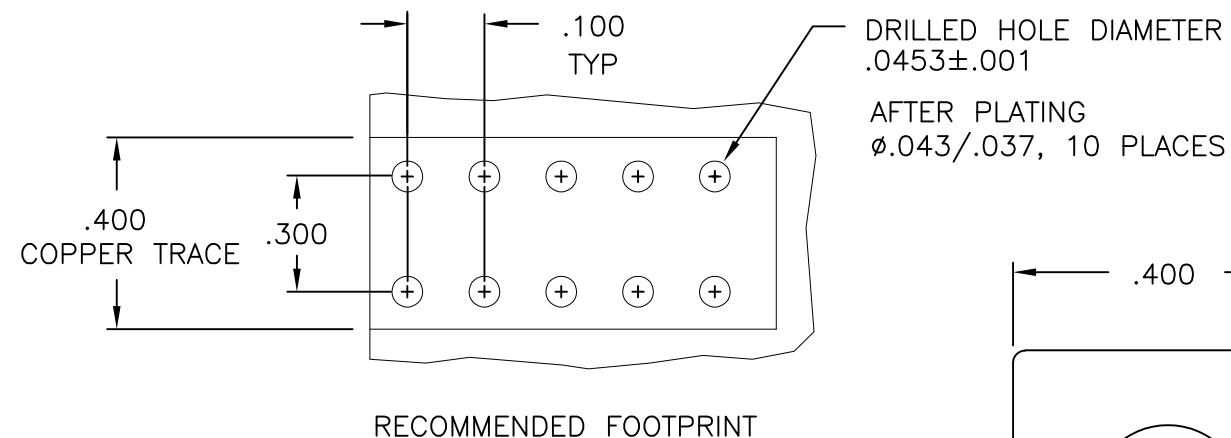


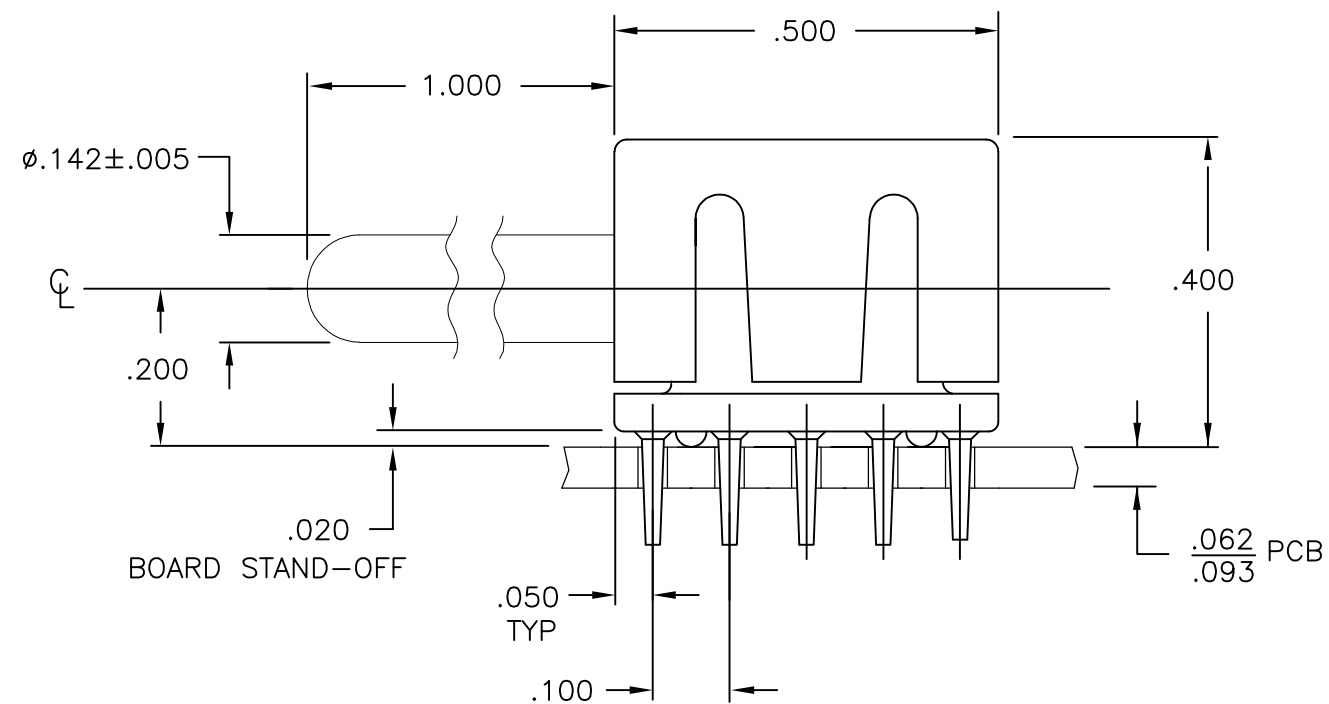
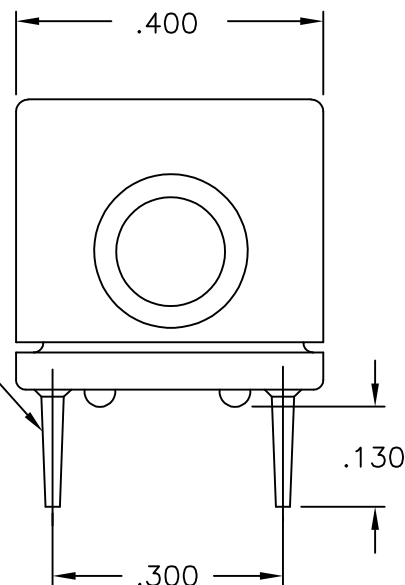
THIS DRAWING IS UNPUBLISHED. RELEASED FOR PUBLICATION
 © COPYRIGHT BY TYCO ELECTRONICS CORPORATION. ALL RIGHTS RESERVED.

| LOC | DIST | REVISIONS | | | | | |
|-----|------|-----------|-----|-----------------------|-----------|-----|------|
| GP | 00 | P | LTR | DESCRIPTION | DATE | DWN | APVD |
| | | B | | REV PER ECO-10-020184 | 11JAN2011 | RG | NE |



DRILLED HOLE DIAMETER
 $.0453 \pm .001$
 AFTER PLATING
 $\phi.043/.037$, 10 PLACES

SOLDER POST
 10 PLACES



- PART NUMBER CHANGES AND/OR DESIGN CHANGES AFFECTING ITEM INTERCHANGEABILITY REQUIRE PRIOR TYCO APPROVAL AND AUTHORIZATION BY REVISION TO THIS DRAWING.
- ITEMS PROVIDED TO THIS SPECIFICATION SHALL BE IDENTIFIED ON CONTAINER WITH THE FOLLOWING INFORMATION: PART NUMBER & DATE CODE OF MFR.
- MATERIALS: INSULATOR - POLYESTER, GLASS FILLED UL 94 V-0 RATED OR EQUIV.
 MODULE - ZINC/ALUM CASTING
 CROWN - BERYLLIUM COPPER
 CONTACT - BRASS ALLOY
- FINISH: INSULATOR - COLOR BLACK.
 MODULE - SILVER PLATED .000200 MIN THK. OVER NICKEL .000040 MIN THK.
 CROWN - GOLD PLATED .000030 MIN THK. OVER NICKEL .000040 MIN THK.
 CONTACT - SILVER PLATED .000200 MIN THK. OVER NICKEL .000040 MIN THK.
- REFERENCE ELCON PART NO. 269-52-00500.

| | |
|-------------|-------------|
| AS SHOWN | 6643433-1 |
| DESCRIPTION | PART NUMBER |

| | | | | |
|--|--|----------------------------|---|--|
| THIS DRAWING IS A CONTROLLED DOCUMENT. | | DWN R.GRZYBOWSKI 15JUN2006 | Tyco Electronics Corporation Harrisburg, PA 17105-3608 | |
| DIMENSIONS: INCHES | | CHK S.FLICKINGER 15JUN06 | NAME S.FLICKINGER | |
| TOLERANCES UNLESS OTHERWISE SPECIFIED: | | APVD S.FLICKINGER | PRODUCT SPEC | |
| 0 PLC ± - | | APPLICATION SPEC | | |
| 1 PLC ± - | | SIZE A3 | | |
| 2 PLC ± .02 | | CAGE CODE 00779 | | |
| 3 PLC ± .010 | | DRAWING NO C-6643433 | | |
| 4 PLC ± - | | RESTRICTED TO | | |
| ANGLES ± .5 | | SCALE 1:1 | | |
| MATERIAL - | | SHEET 1 OF 1 | | |
| FINISH - | | REV B | | |
| | | CUSTOMER DRAWING | | |

ELCON ICICON

Mouser Electronics

Authorized Distributor

Click to View Pricing, Inventory, Delivery & Lifecycle Information:

[TE Connectivity:](#)

[6643433-1](#)