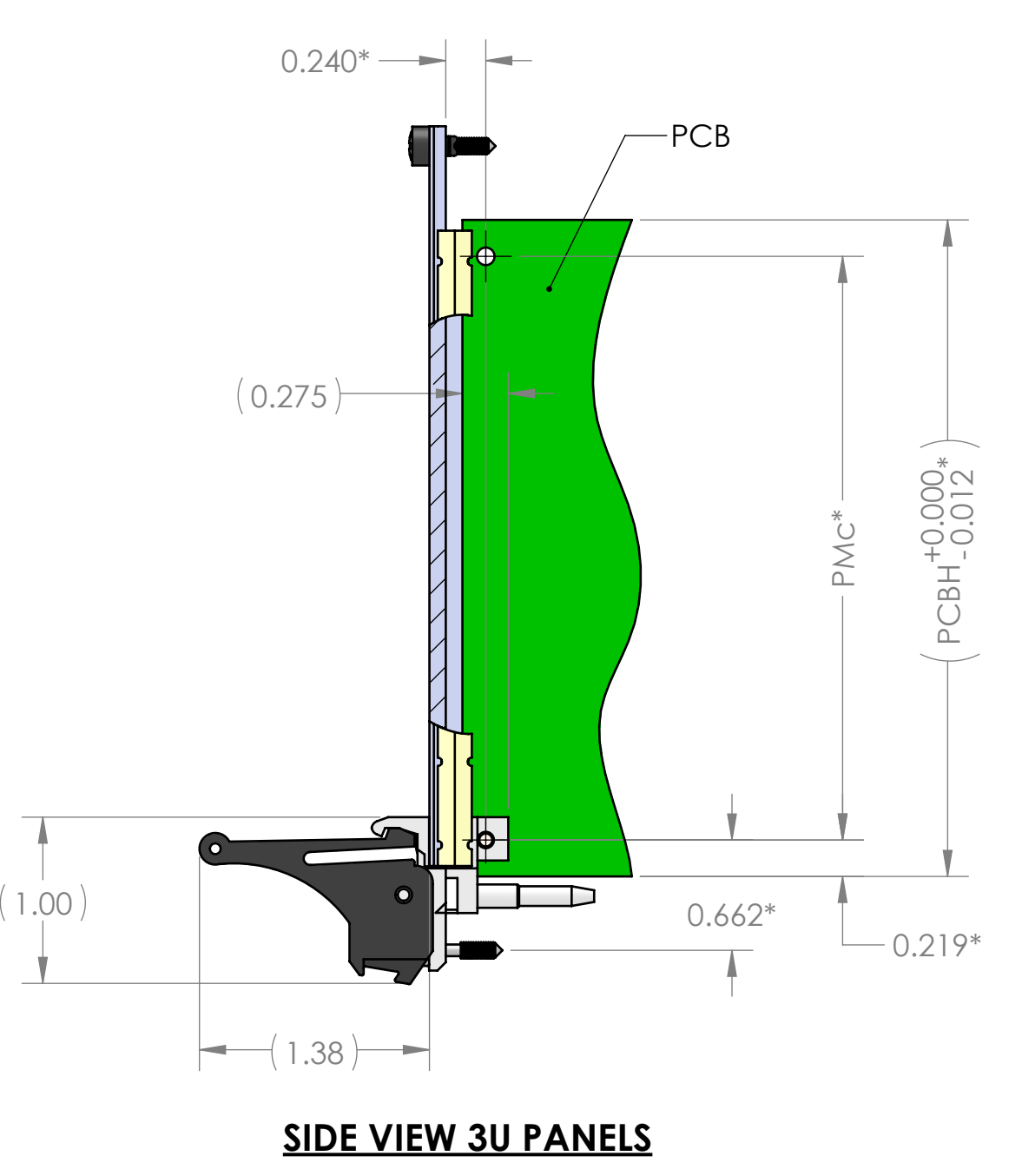
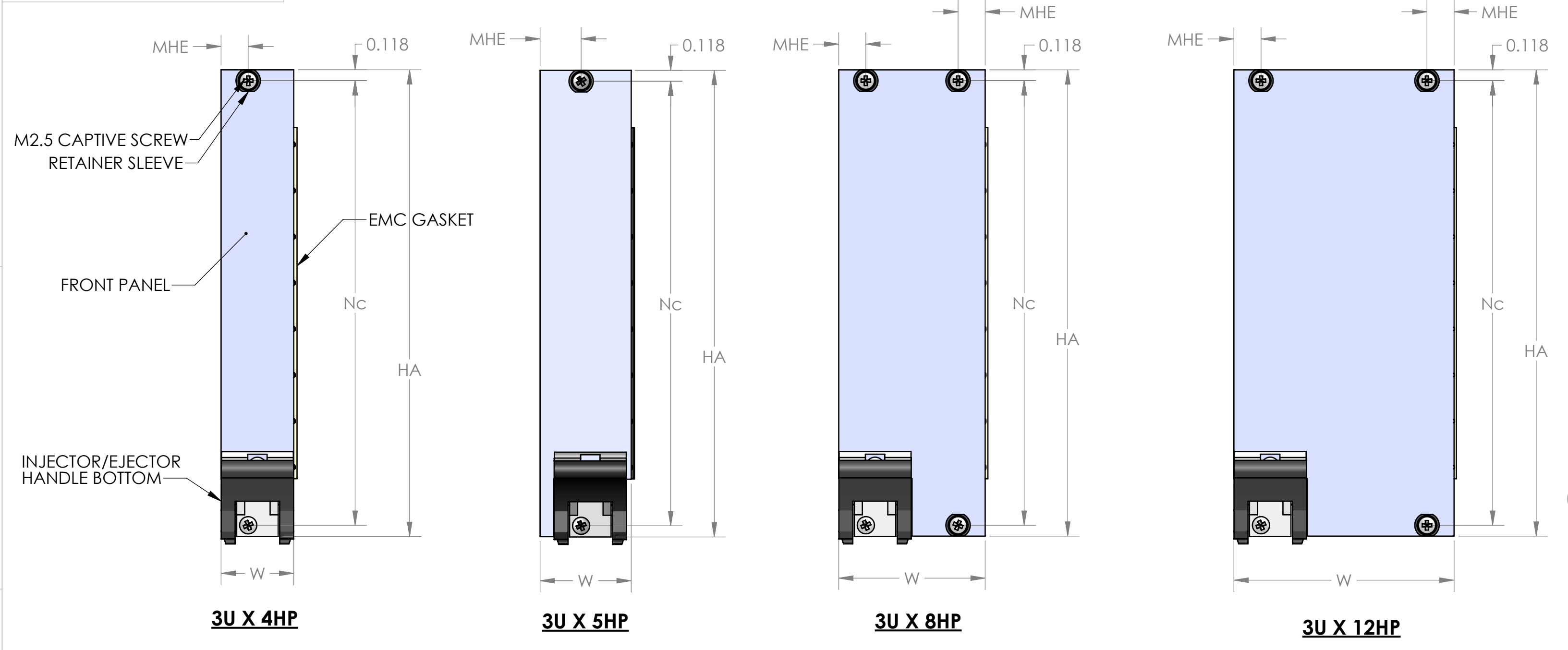


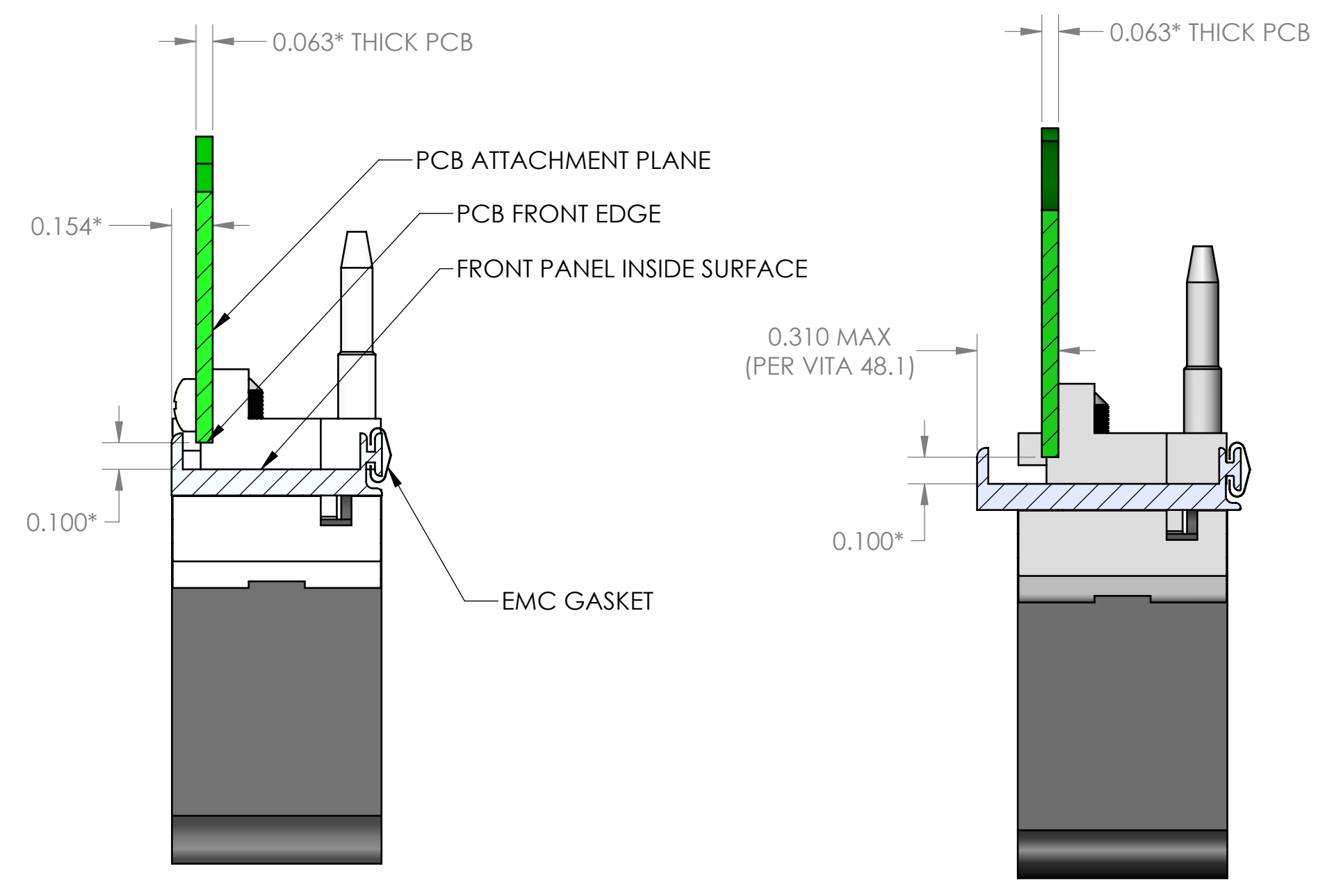
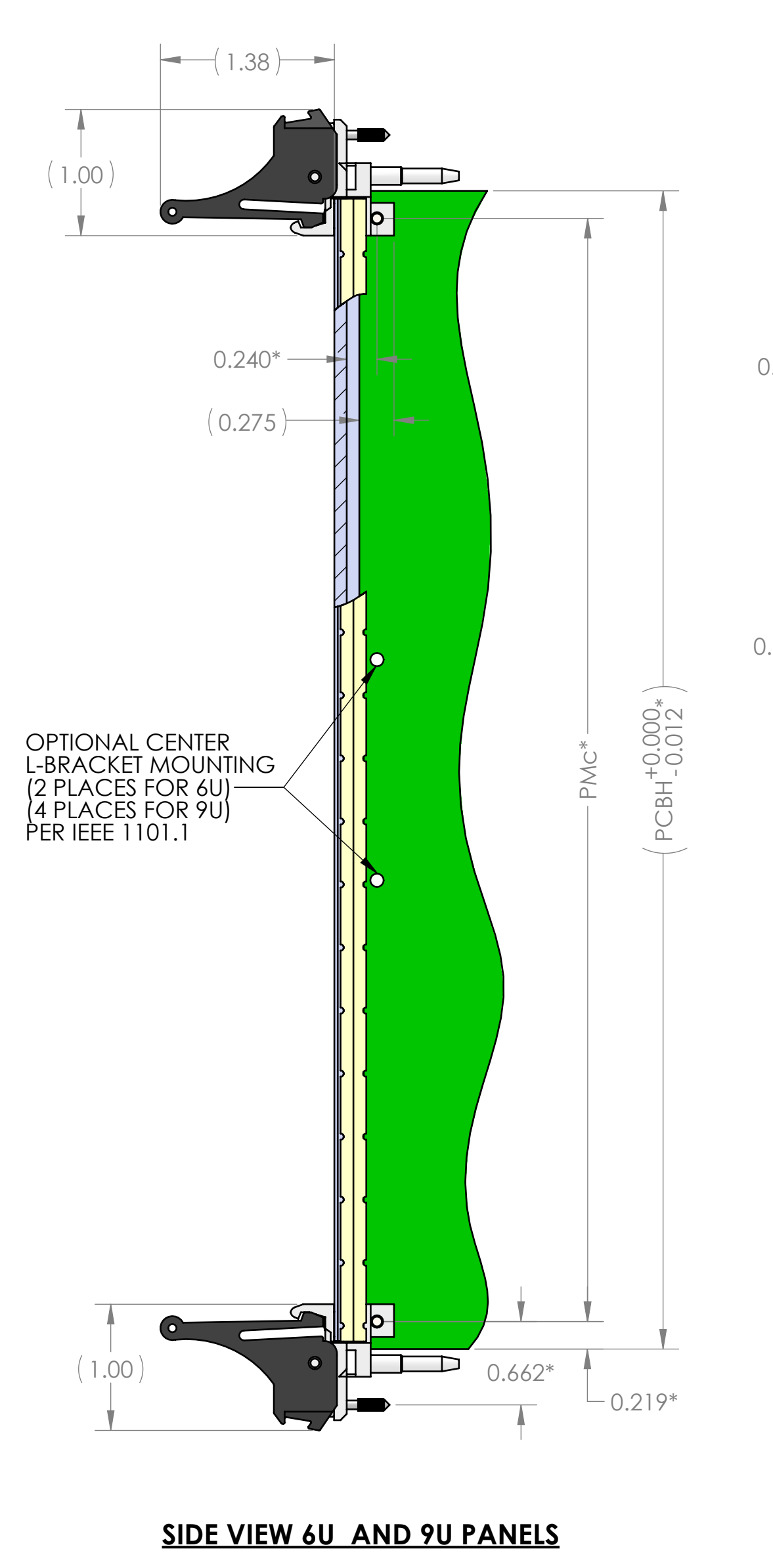
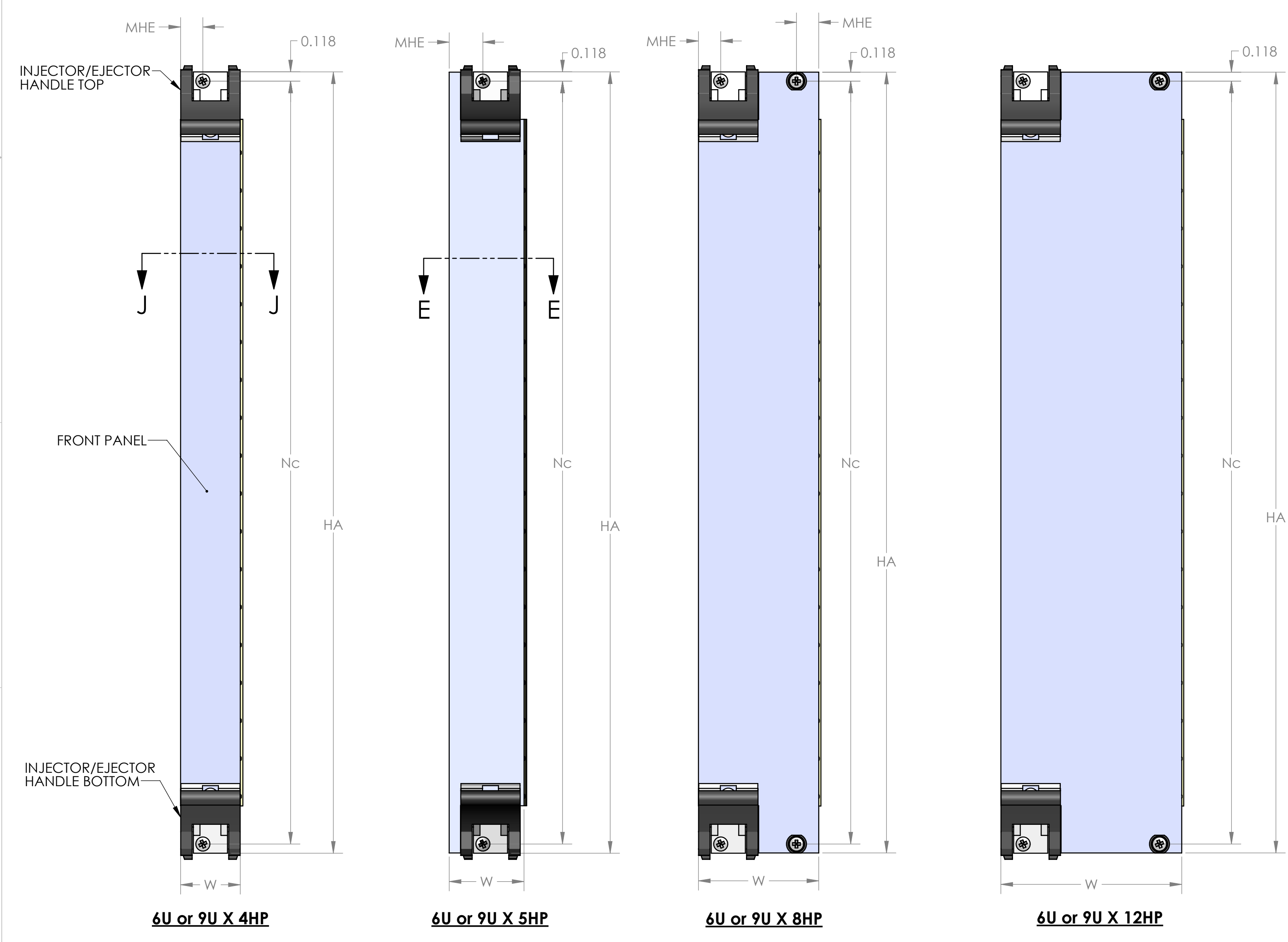
PROPRIETARY AND CONFIDENTIAL
 THE INFORMATION CONTAINED IN THIS DRAWING IS THE SOLE PROPERTY OF VECTOR ELECTRONICS & TECHNOLOGY, INC. ANY REPRODUCTION IN PART OR AS A WHOLE WITHOUT THE WRITTEN PERMISSION OF VECTOR ELECTRONICS & TECHNOLOGY, INC. IS PROHIBITED.

| REVISIONS | | | | |
|-----------|-----|--|----------|----------|
| ZONE | REV | DESCRIPTION | DATE | APPROVED |
| ALL | A | INITIAL RELEASE | 02/23/15 | |
| SHEET 2 | B | SHEET 2, DIM "A" FOR 3U X 4HP AND 4U OR 9U X 4HP, WAS NOTED AS DIM "H" | 04/01/15 | |



- NOTES:
 1. FRONT PANELS ARE SHOWN WITH TYPE IV INJECTOR/EJECTOR HANDLES
 2. TOP/BOTTOM INJECTOR/EJECTOR HANDLES AND PCB SHOWN FOR REFERENCE ONLY. NOT PART OF FRONT PANEL KIT
 3. * INDICATES DIMENSIONS PER IEEE 1101.10
 4. HEIGHT DIM "H" INCLUDES TYPE IV HANDLE'S KEYING BRACKET

| PART NO | DESCRIPTION | HA | WA | Nc | MHE | PMC | PCBH |
|-------------|-------------|--------|-------|--------|-------|--------|--------|
| FP52B4HP-1 | 3U X 4HP | 5.059 | 0.788 | 4.823 | 0.294 | 3.500 | 3.937 |
| FP52B5HP-1 | 3U X 5HP | | 0.988 | | 0.445 | | |
| FP52B8HP-1 | 3U X 8HP | | 1.588 | | 0.294 | | |
| FP52B12HP-1 | 3U X 12HP | | 2.388 | | 0.294 | | |
| FP10B4HP-1 | 6U X 4HP | 10.309 | 0.788 | 10.073 | 0.294 | 8.750 | 9.187 |
| FP10B5HP-1 | 6U X 5HP | | 0.988 | | 0.445 | | |
| FP10B8HP-1 | 6U X 8HP | | 1.588 | | 0.294 | | |
| FP10B12HP-1 | 6U X 12HP | | 2.388 | | 0.294 | | |
| FP15B4HP-1 | 9U X 4HP | 15.559 | 0.788 | 15.323 | 0.294 | 14.000 | 14.437 |
| FP15B5HP-1 | 9U X 5HP | | 0.988 | | 0.445 | | |
| FP15B8HP-1 | 9U X 8HP | | 1.588 | | 0.294 | | |
| FP15B12HP-1 | 9U X 12HP | | 2.388 | | 0.294 | | |



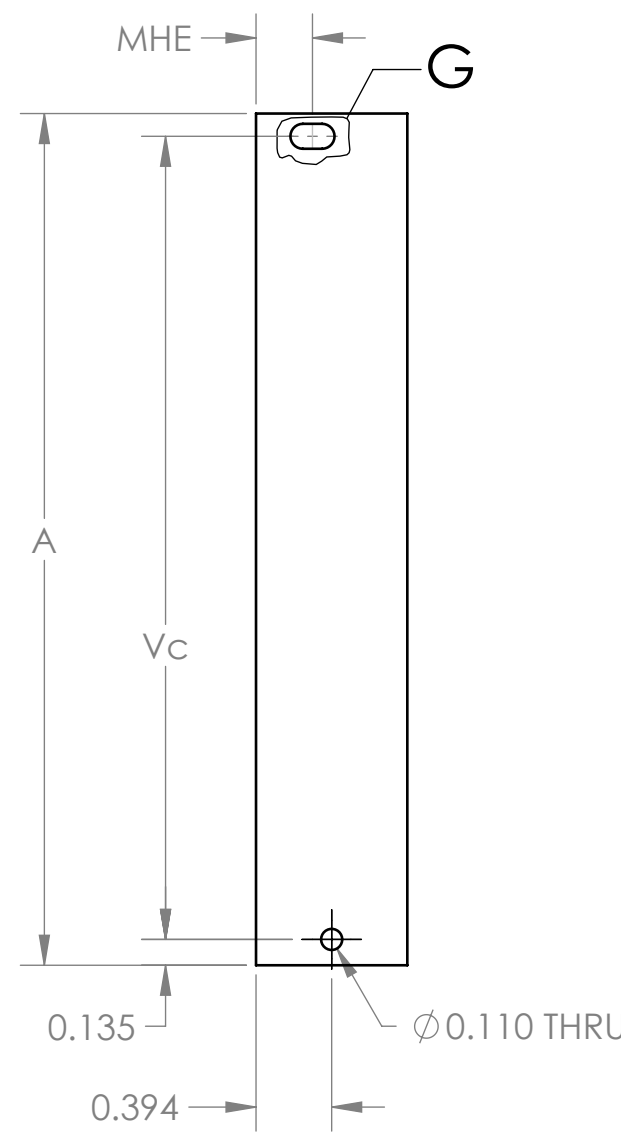
UNLESS OTHERWISE SPECIFIED:
 DIMENSIONS ARE IN INCHES
 TOLERANCES:
 DEC. X.X ±0.1
 DEC. X.XX ±0.03
 DEC. X.XXX ±0.010
 FRACTIONS ±0.050
 ANGLES ±1°
 THIRD ANGLE PROJECTION

| NAME | DATE |
|---------|----------|
| TRISHAR | 02/23/15 |

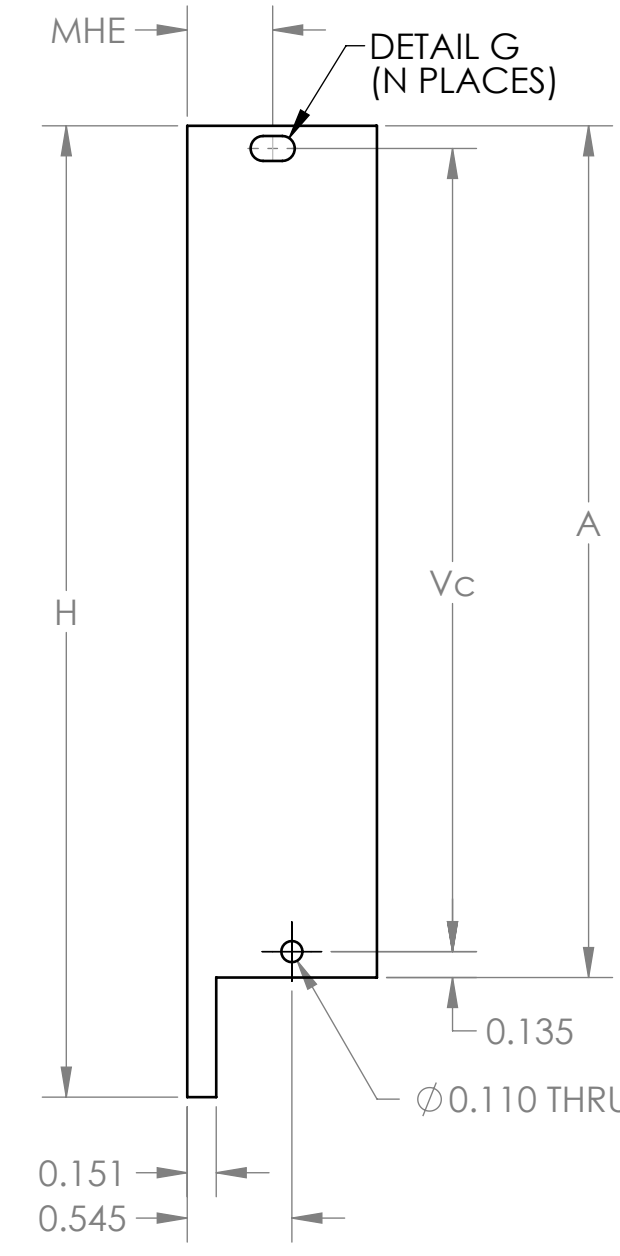
VECTOR ELECTRONICS & TECHNOLOGY, INC. 81115 VANOWEN ST., NORTH HOLLYWOOD, CA 91605

EMC FRONT PANEL, 1101.10

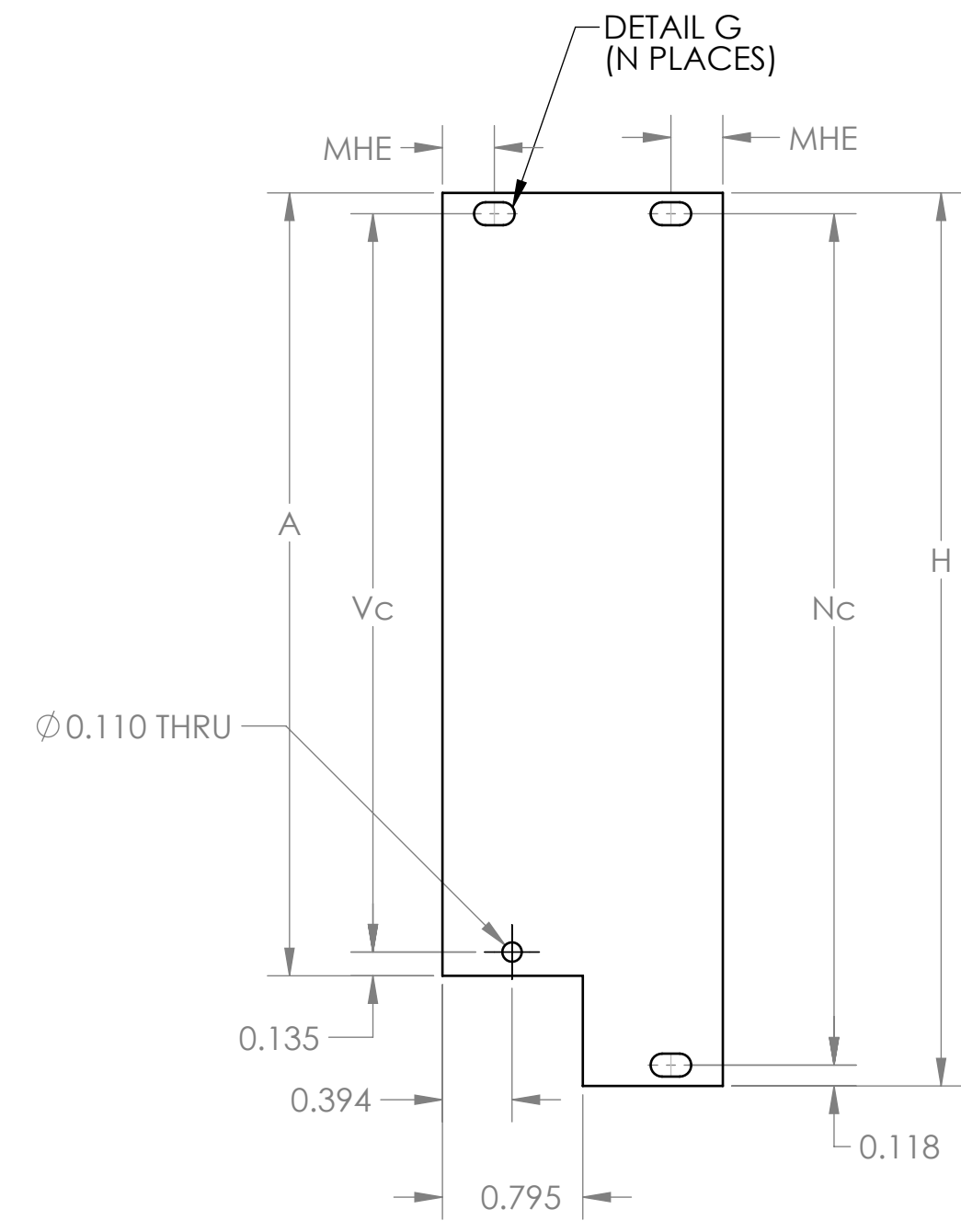
SIZE: **D** DWG. NO.: **FPXXBXHP-1** REV: **B**
 SCALE: 1:1 CAGE CODE: 82893 SHEET 1 OF 2



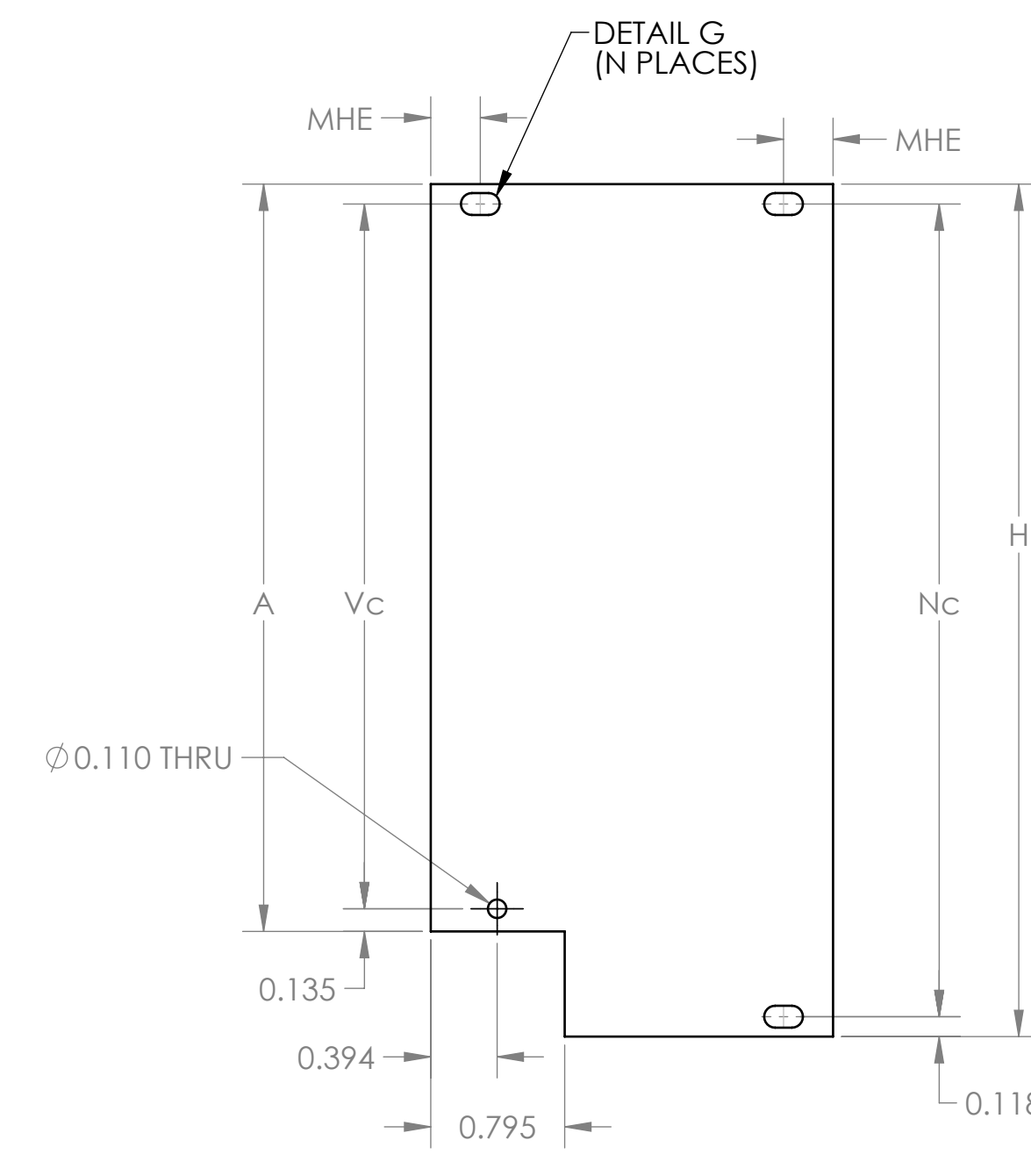
3U X 4HP



3U X 5HP



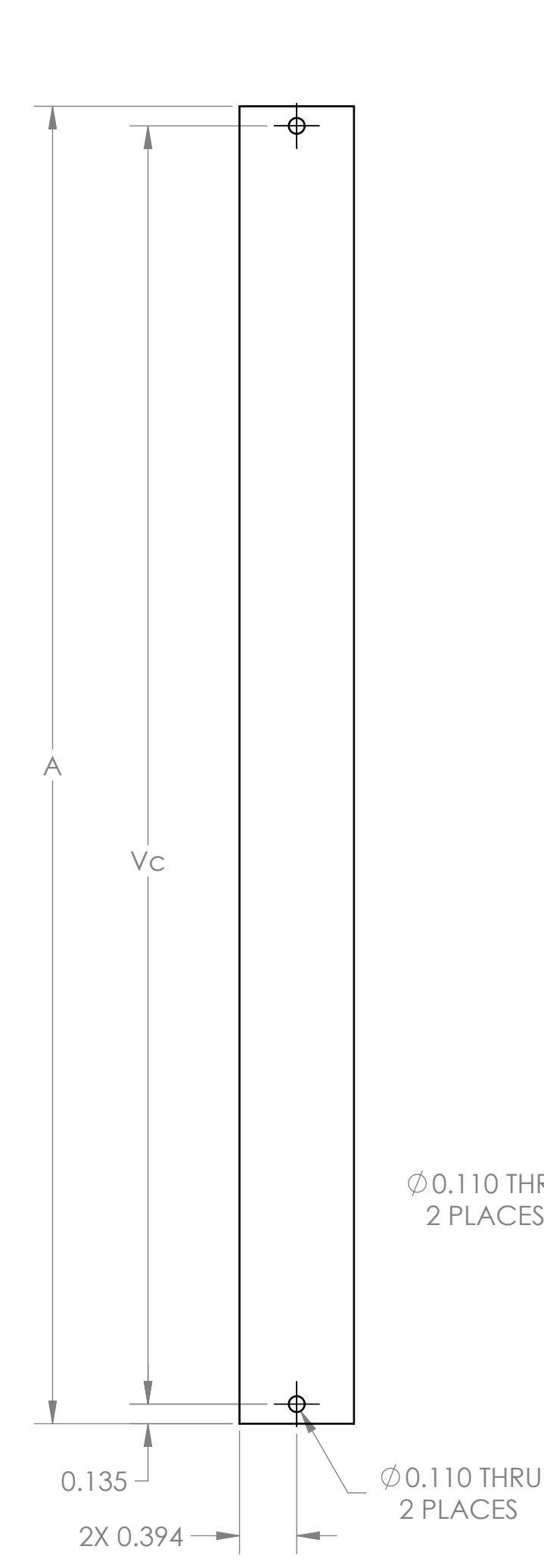
3U X 8HP



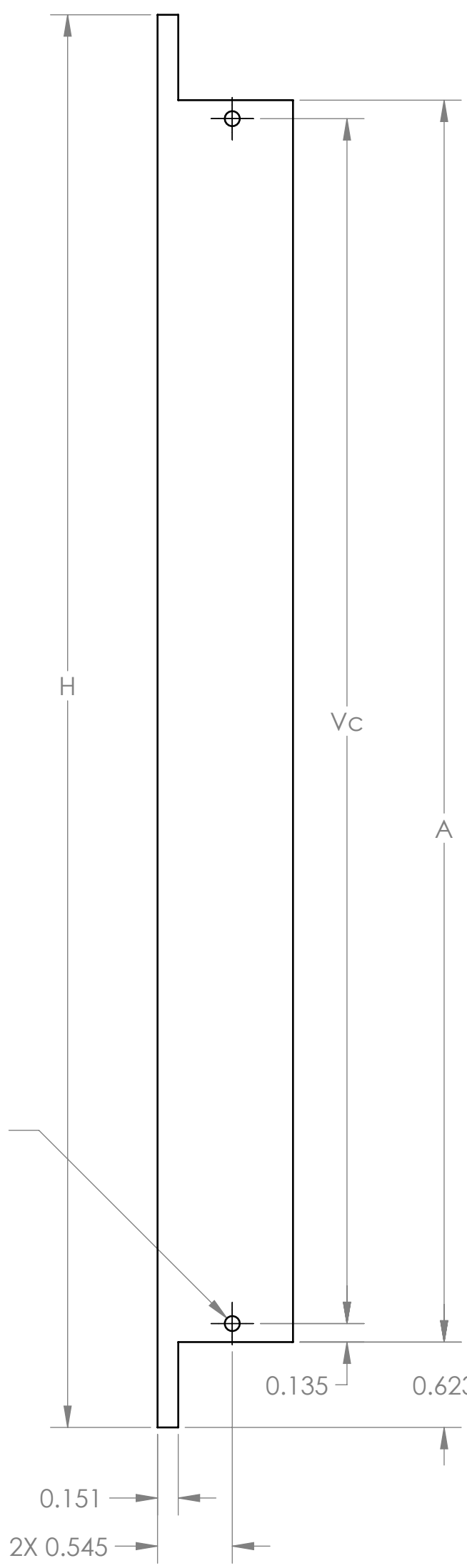
3U X 12HP

- NOTES:
 1. MATERIAL : ALUMINUM EXTRUSION, 6063-T5
 2. FRONT SURFACE GRAINED IN DIRECTION OF MATERIAL GRAIN
 3. FINISH : CLEAR CHEM FILM, MIL-C-5541, CLASS 3

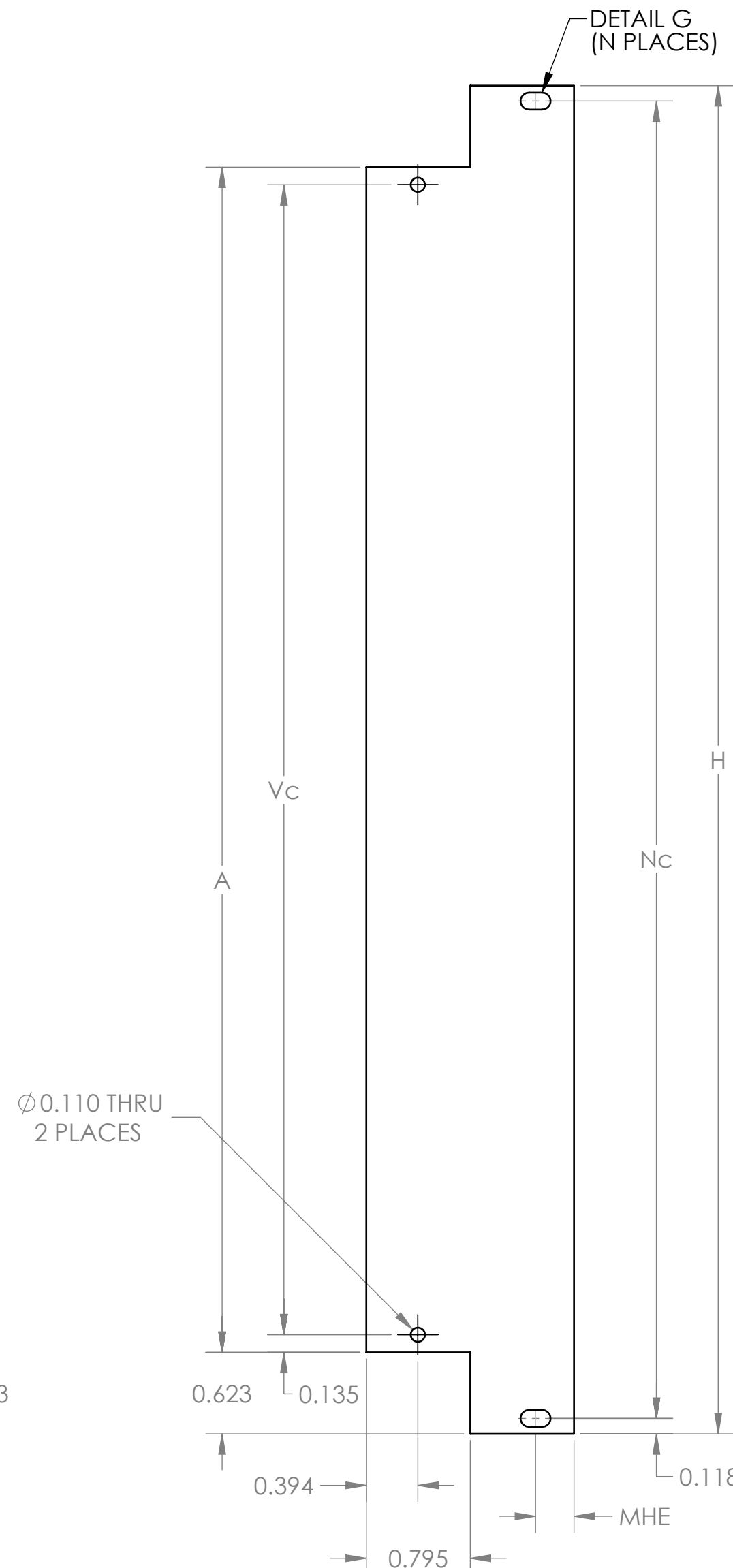
| | | DIMENSIONS TABULATION | | | | | | |
|-------------|-------------|-----------------------|-------|-------|--------|--------|--------|----------|
| PART NO | DESCRIPTION | H | W | MHE | Nc | Vc | A | PLACES N |
| FP52B4HP-1 | 3U X 4HP | - | 0.788 | 0.294 | - | 4.183 | 4.436 | 1 |
| FP52B5HP-1 | 3U X 5HP | 5.059 | 0.988 | 0.445 | - | | | 1 |
| FP52B8HP-1 | 3U X 8HP | | 1.588 | 0.294 | 4.823 | | | 3 |
| FP52B12HP-1 | 3U X 12HP | | 2.388 | 0.294 | 4.823 | 3 | | |
| FP10B4HP-1 | 6U X 4HP | - | 0.788 | - | - | 8.793 | 9.063 | - |
| FP10B5HP-1 | 6U X 5HP | 10.309 | 0.988 | - | - | | | - |
| FP10B8HP-1 | 6U X 8HP | | 1.588 | 0.294 | 10.073 | | | 2 |
| FP10B12HP-1 | 6U X 12HP | | 2.388 | 0.294 | 10.073 | 2 | | |
| FP15B4HP-1 | 9U X 4HP | - | 0.788 | - | - | 14.043 | 14.313 | - |
| FP15B5HP-1 | 9U X 5HP | 15.559 | 0.988 | - | - | | | - |
| FP15B8HP-1 | 9U X 8HP | | 1.588 | 0.294 | 15.323 | | | 2 |
| FP15B12HP-1 | 9U X 12HP | | 2.388 | 0.294 | 15.323 | | | 2 |



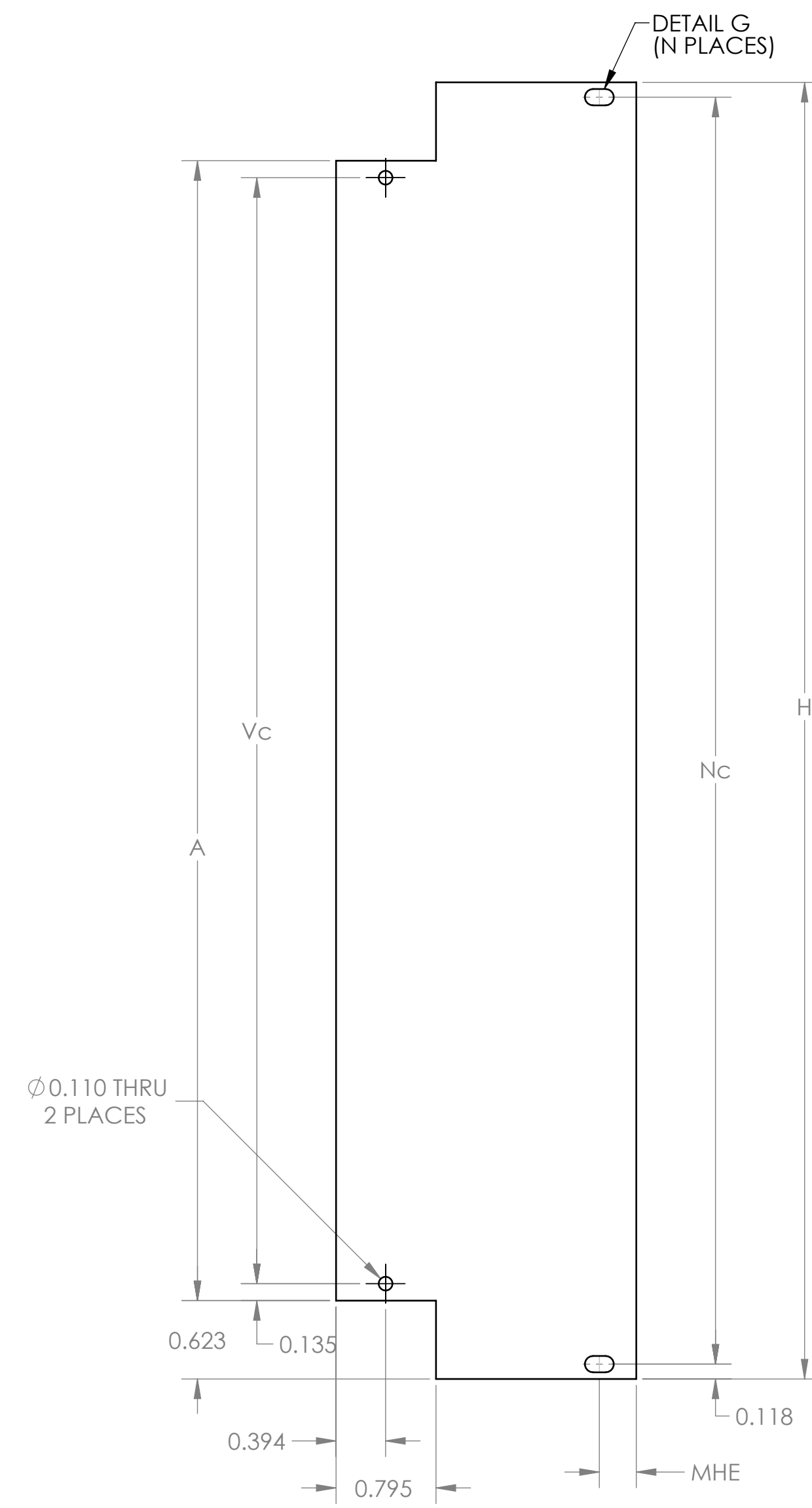
6U or 9U X 4HP



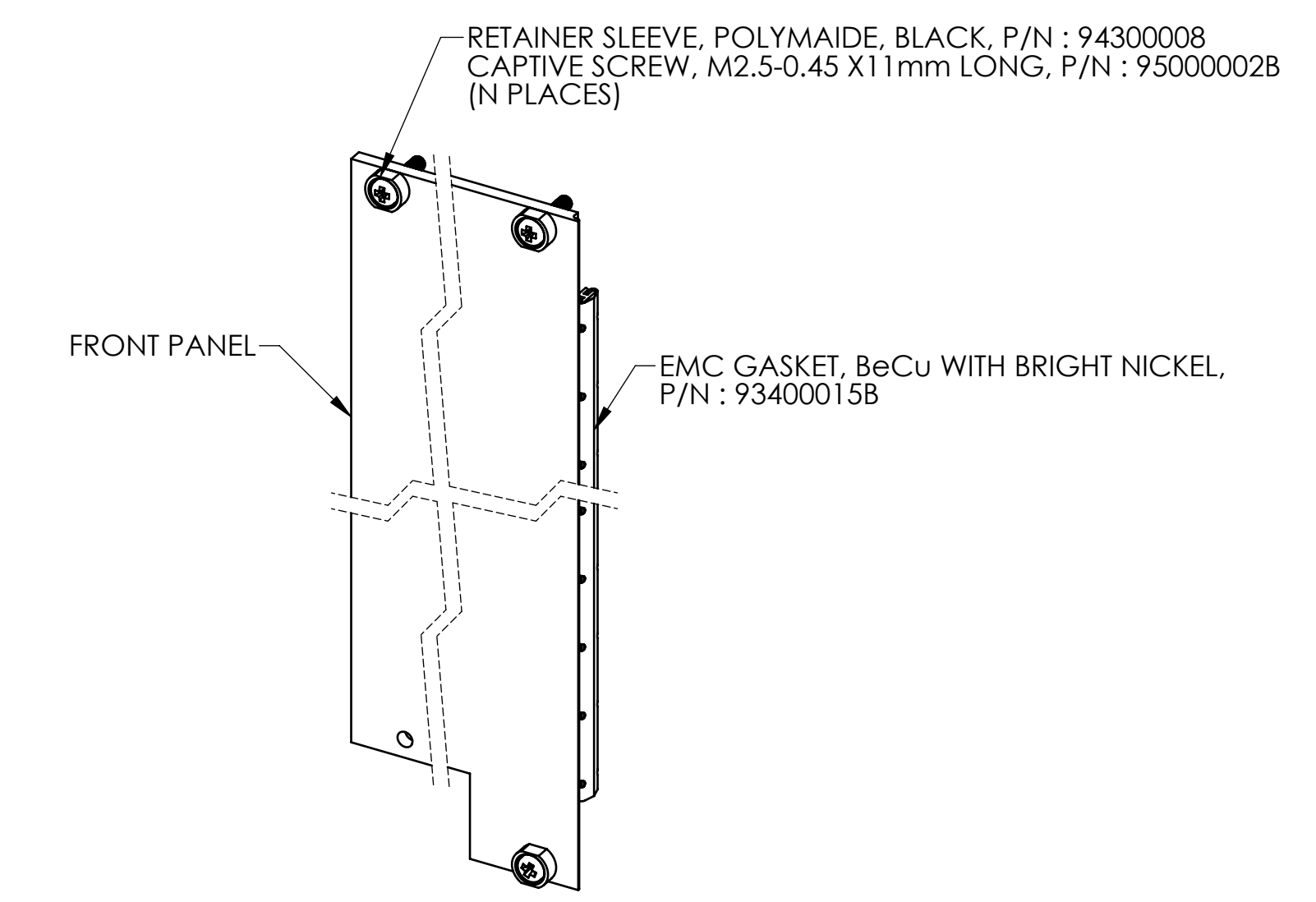
6U or 9U X 5HP



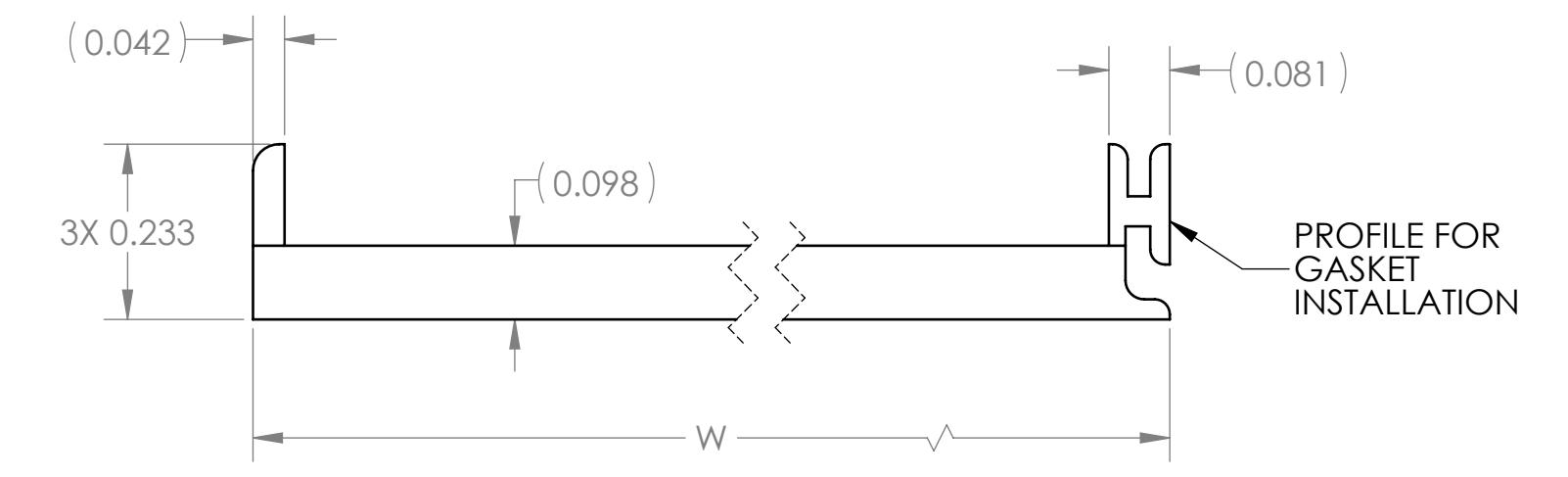
6U or 9U X 8HP



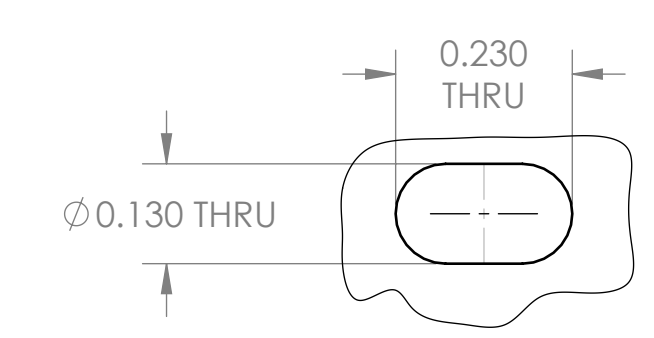
6U or 9U X 12HP



FPXXAXHP-1 FRONT PANEL ASSY



PANEL PROFILE DETAIL



**DETAIL G
SCALE 4 : 1**

VECTOR 11115 VANOWEN ST.
 NORTH HOLLYWOOD, CA 91605
 ELECTRONICS & TECHNOLOGY, INC. www.vectorsect.com

EMC FRONT PANEL, 1101.10

| | | |
|------|------------|-----|
| SIZE | DWG. NO. | REV |
| D | FPXXBXHP-1 | B |

SCALE: 1:1 | CAGE CODE: 82893 | SHEET 2 OF 2

Mouser Electronics

Authorized Distributor

Click to View Pricing, Inventory, Delivery & Lifecycle Information:

Vector:

[FPE04-3U](#) [90100016](#) [FP52B4HP-1](#) [FP10B4HP-1](#)