

## Features

- Very high speed
  - 55 ns
- Wide voltage range
  - 2.2 V–3.6 V
- Ultra-low active power
  - Typical active current: 2 mA at f = 1 MHz
  - Typical active current: 15 mA at f = f<sub>Max</sub> (55 ns Speed)
- Ultra-low standby power
- Easy memory expansion with  $\overline{CE}_1$ , CE<sub>2</sub> and  $\overline{OE}$  features
- Automatic power-down when deselected
- Complementary metal oxide semiconductor (CMOS) for optimum speed/power
- Available in non Pb-free 48-ball very fine ball grid array (VFBGA) package.

## Functional Description

The CY62168DV30 is a high-performance CMOS static RAMs organized as 2048Kbit words by 8 bits. This device features advanced circuit design to provide ultra-low active current. This is ideal for providing More Battery Life™ (MoBL®) in portable applications such as cellular telephones. The device also has an automatic power-down feature that significantly reduces power

consumption. The device can be put into standby mode reducing power consumption by 90% when addresses are not toggling. The device can be put into standby mode reducing power consumption by more than 99% when deselected Chip Enable 1 (CE<sub>1</sub>) HIGH or Chip Enable 2 (CE<sub>2</sub>) LOW. The input/output pins (I/O<sub>0</sub> through I/O<sub>7</sub>) are placed in a high-impedance state when: deselected Chip Enable 1 (CE<sub>1</sub>) HIGH or Chip Enable 2 (CE<sub>2</sub>) LOW, outputs are disabled ( $\overline{OE}$  HIGH), or during a write operation (Chip Enable 1 (CE<sub>1</sub>) LOW and Chip Enable 2 (CE<sub>2</sub>) HIGH and WE LOW).

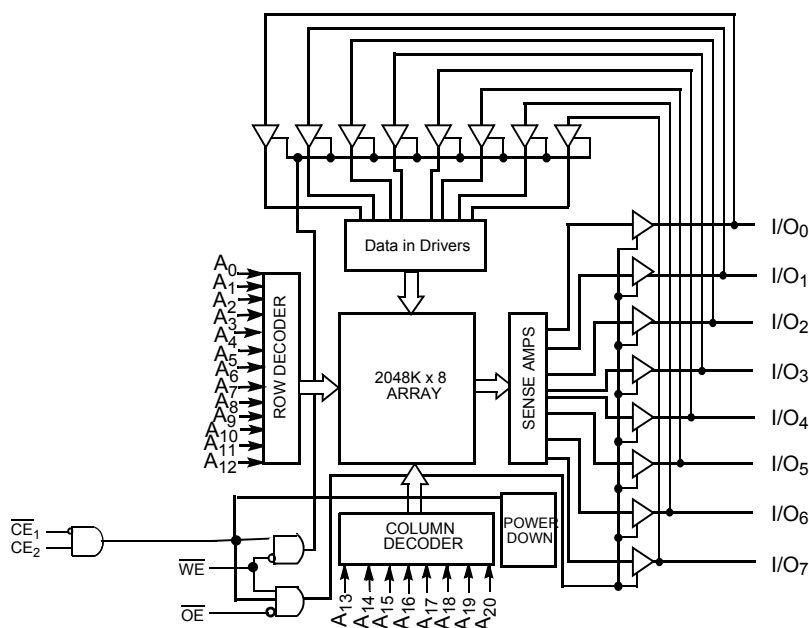
Writing to the device is accomplished by taking Chip Enable 1 ( $\overline{CE}_1$ ) LOW and Chip Enable 2 (CE<sub>2</sub>) HIGH and Write Enable (WE) input LOW. Data on the eight I/O pins (I/O<sub>0</sub> through I/O<sub>7</sub>) is then written into the location specified on the address pins (A<sub>0</sub> through A<sub>20</sub>).

Reading from the device is accomplished by taking Chip Enable 1 (CE<sub>1</sub>) and Output Enable ( $\overline{OE}$ ) LOW and Chip Enable 2 (CE<sub>2</sub>) HIGH while forcing Write Enable (WE) HIGH. Under these conditions, the contents of the memory location specified by the address pins appear on the I/O pins.

The eight input/output pins (I/O<sub>0</sub> through I/O<sub>7</sub>) are placed in a high-impedance state when the device is deselected ( $\overline{CE}_1$  LOW and CE<sub>2</sub> HIGH), the outputs are disabled ( $\overline{OE}$  HIGH), or during a write operation (CE<sub>1</sub> LOW and CE<sub>2</sub> HIGH and WE LOW). See the [Truth Table on page 10](#) for a complete description of read and write modes.

For a complete list of related documentation, [click here](#).

## Logic Block Diagram



## Contents

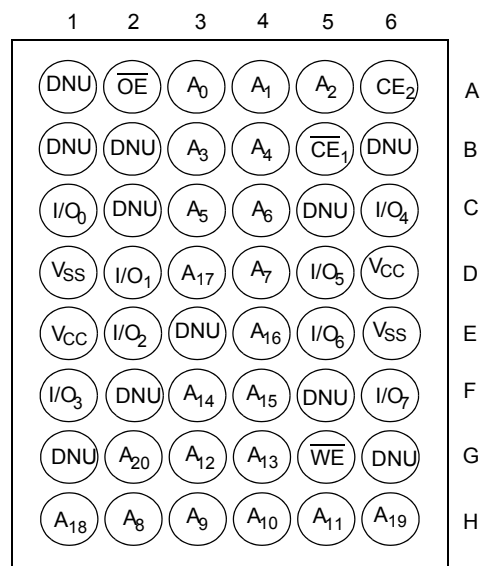
<b>Product Portfolio</b> .....	<b>3</b>	<b>Ordering Information</b> .....	<b>11</b>
<b>Pin Configuration</b> .....	<b>3</b>	Ordering Code Definitions .....	11
<b>Maximum Ratings</b> .....	<b>4</b>	<b>Package Diagram</b> .....	<b>12</b>
<b>Operating Range</b> .....	<b>4</b>	<b>Acronyms</b> .....	<b>13</b>
<b>DC Electrical Characteristics</b> .....	<b>4</b>	<b>Document Conventions</b> .....	<b>13</b>
<b>Capacitance</b> .....	<b>5</b>	Units of Measure .....	13
<b>Thermal Resistance</b> .....	<b>5</b>	<b>Document History Page</b> .....	<b>14</b>
<b>AC Test Loads and Waveforms</b> .....	<b>5</b>	<b>Sales, Solutions, and Legal Information</b> .....	<b>15</b>
<b>Data Retention Characteristics</b> .....	<b>6</b>	Worldwide Sales and Design Support .....	15
<b>Data Retention Waveform</b> .....	<b>6</b>	Products .....	15
<b>Switching Characteristics</b> .....	<b>7</b>	PSoC® Solutions .....	15
<b>Switching Waveforms</b> .....	<b>8</b>	Cypress Developer Community .....	15
<b>Truth Table</b> .....	<b>10</b>	Technical Support .....	15

### Product Portfolio

Product	V <sub>CC</sub> Range (V)			Speed (ns)	Power Dissipation					
					Operating I <sub>CC</sub> (mA)				Standby I <sub>SB2</sub> ( $\mu$ A)	
	f = 1 MHz		f = f <sub>Max</sub>							
	Min	Typ <sup>[1]</sup>	Max		Typ <sup>[1]</sup>	Max	Typ <sup>[1]</sup>	Max	Typ <sup>[1]</sup>	Max
CY62168DV30LL	2.2	3.0	3.6	55	2	4	15	30	2.5	22

### Pin Configuration

Figure 1. 48-ball VFBGA pinout (Top View)<sup>[2]</sup>



**Notes**

1. Typical values are included for reference only and are not guaranteed or tested. Typical values are measured at V<sub>CC</sub> = V<sub>CC(typ.)</sub>, T<sub>A</sub> = 25 °C.
2. DNU pins have to be left floating or tied to V<sub>SS</sub> to ensure proper operation.

## Maximum Ratings

Exceeding maximum ratings may shorten the useful life of the device. User guidelines are not tested.

Storage temperature	–65 °C to +150 °C
Ambient temperature with power applied	–55 °C to +125 °C
Supply voltage to ground potential	–0.3 V to $V_{CC(max)}$ + 0.3 V
DC voltage applied to outputs in High-Z state <sup>[3, 4]</sup>	–0.3 V to $V_{CC(max)}$ + 0.3 V

DC input voltage <sup>[3, 4]</sup>	–0.3 V to $V_{CC(max)}$ + 0.3 V
Output current into outputs (LOW)	20 mA
Static discharge voltage (per MIL-STD-883, Method 3015)	> 2001 V
Latch-up current	> 200 mA

## Operating Range

Range	Ambient Temperature ( $T_A$ ) <sup>[5]</sup>	$V_{CC}$ <sup>[6]</sup>
Industrial	–40 °C to +85 °C	2.2 V–3.6 V

## DC Electrical Characteristics

Over the Operating Range

Parameter	Description	Test Conditions	CY62168DV30-55			Unit	
			Min	Typ <sup>[7]</sup>	Max		
$V_{OH}$	Output HIGH voltage	$2.2\text{ V} \leq V_{CC} \leq 2.7\text{ V}$	$I_{OH} = -0.1\text{ mA}$	2.0	–	–	V
		$2.7\text{ V} \leq V_{CC} \leq 3.6\text{ V}$	$I_{OH} = -1.0\text{ mA}$	2.4	–	–	
$V_{OL}$	Output LOW voltage	$2.2\text{ V} \leq V_{CC} \leq 2.7\text{ V}$	$I_{OL} = 0.1\text{ mA}$	–	–	0.4	V
		$2.7\text{ V} \leq V_{CC} \leq 3.6\text{ V}$	$I_{OL} = 2.1\text{ mA}$	–	–	0.4	
$V_{IH}$	Input HIGH voltage	$2.2\text{ V} \leq V_{CC} \leq 2.7\text{ V}$		1.8	–	$V_{CC} + 0.3$	V
		$2.7\text{ V} \leq V_{CC} \leq 3.6\text{ V}$		2.2	–	$V_{CC} + 0.3$	
$V_{IL}$	Input LOW voltage	$2.2\text{ V} \leq V_{CC} \leq 2.7\text{ V}$		–0.3	–	0.6	V
		$2.7\text{ V} \leq V_{CC} \leq 3.6\text{ V}$		–0.3	–	0.8	
$I_{IX}$	Input leakage current	$GND \leq V_I \leq V_{CC}$		–1	–	+1	$\mu\text{A}$
$I_{OZ}$	Output leakage current	$GND \leq V_O \leq V_{CC}$ , Output disabled		–1	–	+1	$\mu\text{A}$
$I_{CC}$	$V_{CC}$ operating supply current	$f = f_{Max} = 1/t_{RC}$	$V_{CC} = 3.6\text{ V}$ , $I_{OUT} = 0\text{ mA}$ , CMOS level	–	15	30	mA
		$f = 1\text{ MHz}$		–	2	4	
$I_{SB1}$	Automatic CE power-down current – CMOS inputs	$\overline{CE}_1 \geq V_{CC} - 0.2\text{ V}$ , $CE_2 \leq 0.2\text{ V}$ , $V_{IN} \geq V_{CC} - 0.2\text{ V}$ or $V_{IN} \leq 0.2\text{ V}$ , $f = f_{Max}$ (Address and data only), $f = 0$ ( $\overline{OE}$ , $\overline{WE}$ )		–	2.5	22	$\mu\text{A}$
$I_{SB2}$	Automatic CE power-down current – CMOS inputs	$\overline{CE}_1 \geq V_{CC} - 0.2\text{ V}$ , $CE_2 \leq 0.2\text{ V}$ , $V_{IN} \geq V_{CC} - 0.2\text{ V}$ or $V_{IN} \leq 0.2\text{ V}$ , $f = 0$ , $V_{CC} = 3.6\text{ V}$		–	2.5	22	$\mu\text{A}$

### Notes

- $V_{IL(min)}$  = –2.0 V for pulse durations less than 20 ns.
- $V_{IH(max)}$  =  $V_{CC} + 0.75\text{ V}$  for pulse durations less than 20 ns.
- $T_A$  is the "Instant-On" case temperature.
- Full device AC operation assumes a 100  $\mu\text{s}$  ramp time from 0 to  $V_{CC(min)}$  and 100  $\mu\text{s}$  wait time after  $V_{CC}$  stabilization.
- Typical values are included for reference only and are not guaranteed or tested. Typical values are measured at  $V_{CC} = V_{CC(typ)}$ ,  $T_A = 25\text{ }^\circ\text{C}$ .

### Capacitance

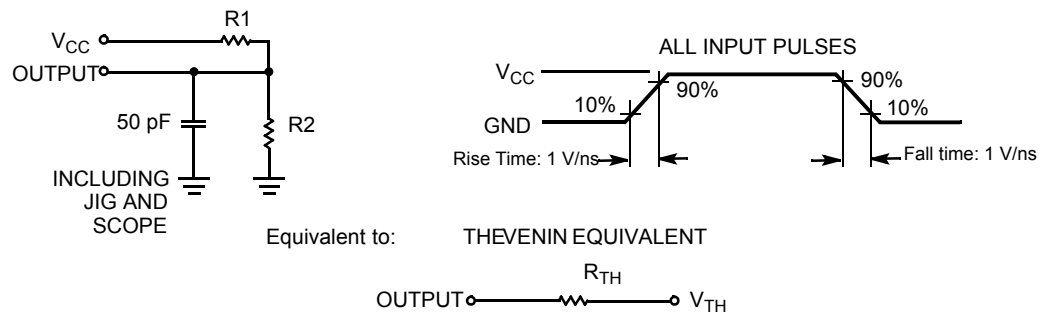
Parameter [8]	Description	Test Conditions	Max	Unit
C <sub>IN</sub>	Input capacitance	T <sub>A</sub> = 25 °C, f = 1 MHz, V <sub>CC</sub> = V <sub>CC(typ.)</sub>	8	pF
C <sub>OUT</sub>	Output capacitance		10	pF

### Thermal Resistance

Parameter [8]	Description	Test Conditions	VFBGA	Unit
θ <sub>JA</sub>	Thermal resistance (junction to ambient)	Still air, soldered on a 3 × 4.5 inch, two-layer printed circuit board	55	°C/W
θ <sub>JC</sub>	Thermal resistance (junction to case)		16	°C/W

### AC Test Loads and Waveforms

Figure 2. AC Test Loads and Waveforms



Parameters	2.5 V	3.0 V	Unit
R1	16600	1103	Ω
R2	15400	1554	Ω
R <sub>TH</sub>	8000	645	Ω
V <sub>TH</sub>	1.2	1.75	V

**Note**

8. Tested initially and after any design or process changes that may affect these parameters.

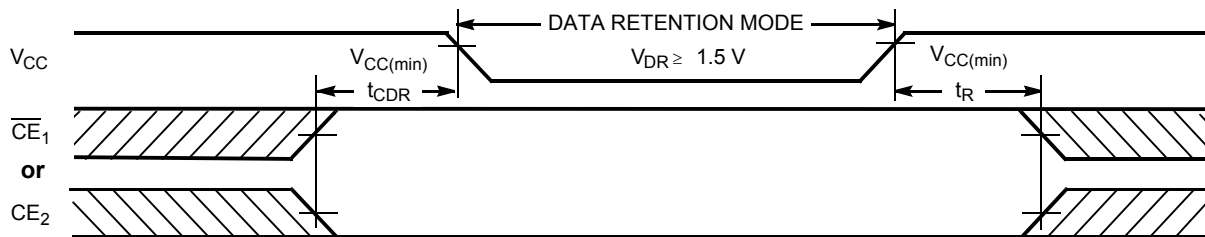
### Data Retention Characteristics

Over the Operating Range

Parameter	Description	Conditions	Min	Typ <sup>[10]</sup>	Max	Unit
$V_{DR}$	$V_{CC}$ for data retention		1.5	–	3.6	V
$I_{CCDR}$	Data retention current	$V_{CC} = 1.5\text{ V}$ , $\overline{CE}_1 > V_{CC} - 0.2\text{ V}$ or $CE_2 \leq 0.2\text{ V}$ , $V_{IN} > V_{CC} - 0.2\text{ V}$ or $V_{IN} \leq 0.2\text{ V}$	–	–	10	$\mu\text{A}$
$t_{CDR}^{[9]}$	Chip deselect to data retention time		0	–	–	ns
$t_R^{[11]}$	Operation recovery time		55	–	–	ns

### Data Retention Waveform

Figure 3. Data Retention Waveform



**Notes**

- 9. Tested initially and after any design or process changes that may affect these parameters.
- 10. Typical values are included for reference only and are not guaranteed or tested. Typical values are measured at  $V_{CC} = V_{CC(typ)}$ ,  $T_A = 25\text{ }^\circ\text{C}$ .
- 11. Full Device AC operation requires linear  $V_{CC}$  ramp from  $V_{DR}$  to  $V_{CC(min)} > 100\text{ }\mu\text{s}$  or stable at  $V_{CC(min)} > 100\text{ }\mu\text{s}$ .

## Switching Characteristics

Over the Operating Range

Parameter <sup>[12]</sup>	Description	55 ns		Unit
		Min	Max	
<b>Read Cycle</b>				
$t_{RC}$	Read cycle time	55	–	ns
$t_{AA}$	Address to data valid	–	55	ns
$t_{OHA}$	Data hold from address change	10	–	ns
$t_{ACE}$	$\overline{CE}_1$ LOW and $CE_2$ HIGH to data valid	–	55	ns
$t_{DOE}$	$\overline{OE}$ LOW to data valid	–	25	ns
$t_{LZOE}$	$\overline{OE}$ LOW to low Z <sup>[13]</sup>	5	–	ns
$t_{HZOE}$	$\overline{OE}$ HIGH to high Z <sup>[13, 14]</sup>	–	20	ns
$t_{LZCE}$	$\overline{CE}_1$ LOW and $CE_2$ HIGH to low Z <sup>[13]</sup>	10	–	ns
$t_{HZCE}$	$\overline{CE}_1$ HIGH or $CE_2$ LOW to high Z <sup>[13, 14]</sup>	–	20	ns
$t_{PU}$	$\overline{CE}_1$ LOW and $CE_2$ HIGH to power-up	0	–	ns
$t_{PD}$	$\overline{CE}_1$ HIGH or $CE_2$ LOW to power-down	–	55	ns
<b>Write Cycle <sup>[15, 16]</sup></b>				
$t_{WC}$	Write cycle time	55	–	ns
$t_{SCE}$	$\overline{CE}_1$ LOW and $CE_2$ HIGH to write end	40	–	ns
$t_{AW}$	Address setup to write end	40	–	ns
$t_{HA}$	Address hold from write end	0	–	ns
$t_{SA}$	Address setup to write start	0	–	ns
$t_{PWE}$	$\overline{WE}$ Pulse width	40	–	ns
$t_{SD}$	Data setup to write end	25	–	ns
$t_{HD}$	Data hold from write end	0	–	ns
$t_{HZWE}$	$\overline{WE}$ LOW to high Z <sup>[13, 14]</sup>	–	20	ns
$t_{LZWE}$	$\overline{WE}$ HIGH to low Z <sup>[13]</sup>	10	–	ns

### Notes

12. Test conditions for all parameters other than tri-state parameters assume signal transition time of 3ns or less (1V/ns), timing reference levels of  $V_{CC(typ.)}/2$ , input pulse levels of 0 to  $V_{CC(typ.)}$ , and output loading of the specified  $I_{OL}/I_{OH}$  as shown in the "AC Test Loads and Waveforms" section.
13. At any temperature and voltage condition,  $t_{HZCE}$  is less than  $t_{LZCE}$ ,  $t_{HZOE}$  is less than  $t_{LZOE}$ , and  $t_{HZWE}$  is less than  $t_{LZWE}$  for any device.
14.  $t_{HZOE}$ ,  $t_{HZCE}$ , and  $t_{HZWE}$  transitions are measured when the outputs enter a high impedance state.
15. The internal write time of the memory is defined by the overlap of  $\overline{WE}$ ,  $\overline{CE}_1 = V_{IL}$ , and  $CE_2 = V_{IH}$ . All signals must be ACTIVE to initiate a write and any of these signals can terminate a write by going INACTIVE. The data input setup and hold timing should be referenced to the edge of the signal that terminates the write.
16. The minimum write pulse width for Write Cycle No. 3 ( $\overline{WE}$  Controlled,  $\overline{OE}$  LOW) should be equal to sum of  $t_{SD}$  and  $t_{HZWE}$ .

## Switching Waveforms

Figure 4. Read Cycle No. 1 (Address Transition Controlled) [17, 18]

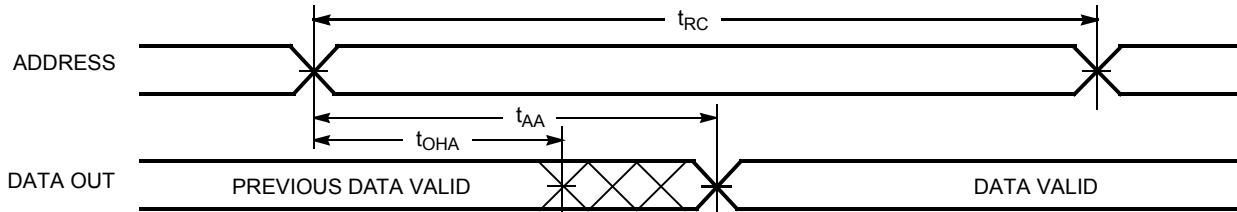


Figure 5. Read Cycle No. 2 ( $\overline{OE}$  Controlled) [18, 19]

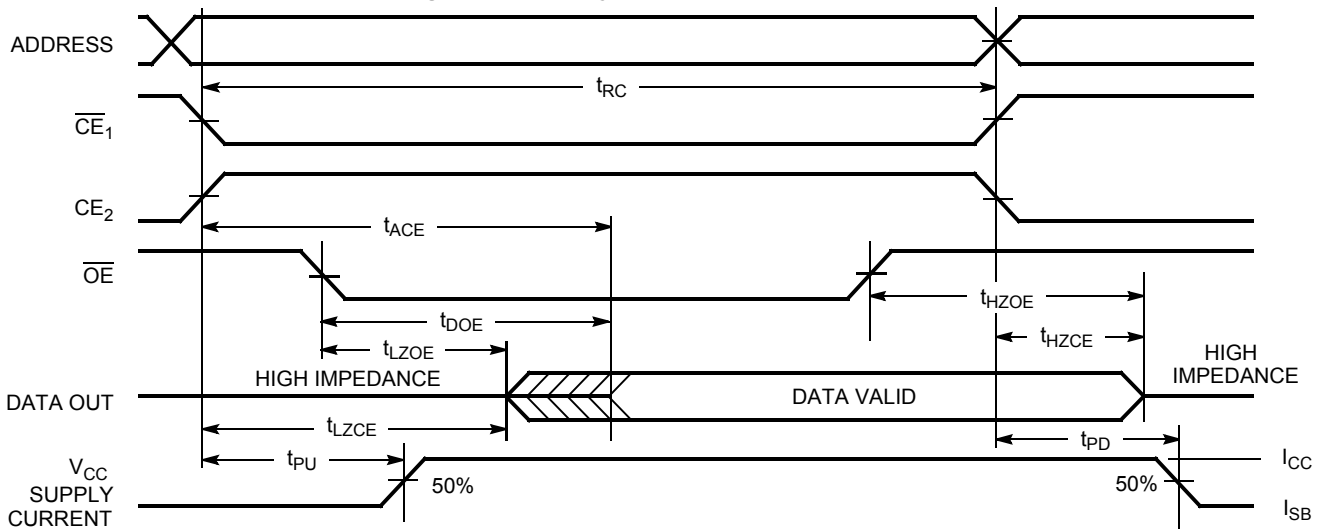
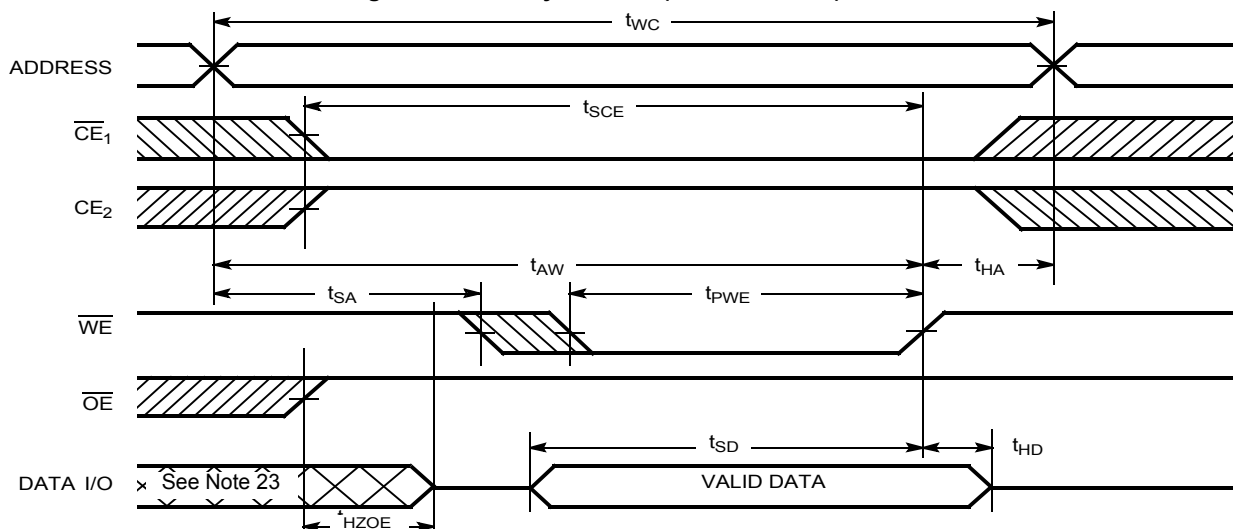


Figure 6. Write Cycle No. 1 ( $\overline{WE}$  Controlled) [20, 21, 22]



### Notes

17. Device is continuously selected.  $\overline{OE}$ ,  $\overline{CE}_1 = V_{IL}$ ,  $CE_2 = V_{IH}$ .
18.  $\overline{WE}$  is HIGH for read cycle.
19. Address valid prior to or coincident with  $\overline{CE}_1$  transition LOW and  $CE_2$  transition HIGH.
20. The internal write time of the memory is defined by the overlap of  $\overline{WE}$ ,  $\overline{CE}_1 = V_{IL}$ , and  $CE_2 = V_{IH}$ . All signals must be ACTIVE to initiate a write and any of these signals can terminate a write by going INACTIVE. The data input setup and hold timing should be referenced to the edge of the signal that terminates the write.
21. Data I/O is high impedance if  $\overline{OE} = V_{IH}$ .
22. If  $\overline{CE}_1$  goes HIGH or  $CE_2$  goes LOW simultaneously with  $\overline{WE}$  HIGH, the output remains in high-impedance state.
23. During this period, the I/Os are in output state and input signals should not be applied.



Switching Waveforms (continued)

Figure 7. Write Cycle No. 2 ( $\overline{CE}_1$  or  $CE_2$  Controlled) [24, 25, 26]

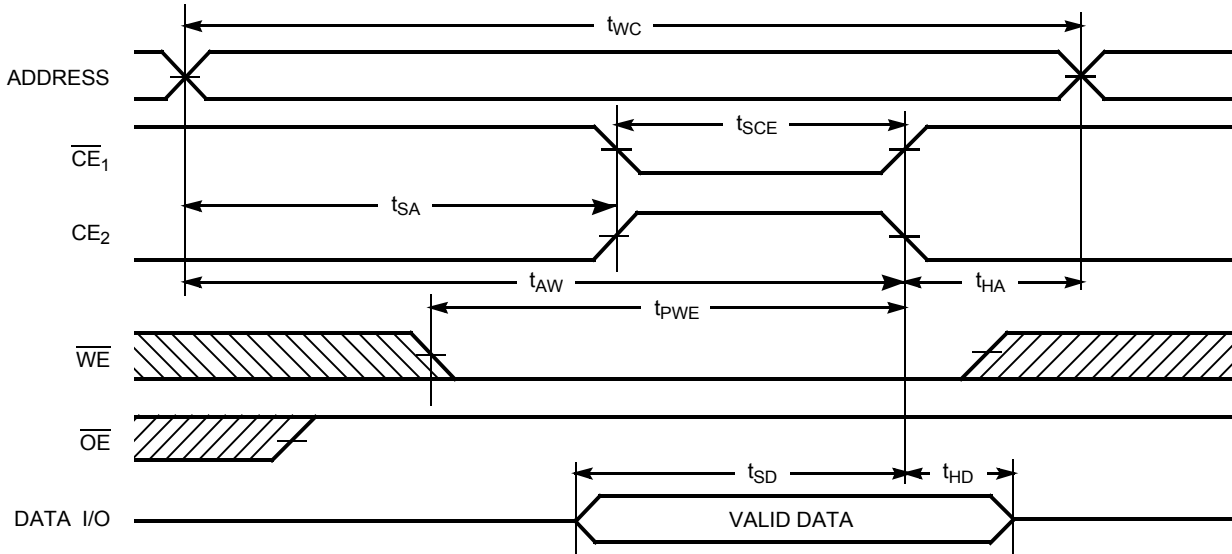
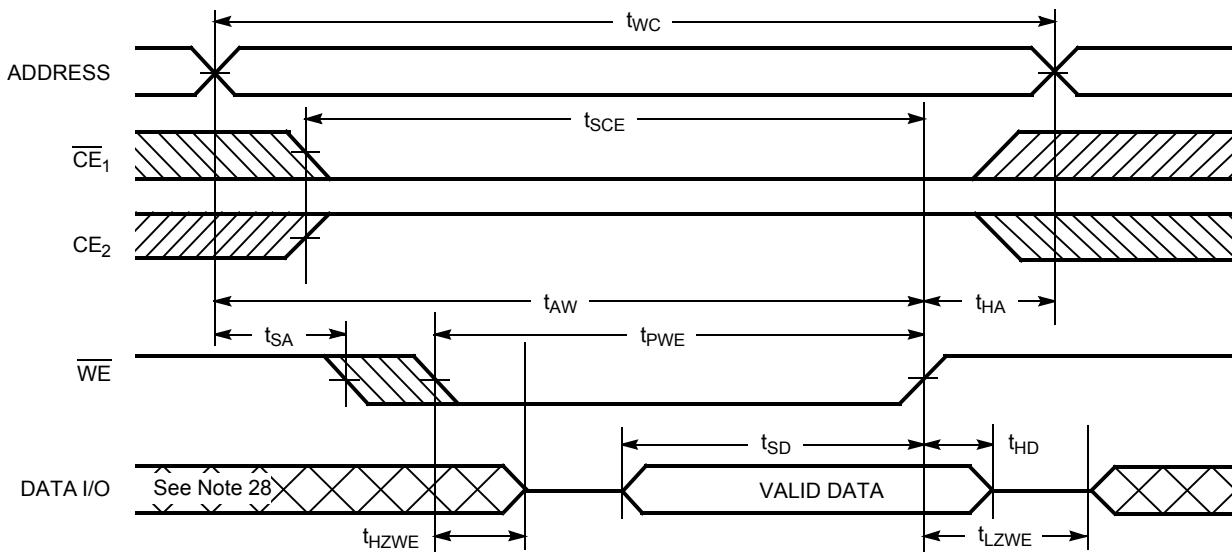


Figure 8. Write Cycle No. 3 ( $\overline{WE}$  Controlled,  $\overline{OE}$  LOW) [27]



Notes

24. The internal write time of the memory is defined by the overlap of  $\overline{WE}$ ,  $\overline{CE}_1 = V_{IL}$ , and  $CE_2 = V_{IH}$ . All signals must be ACTIVE to initiate a write and any of these signals can terminate a write by going INACTIVE. The data input setup and hold timing should be referenced to the edge of the signal that terminates the write.

25. Data I/O is high impedance if  $\overline{OE} = V_{IH}$ .

26. If  $\overline{CE}_1$  goes HIGH or  $CE_2$  goes LOW simultaneously with  $\overline{WE}$  HIGH, the output remains in high-impedance state.

27. The minimum write cycle pulse width should be equal to sum of  $t_{SD}$  and  $t_{HZWE}$ .

28. During this period, the I/Os are in output state and input signals should not be applied.

**Truth Table**

$\overline{CE}_1$	$CE_2$	$\overline{WE}$	$\overline{OE}$	Inputs/Outputs	Mode	Power
H	X	X	X	High Z	Deselect/Power-down	Standby ( $I_{SB}$ )
X	L	X	X	High Z	Deselect/Power-down	Standby ( $I_{SB}$ )
L	H	H	L	Data out ( $I/O_0$ – $I/O_7$ )	Read	Active ( $I_{CC}$ )
L	H	L	X	Data in ( $I/O_0$ – $I/O_7$ )	Write	Active ( $I_{CC}$ )
L	H	H	H	High Z	Output disabled	Active ( $I_{CC}$ )

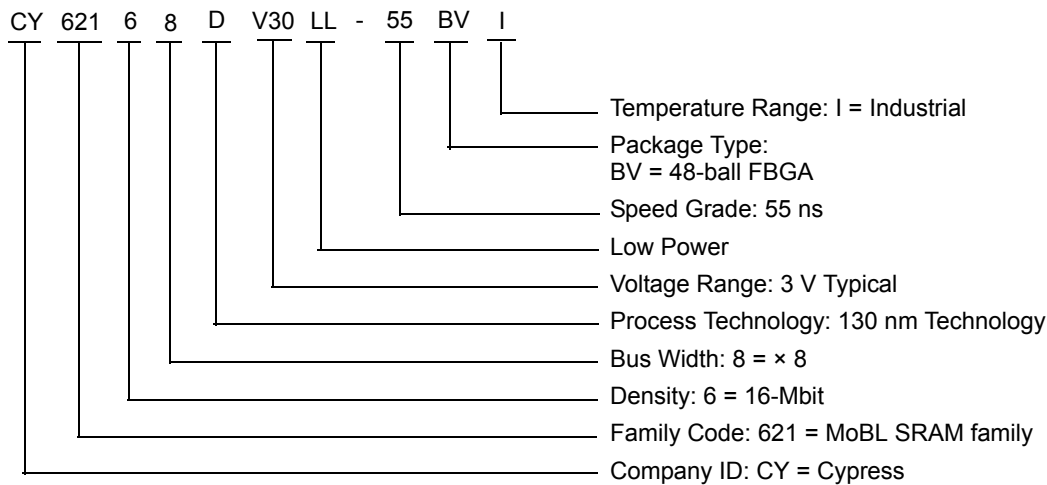
## Ordering Information

The following table contains only the parts that are currently available. If you do not see what you are looking for, contact your local sales representative. For more information, visit the Cypress website at <http://www.cypress.com> and see product summary page at <http://www.cypress.com/products>. Cypress maintains a worldwide network of offices, solution centers, manufacturers representatives and distributors. To find the office closest to you, visit us at <http://www.cypress.com/go/datasheet/offices>.

Speed (ns)	Ordering Code	Package Diagram	Package Type	Operating Range
55	CY62168DV30LL-55BVI	51-85178	48-ball FBGA (8 × 9.5 × 1 mm)	Industrial

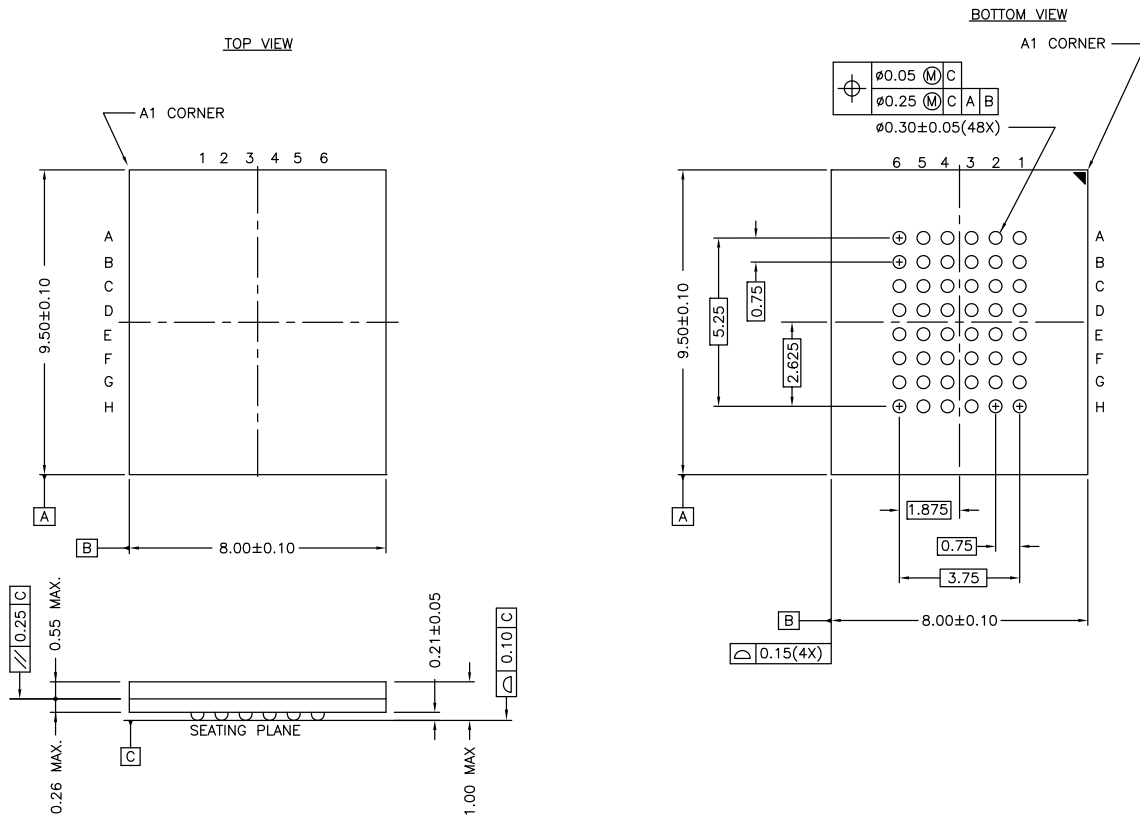
Please contact your local Cypress sales representative for availability of these parts.

## Ordering Code Definitions



Package Diagram

Figure 9. 48-ball VFBGA (8 × 9.5 × 1.0 mm) BV48B Package Outline, 51-85178



51-85178 \*C

## Acronyms

Acronym	Description
CMOS	Complementary Metal Oxide Semiconductor
I/O	Input/Output
SRAM	Static Random Access Memory
VFBGA	Very Fine-Pitch Ball Grid Array
TSOP	Thin Small Outline Package

## Document Conventions

### Units of Measure

Symbol	Unit of Measure
°C	degree Celsius
MHz	megahertz
μA	microampere
mA	milliampere
ns	nanosecond
Ω	ohm
pF	picofarad
V	volt
W	watt

## Document History Page

Document Title: CY62168DV30 MoBL®, 16-Mbit (2 M × 8) Static RAM				
Document Number: 38-05329				
Revision	ECN	Orig. of Change	Submission Date	Description of Change
**	118409	GUG	09/30/02	New data sheet.
*A	123693	DPM	02/05/03	Changed status from Advance Information to Preliminary. Added <a href="#">Package Diagram</a> .
*B	126556	DPM	04/24/03	Minor change: Change sunset owner from DPM to HRT
*C	132869	XRJ	01/15/04	Changed status from Preliminary to Final.
*D	272589	PCI	See ECN	Added Pb-free package related information in all instances across the document. Updated <a href="#">Ordering Information</a> .
*E	335864	PCI	See ECN	Updated <a href="#">Pin Configuration</a> : Updated <a href="#">Figure 1</a> (Added Address A <sub>20</sub> to ball G2). Updated <a href="#">Ordering Information</a> : Removed redundant packages.
*F	492895	VKN	See ECN	Changed address of Cypress Semiconductor Corporation on Page 1 from "3901 North First Street" to "198 Champion Court" Removed 70 ns speed bin related information in all instances across the document. Removed Low Power parts related information in all instances across the document. Updated <a href="#">Ordering Information</a> .
*G	2914085	NIKM	04/15/10	Updated <a href="#">Ordering Information</a> : Removed inactive parts. Updated <a href="#">Package Diagram</a> .
*H	3070774	RAME	10/27/10	Changed all table notes to footnotes in all instances across the document. Added <a href="#">Ordering Code Definitions</a> . Added <a href="#">Acronyms</a> and <a href="#">Units of Measure</a> . Updated to new template.
*I	3090588	AJU	11/19/10	Post to external web.
*J	3329789	RAME	07/27/11	Updated <a href="#">Functional Description</a> : Removed Note "For best-practice recommendations, please refer to the Cypress application note entitled System Design Guidelines, available at <a href="http://www.cypress.com">http://www.cypress.com</a> website" and its reference. Updated to new template.
*K	4192919	VINI	11/15/2013	Updated <a href="#">Package Diagram</a> : spec 51-85178 – Changed revision from *A to *C. Updated to new template. Completing Sunset Review.
*L	4574377	VINI	11/19/2014	Updated <a href="#">Functional Description</a> : Added "For a complete list of related documentation, <a href="#">click here</a> ." at the end.
*M	5036233	VINI	12/03/2015	Updated <a href="#">Switching Characteristics</a> : Added Note 16 and referred the same note in "Write Cycle". Updated <a href="#">Switching Waveforms</a> : Added Note 27 and referred the same note in <a href="#">Figure 8</a> . Updated to new template. Completing Sunset Review.

## Sales, Solutions, and Legal Information

### Worldwide Sales and Design Support

Cypress maintains a worldwide network of offices, solution centers, manufacturer's representatives, and distributors. To find the office closest to you, visit us at [Cypress Locations](#).

#### Products

Automotive	<a href="http://cypress.com/go/automotive">cypress.com/go/automotive</a>
Clocks & Buffers	<a href="http://cypress.com/go/clocks">cypress.com/go/clocks</a>
Interface	<a href="http://cypress.com/go/interface">cypress.com/go/interface</a>
Lighting & Power Control	<a href="http://cypress.com/go/powerpsoc">cypress.com/go/powerpsoc</a>
Memory	<a href="http://cypress.com/go/memory">cypress.com/go/memory</a>
PSoC	<a href="http://cypress.com/go/psoc">cypress.com/go/psoc</a>
Touch Sensing	<a href="http://cypress.com/go/touch">cypress.com/go/touch</a>
USB Controllers	<a href="http://cypress.com/go/USB">cypress.com/go/USB</a>
Wireless/RF	<a href="http://cypress.com/go/wireless">cypress.com/go/wireless</a>

#### PSoC® Solutions

[psoc.cypress.com/solutions](http://psoc.cypress.com/solutions)  
PSoC 1 | PSoC 3 | PSoC 4 | PSoC 5LP

#### Cypress Developer Community

[Community](#) | [Forums](#) | [Blogs](#) | [Video](#) | [Training](#)

#### Technical Support

[cypress.com/go/support](http://cypress.com/go/support)

---

© Cypress Semiconductor Corporation, 2002-2015. The information contained herein is subject to change without notice. Cypress Semiconductor Corporation assumes no responsibility for the use of any circuitry other than circuitry embodied in a Cypress product. Nor does it convey or imply any license under patent or other rights. Cypress products are not warranted nor intended to be used for medical, life support, life saving, critical control or safety applications, unless pursuant to an express written agreement with Cypress. Furthermore, Cypress does not authorize its products for use as critical components in life-support systems where a malfunction or failure may reasonably be expected to result in significant injury to the user. The inclusion of Cypress products in life-support systems application implies that the manufacturer assumes all risk of such use and in doing so indemnifies Cypress against all charges.

Any Source Code (software and/or firmware) is owned by Cypress Semiconductor Corporation (Cypress) and is protected by and subject to worldwide patent protection (United States and foreign), United States copyright laws and international treaty provisions. Cypress hereby grants to licensee a personal, non-exclusive, non-transferable license to copy, use, modify, create derivative works of, and compile the Cypress Source Code and derivative works for the sole purpose of creating custom software and or firmware in support of licensee product to be used only in conjunction with a Cypress integrated circuit as specified in the applicable agreement. Any reproduction, modification, translation, compilation, or representation of this Source Code except as specified above is prohibited without the express written permission of Cypress.

Disclaimer: CYPRESS MAKES NO WARRANTY OF ANY KIND, EXPRESS OR IMPLIED, WITH REGARD TO THIS MATERIAL, INCLUDING, BUT NOT LIMITED TO, THE IMPLIED WARRANTIES OF MERCHANTABILITY AND FITNESS FOR A PARTICULAR PURPOSE. Cypress reserves the right to make changes without further notice to the materials described herein. Cypress does not assume any liability arising out of the application or use of any product or circuit described herein. Cypress does not authorize its products for use as critical components in life-support systems where a malfunction or failure may reasonably be expected to result in significant injury to the user. The inclusion of Cypress' product in a life-support systems application implies that the manufacturer assumes all risk of such use and in doing so indemnifies Cypress against all charges.

Use may be limited by and subject to the applicable Cypress software license agreement.

# Mouser Electronics

Authorized Distributor

Click to View Pricing, Inventory, Delivery & Lifecycle Information:

[Cypress Semiconductor:](#)

[CY62168DV30LL-55BVI](#) [CY62168DV30LL-55BVIT](#)