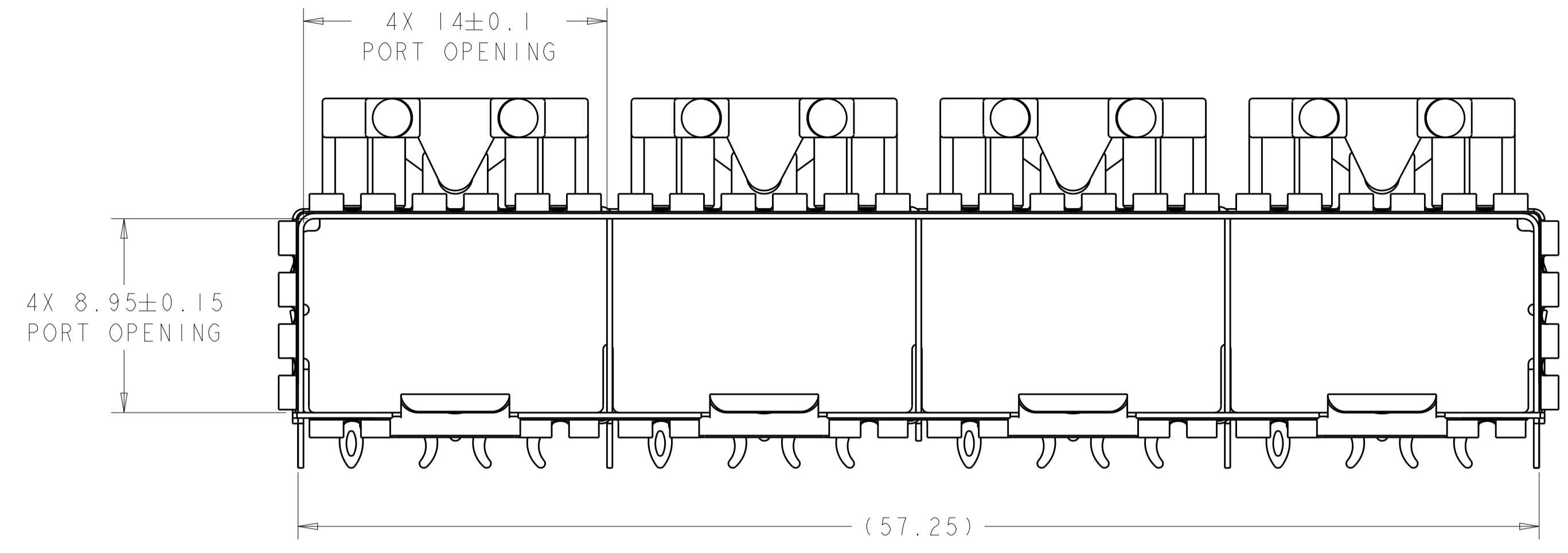
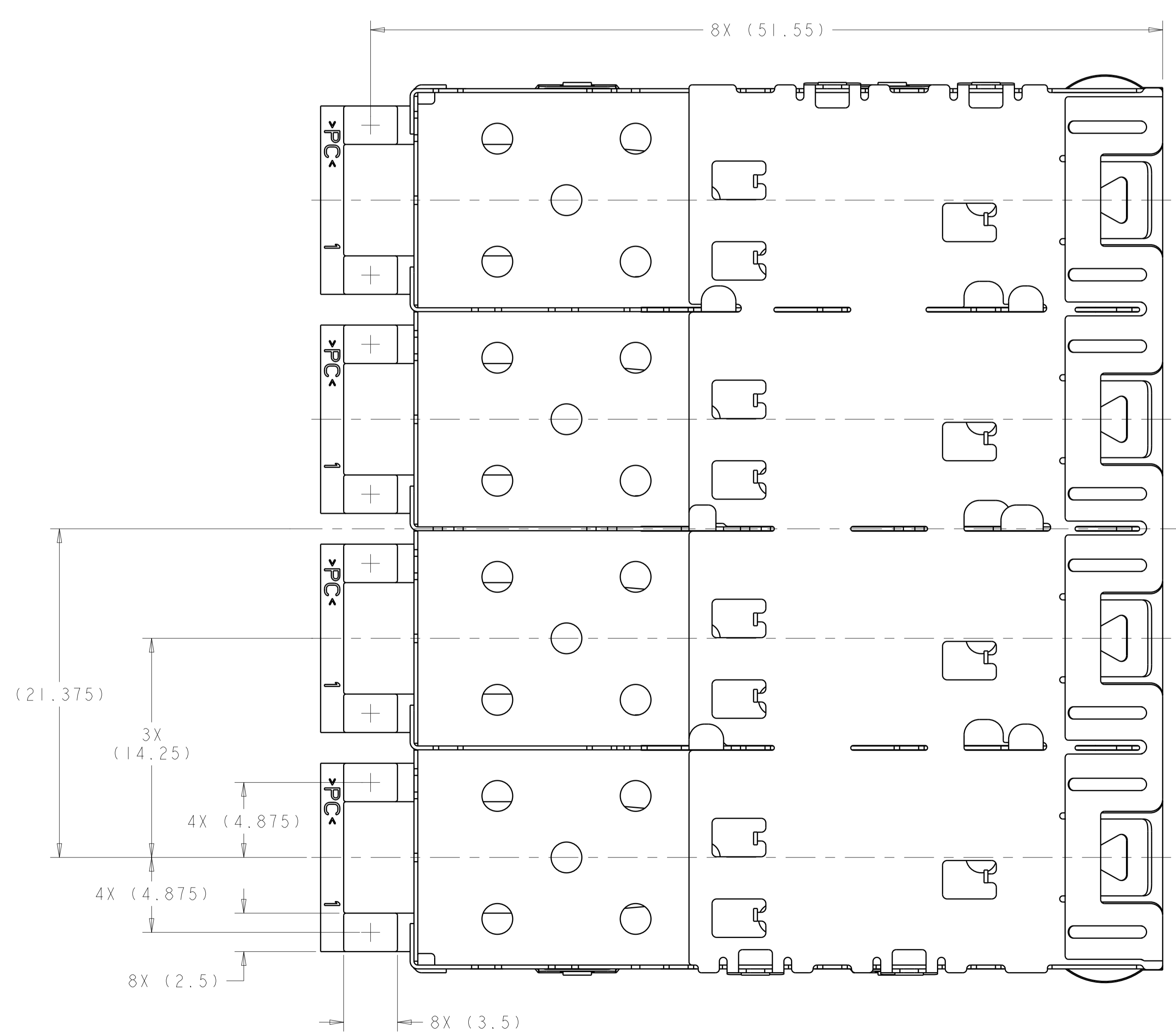
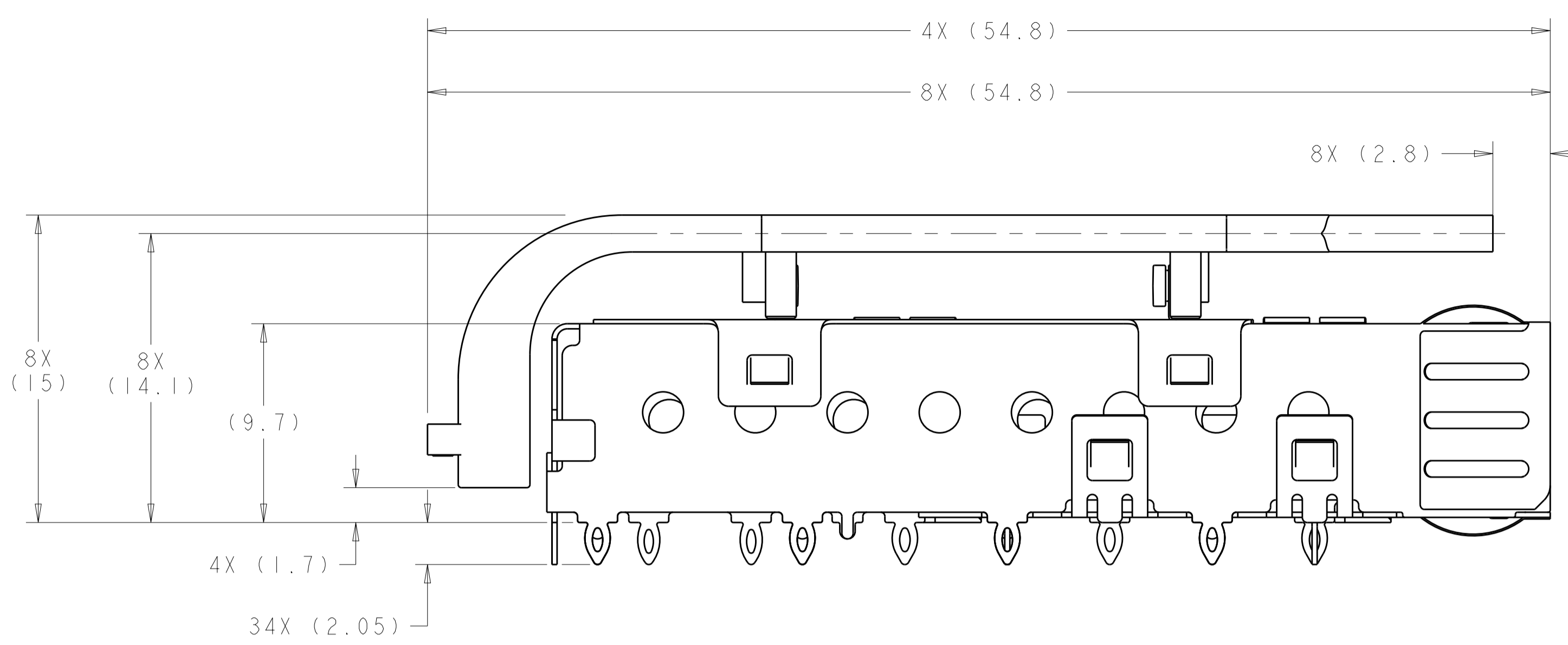
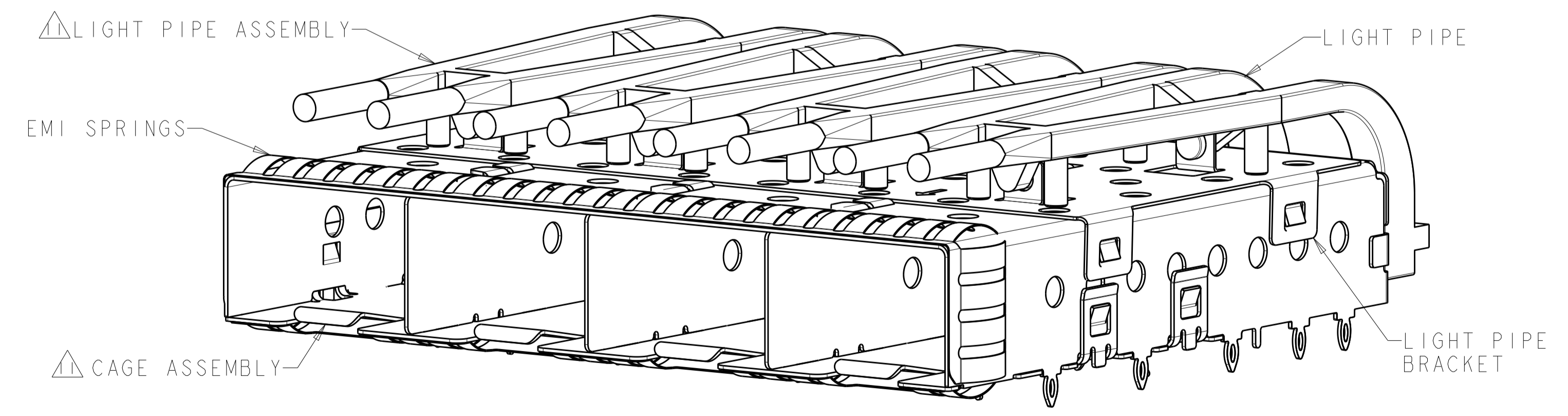


| LOC | | DIST | | REVISIONS | | | |
|-----|----|------|-----|----------------------------|-----------|-----|------|
| GP | 00 | P | LTN | DESCRIPTION | DATE | DWN | APVD |
| | | A | | RELEASED PER ECO-14-000529 | 14JAN2014 | JZ | SH |
| | | A1 | | REMOVE 'PRELIMINARY' MARK | 03SEP2018 | IT | SH |



- △ MATERIAL:
 CAGE ASSEMBLY: NICKEL SILVER ALLOY
 EMI SPRINGS: COPPER ALLOY
 LIGHT PIPE BRACKET: STAINLESS STEEL
 LIGHT PIPE: POLYCARBONATE, CLEAR
- △ FINISH:
 SPRINGS: MINIMUM OF 0.8um TIN PLATE OVER A MINIMUM OF 0.8um NICKEL UNDERPLATE.
 NON-PLATED EDGES PERMISSIBLE.
- △ PADS AND VIAS CHASSIS GROUND.
- △ DATUM AND BASIC DIMENSION ESTABLISHED BY CUSTOMER.
- 5. MATES WITH SFP MSA COMPLIANT TRANSCEIVERS.
- 6. INTERPRETATION OF DATUM REFERENCE FRAME IN ACCORDANCE WITH SECT 4.4.1.1 OF ASME Y14.5M-1994.
- △ REFERENCE APPLICATION SPEC. 114-13120, HOLE A, FOR RECOMMENDED DRILL HOLE DIAMETER AND PLATING THICKNESS.
- △ REFERENCE APPLICATION SPEC. 114-13120, HOLE B, FOR RECOMMENDED DRILL HOLE DIAMETER AND PLATING THICKNESS.
- △ HOLE PATTERN REPEATS FOR EACH PORT. SPACING BETWEEN PORTS IS 14.25mm.
- △ MINIMUM PCB THICKNESS:
 SINGLE SIDED = 1.5mm
 DOUBLE SIDED = 2.25mm
- △ LIGHT PIPE ASSEMBLY SHIPPED UNASSEMBLED TO CAGE ASSEMBLY. CAGE ASSEMBLY TO BE PRESSED INTO THE PCB PRIOR TO ATTACHING THE LIGHT PIPE ASSEMBLY TO THE CAGE.
- 12. CERTAIN MATING TRANSCEIVERS MAY REQUIRE ADDITIONAL PCB THICKNESS THAT WOULD NEED TO BE DETERMINED BY THE CUSTOMER.

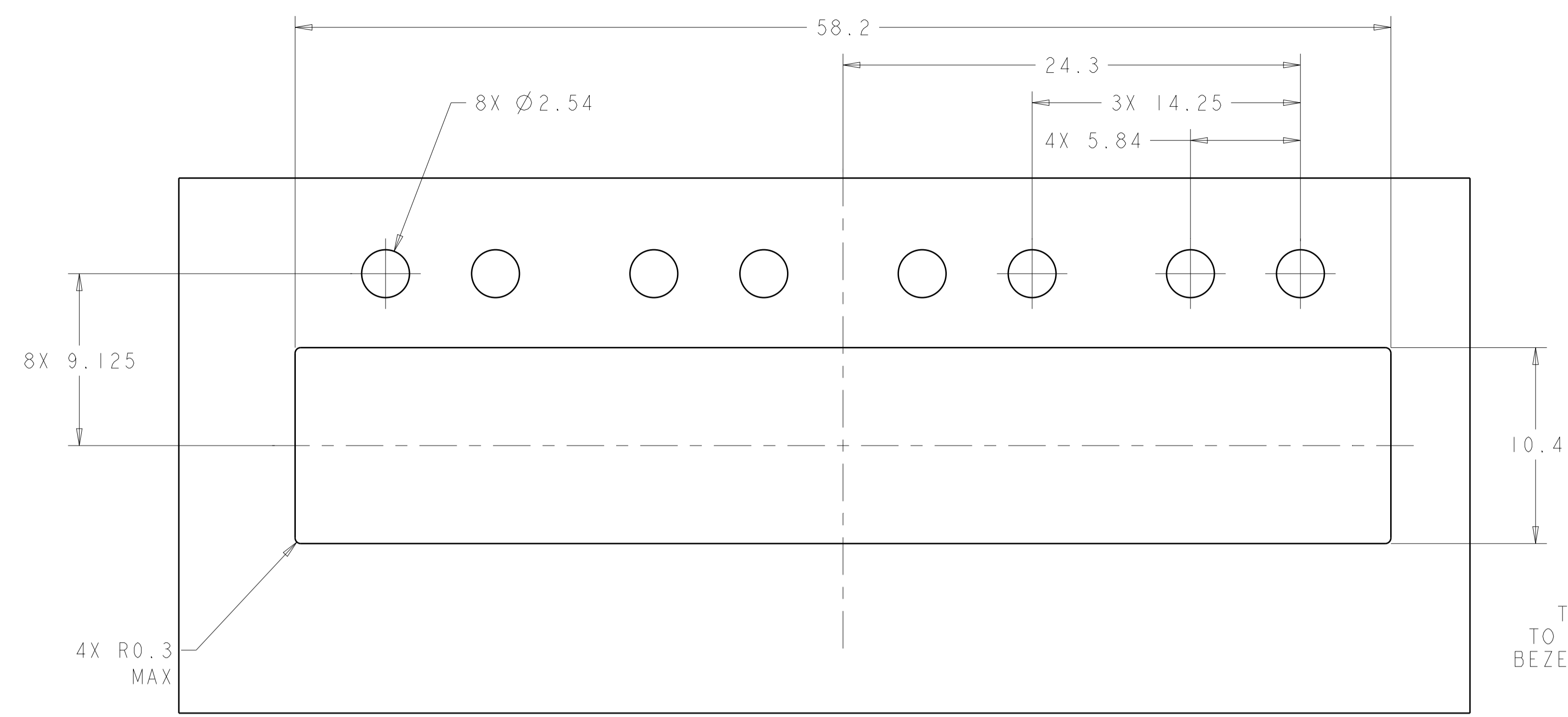


2110069-1
 SCALE 4:1

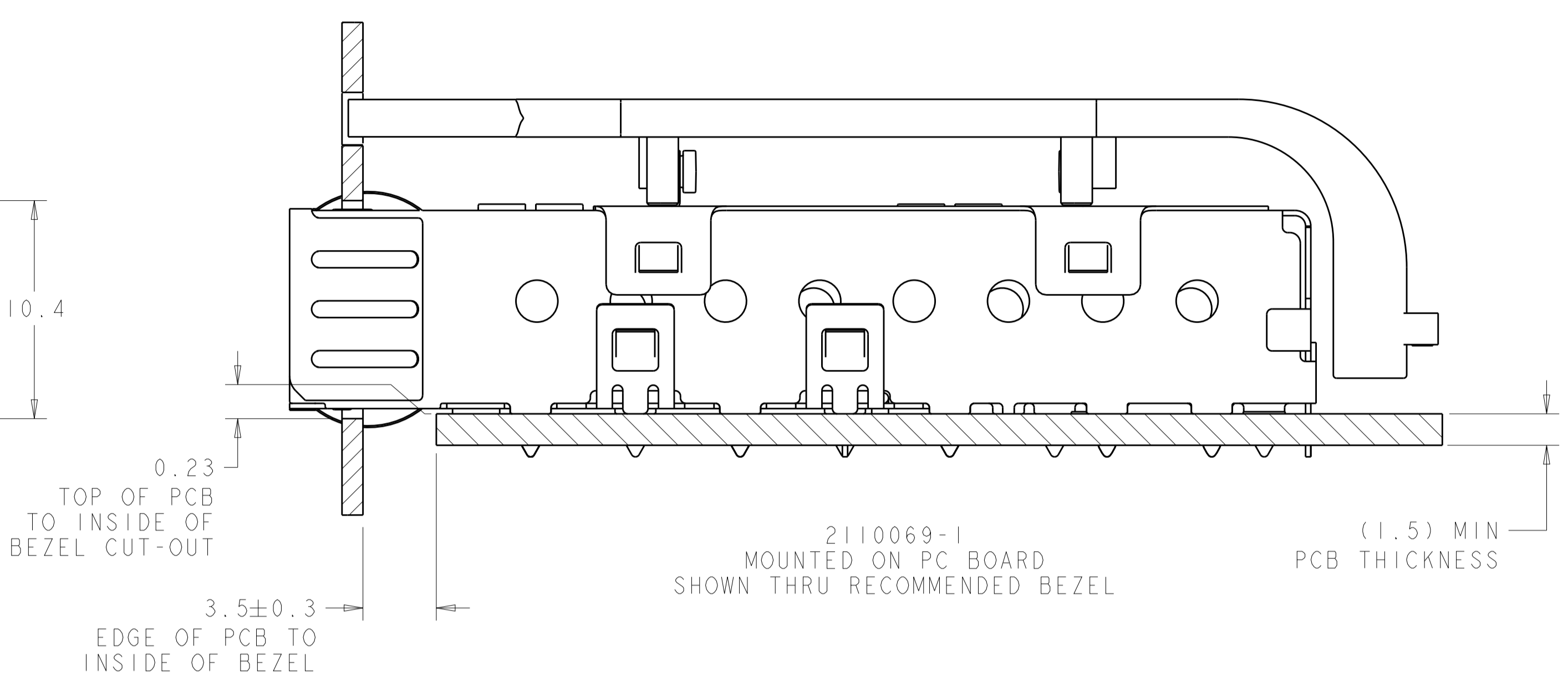
2110069-1
 PART NUMBER

| | | | |
|--|------|-----------------------------------|---|
| THIS DRAWING IS A CONTROLLED DOCUMENT. | | DWN Z. M. BEAM 16JAN2009 | TE Connectivity |
| DIMENSIONS: mm | | CHK M. R. SCHMITT 16JAN2009 | |
| TOLERANCES UNLESS OTHERWISE SPECIFIED: | | APVD P. H. WERTZ 16JAN2009 | NAME SFP+ 1X4 CAGE ASSEMBLY PRESS-FIT, EXTERNAL EMI SPRINGS W/ REDUCED LENGTH LIGHT PIPE |
| 0 PLC | ±0.1 | PRODUCT SPEC | SIZE 108-2364 |
| 1 PLC | ±0.1 | APPLICATION SPEC | RESTRICTED TO |
| 2 PLC | ±0.1 | 114-13120 | A100779C=2110069 |
| 3 PLC | ±0.1 | WEIGHT | CUSTOMER DRAWING |
| 4 PLC | ±0.1 | SCALE | 5:1 |
| ANGLES | ±1° | SHEET | 1 of 4 |
| FINISH | △2 | REV | A1 |

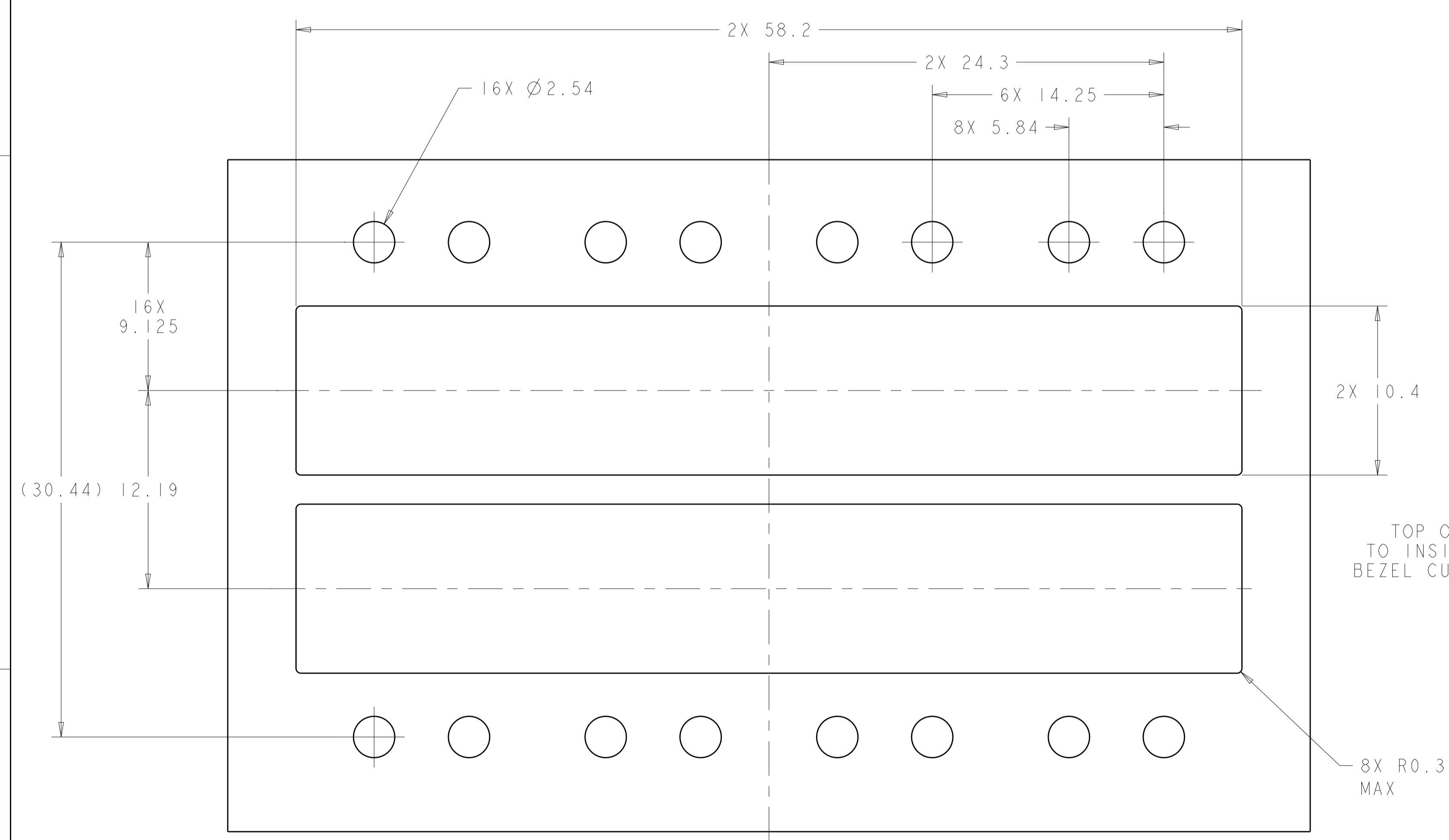
| LOC | DIST | REVISIONS | | | |
|-----|------|-------------|------|----|------|
| GP | 00 | REV | DATE | BY | APPV |
| - | - | SEE SHEET 1 | - | - | - |



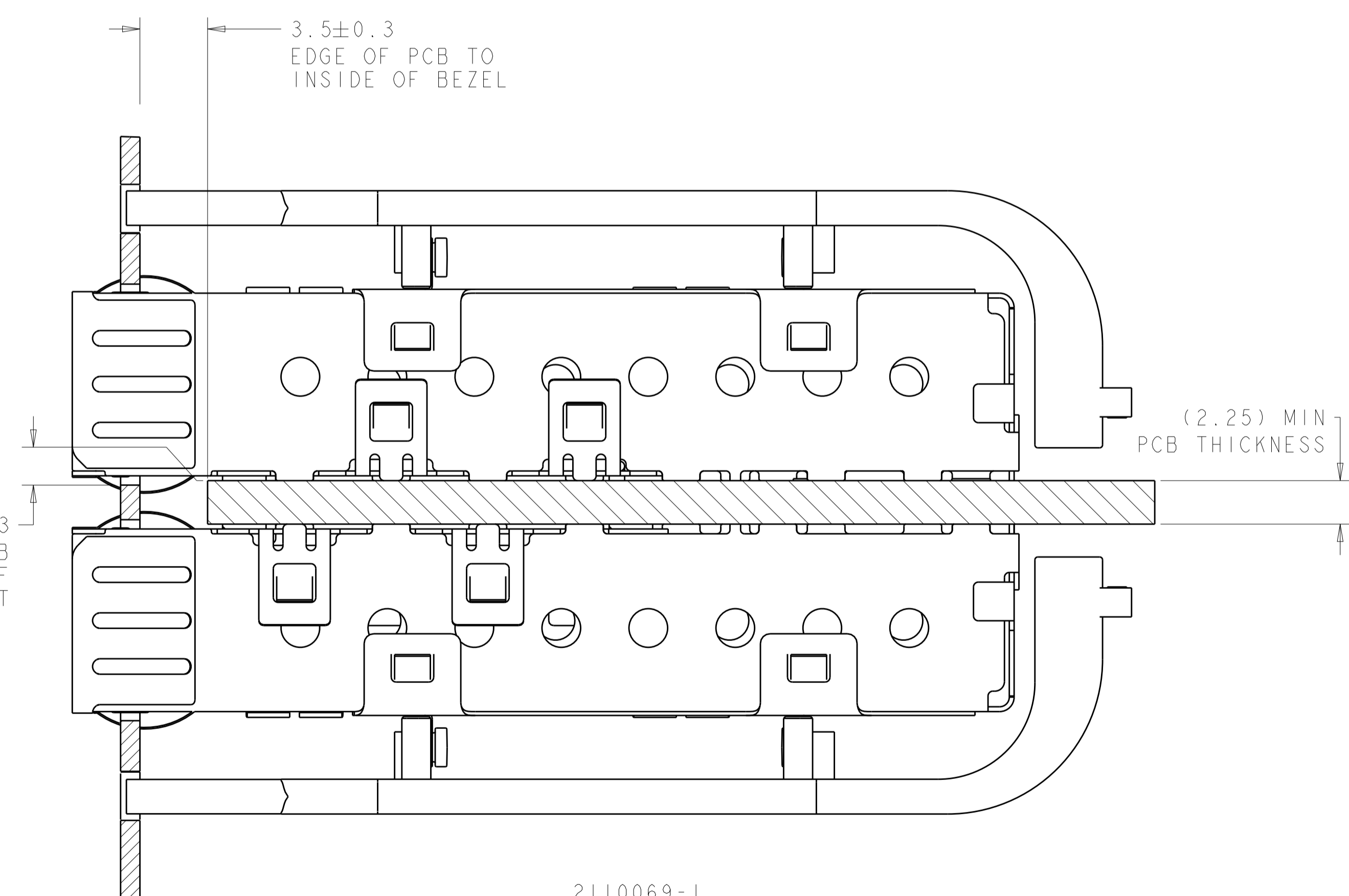
RECOMMENDED BEZEL CUT-OUT
SINGLE SIDED APPLICATIONS



2110069-1
MOUNTED ON PC BOARD
SHOWN THRU RECOMMENDED BEZEL



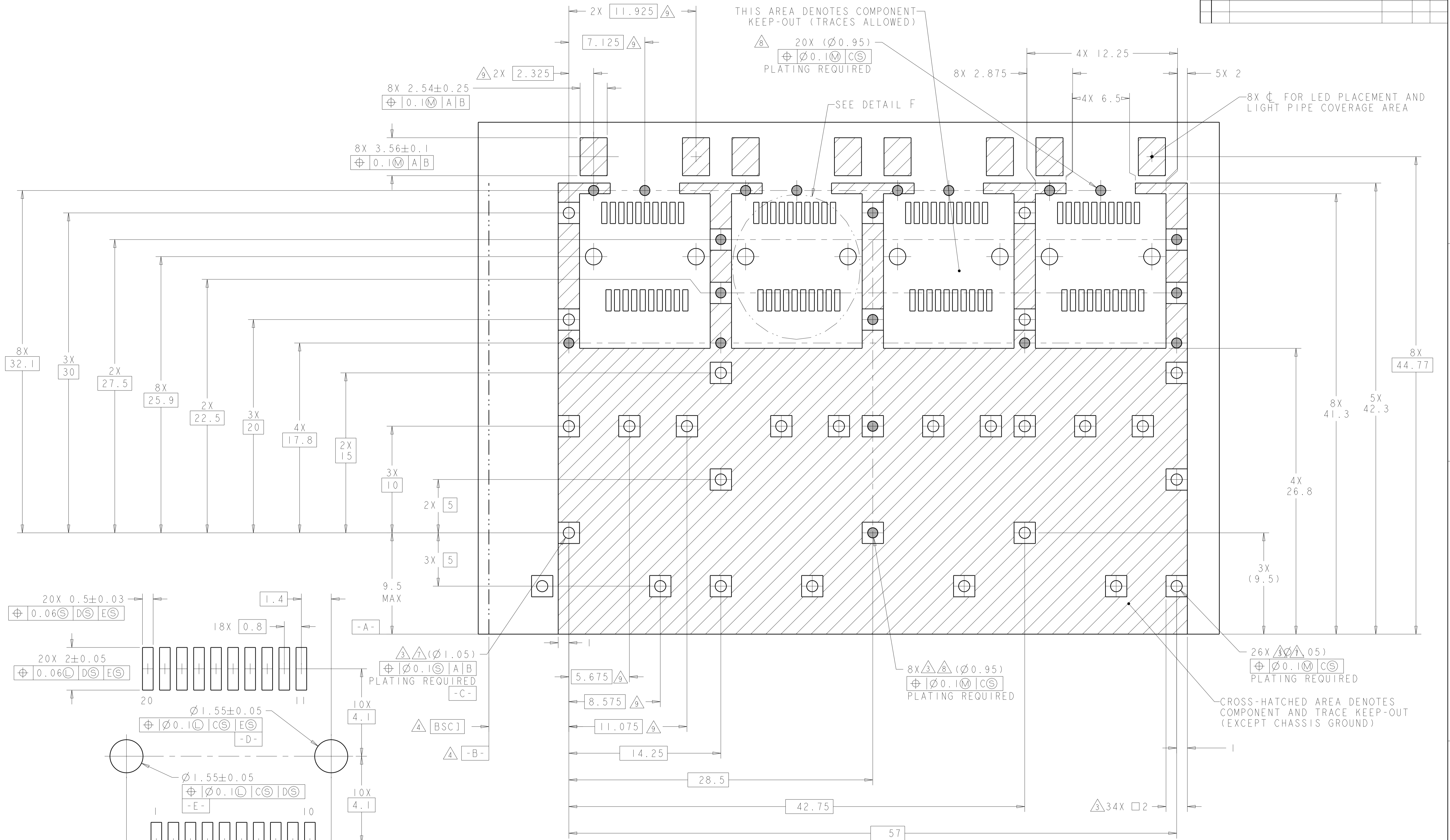
RECOMMENDED BEZEL CUT-OUT
BELLY TO BELLY APPLICATIONS



2110069-1
MOUNTED BELLY TO BELLY ON PC BOARD
SHOWN THRU RECOMMENDED BEZEL

| | | | | |
|--|--|--|---|--------|
| THIS DRAWING IS A CONTROLLED DOCUMENT. | | OWN Z. M. BEAM 16 JAN 2009 | TE Connectivity | |
| DIMENSIONS: | | CHK M. R. SCHMITT 16 JAN 2009 | | |
| mm | TOLERANCES UNLESS OTHERWISE SPECIFIED: | APPV R. H. WERTZ 16 JAN 2009 | NAME SFP+ 1X4 CAGE ASSEMBLY PRESS-FIT, EXTERNAL EMI SPRINGS W/ REDUCED LENGTH LIGHT PIPE | |
| | 0 PLC ±0.1 1 PLC ±0.1 2 PLC ±0.1 3 PLC ±0.1 4 PLC ±0.1 ANGLES ±1° | PRODUCT SPEC 108-2364 APPLICATION SPEC | SIZE 114-13120 | |
| MATERIAL | FINISH | WEIGHT | RESTRICTED TO | |
| CUSTOMER DRAWING | | SCALE 5:1 | SHEET 2 OF 4 | REV A1 |

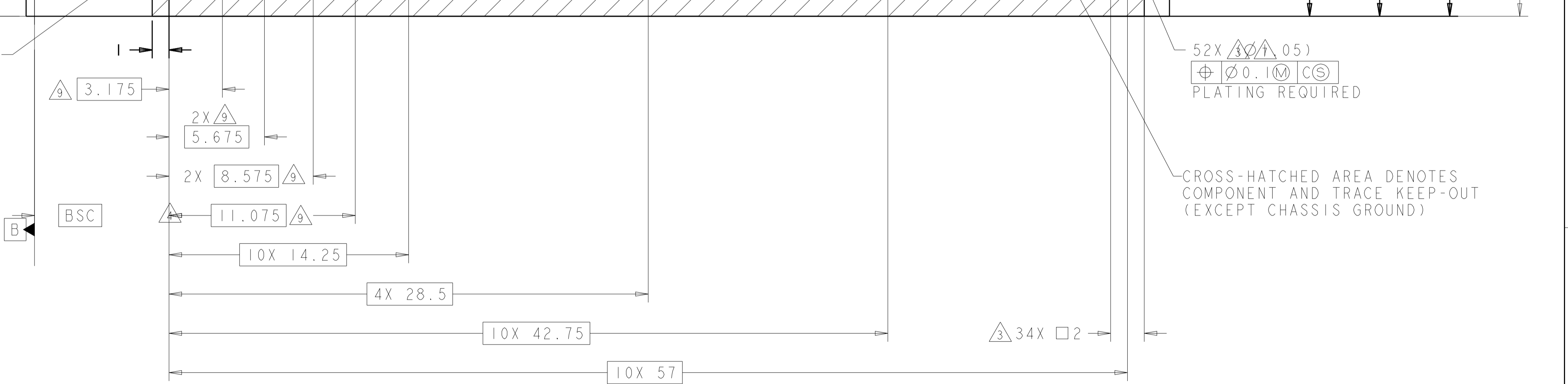
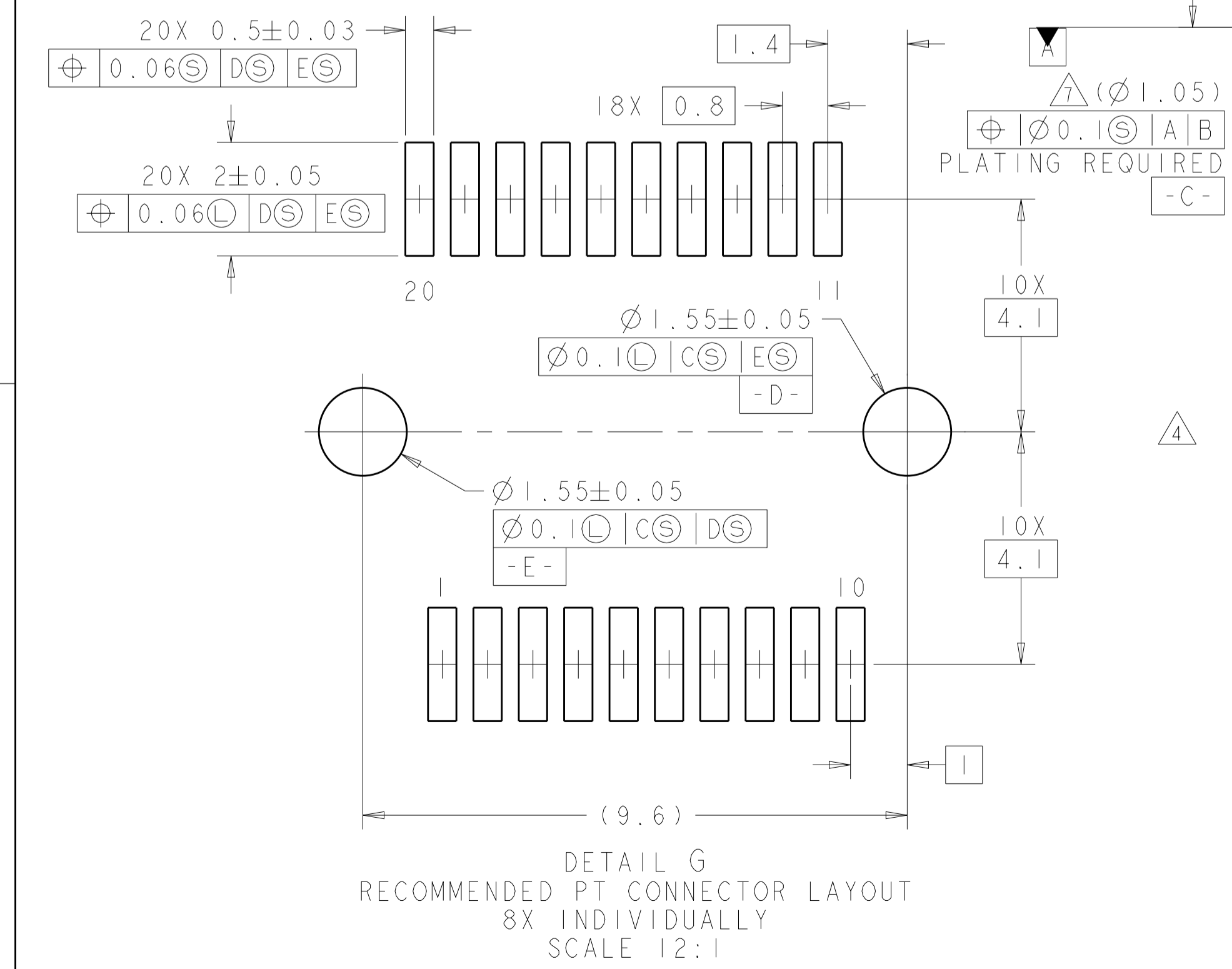
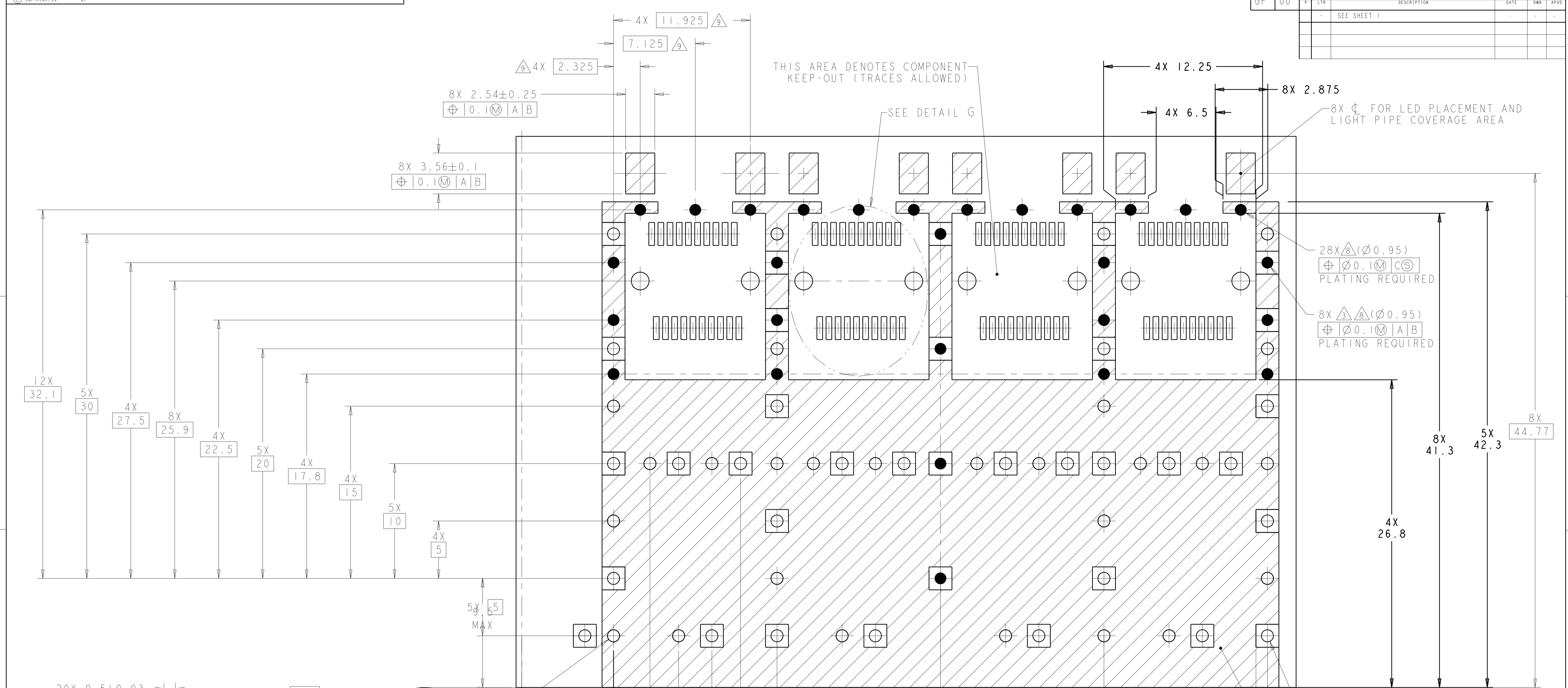
| LOC | DIST | REV | DATE | BY | APPV |
|-----------|------|-------------|------|----|------|
| GP | 00 | | | | |
| REVISIONS | | | | | |
| | | SEE SHEET 1 | | | |



RECOMMENDED PCB CONFIGURATION WITH KEEP-OUT AREAS
 SINGLE SIDED APPLICATIONS
 SCALE 6:1

| | | | | |
|--|------|--------------------|-------------|--|
| THIS DRAWING IS A CONTROLLED DOCUMENT. | | OWN: Z. M. REAM | 16 JAN 2009 | TE Connectivity NAME: SFP+ 1X4 CAGE ASSEMBLY PRESS-FIT, EXTERNAL EMI SPRINGS W/ REDUCED LENGTH LIGHT PIPE |
| DIMENSIONS: mm | | CHK: M. R. SCHMITT | 16 JAN 2009 | |
| TOLERANCES UNLESS OTHERWISE SPECIFIED: | | APVD: B. H. WERTZ | 16 JAN 2009 | SIZE: A1 |
| 0 PLC | ±0.1 | PRODUCT SPEC | | RESTRICTED TO |
| 1 PLC | ±0.1 | 108-2364 | | |
| 2 PLC | ±0.1 | APPLICATION SPEC | | |
| 3 PLC | ±0.1 | 114-13120 | | |
| 4 PLC | ±0.1 | WEIGHT | | |
| ANGLES | ±1° | CUSTOMER DRAWING | | |
| MATERIAL | | SCALE: 5:1 | | |
| FINISH | | SHEET 3 OF 4 | | |

| LOC | DIST | REV | DATE | BY | CHKD | APVD |
|-----|------|-----|------|----|------|------|
| GP | 00 | | | | | |



RECOMMENDED PCB CONFIGURATION WITH KEEP-OUT AREAS BELLY TO BELLY APPLICATIONS
 SCALE 6:1

| | | | |
|--|--------|--------------------|---------------------------------|
| THIS DRAWING IS A CONTROLLED DOCUMENT. | | OWN: M. REAM | 16 JAN 2009 |
| DIMENSIONS: mm | | CHK: M. R. SCHMITT | 16 JAN 2009 |
| TOLERANCES UNLESS OTHERWISE SPECIFIED: | | APVD: P. H. WERTZ | 16 JAN 2009 |
| 0 PLC | ±0.1 | PRODUCT SPEC | NAME |
| 1 PLC | ±0.1 | 108-2364 | SFP+ 1X4 CAGE ASSEMBLY |
| 2 PLC | ±0.1 | APPLICATION SPEC | PRESS-FIT, EXTERNAL EMI SPRINGS |
| 3 PLC | ±0.1 | 114-13120 | W/ REDUCED LENGTH LIGHT PIPE |
| 4 PLC | ±0.1 | WEIGHT | SIZE |
| ANGLES | ±0.1 | A100779C=2110069 | RESTRICTED TO |
| MATERIAL | FINISH | CUSTOMER DRAWING | SCALE 5:1 SHEET 4 OF 4 REV A1 |

Mouser Electronics

Authorized Distributor

Click to View Pricing, Inventory, Delivery & Lifecycle Information:

[TE Connectivity:](#)

[2110069-1](#)