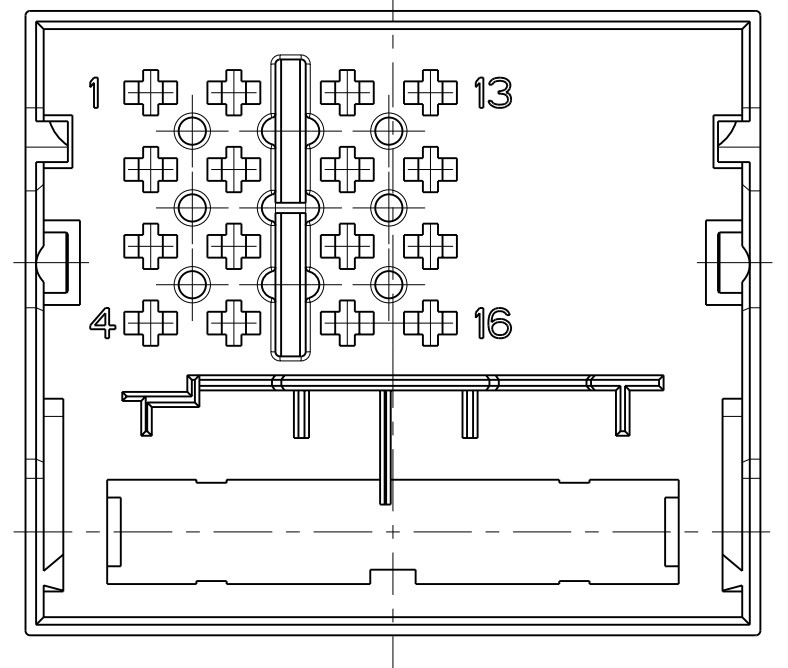
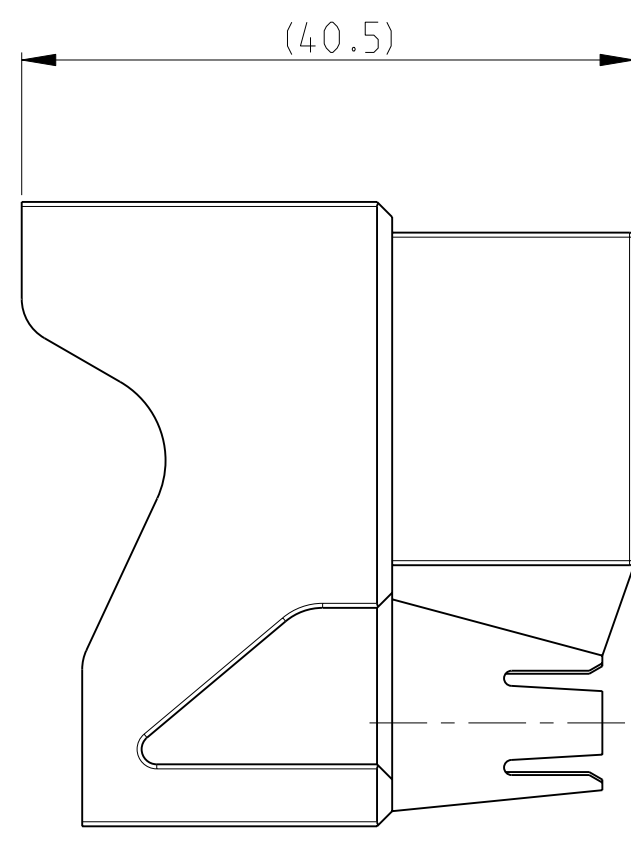
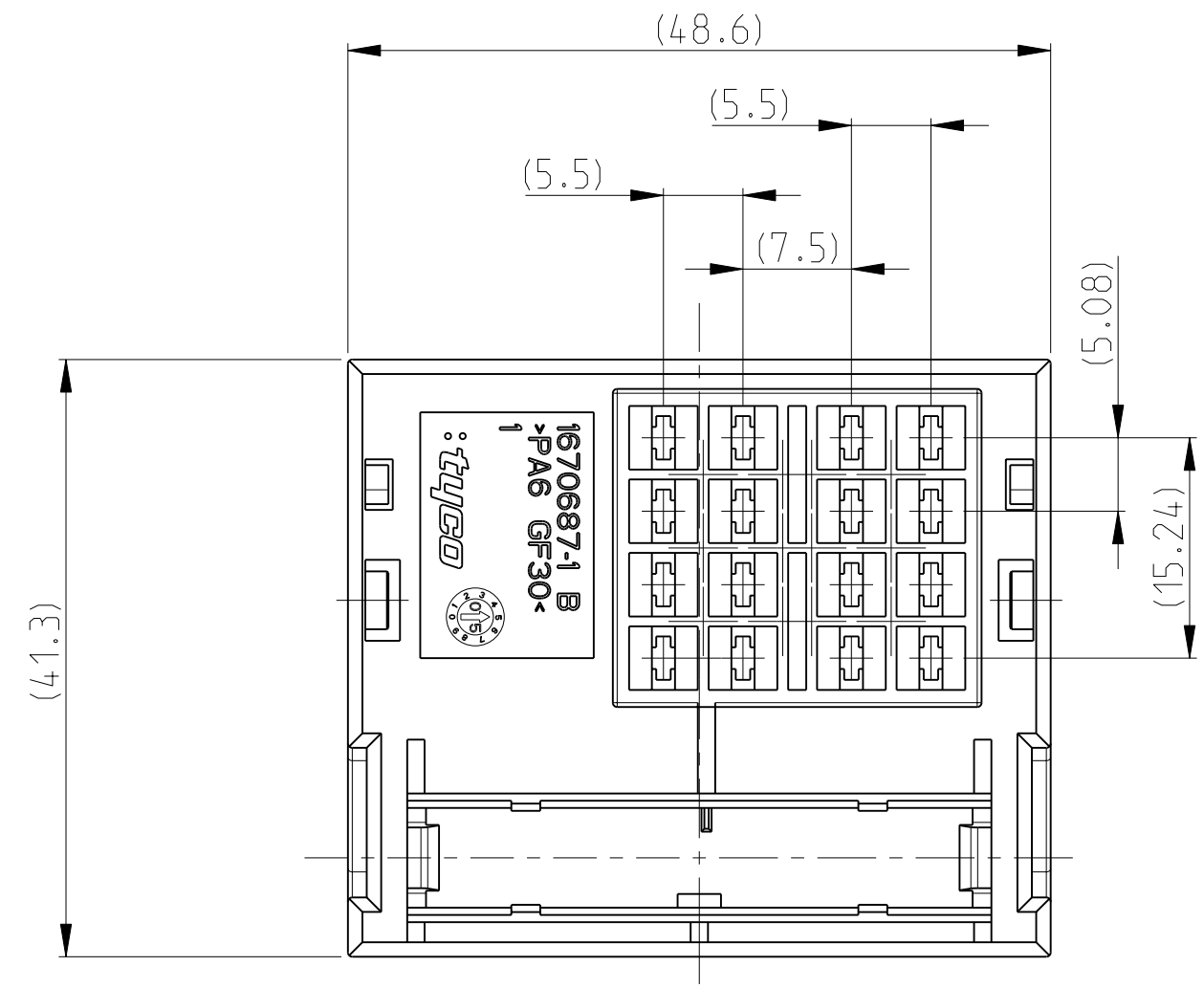
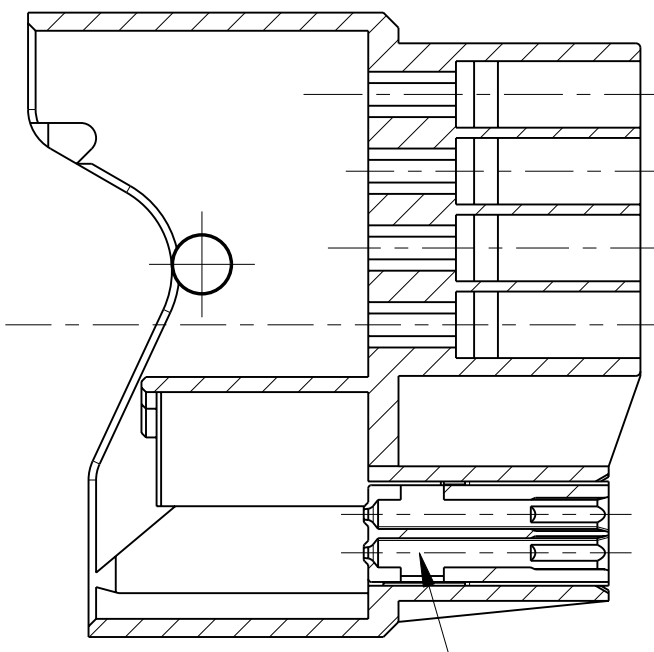


THIS DRAWING IS UNPUBLISHED. RELEASED FOR PUBLICATION 2006
 © COPYRIGHT 2006 BY TYCO ELECTRONICS CORPORATION. ALL RIGHTS RESERVED.

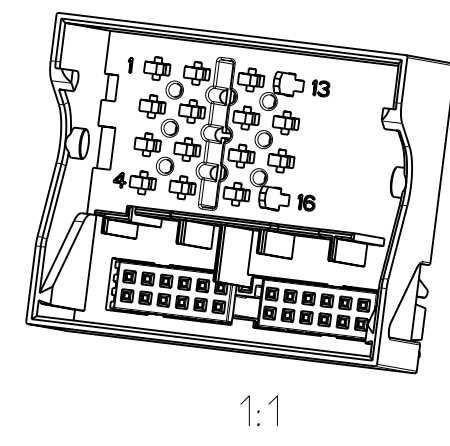
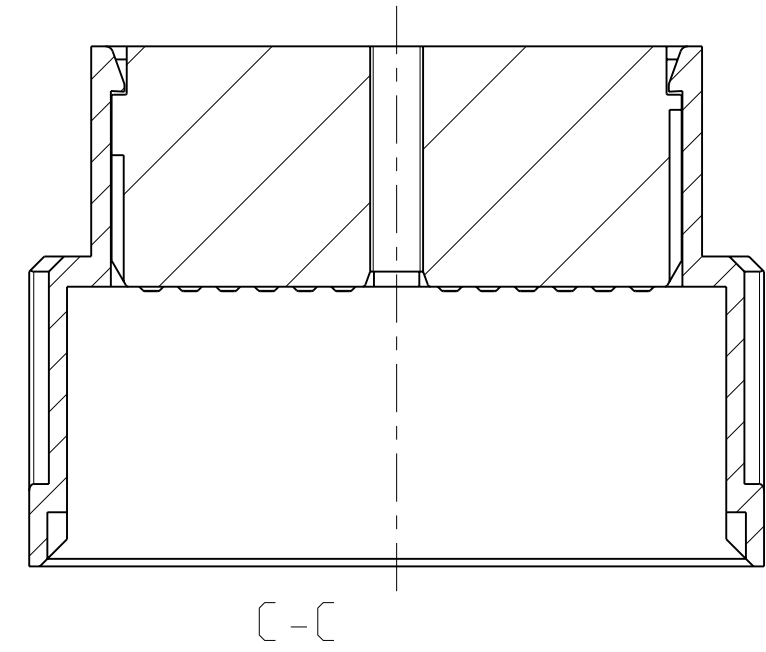
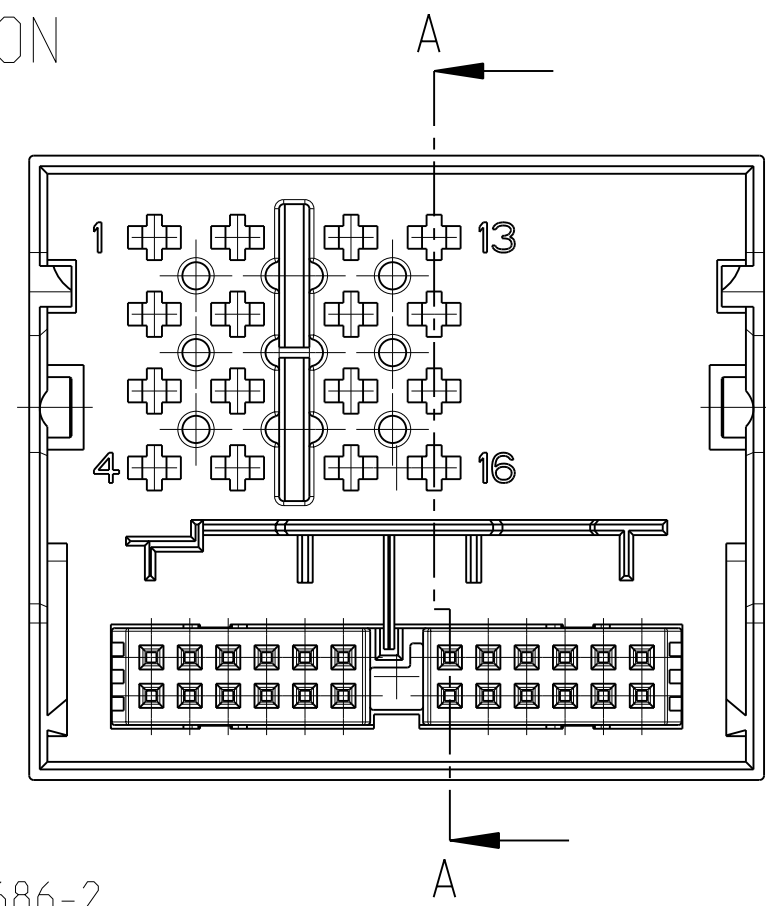
LOC	DIST	REVISIONS			
P	LTR	DESCRIPTION	DATE	DWN	APVD
A	-		22NOV2006	-	-
A1		ECR-09-004900	03MAR2009	MM	BF
B		ECR-09-026741	08DEC2009	MM	BF



ONLY FOR INFORMATION
 NUR ZUR INFORMATION



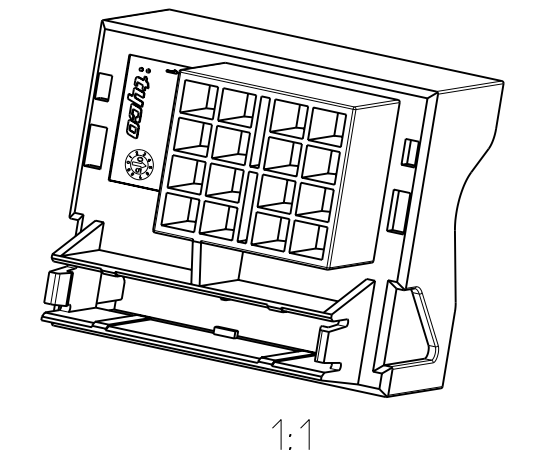
A-A SUITABLE WITH 1670686-2



1:1

NOTES:
 Bemerkungen:

- SUITABLE FOR TE-PN 1241765-2
 Passend fuer Buchsengehaeuse TE-PN 1241765-2
- CONTACT-CAVITIES SUITABLE FOR TE-CONTACT 0-160743-4
 Kontaktkammern passend fuer TE-Kontakt 0160743-4
- PACKAGING : 350 PIECES IN CARTON
 Verpackung: 350 Teile im Karton



1:1

1670687-1	HOUSING 16 POS. RADIO ADAPTER	PA6 GF30	BLACK	1
ORDER-PART NO	DESCRIPTION	MATERIAL	COLOUR	ITEM NO

<small>THIS DRAWING IS A CONTROLLED DOCUMENT FOR TYCO ELECTRONICS CORPORATION IT IS SUBJECT TO CHANGE AND THE CONTROLLING ENGINEERING ORGANIZATION SHOULD BE CONTACTED FOR THE LATEST REVISION.</small>		DWN M.Menzel 22NOV2006 CHK B.Fieberling 22NOV2006 APVD -	Tyco Electronics tyco Electronics AMP GmbH 64625 Bensheim (Germany)
DIMENSIONS: mm 	TOLERANCES UNLESS OTHERWISE SPECIFIED: 0 PLC ±- 1 PLC ±- 2 PLC ±- 3 PLC ±- 4 PLC ±- ANGLES ±1° FINISH	NAME housing PRODUCT SPEC - APPLICATION SPEC - WEIGHT - CUSTOMER DRAWING	SIZE A2 CAGE CODE 00779 DRAWING NO C-1670687 RESTRICTED TO - SCALE 2:1 SHEET 1 OF 1 REV B

Mouser Electronics

Authorized Distributor

Click to View Pricing, Inventory, Delivery & Lifecycle Information:

[TE Connectivity:](#)

[1670687-1](#)