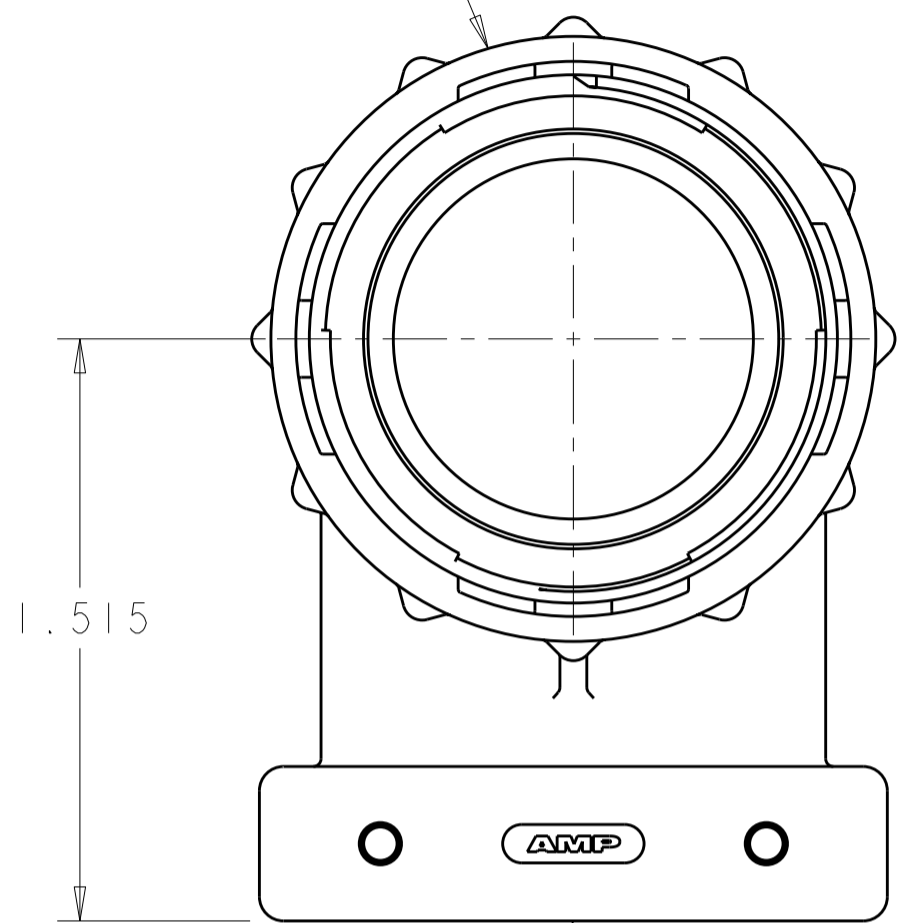


THIS DRAWING IS UNPUBLISHED. RELEASED FOR PUBLICATION
 © COPYRIGHT 20 BY TYCO ELECTRONICS CORPORATION. ALL RIGHTS RESERVED.

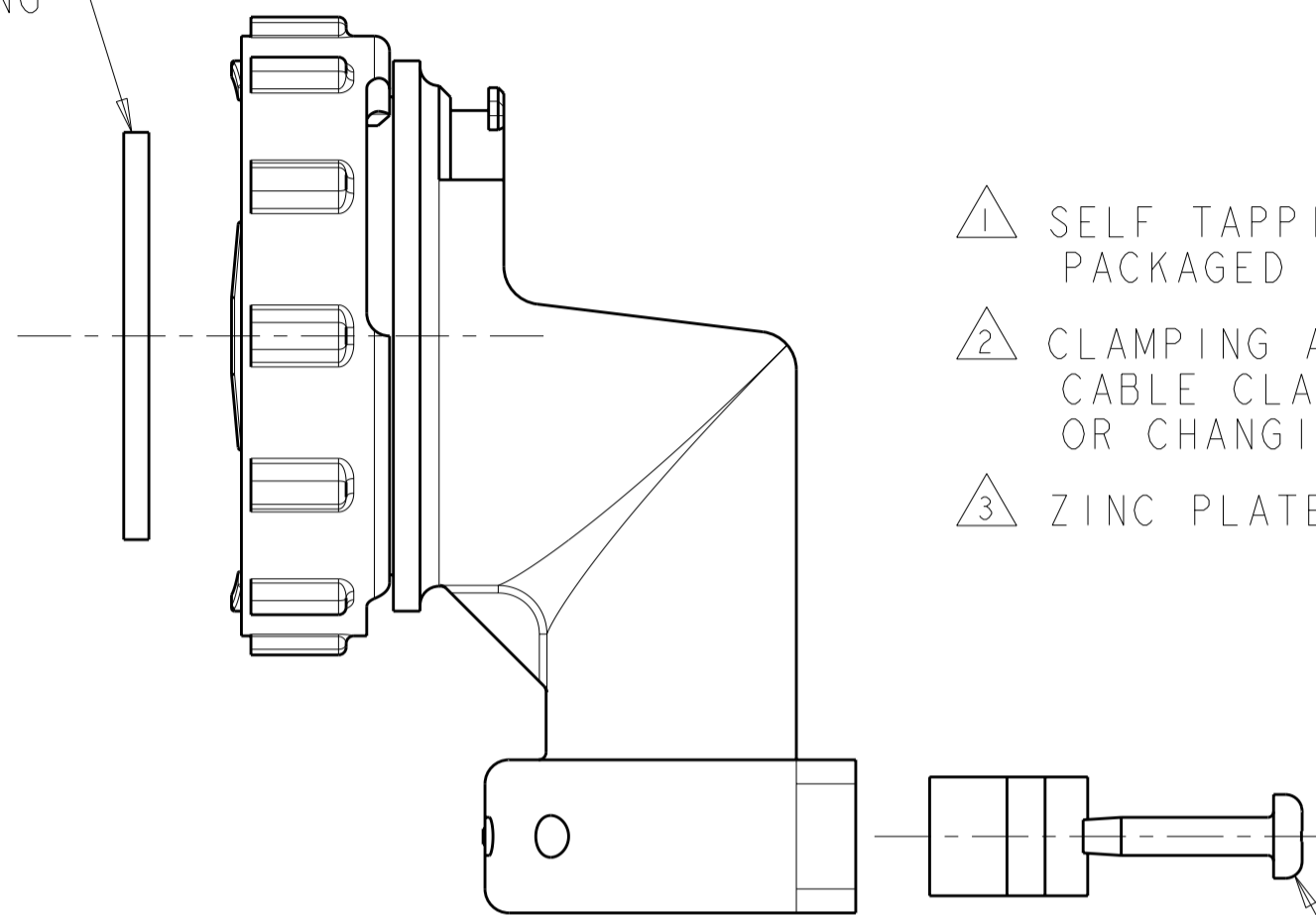
LOC		DIST		REVISIONS			
P	LTR	DESCRIPTION	DATE	DWN	APVD		
	D	REVISED PER ECO-10-012730	20SEP10	HMR	MG		

COUPLING RING
 NYLON, COLOR:BLACK



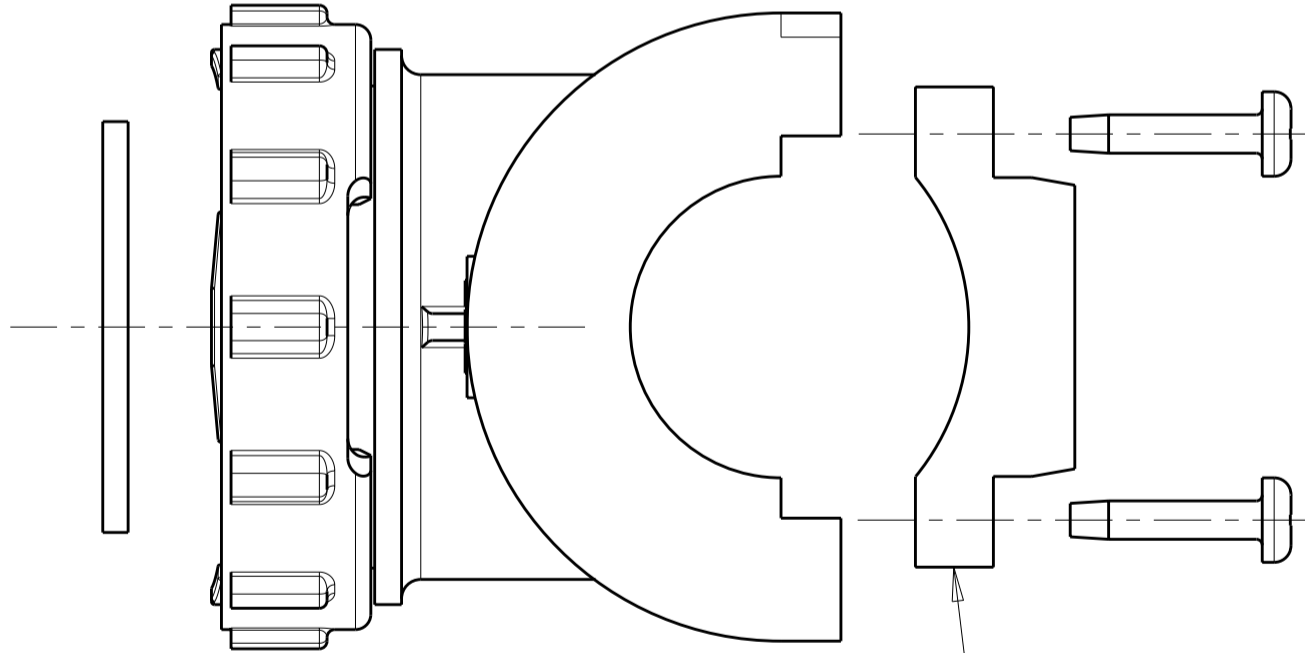
CABLE CLAMP BODY
 NYLON, COLOR:BLACK

FLAT RING

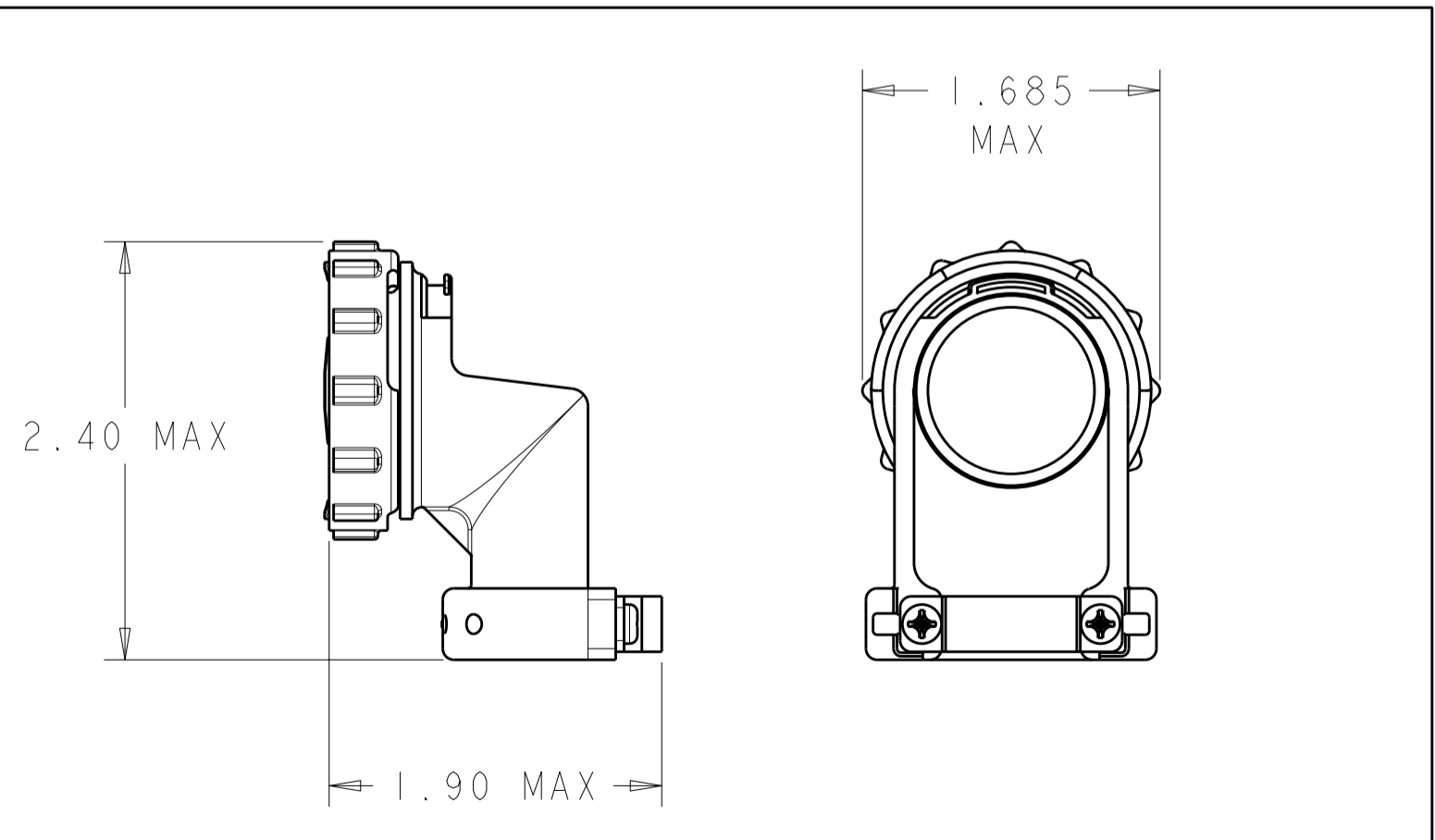


- ① SELF TAPPING SCREWS AND CABLE CLAMP INSERTS PACKAGED UNASSEMBLED.
- ② CLAMPING AREA ADJUSTABLE TO .703 O.D. MAX CABLE. CABLE CLAMP INSERTS CAN BE ADJUSTED BY INVERTING OR CHANGING CABLE CLAMP INSERT.
- ③ ZINC PLATED NON-HEXAVALENT CHROMATE.

① 5-20 SELF TAPPING SCREW
 MATERIAL: STEEL
 FINISH: SEE TABLE
 QTY: 2
 LENGTH: .50^{+.00}_{-.05}



CABLE CLAMP INSERT
 NYLON, COLOR:BLACK
 QTY: 2



ASSEMBLED VIEW
 SCALE: 1:1

③	796382-2
③	796382-1
SCREW FINISH	PART NUMBER

SUPERSEDED BY -2

<small>THIS DRAWING IS A CONTROLLED DOCUMENT FOR TYCO ELECTRONICS CORPORATION. IT IS SUBJECT TO CHANGE AND THE CONTROLLING ENGINEERING ORGANIZATION SHOULD BE CONTACTED FOR THE LATEST REVISION.</small>		DWN S.WELDON 19JAN2000 CHK M.CHACKO 19JAN2000 APVD M.CHACKO 19JAN2000	AMP Incorporated Harrisburg, PA 17105-3608
DIMENSIONS: INCHES	TOLERANCES UNLESS OTHERWISE SPECIFIED: 0 PLC ± 1 PLC ± 2 PLC ± 3 PLC ±0.005 4 PLC ± ANGLES ± FINISH ±	PRODUCT SPEC APPLICATION SPEC	NAME CABLE CLAMP KIT, UNASSEMBLED, RIGHT ANGLE, SIZE 23, CPC
MATERIAL		WEIGHT	SIZE A2 CAGE CODE 00779 DRAWING NO. C-796382 RESTRICTED TO
CUSTOMER DRAWING		SCALE 2:1	SHEET 1 OF 1 REV D

Mouser Electronics

Authorized Distributor

Click to View Pricing, Inventory, Delivery & Lifecycle Information:

[TE Connectivity:](#)

[796382-2](#)