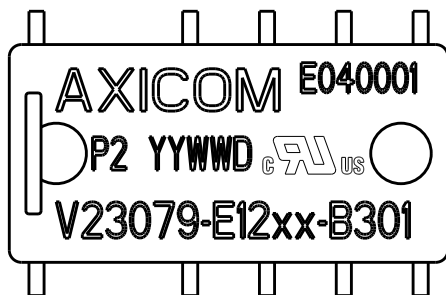
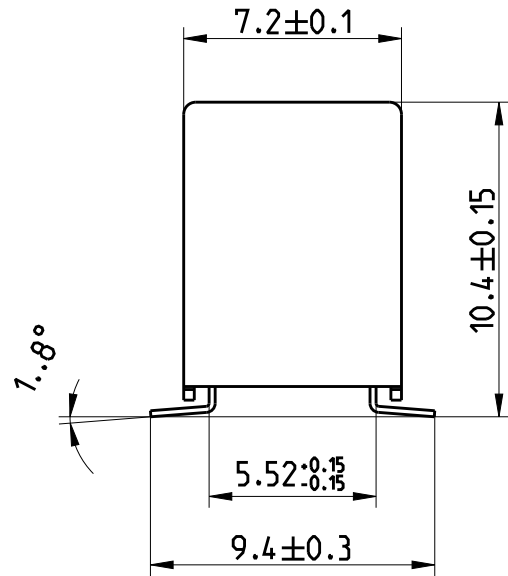
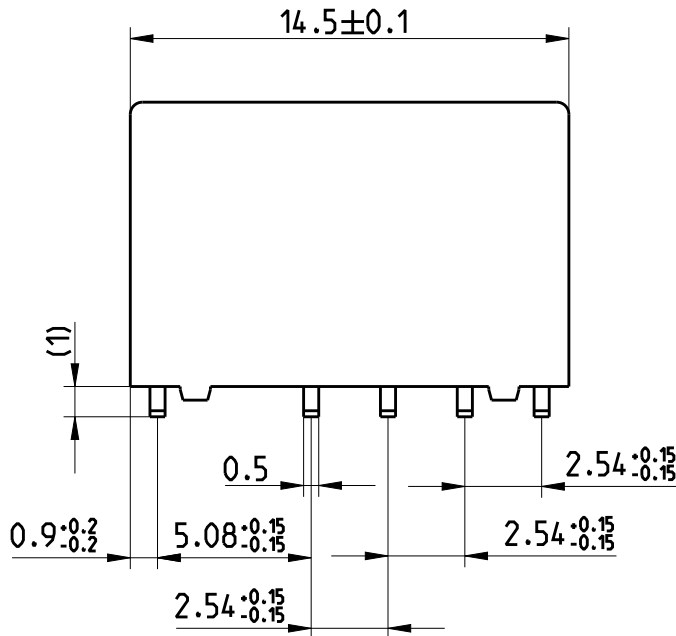
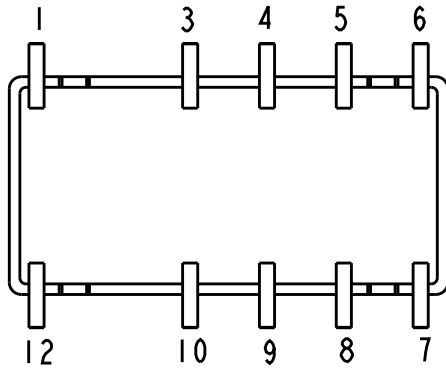


LOC	DIST	REVISIONS					
HJ	-	P	LTR	DESCRIPTION	DATE	DWN	APVD
		C3		ECR-16-015097	25-Oct-16	JK	PH



xx = Relay type  
YYWWD = Date code

DRAWING ALIAS C23303-A079-A004

2006

RELEASED FOR PUBLICATION

ALL RIGHTS RESERVED.

THIS DRAWING IS UNPUBLISHED.

© COPYRIGHT 2006

DIMENSIONS: mm	DWN Jan Kadlec	25-Oct-16	MATERIAL	-	FINISH	-	
	CHK Robert Kaspar	25-Oct-16	TE Connectivity				
TOLERANCES UNLESS OTHERWISE SPECIFIED: DIN 7168-m	APVD Petr Hofman	25-Oct-16					
0 PLC ±-	PRODUCT SPEC	-	NAME P2-Relay SMT W Dimensions				
1 PLC ±	APPLICATION SPEC	-					
2 PLC ±	WEIGHT	-	SIZE	A4	CAGE CODE	00779	
3 PLC ±		CUSTOMER DRAWING	DRAWING NO	C-1393788-7		RESTRICTED TO	-
4 PLC ±			SCALE	4:1	SHEET	1	OF
ANGLES ±-						REV	C3

# Mouser Electronics

Authorized Distributor

Click to View Pricing, Inventory, Delivery & Lifecycle Information:

[TE Connectivity:](#)

[V23079E1203B301](#) [V23079E1205B301](#) [V23079E1208B301](#) [V23079E1211B301](#) [V23079E1218B301](#)